



US00D752250S

(12) **United States Design Patent**
Rowlette, Jr. et al.

(10) **Patent No.:** **US D752,250 S**
(45) **Date of Patent:** **** Mar. 22, 2016**

(54) **LED LINEAR LAMP**

(71) Applicant: **Cree, Inc.**, Durham, NC (US)

(72) Inventors: **John R. Rowlette, Jr.**, Raleigh, NC (US); **David Power**, Morrisville, NC (US)

(73) Assignee: **Cree, Inc.**, Durham, NC (US)

(**) Term: **14 Years**

(21) Appl. No.: **29/492,950**

(22) Filed: **Jun. 4, 2014**

(51) **LOC (10) Cl.** **26-04**

(52) **U.S. Cl.**
USPC **D26/2**

(58) **Field of Classification Search**
USPC D26/1-4; 313/313, 315, 316, 317, 318, 313/493; 315/52, 53, 56, 57, 58
See application file for complete search history.

(56) **References Cited**

U.S. PATENT DOCUMENTS

D506,274 S *	6/2005	Moriyama et al.	D26/3
D576,749 S *	9/2008	Kitagawa et al.	D26/3
D611,172 S *	3/2010	Lin et al.	D26/3
D636,504 S *	4/2011	Duster	D26/3
D687,579 S	8/2013	Lu et al.		
D687,580 S	8/2013	Reier et al.		
D688,391 S	8/2013	Huang et al.		
D691,761 S	10/2013	Pratt et al.		
D693,948 S	11/2013	Reier et al.		
D702,375 S	4/2014	Pickard et al.		

OTHER PUBLICATIONS

U.S. Appl. No. 29/434,289, filed Oct. 11, 2012.

(Continued)

Primary Examiner — Marcus Jackson

(74) *Attorney, Agent, or Firm* — Dennis J. Williamson; Moore & Van Allen PLLC

(57) **CLAIM**

We claim the ornamental designs for a LED linear lamp, as shown and described.

DESCRIPTION

FIG. 1 is a front view showing an embodiment of our new design for a LED linear lamp, the back view being identical to the front view of FIG. 1;

FIG. 2 is a bottom view showing our new design shown in FIG. 1;

FIG. 3 is a top view showing our new design shown in FIG. 1;

FIG. 4 is a right side view showing our new design shown in FIG. 1, the left side view being identical to the right side view of FIG. 4;

FIG. 5 is a perspective view showing our new design shown in FIG. 1;

FIG. 6 is a front view showing another embodiment of our new design for a LED linear lamp, the back view being identical to the front view of FIG. 6;

FIG. 7 is a bottom view showing our new design shown in FIG. 6;

FIG. 8 is a top view showing our new design shown in FIG. 6;

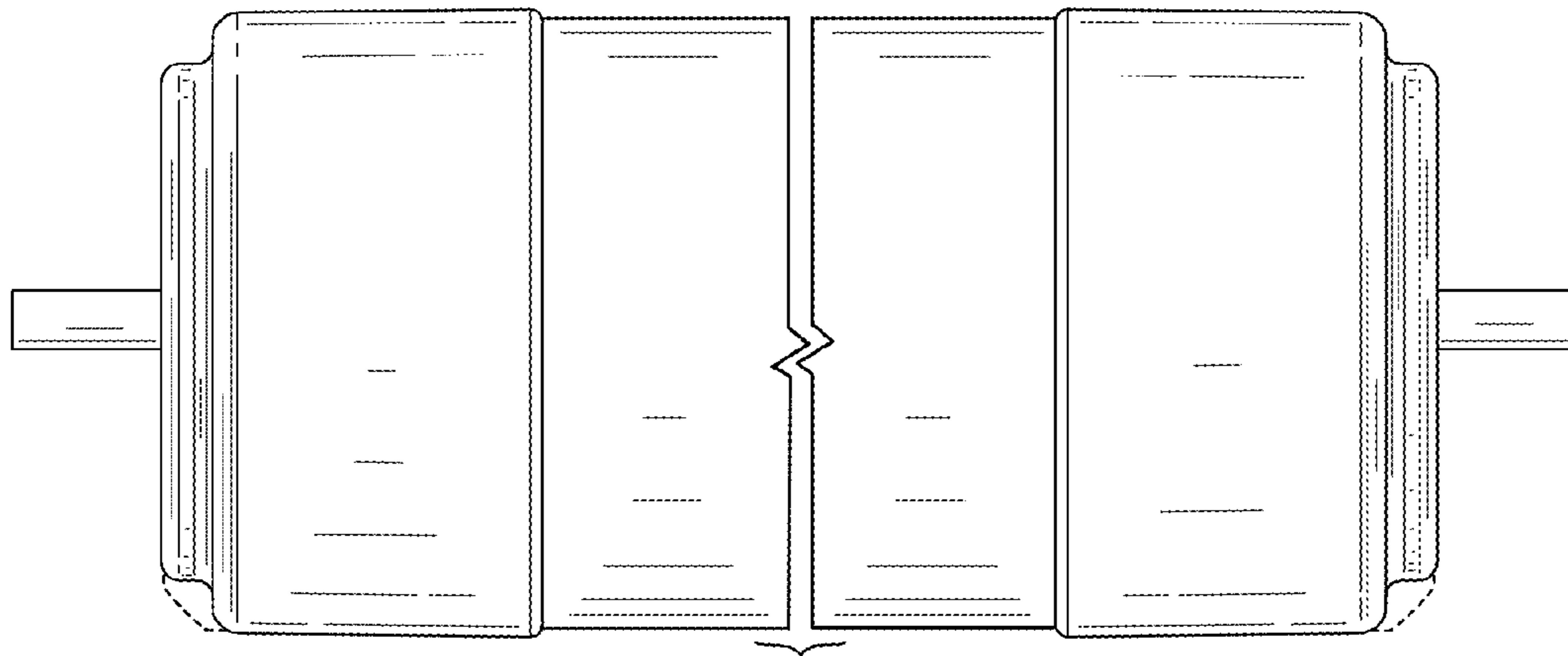
FIG. 9 is a right side view showing our new design shown in FIG. 6, the left side view being identical to the right side view of FIG. 9; and,

FIG. 10 is a perspective view showing our new design shown in FIG. 6.

The portions shown in broken lines are not part of the claimed design but show the environment in which the design is associated.

The separations and brackets of the elongated tube are used to better show the design for the portions of the LED linear lamp that are illustrated. The appearance of any portion of the article between the break lines forms no part of the claimed design.

1 Claim, 6 Drawing Sheets



(56)

References Cited

OTHER PUBLICATIONS

U.S. Appl. No. 29/435,254, filed Oct. 22, 2012.
U.S. Appl. No. 29/484,541, filed Mar. 11, 2014.
U.S. Appl. No. 29/452,550, filed Apr. 18, 2013.
U.S. Appl. No. 29/489,654, filed May 1, 2014.
U.S. Appl. No. 29/491,583, filed May 22, 2014.

U.S. Appl. No. 29/492,058, filed May 28, 2014.
U.S. Appl. No. 29/499,296, filed Aug. 13, 2014.
U.S. Appl. No. 29/492,459, filed May 30, 2014.
U.S. Appl. No. 29/513,980, filed Jan. 7, 2015.
U.S. Appl. No. 29/498,768, filed Aug. 7, 2014.
U.S. Appl. No. 29/511,241, filed Dec. 9, 2014.

* cited by examiner

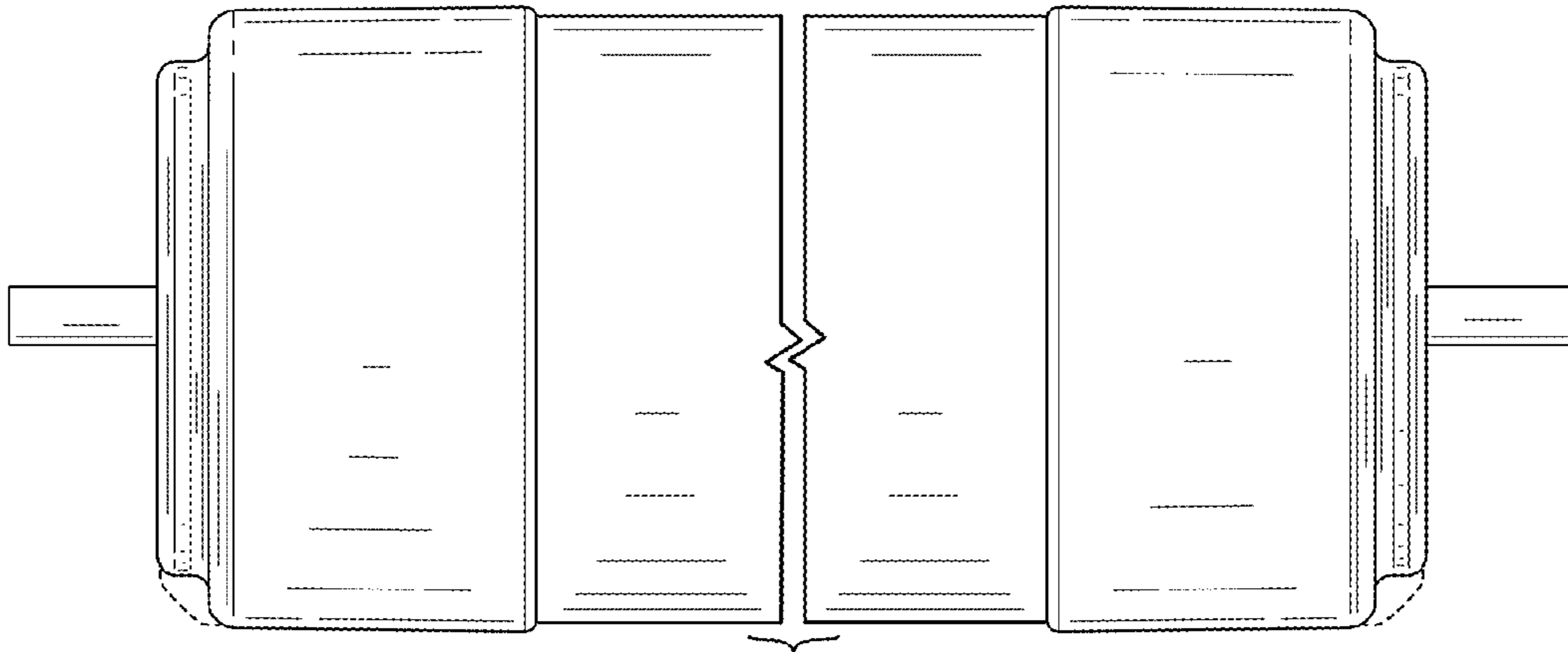


FIG. 1

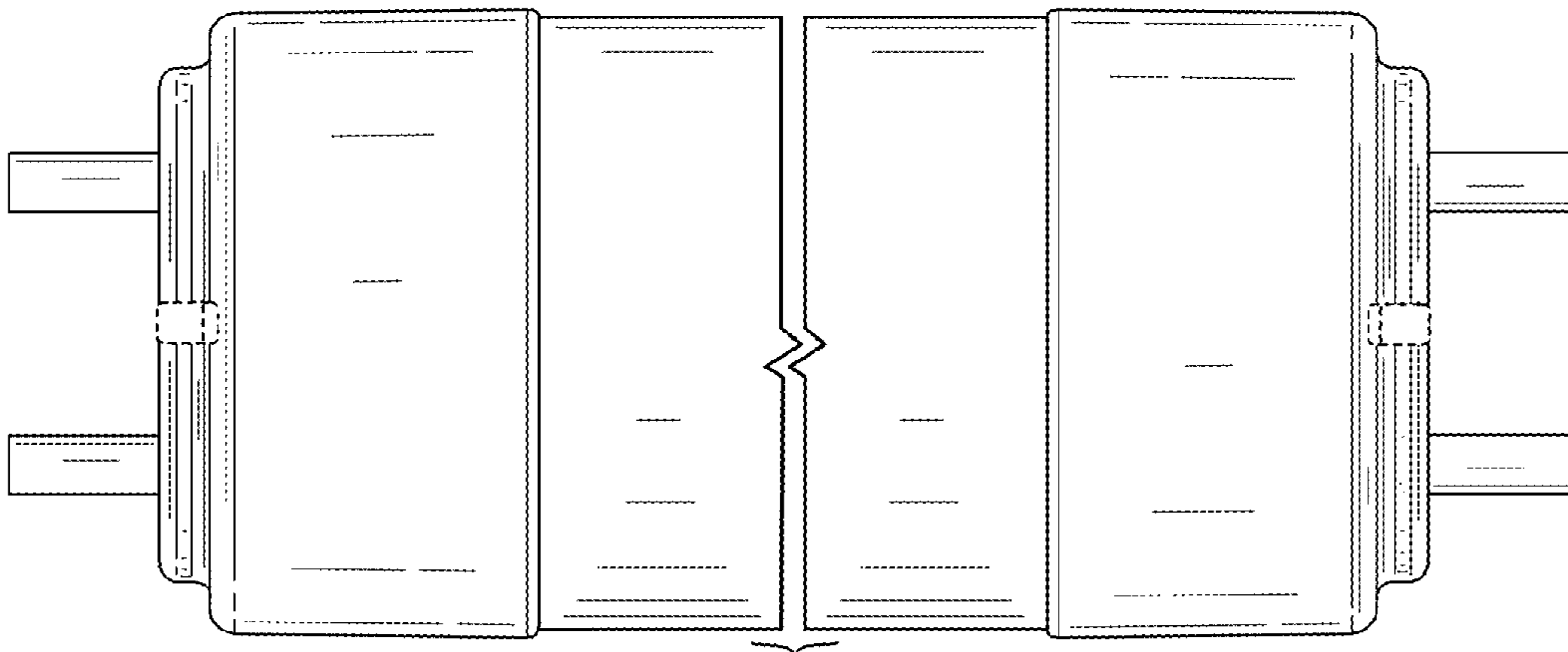


FIG. 2

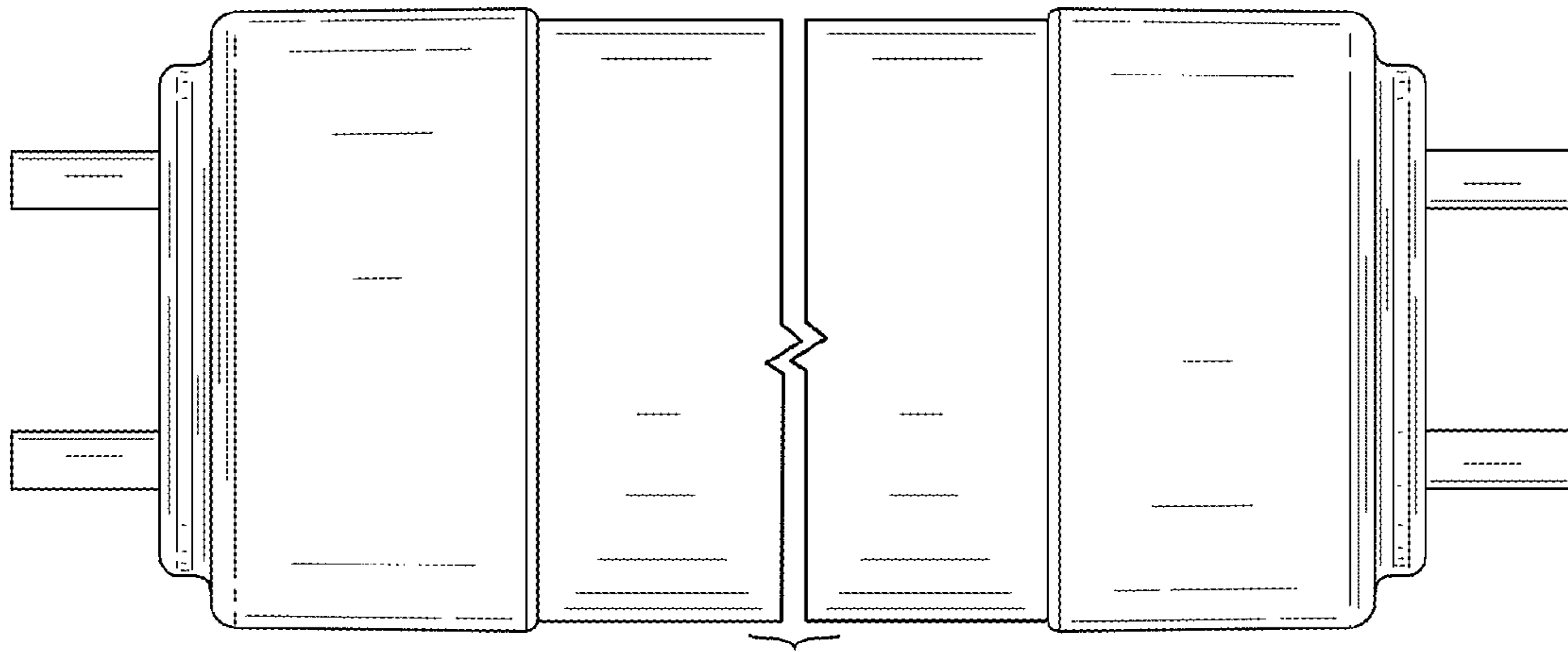


FIG. 3

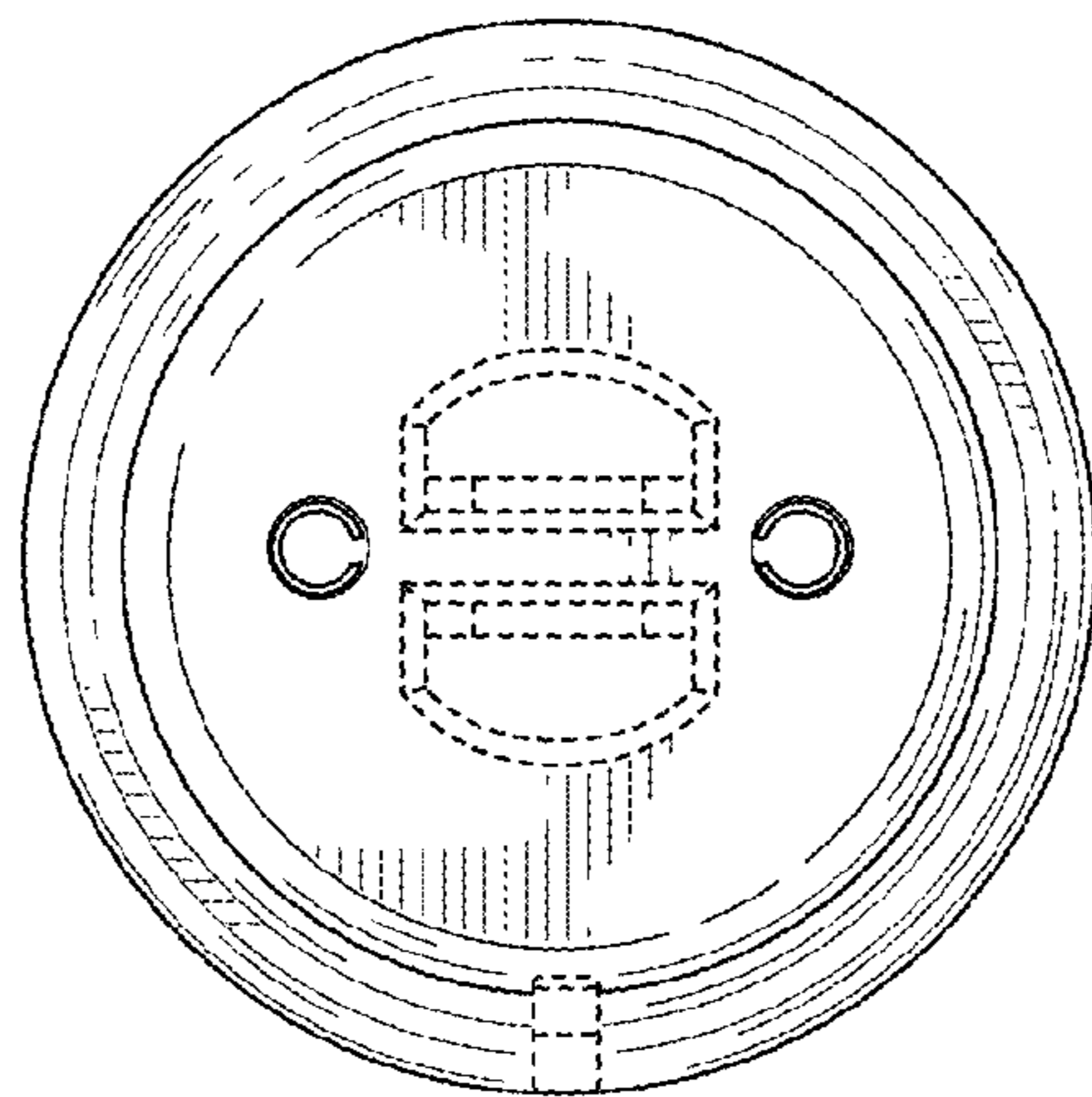


FIG. 4

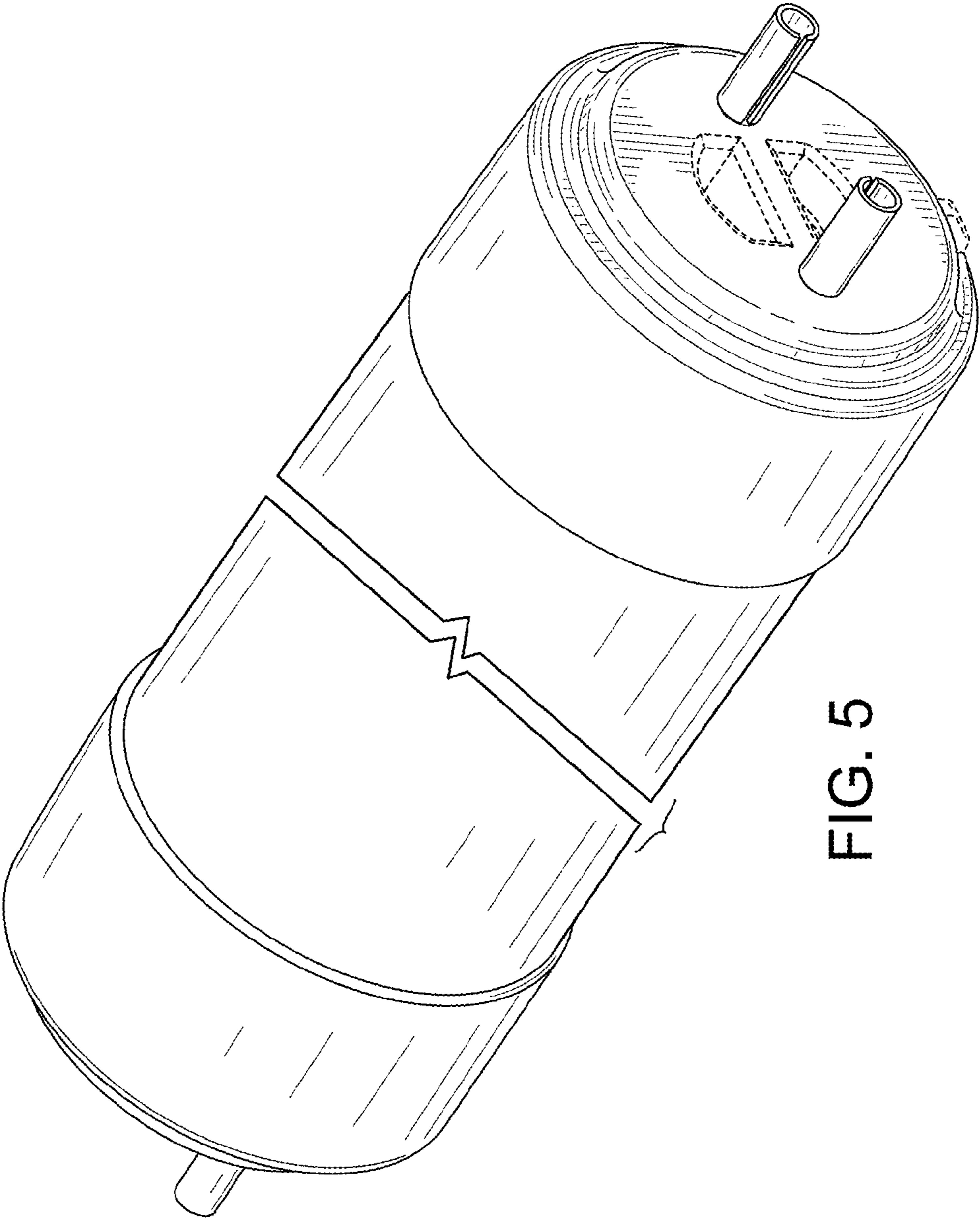


FIG. 5

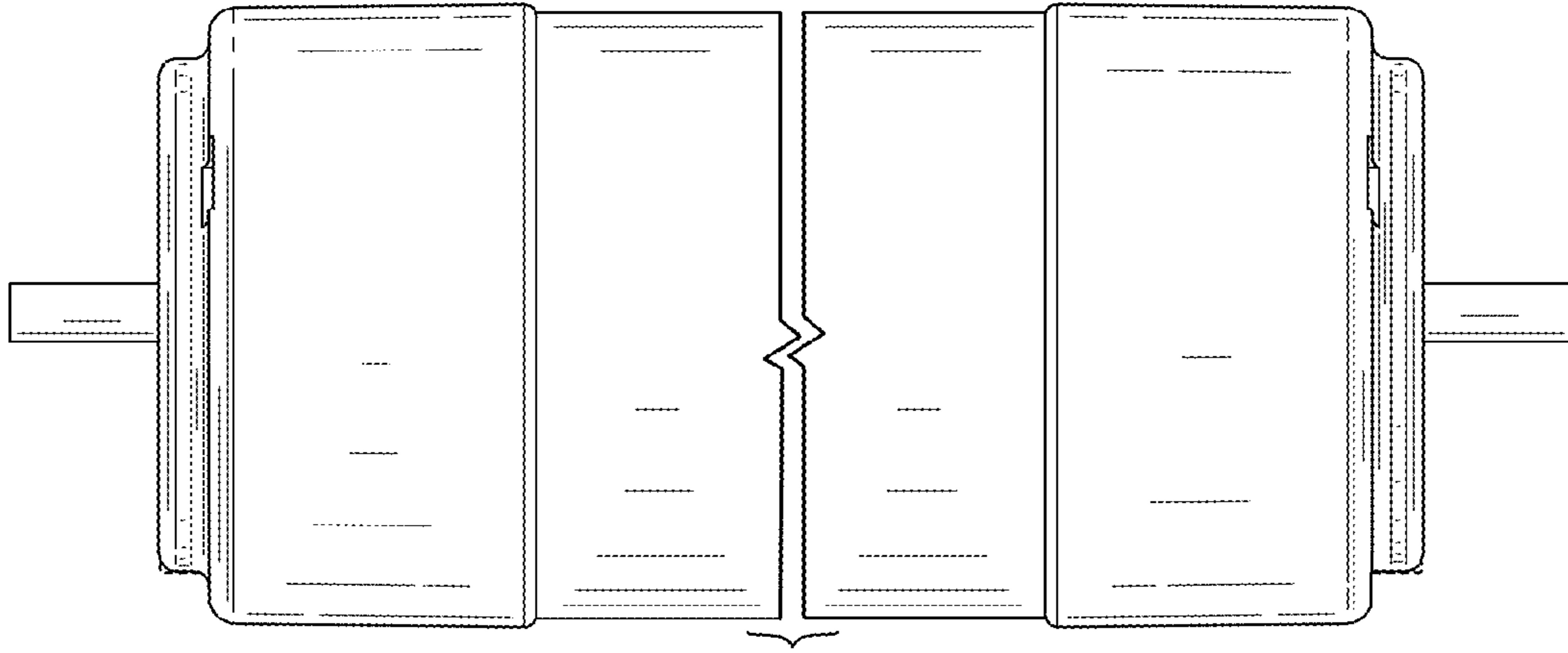


FIG. 6

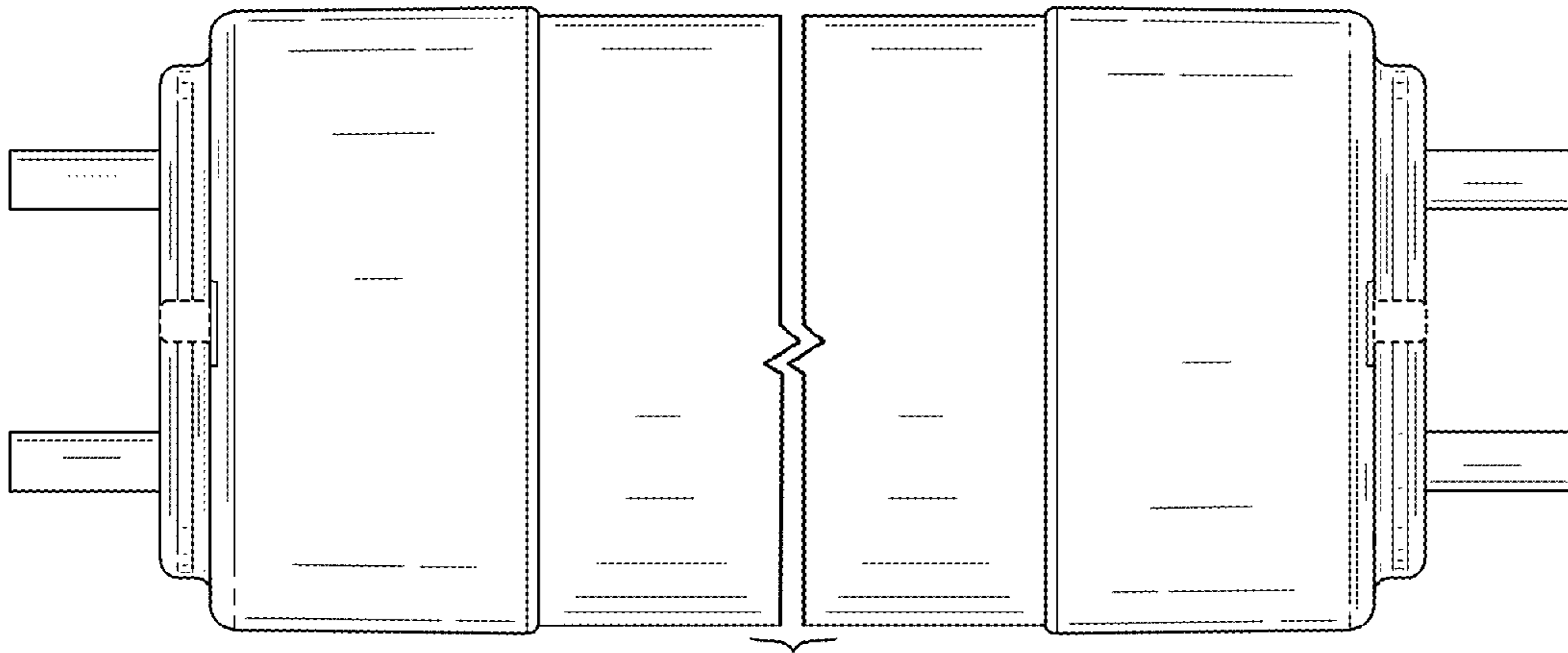


FIG. 7

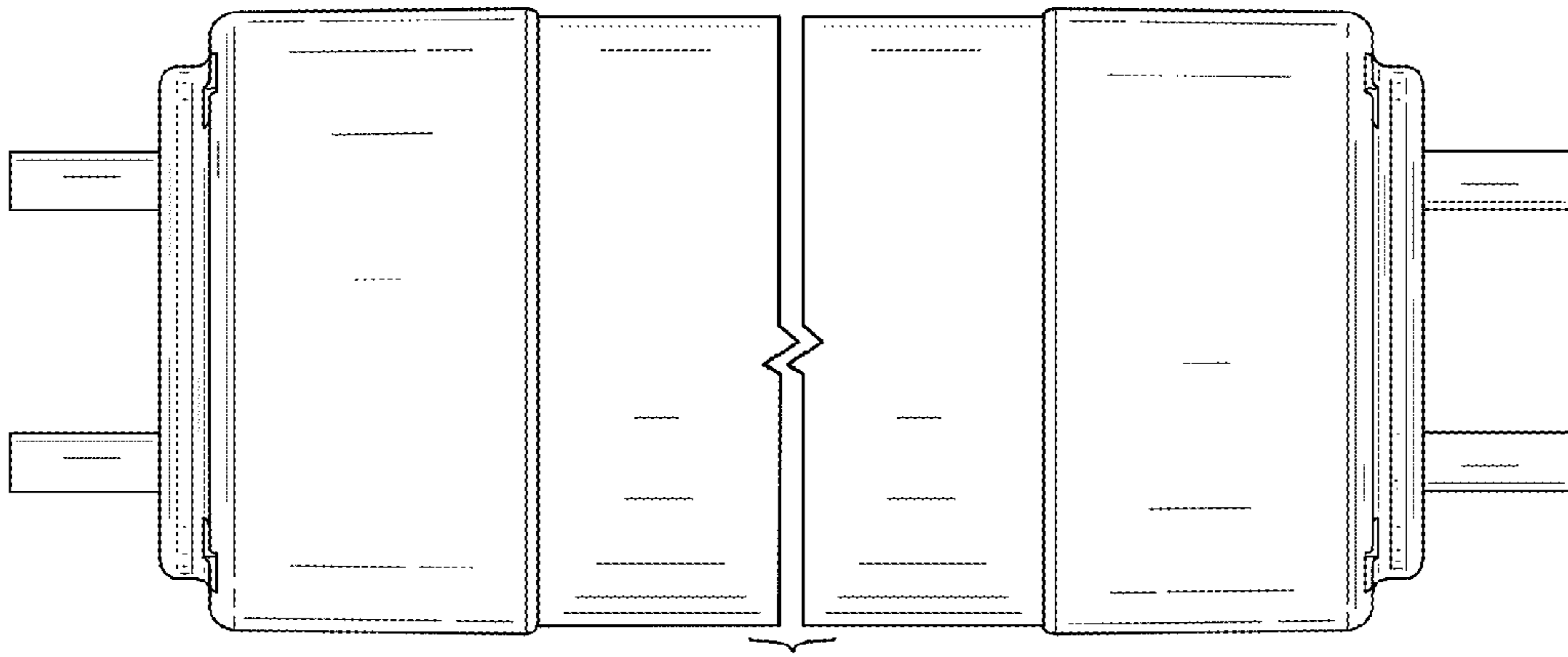


FIG. 8

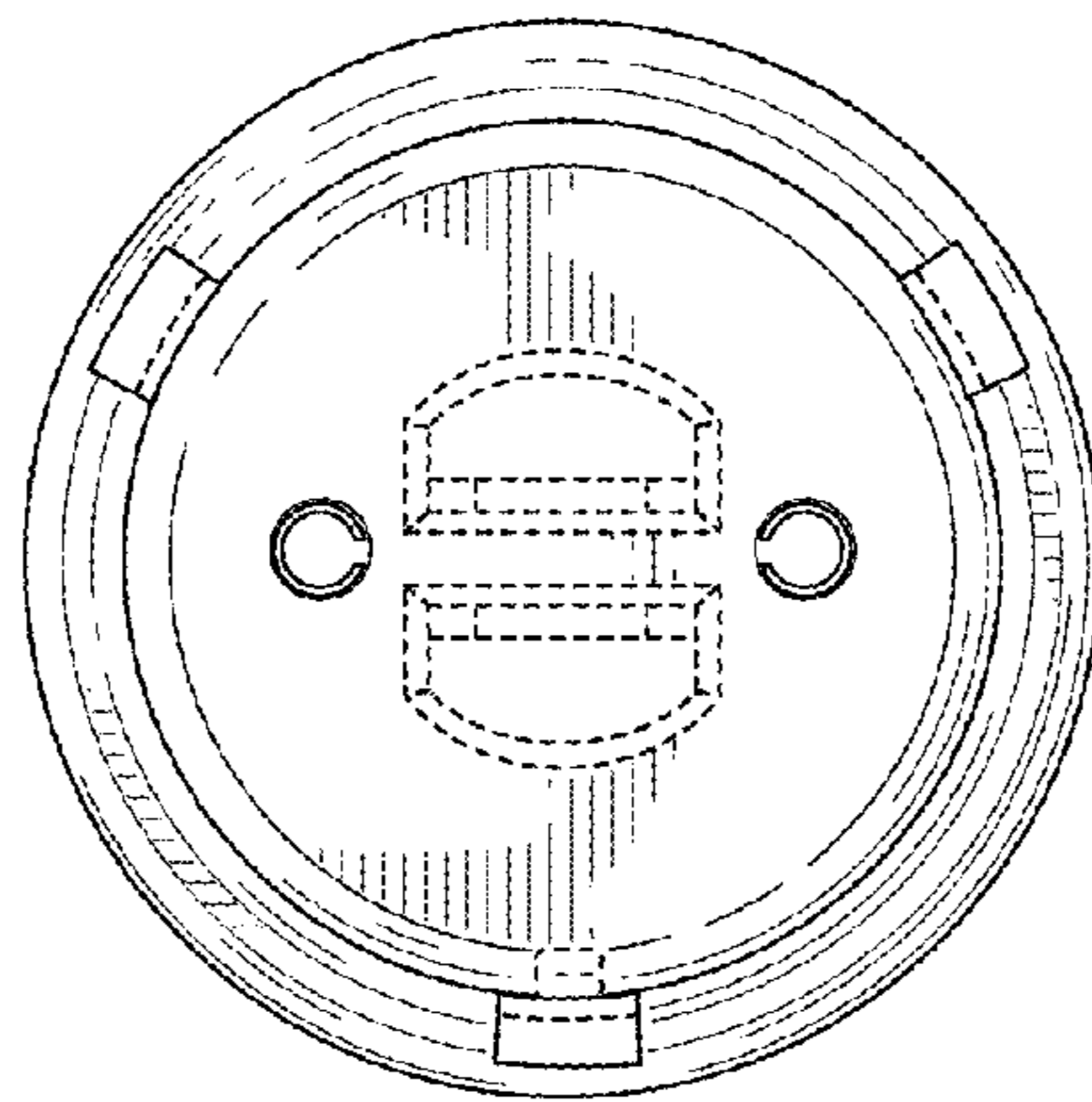


FIG. 9

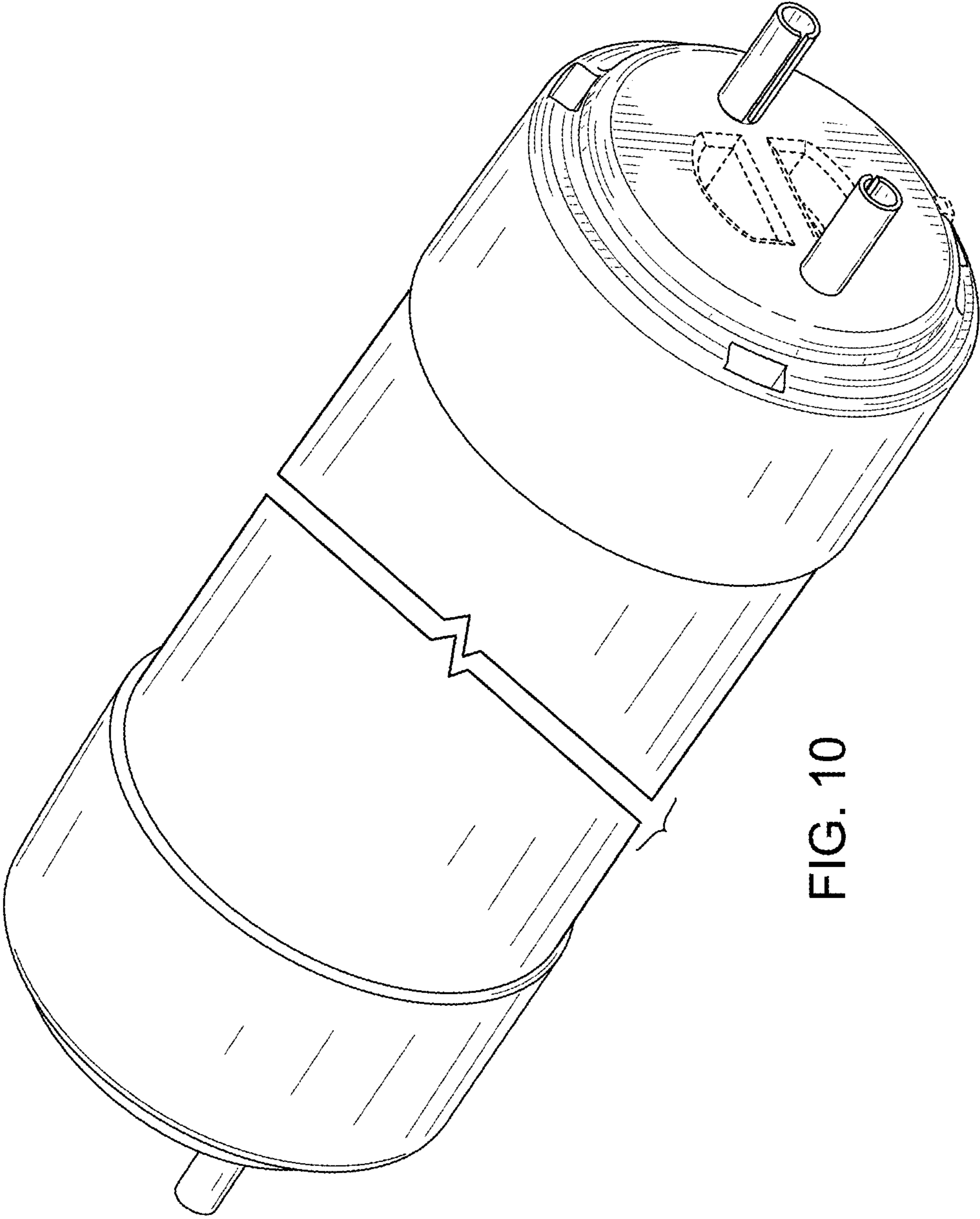


FIG. 10