



US00D752249S

(12) **United States Design Patent**
Shen et al.

(10) **Patent No.:** **US D752,249 S**
(45) **Date of Patent:** **** Mar. 22, 2016**

(54) **LIGHT EMITTING DIODE**
(71) Applicant: **Epistar Corporation**, Hsinchu (TW)
(72) Inventors: **Chien-Fu Shen**, Hsinchu (TW);
Tsun-Kai Ko, Yongkang (TW);
Schang-Jing Hon, Taichung (TW)

D559,802 S * 1/2008 Hsu D13/180
D599,802 S 9/2009 Matsumoto et al.
D618,637 S * 6/2010 Liu D13/180
D619,976 S * 7/2010 Liu D13/180
D622,678 S * 8/2010 Hsieh D13/180
D627,647 S * 11/2010 Li D9/456
D627,747 S 11/2010 Chu et al.
D688,819 S 8/2013 Shen et al.

(73) Assignee: **EPISTAR CORPORATION**, Hsinchu (TW)

* cited by examiner

(**) Term: **14 Years**

Primary Examiner — Marcus Jackson

(21) Appl. No.: **29/503,707**

(74) *Attorney, Agent, or Firm* — Ditthavong & Steiner, P.C.

(22) Filed: **Sep. 29, 2014**

(57) **CLAIM**

The ornamental design for a light emitting diode, as shown and described.

Related U.S. Application Data

DESCRIPTION

(60) Division of application No. 29/434,961, filed on Oct. 16, 2012, now Pat. No. Des. 715,970, which is a division of application No. 29/398,875, filed on Aug. 5, 2011, now Pat. No. Des. 688,819, which is a continuation of application No. 29/367,759, filed on Aug. 12, 2010, now Pat. No. Des. 644,188.

FIG. 1 is a perspective view of the first embodiment showing the claimed design;

(51) **LOC (10) Cl.** **26-04**

FIG. 2 is a front elevational view of FIG. 1;

(52) **U.S. Cl.**
USPC **D26/1; D13/180**

FIG. 3 is a rear elevational view of FIG. 1;

(58) **Field of Classification Search**
USPC D26/1; D13/180; 313/313, 315, 316,
313/317, 318, 493; 315/52, 53, 56, 57, 58
CPC H01J 5/48; H01J 5/50; H01J 19/54;
F21V 5/00
See application file for complete search history.

FIG. 4 is a left side elevational view of FIG. 1;

FIG. 5 is a right side elevational view of FIG. 1;

FIG. 6 is a top plan view of FIG. 1;

FIG. 7 is a bottom plan view of FIG. 1;

FIG. 8 is a perspective view of the second embodiment showing the claimed design;

FIG. 9 is a front elevational view of FIG. 8;

FIG. 10 is a rear elevational view of FIG. 8;

FIG. 11 is a left side elevational view of FIG. 8;

FIG. 12 is a right side elevational view of FIG. 8;

FIG. 13 is a top plan view of FIG. 8; and,

FIG. 14 is a bottom plan view of FIG. 8.

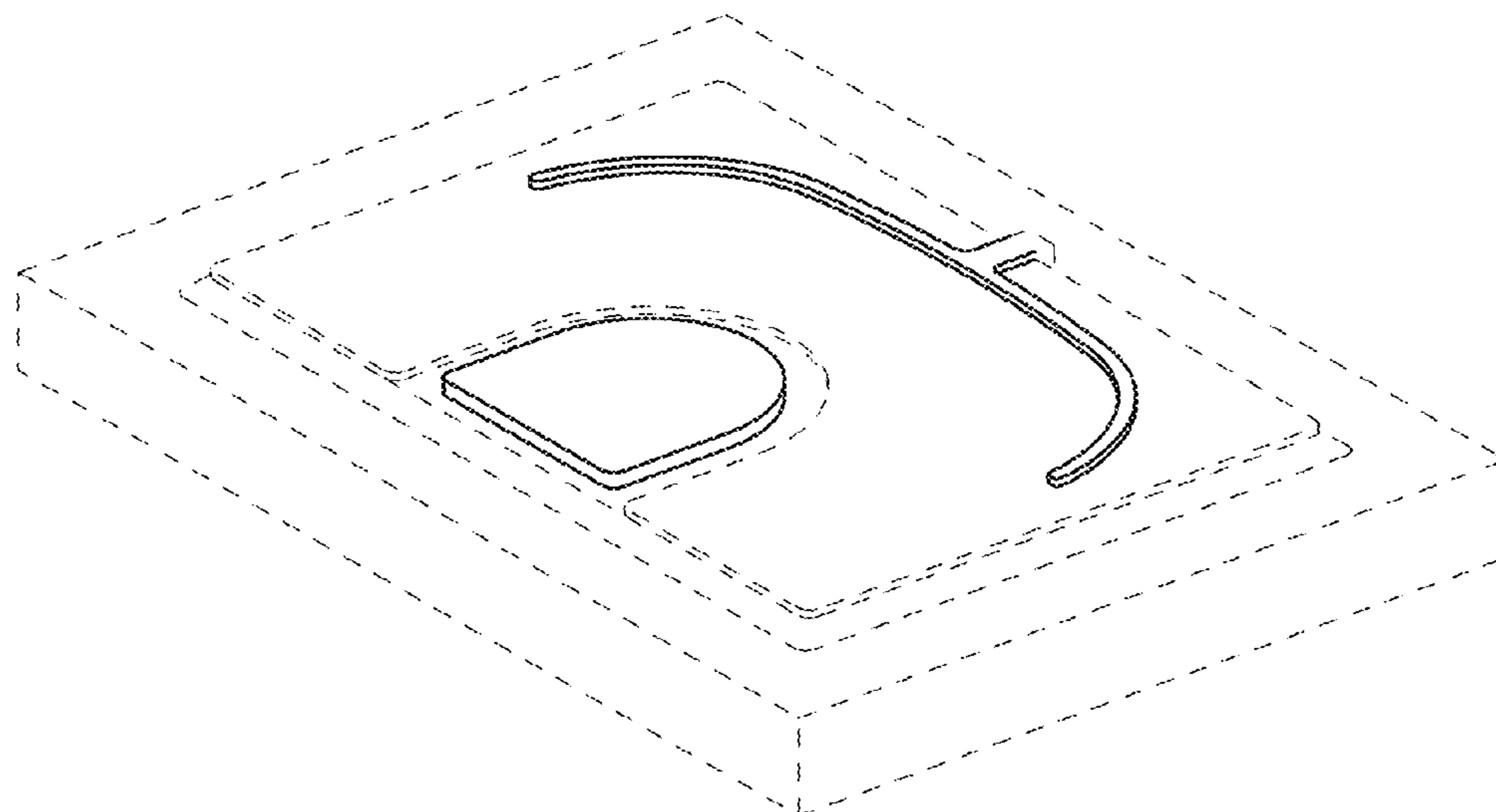
The broken lines are directed to environment and are provided for illustrative purpose only; the broken lines form no part of the claimed design.

(56) **References Cited**

U.S. PATENT DOCUMENTS

D494,288 S * 8/2004 Matsui D13/180
D515,517 S * 2/2006 Matsui D13/180

1 Claim, 8 Drawing Sheets



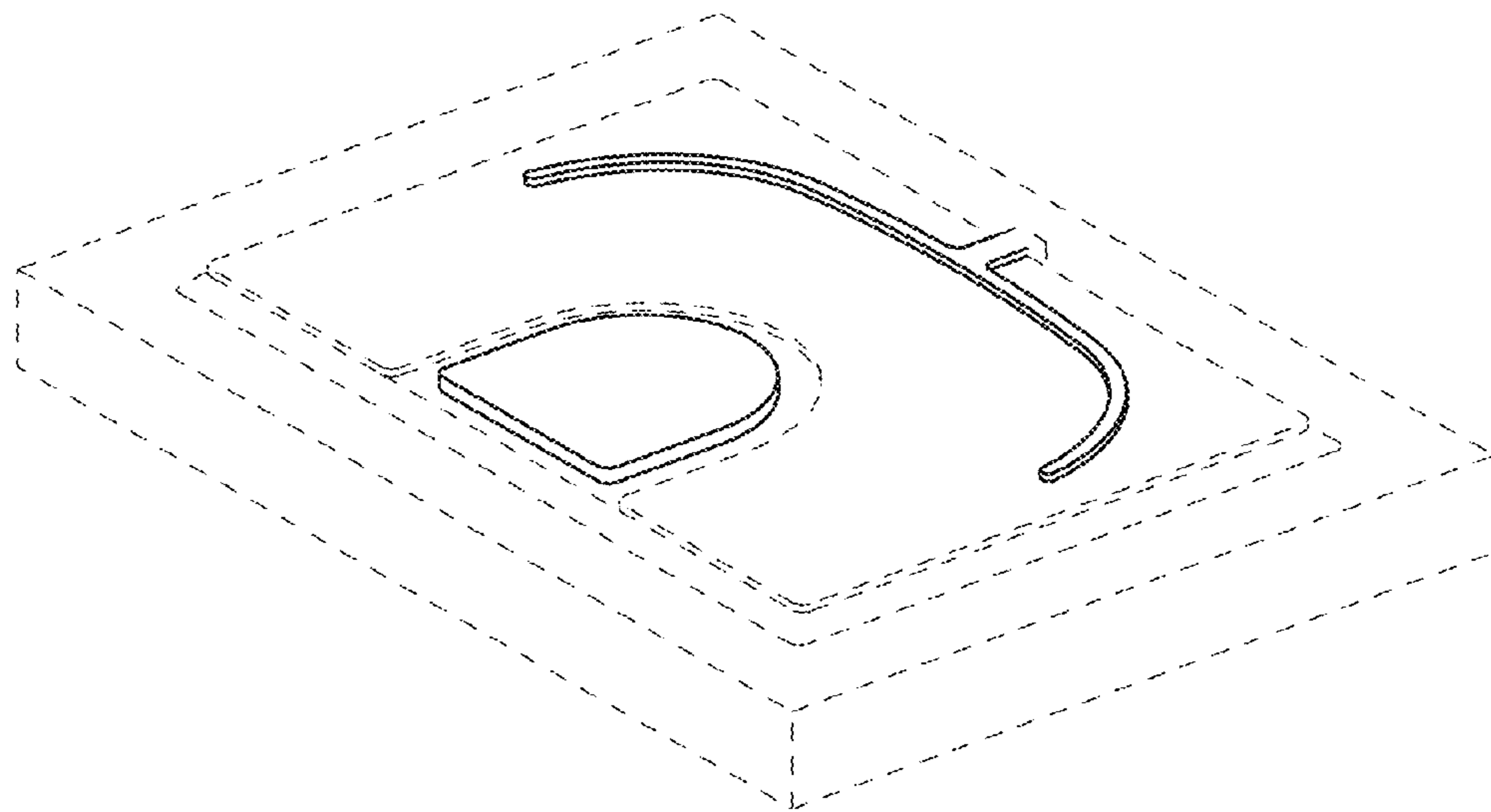


FIG. 1

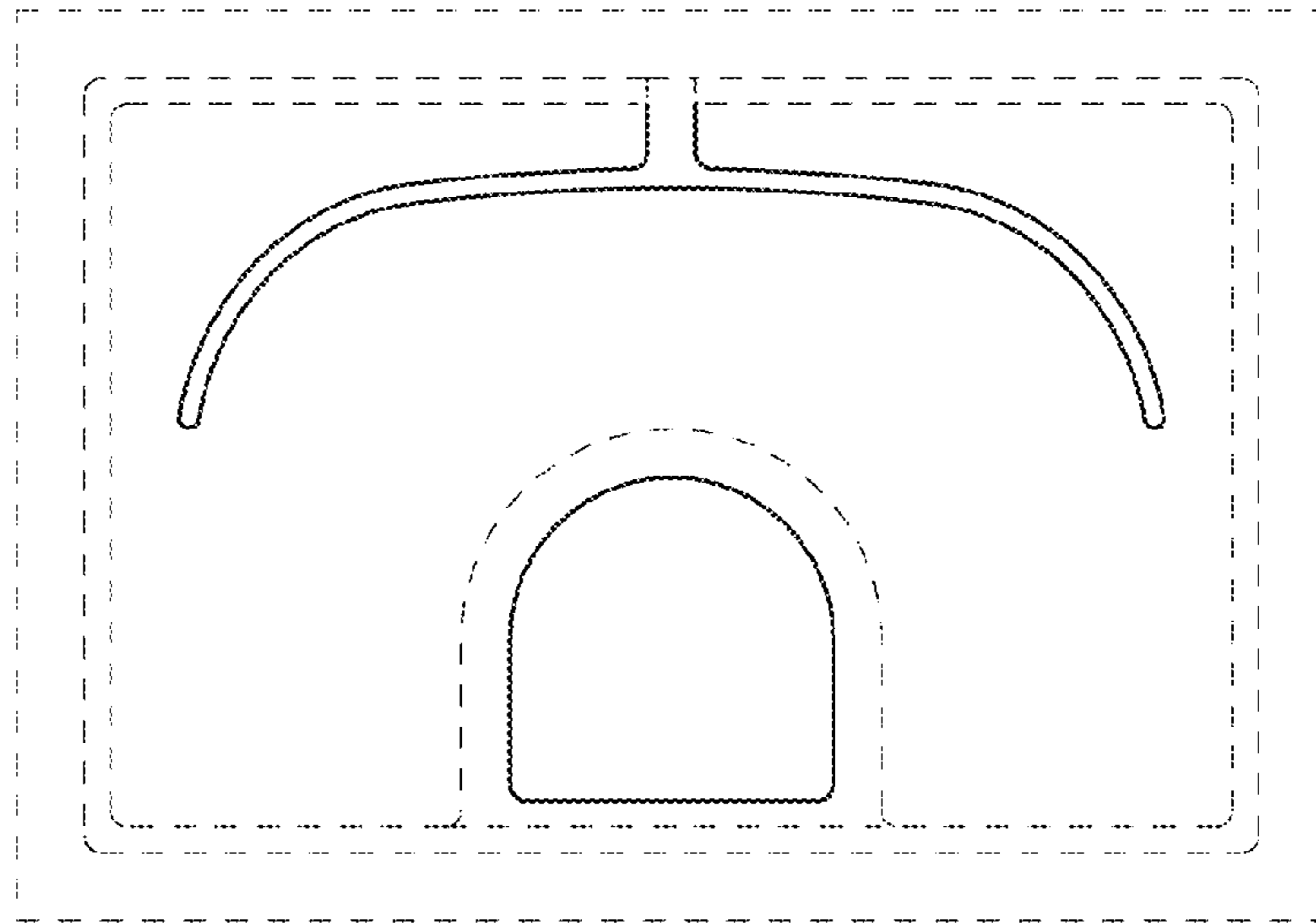


FIG. 2



FIG. 3

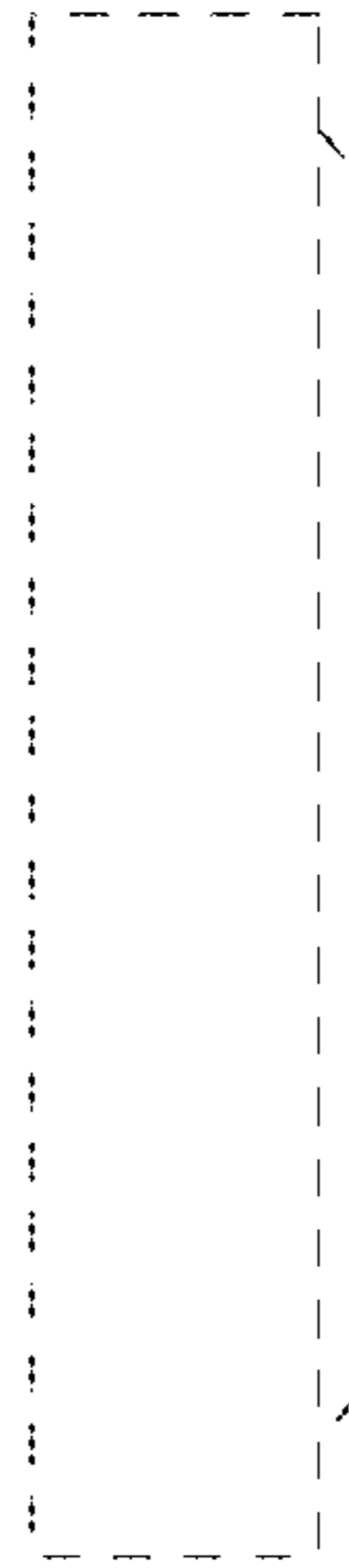


FIG. 4

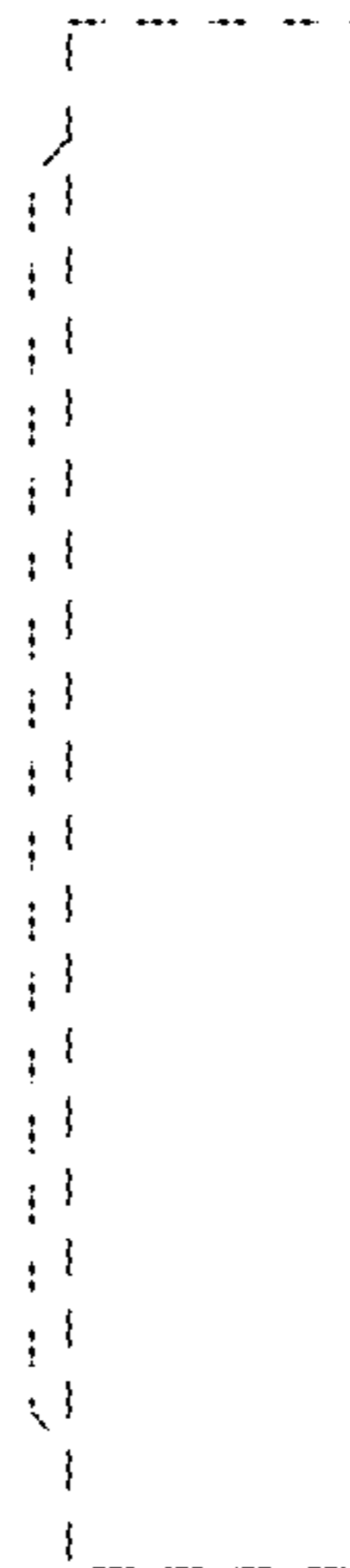


FIG. 5

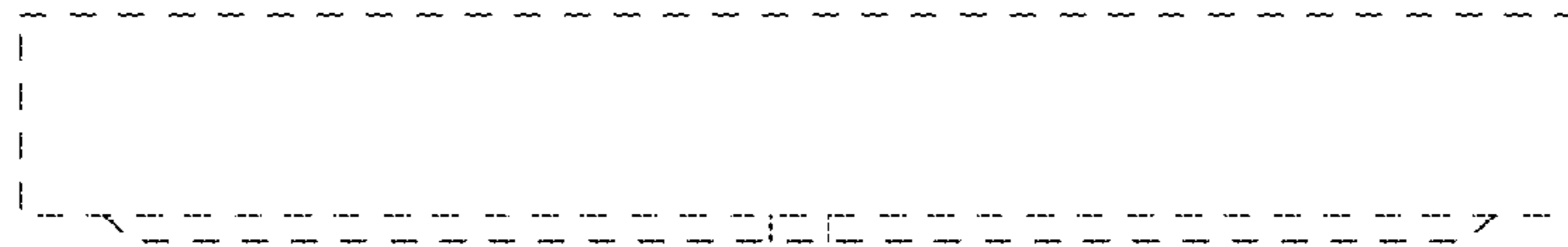


FIG. 6

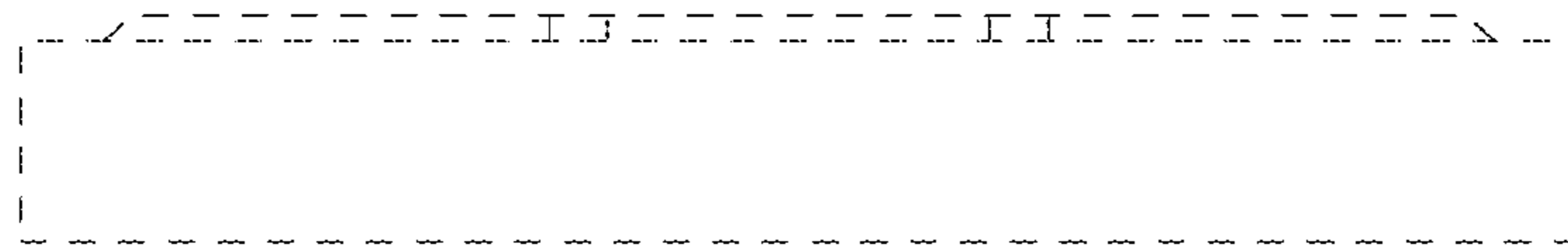


FIG. 7

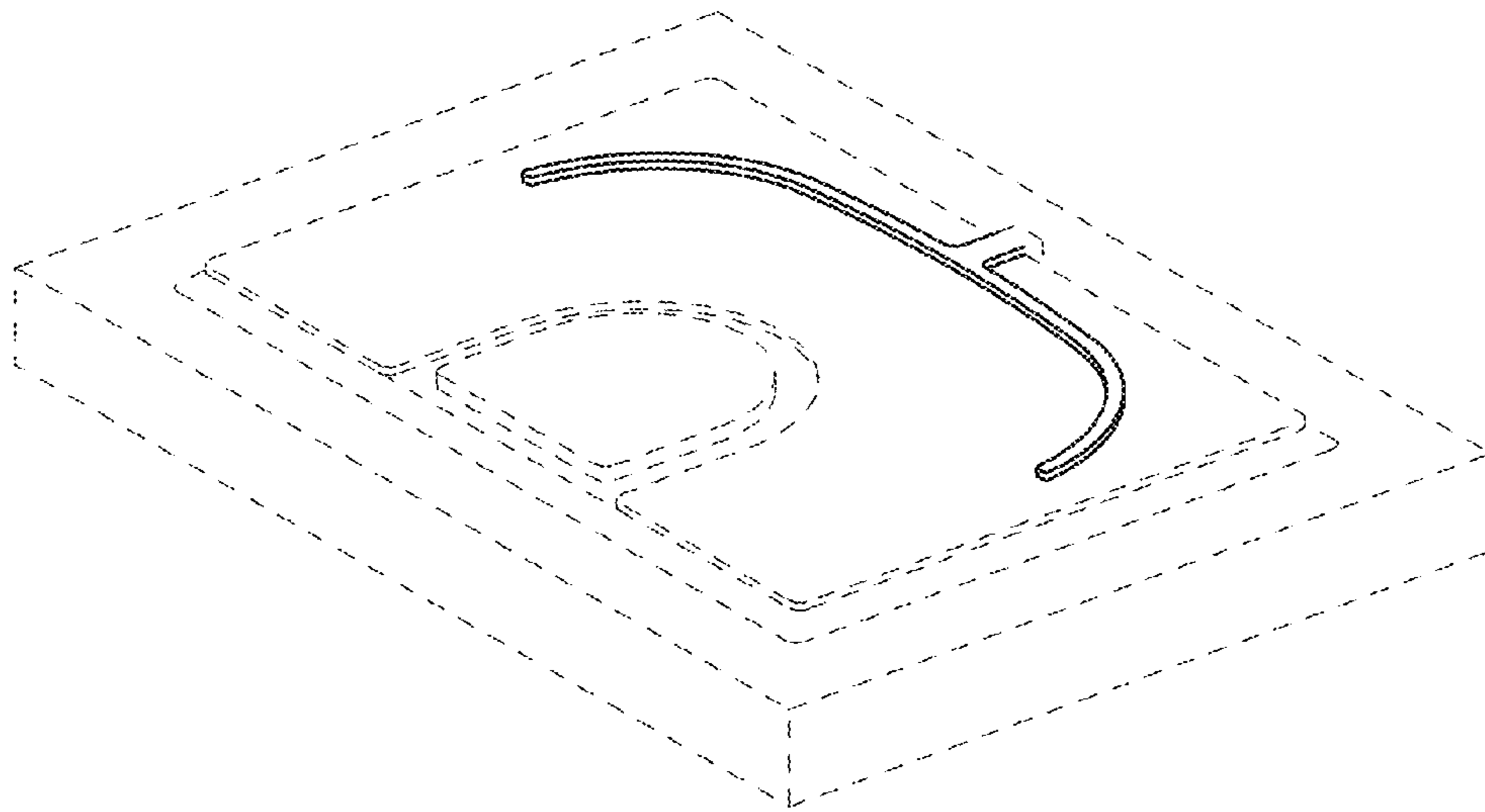


FIG. 8

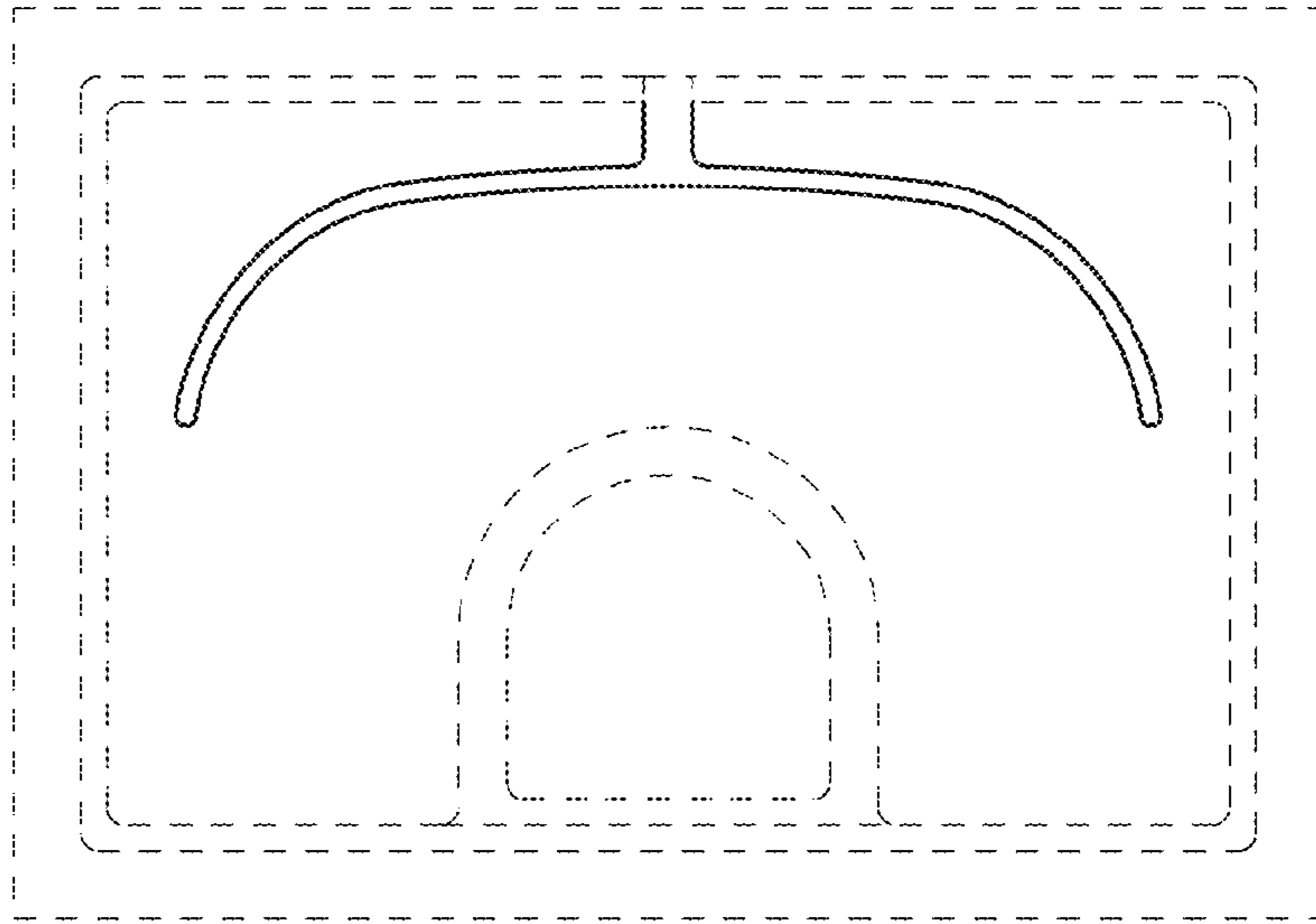


FIG. 9

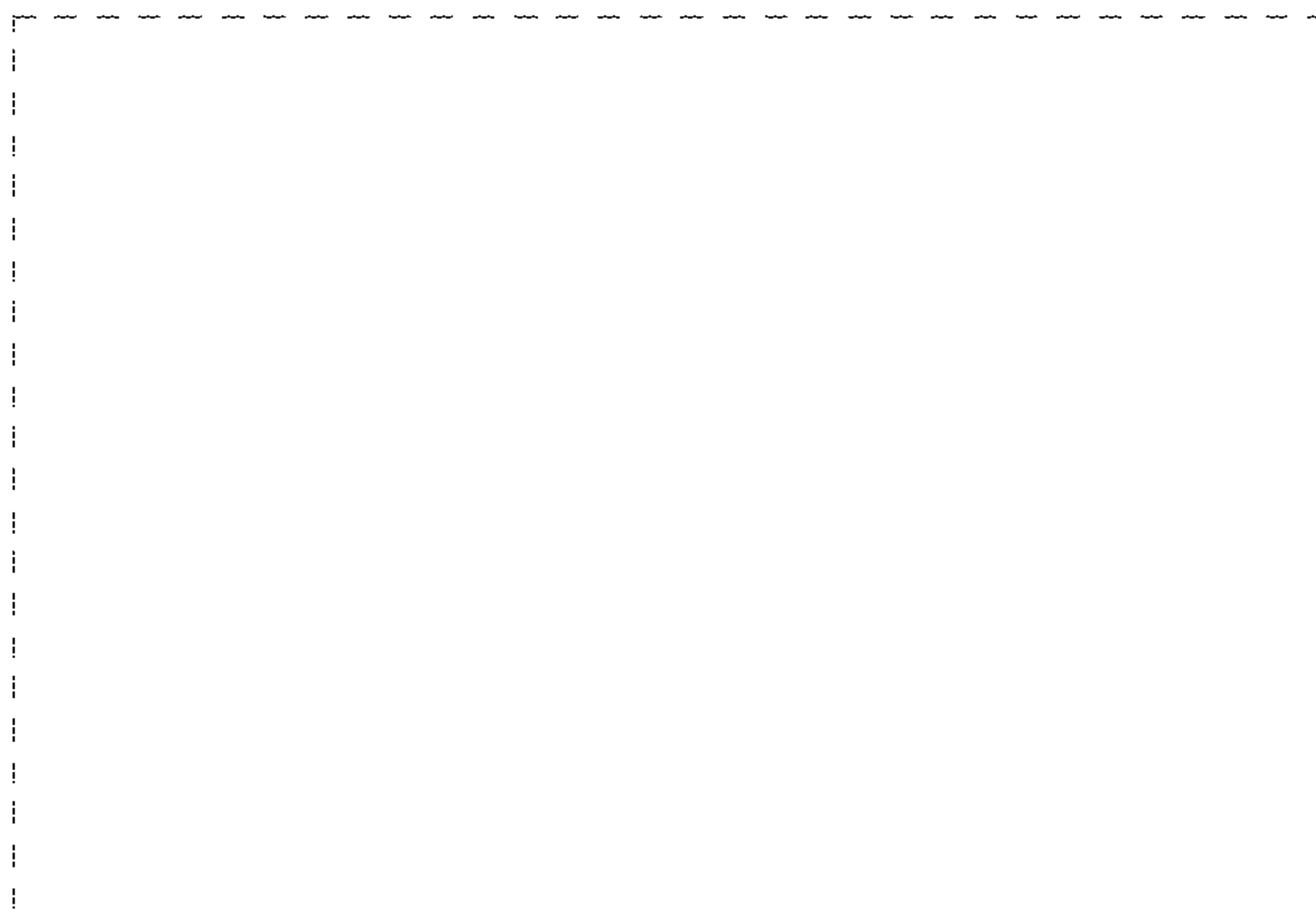


FIG. 10



FIG. 11

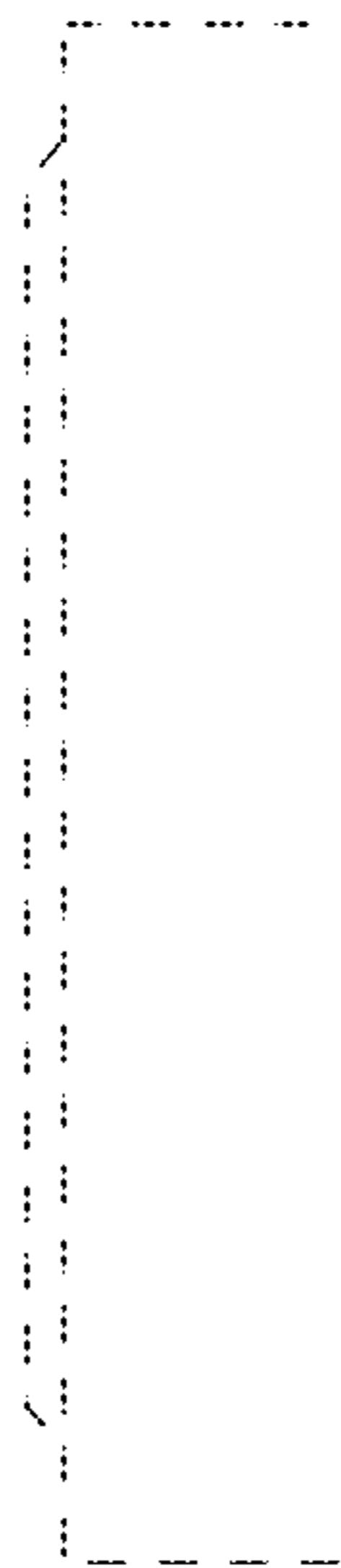


FIG. 12



FIG. 13

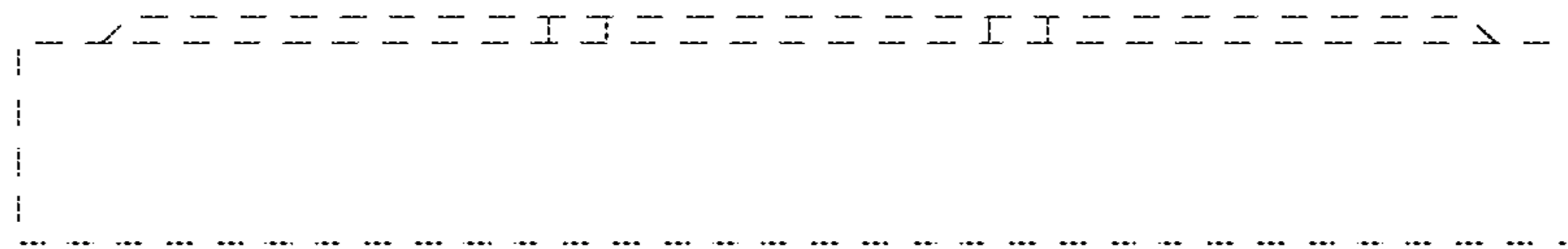


FIG. 14