



US00D752248S

(12) **United States Design Patent**
Kopp et al.

(10) **Patent No.:** **US D752,248 S**
(45) **Date of Patent:** **** Mar. 22, 2016**

(54) **LANDSCAPE EDGING**

(71) Applicant: **Suncast Technologies, LLC**, Palm Beach Gardens, FL (US)

(72) Inventors: **Robert G. Kopp**, Elburn, IL (US);
Michael R. Vogler, Oswego, IL (US)

(73) Assignee: **Suncast Technologies, LLC**, Palm Beach Gardens, FL (US)

(**) Term: **14 Years**

(21) Appl. No.: **29/480,366**

(22) Filed: **Jan. 24, 2014**

(51) **LOC (10) Cl.** **25-01**

(52) **U.S. Cl.**
USPC **D25/164**

(58) **Field of Classification Search**
USPC D5/1, 2, 3, 44, 58, 60, 99; D6/332;
D25/58, 113, 114, 115, 136, 138, 139,
D25/140–144, 153, 156, 157, 159, 163, 164,
D25/199
CPC E04B 1/62; E04B 1/68; E04B 2/08;
E04B 2/18; E04B 2/28; E04B 2/30; E04B
2002/0215; E04B 2002/0297; E04C 5/04;
E06B 9/01
See application file for complete search history.

(56) **References Cited**

U.S. PATENT DOCUMENTS

D448,859 S * 10/2001 Doman D25/113
D448,861 S * 10/2001 Daniels et al. D25/113

6,944,998 B1 * 9/2005 King 52/314
D557,428 S * 12/2007 Doman D25/113
D570,499 S * 6/2008 Vogler D25/112
D646,403 S * 10/2011 MacDonald D25/113
D653,356 S * 1/2012 MacDonald D25/113
D662,223 S * 6/2012 Fuller et al. D25/112
D674,510 S * 1/2013 Riccobene D25/113
D680,233 S * 4/2013 Riccobene D25/113
D680,663 S * 4/2013 Riccobene D25/113
D680,664 S * 4/2013 Riccobene D25/113
2009/0293377 A1 * 12/2009 Doman 52/102
2014/0290132 A1 * 10/2014 Bent 47/33

* cited by examiner

Primary Examiner — Eric Goodman

Assistant Examiner — Amy Wierenga

(74) *Attorney, Agent, or Firm* — McHale & Slavin, P.A.

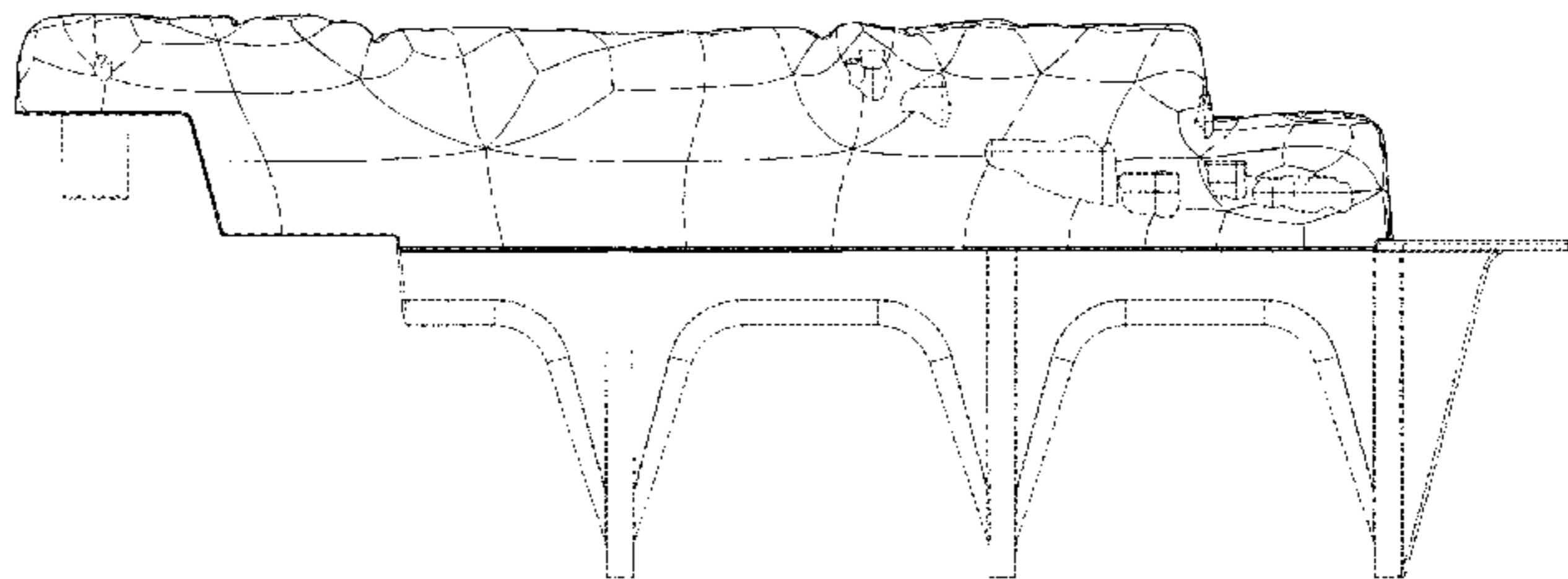
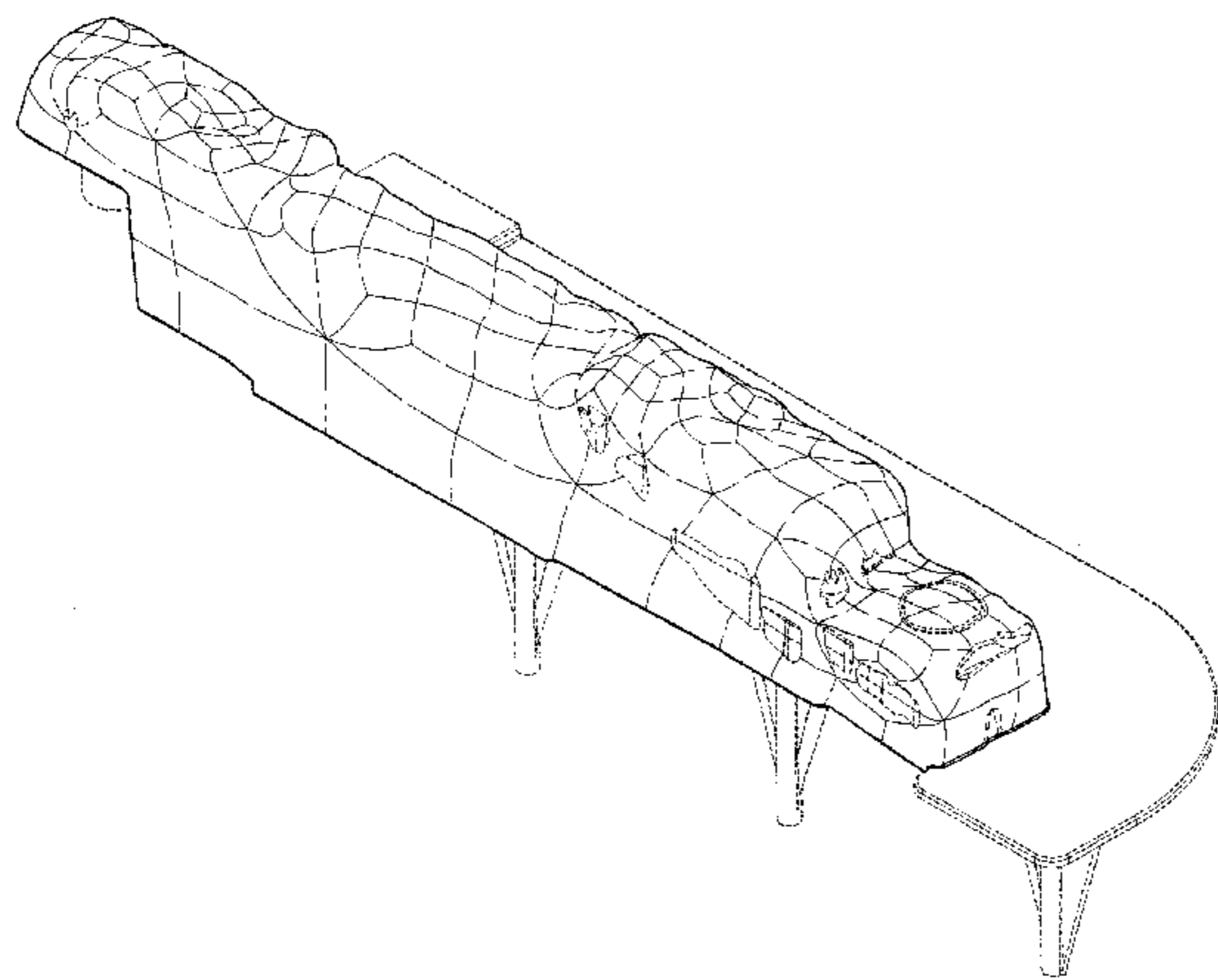
(57) **CLAIM**

The ornamental design for a landscape edging, as shown and described.

DESCRIPTION

FIG. 1 is a top right perspective view of the landscape edging of the present invention;
FIG. 2 is a top front perspective view thereof;
FIG. 3 is a front view thereof;
FIG. 4 is a top view thereof;
FIG. 5 is a left side view thereof; and,
FIG. 6 is a right side view thereof.
The broken lines depict portions of the landscape edging that form no part of the claimed design.

1 Claim, 5 Drawing Sheets



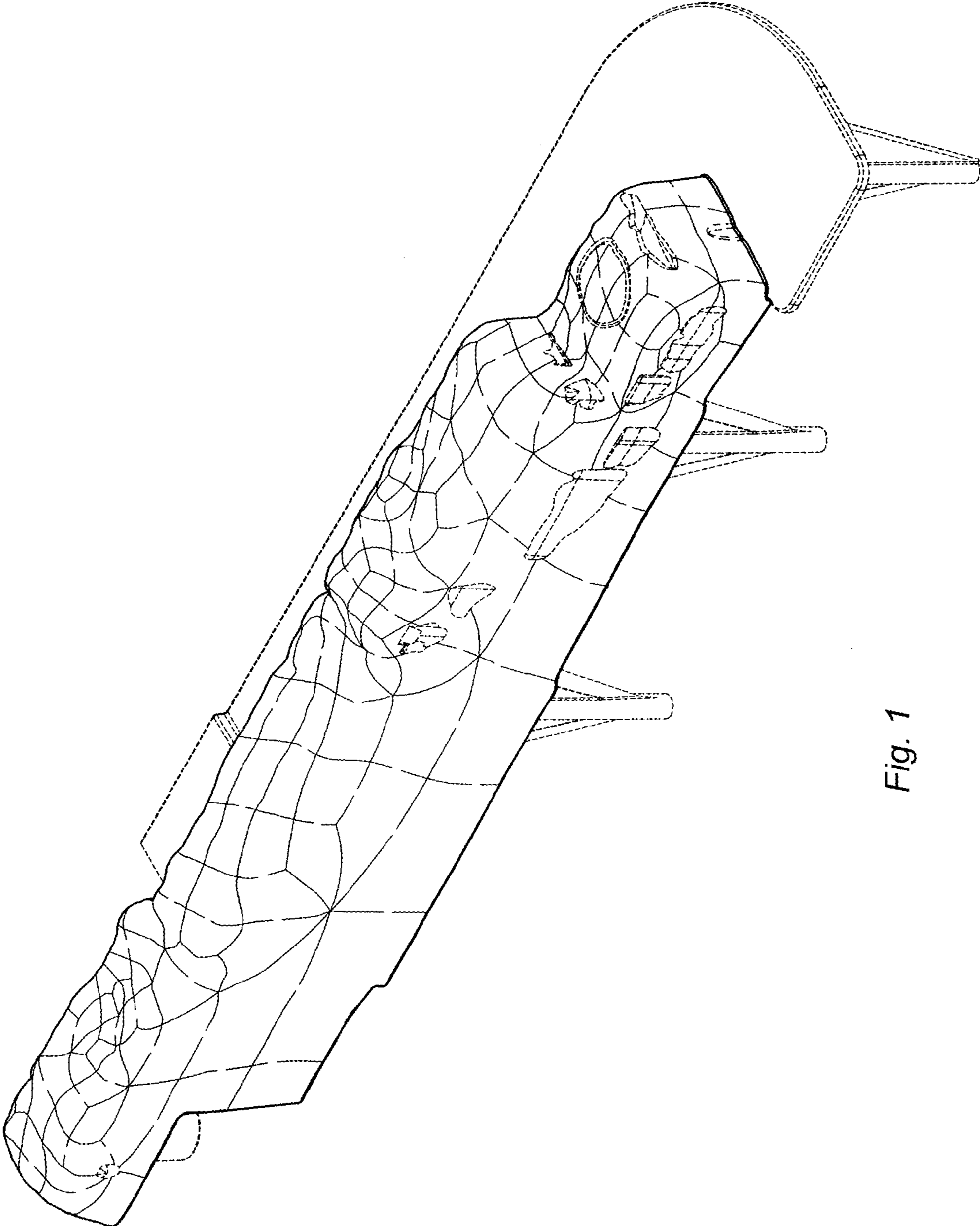


Fig. 1

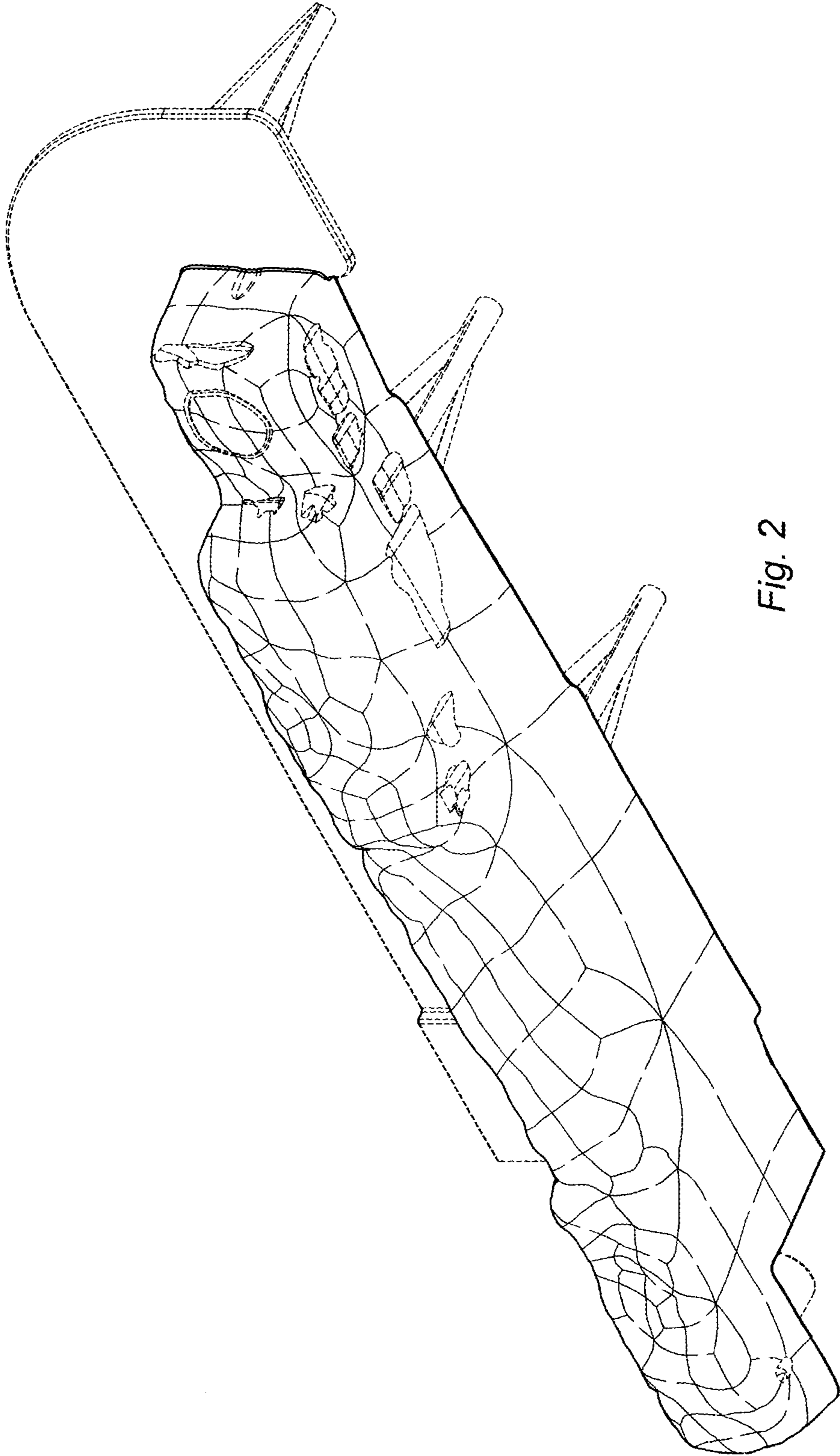


Fig. 2

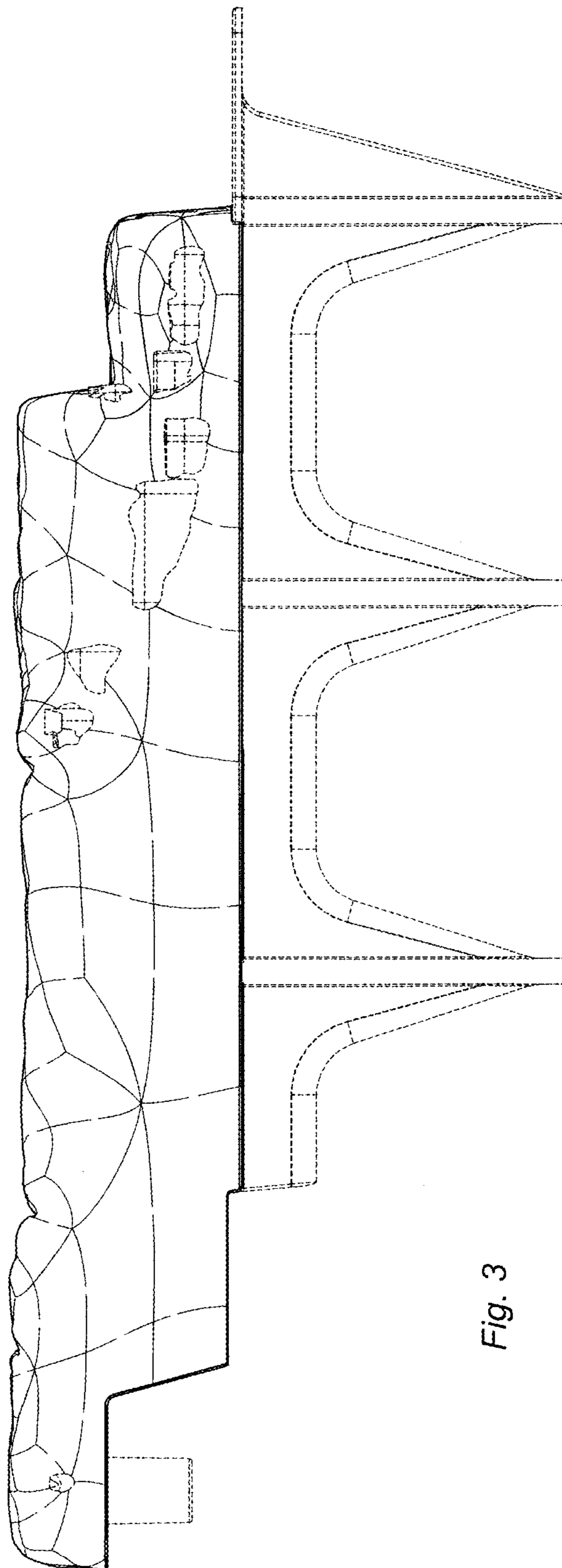


Fig. 3

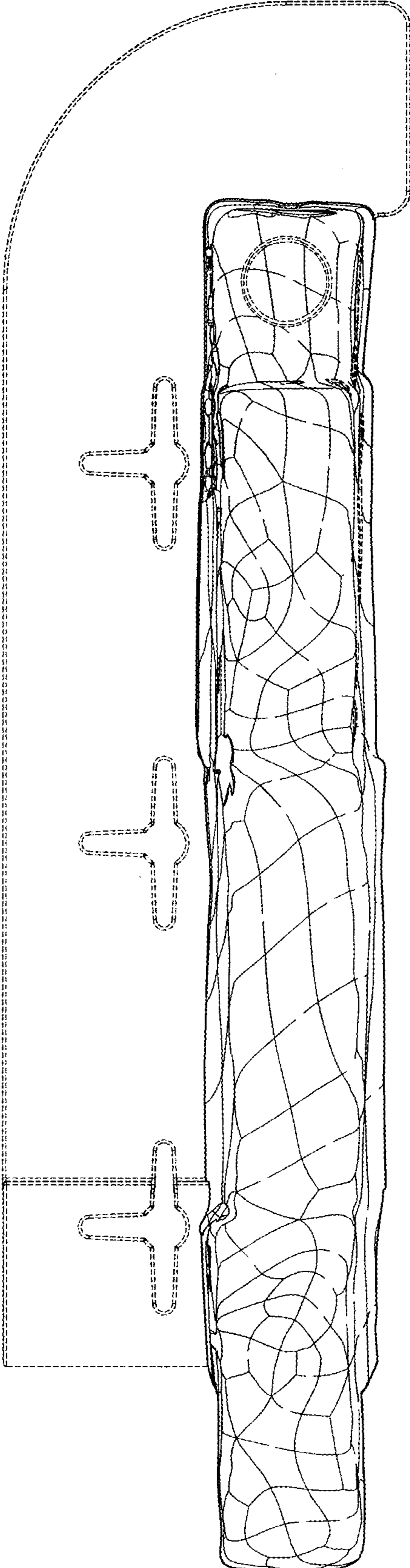


Fig. 4

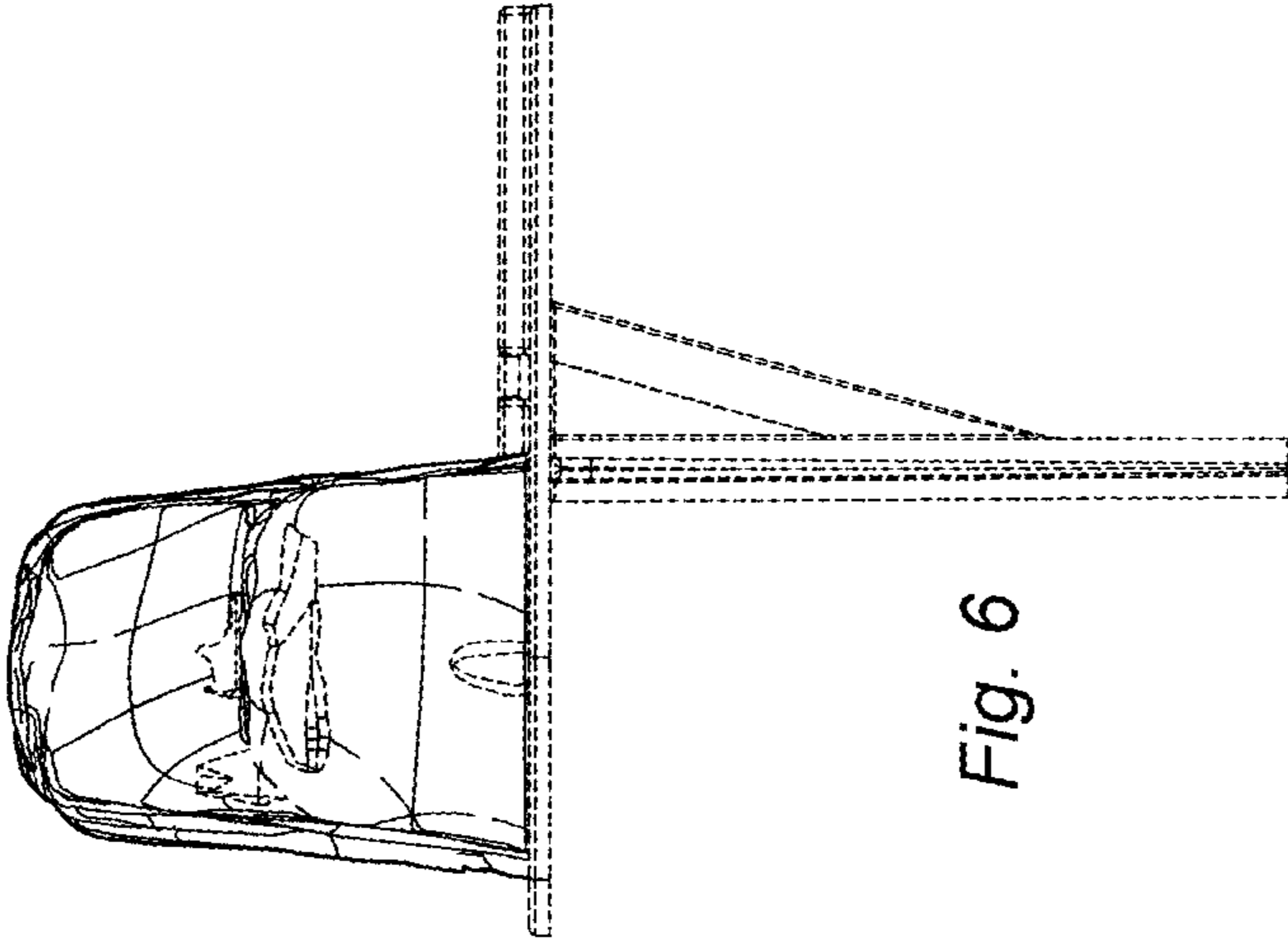


Fig. 6

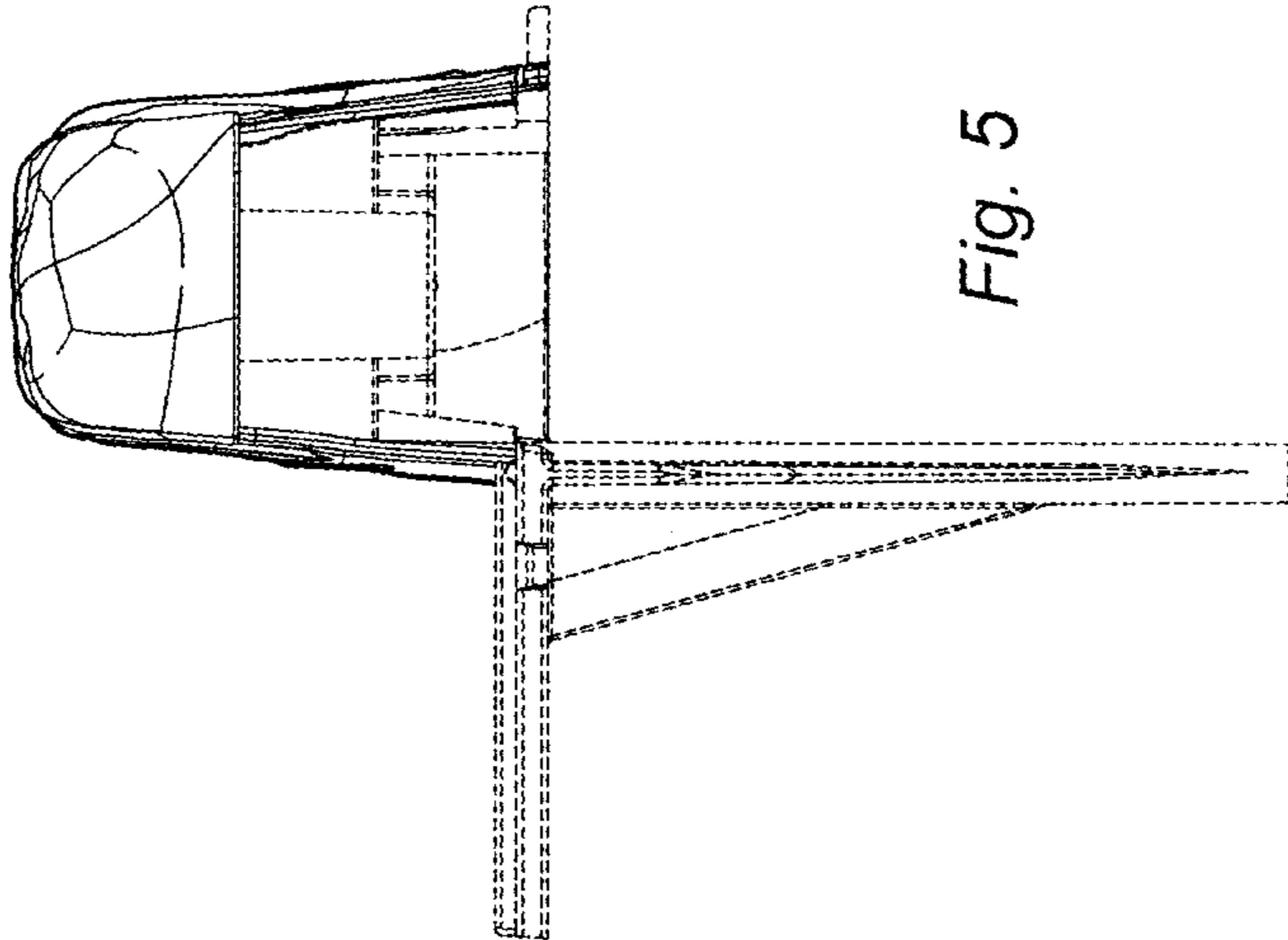


Fig. 5