



US00D752247S

(12) **United States Design Patent**
Bally

(10) **Patent No.:** **US D752,247 S**
(45) **Date of Patent:** **** Mar. 22, 2016**

(54) **PRIVACY SCREEN**

(71) Applicant: **Nexxspan Healthcare, LLC**, Lithia, FL (US)

(72) Inventor: **Alexander Bally**, Marston Mills, MA (US)

(73) Assignee: **Nexxspan Healthcare, LLC**, Lithia, FL (US)

(**) Term: **14 Years**

(21) Appl. No.: **29/471,549**

(22) Filed: **Nov. 1, 2013**

(51) **LOC (10) Cl.** **25-01**

(52) **U.S. Cl.**
USPC **D25/138**

(58) **Field of Classification Search**
USPC 52/243.1, 238.1, 239; D25/138; D6/332
See application file for complete search history.

(56) **References Cited**

U.S. PATENT DOCUMENTS

598,987	A	2/1898	Hammann et al.	
2,781,558	A *	2/1957	Tarzia	52/578
6,315,252	B1	11/2001	Schultz	
6,493,995	B2 *	12/2002	McKenzie	52/36.4
D617,473	S *	6/2010	Suare et al.	D25/138
8,469,078	B2 *	6/2013	Drew	160/196.1
2008/0229491	A1	9/2008	Gregory	
2009/0241445	A1 *	10/2009	Sprague	52/243.1

OTHER PUBLICATIONS

Bally, Alexander; U.S. Patent Application entitled: Neonatal Privacy System having U.S. Appl. No. 14/541,957, filed Nov. 14, 2014, 50 pgs.

Bally, Alexander; PCT Application entitled: Neonatal Privacy Screen having serial No. PCT/US14/65750, filed Nov. 14, 2014, 46 pgs.

Bally, Alexander; U.S. Provisional Patent Application Entitled: Neonatal Privacy Screen, U.S. Appl. No. 61/904,792, filed Nov. 15, 2013; 9 pgs.

Bally, Alexander; International Search Report and Written Opinion for PCT/US14/65750, filed Nov. 14, 2014, mailed Mar. 11, 2015, 8 pgs.

* cited by examiner

Primary Examiner — Doris Clark

(74) *Attorney, Agent, or Firm* — Taylor English Duma

(57) **CLAIM**

The ornamental design for a privacy screen, as shown and described.

DESCRIPTION

FIG. 1 is a perspective view of a privacy screen, showing my design;

FIG. 2 is a front view thereof;

FIG. 3 is a left side view thereof;

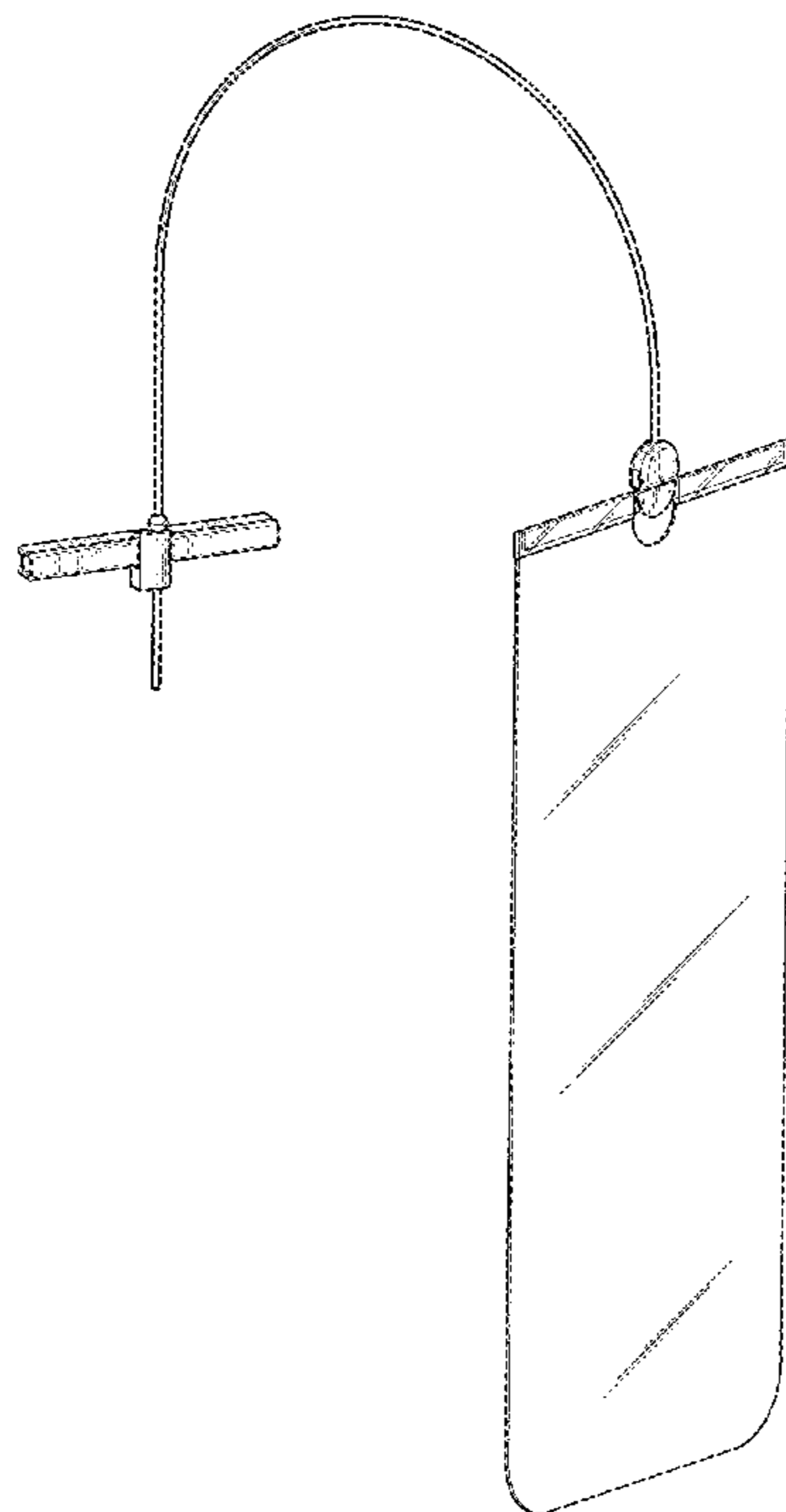
FIG. 4 is a rear view thereof;

FIG. 5 is a right side view thereof;

FIG. 6 is a top view thereof; and,

FIG. 7 is a bottom view thereof.

1 Claim, 6 Drawing Sheets



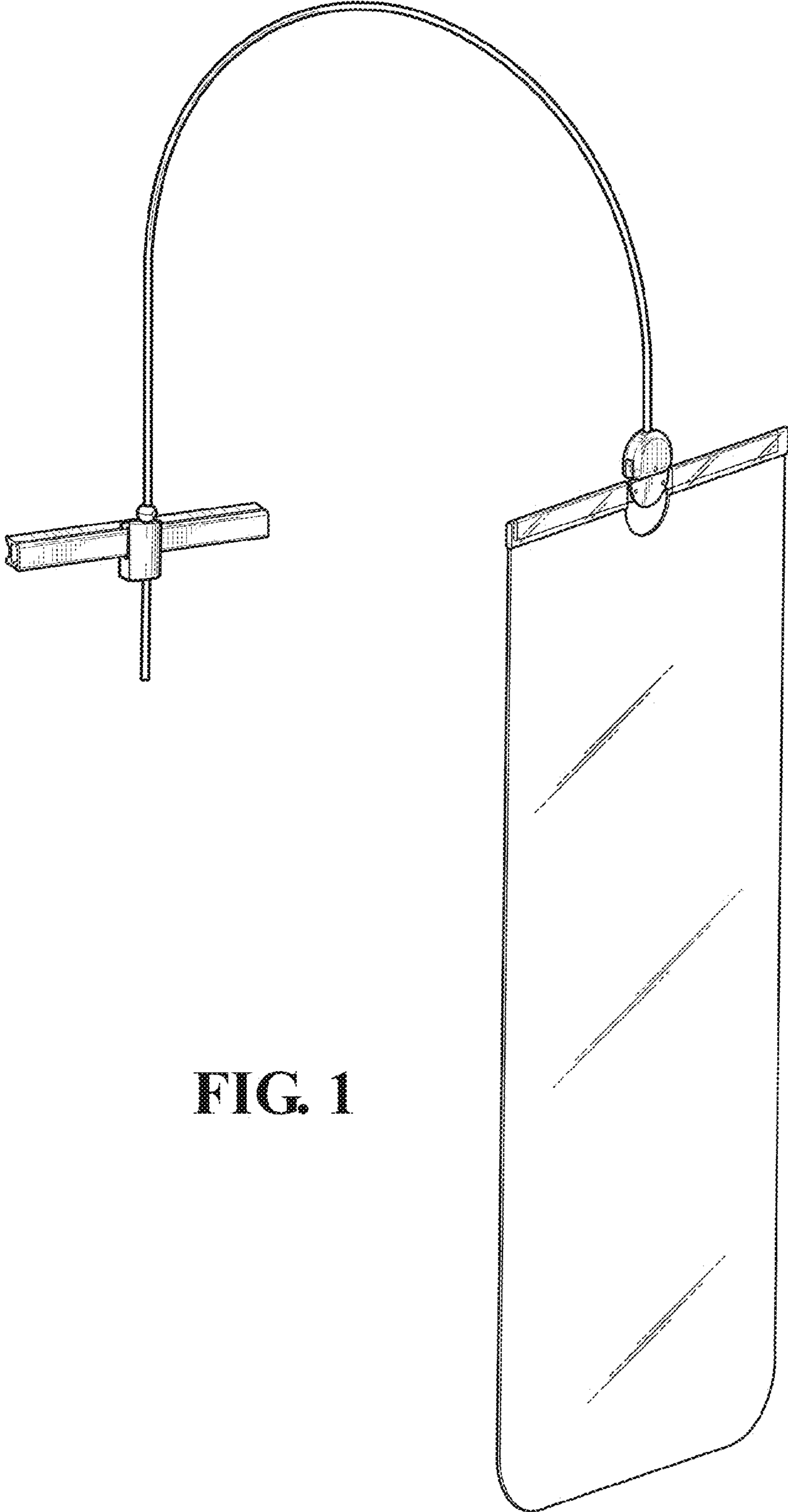


FIG. 1

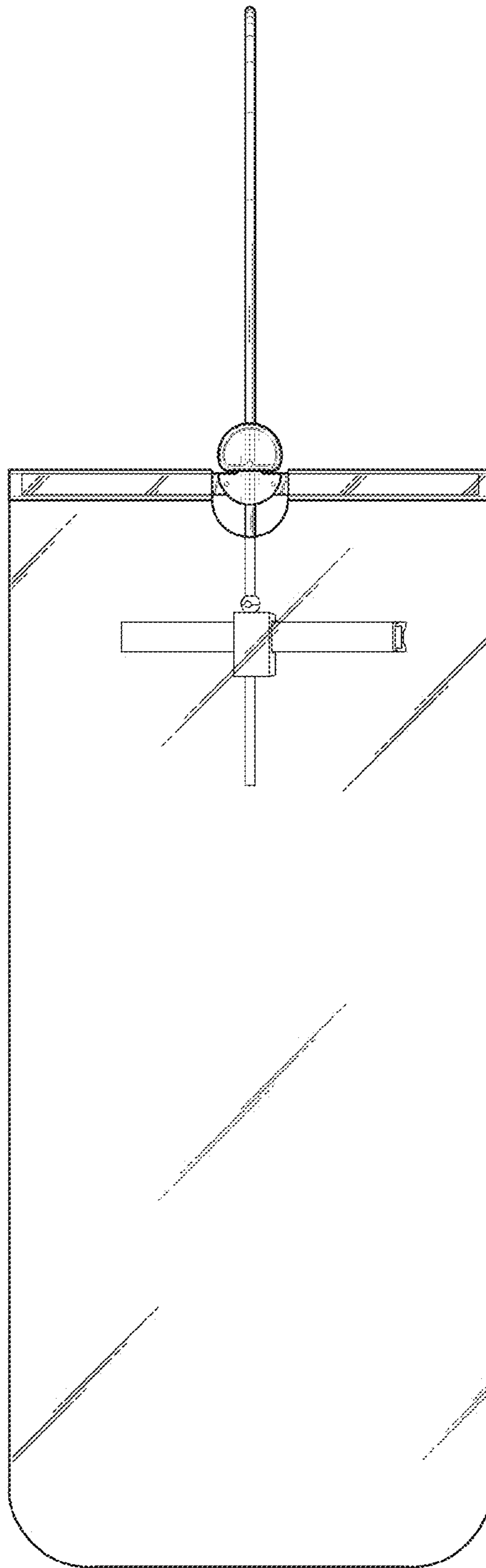


FIG. 2

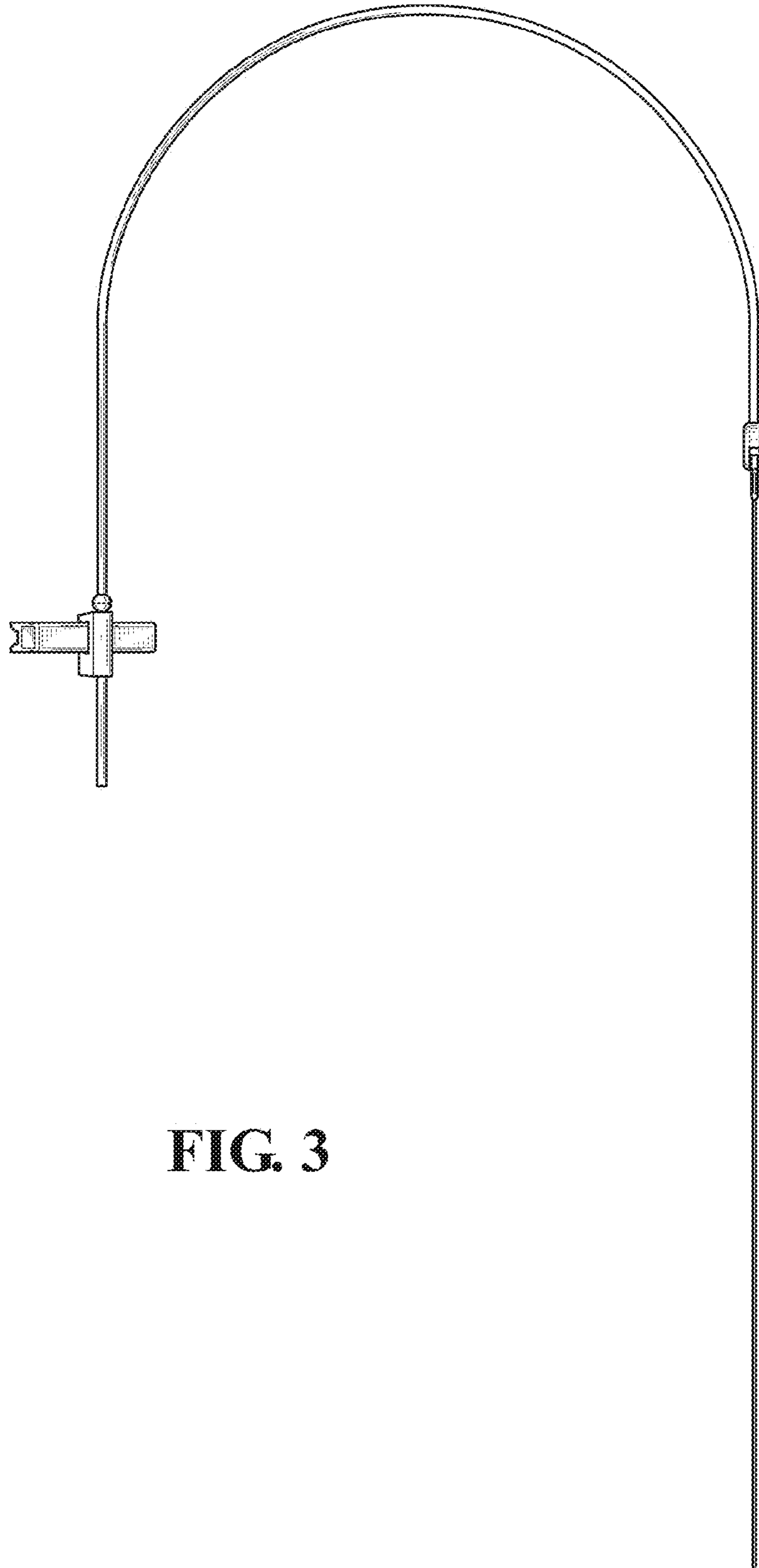


FIG. 3

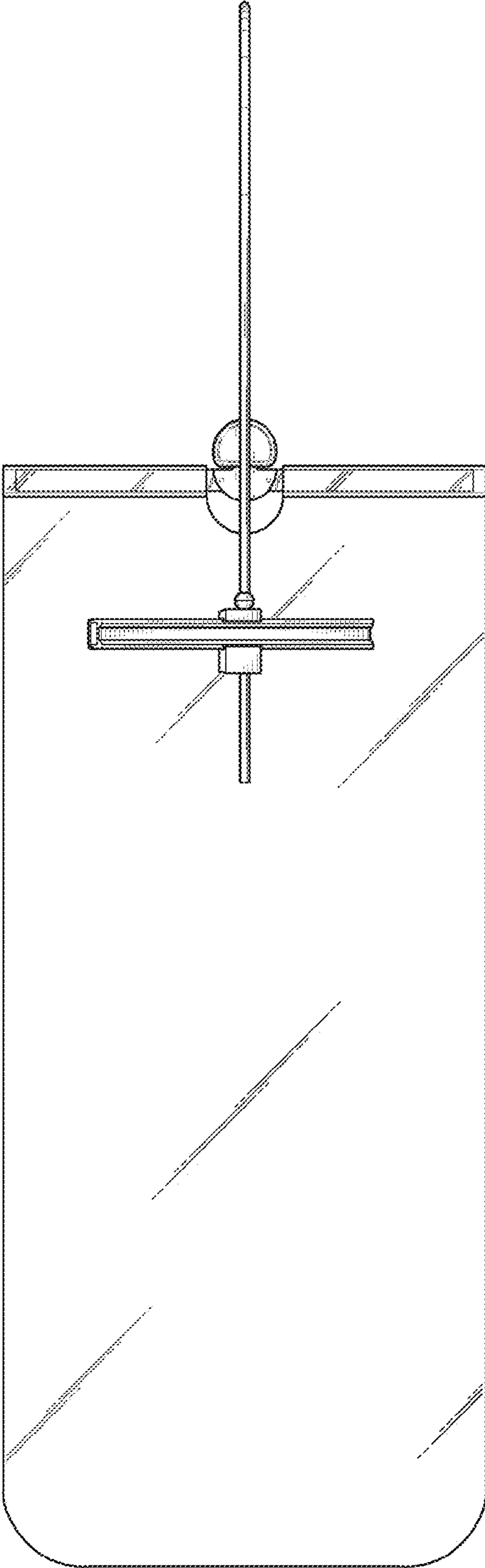


FIG. 4

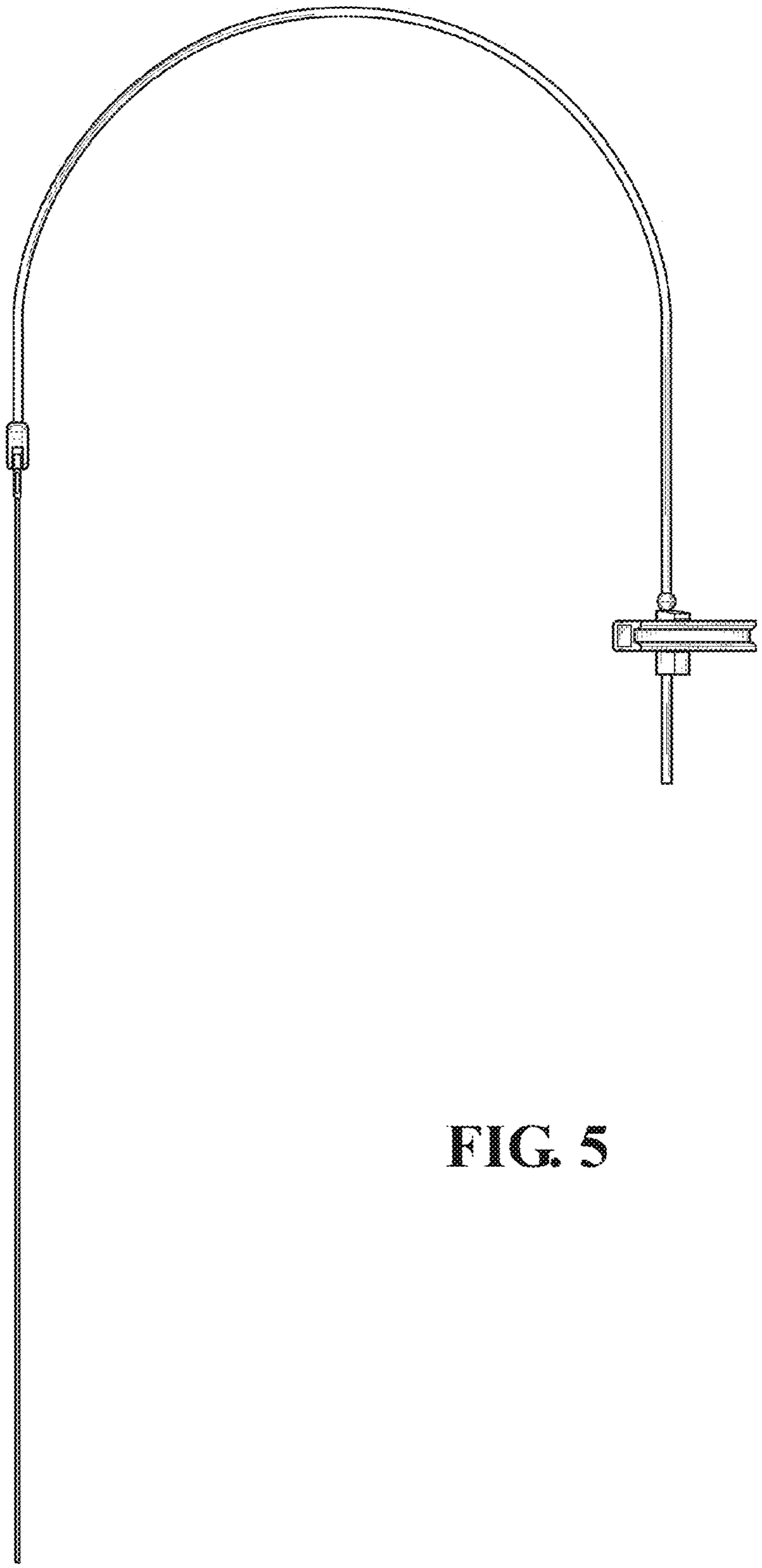


FIG. 5

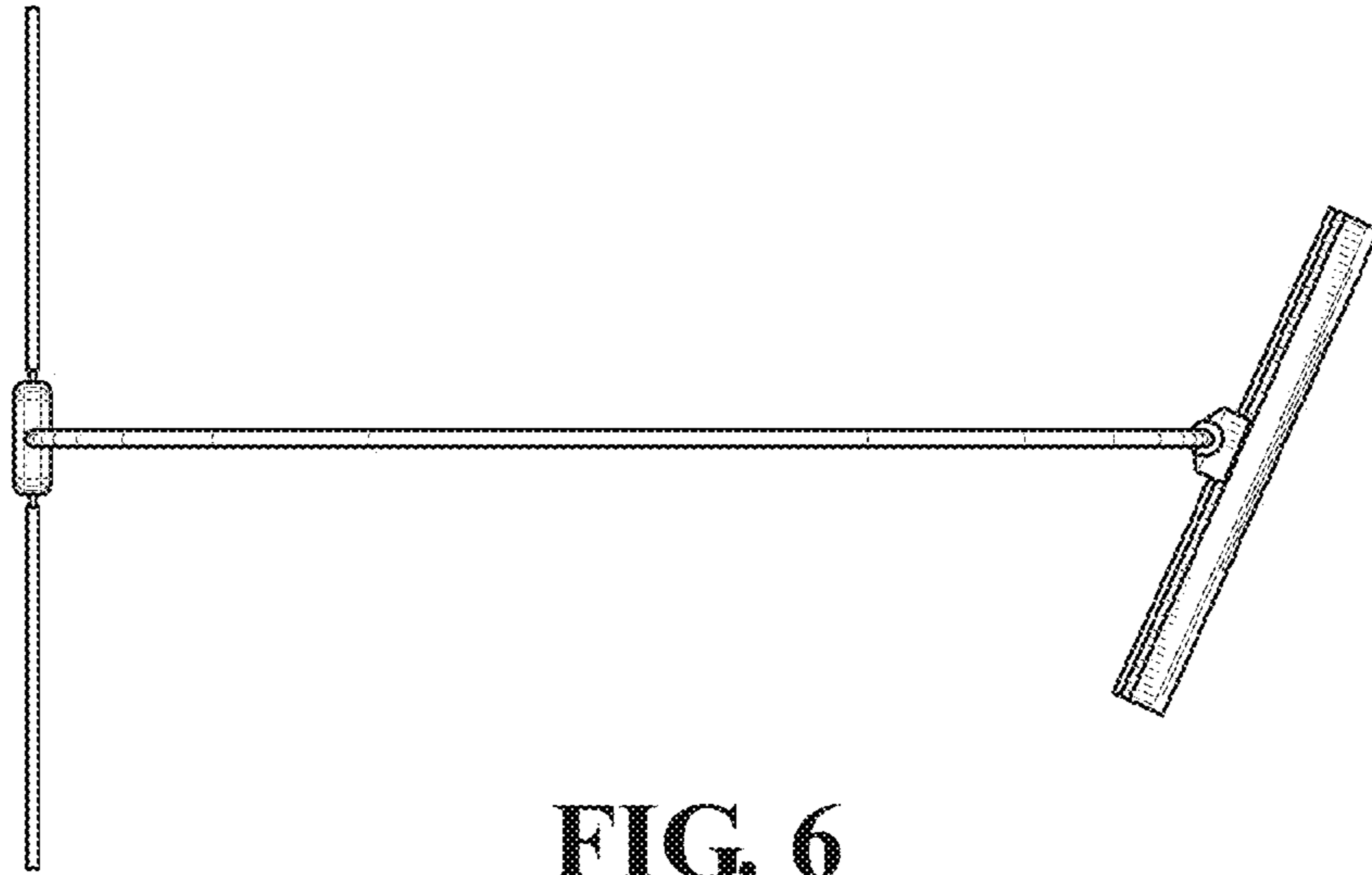


FIG. 6

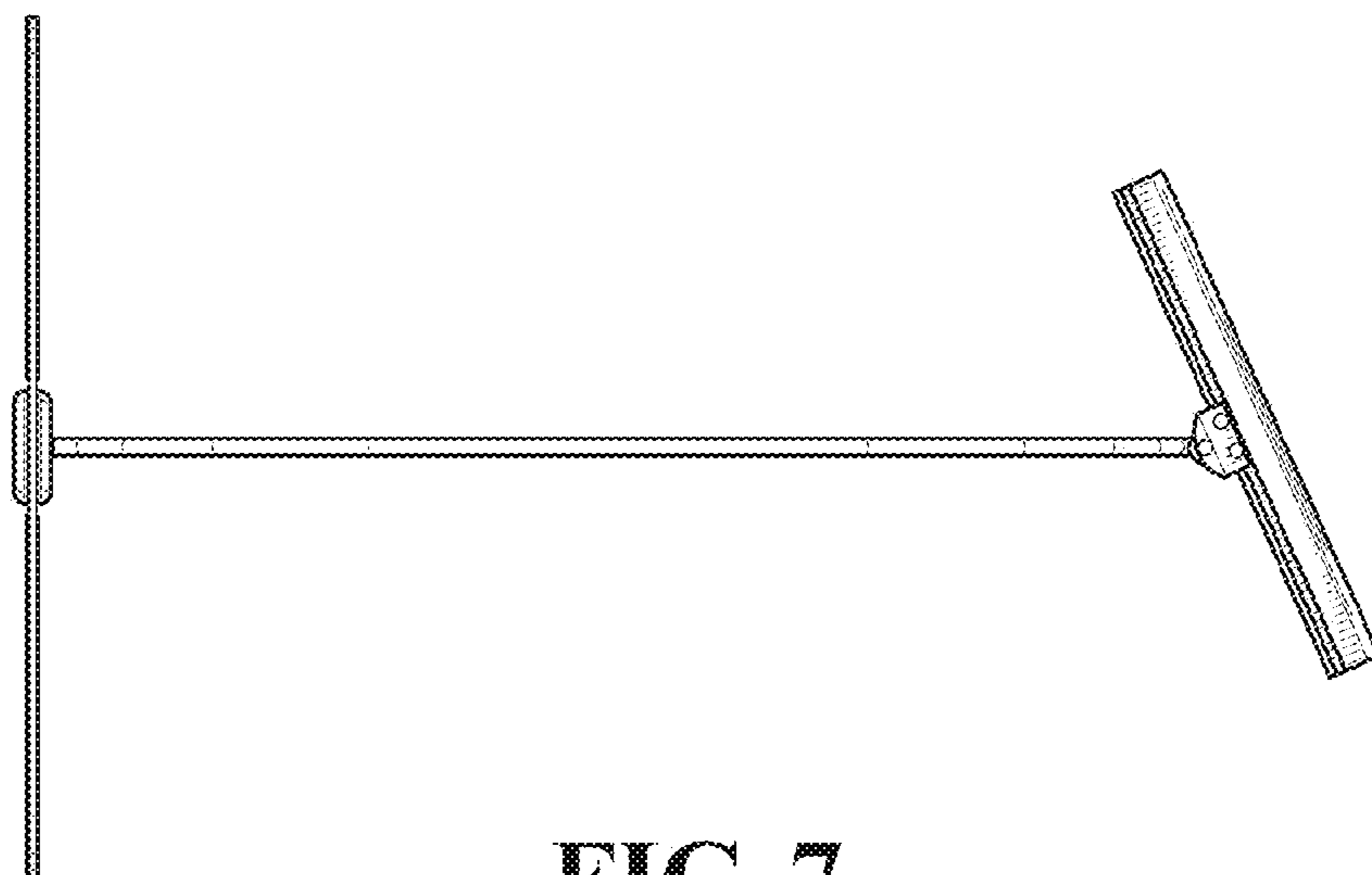


FIG. 7