



US00D752246S

(12) **United States Design Patent**
Točev et al.

(10) **Patent No.:** **US D752,246 S**
(45) **Date of Patent:** **** Mar. 22, 2016**

(54) **PREFABRICATED BUILDING PART**

(71) Applicants: **Ivan Točev**, Brno (CZ); **Martin Kilián**,
Praha (CZ)

(72) Inventors: **Ivan Točev**, Brno (CZ); **Martin Kilián**,
Praha (CZ)

(**) Term: **14 Years**

(21) Appl. No.: **29/502,300**

(22) Filed: **Sep. 14, 2014**

(30) **Foreign Application Priority Data**

Mar. 14, 2014 (EM) 002425355-0001
Mar. 14, 2014 (EM) 002425355-0002
Mar. 14, 2014 (EM) 002425355-0003

(51) **LOC (10) Cl.** **25-01**

(52) **U.S. Cl.**
USPC **D25/114**

(58) **Field of Classification Search**
USPC D25/113-118, 138, 152-162, 164, 199,
D25/36; 405/16, 284, 286; 52/604, 608, 20,
52/21; 404/41, 34, 4, 25, 26; D8/1;
D21/484-491, 499-504
CPC E04C 1/00; E04C 1/395; E04B 1/02;
E02D 29/14
See application file for complete search history.

(56) **References Cited**

U.S. PATENT DOCUMENTS

D246,384 S * 11/1977 Brown D25/36
4,318,642 A * 3/1982 Barnett 405/284
D351,031 S * 9/1994 Crawford et al. D25/117
D428,159 S * 7/2000 McCoy et al. D25/102

D429,531 S * 8/2000 VonDross D25/114
6,105,330 A * 8/2000 Nanayakkara 52/606
D441,464 S * 5/2001 Pribyl D25/118
D461,567 S * 8/2002 Ogawa D25/118
D539,918 S * 4/2007 Denmon D25/36
D540,476 S * 4/2007 Price D25/113
D570,492 S * 6/2008 Denmon D25/35
D574,517 S * 8/2008 Foster D25/113
D593,221 S * 5/2009 Lacas D25/164
D633,630 S * 3/2011 Jacot et al. D25/118
D673,304 S * 12/2012 D'Avella D25/114
D686,756 S * 7/2013 Nanayakkara D25/113
2003/0121216 A1 * 7/2003 Nale E02D 29/12
52/20

* cited by examiner

Primary Examiner — Anhdao Doan

(74) *Attorney, Agent, or Firm* — Franklin & Associates
International Inc; Matthew F. Lambrinos

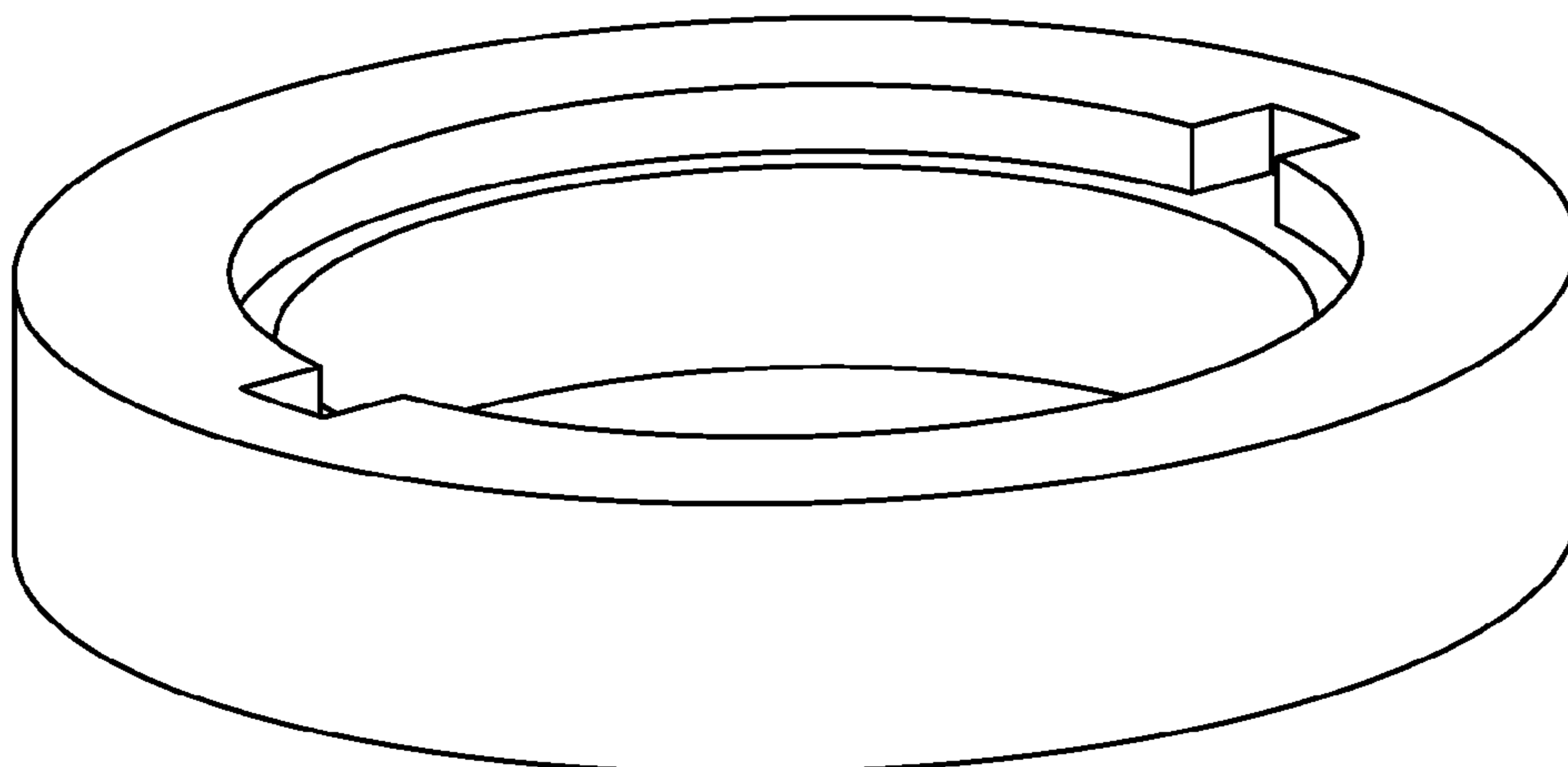
(57) **CLAIM**

The ornamental design for a prefabricated building part, as
shown and described.

DESCRIPTION

FIG. 1 is a top perspective view of a first embodiment of a
prefabricated building part showing our new design;
FIG. 2 is a bottom perspective view thereof;
FIG. 3 is a top plan view thereof;
FIG. 4 is a top perspective view of a second embodiment of a
prefabricated building part showing our new design;
FIG. 5 is front view thereof, the left, right and rear views being
mirror images of the front view;
FIG. 6 is a top plan view thereof;
FIG. 7 is bottom plan view thereof;
FIG. 8 is an enlarged bottom perspective view thereof; and,
FIG. 9 is an enlarged top perspective view thereof.

1 Claim, 6 Drawing Sheets



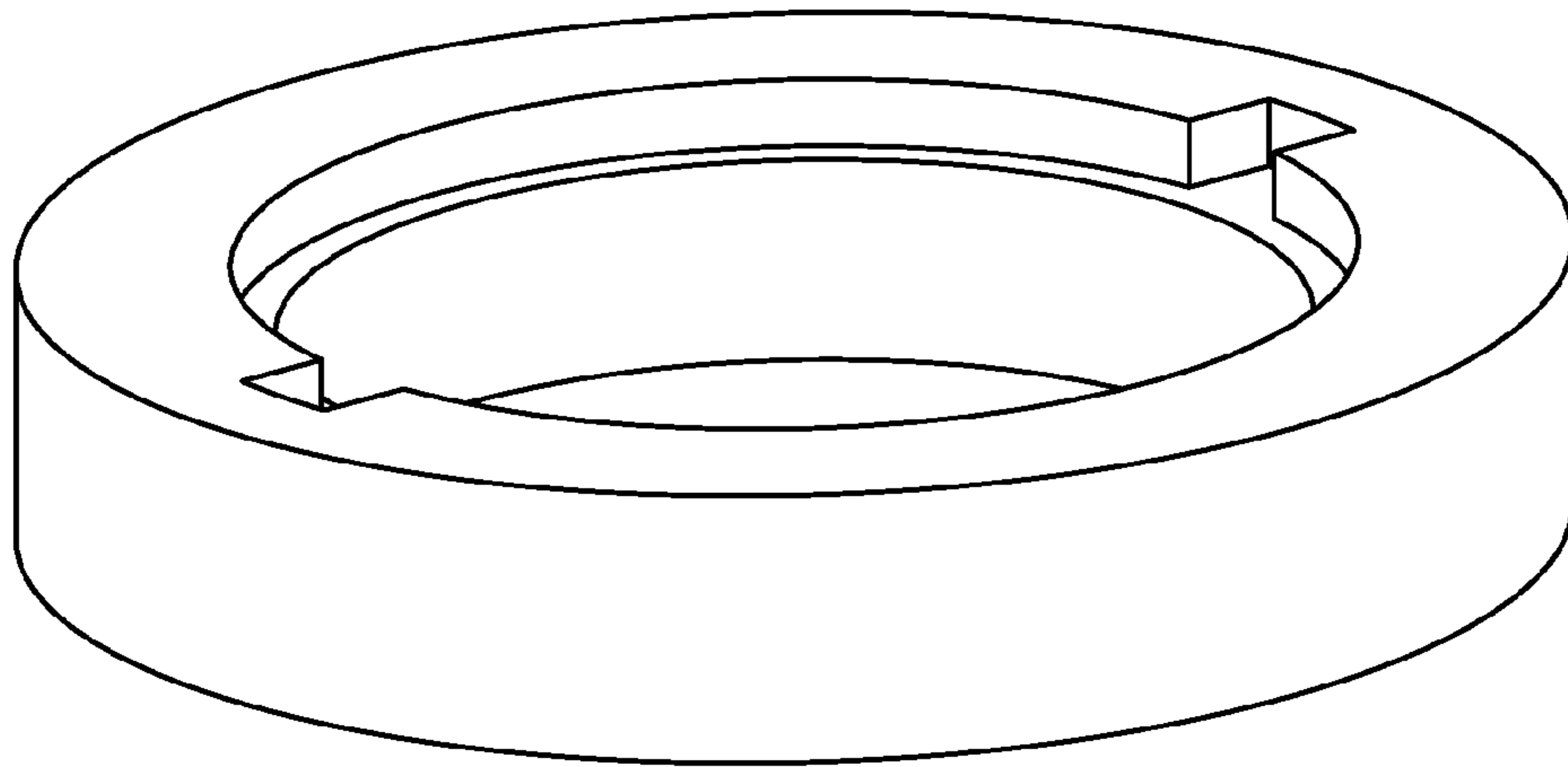


FIG. 1

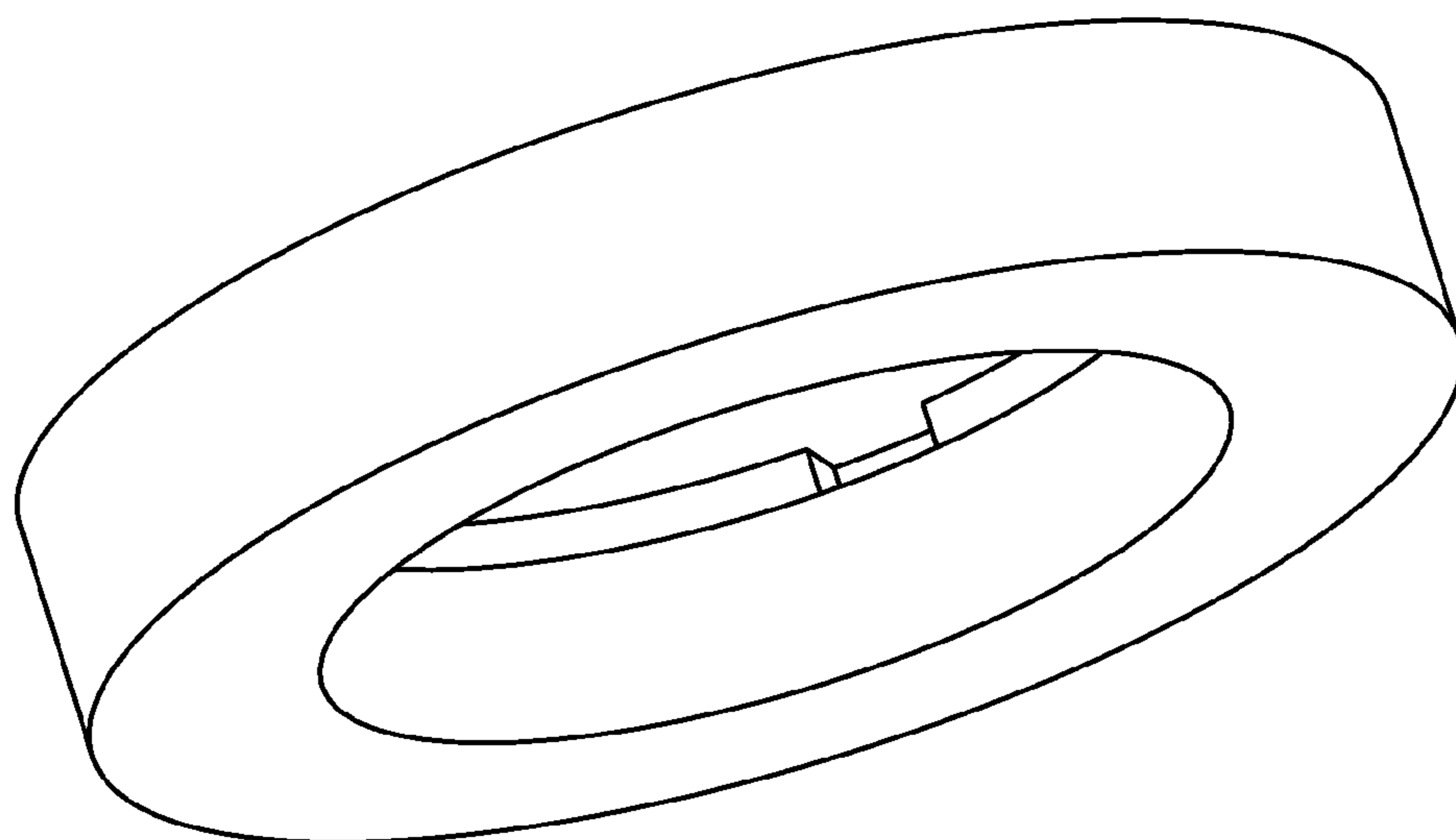


FIG. 2

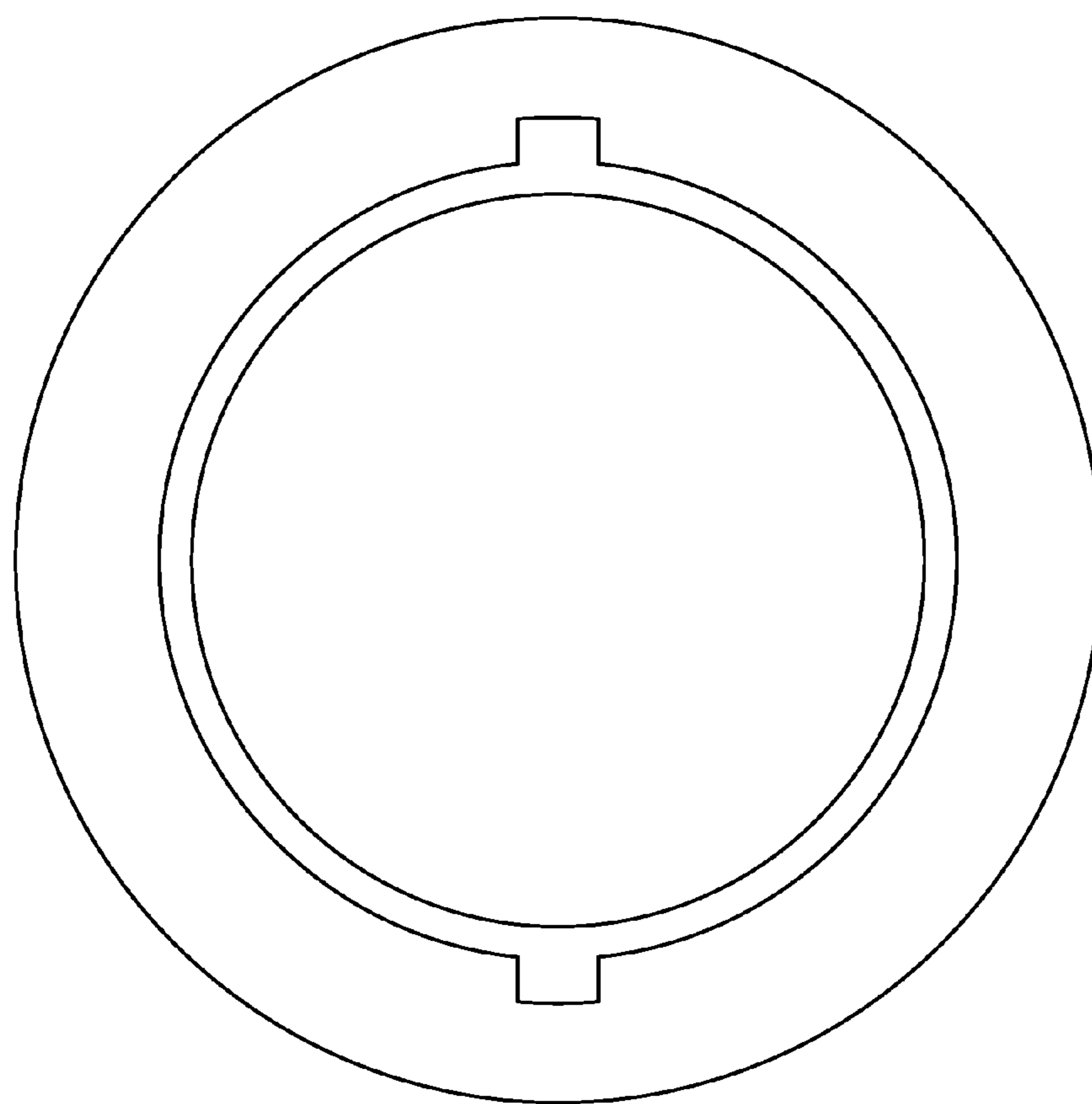


FIG. 3

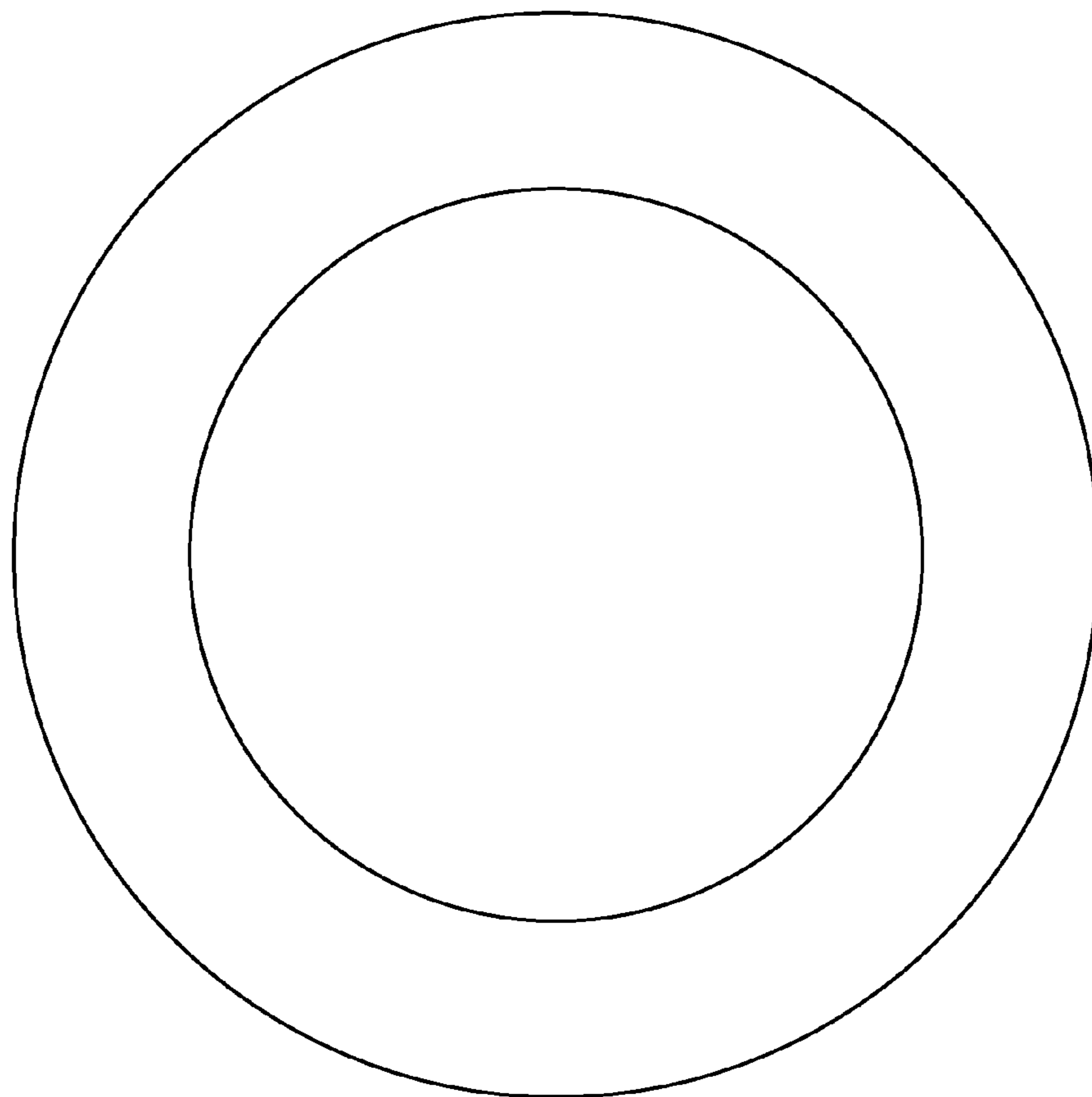


FIG. 7

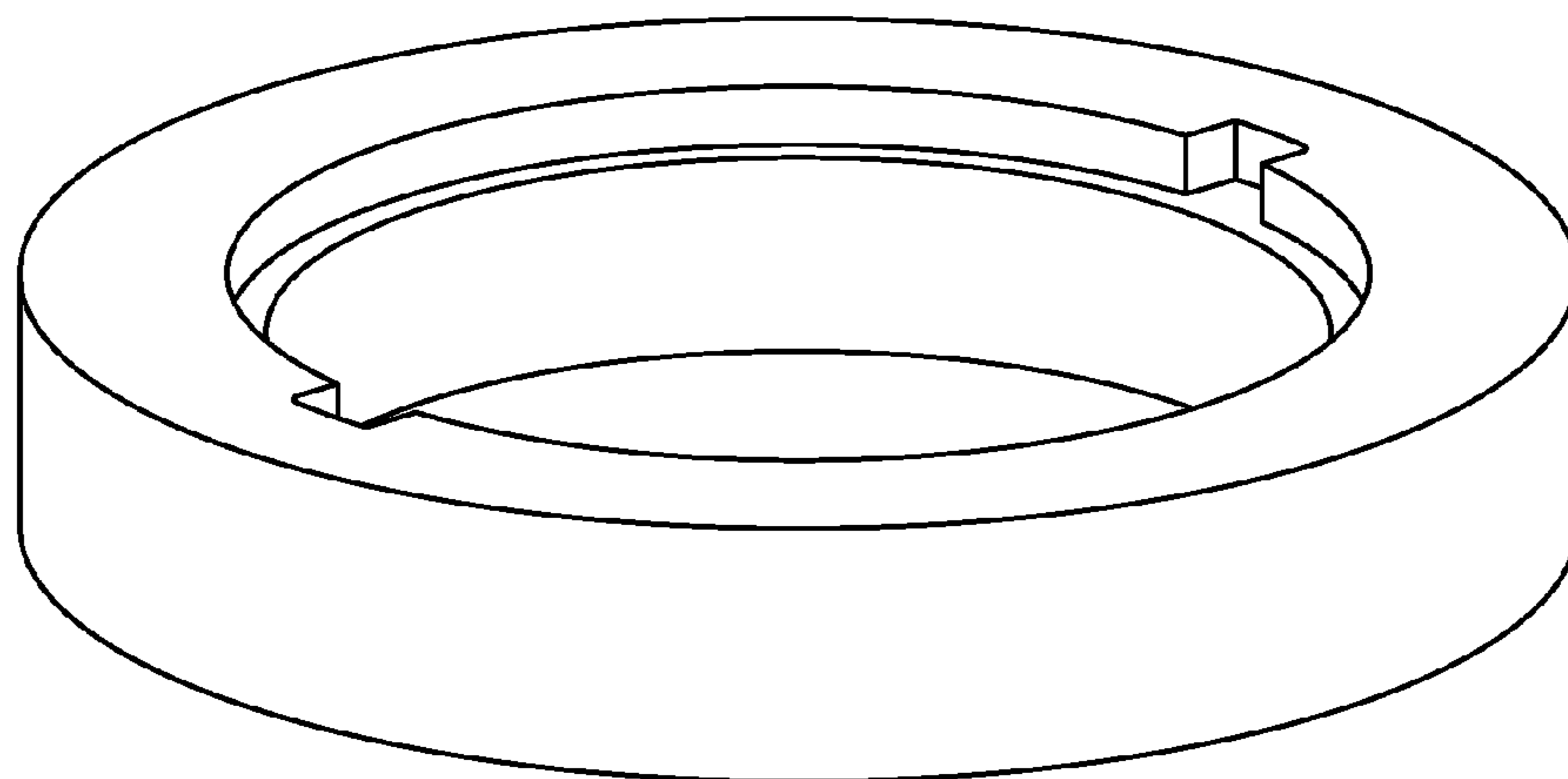


FIG. 4

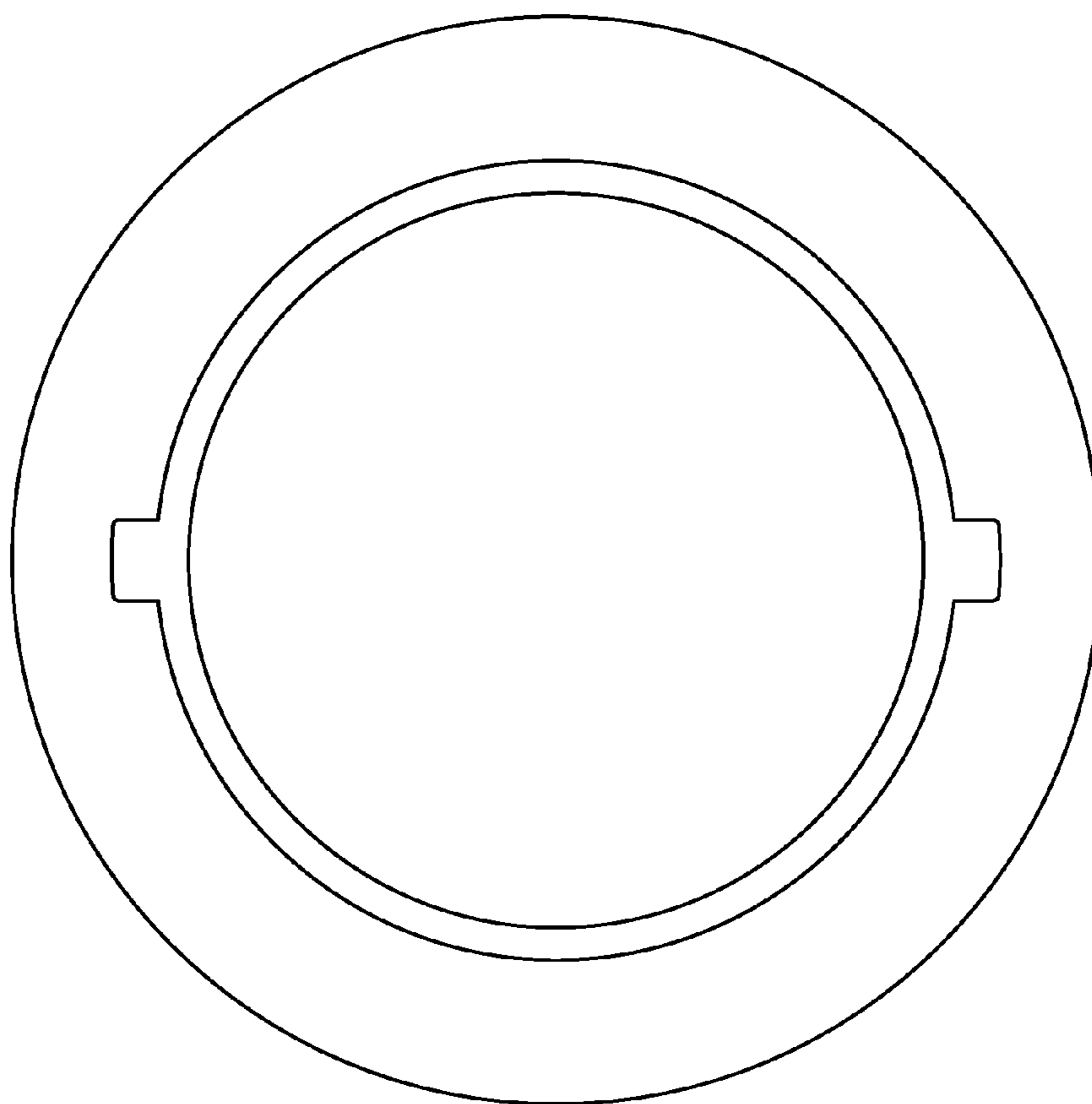


FIG. 6



FIG. 5

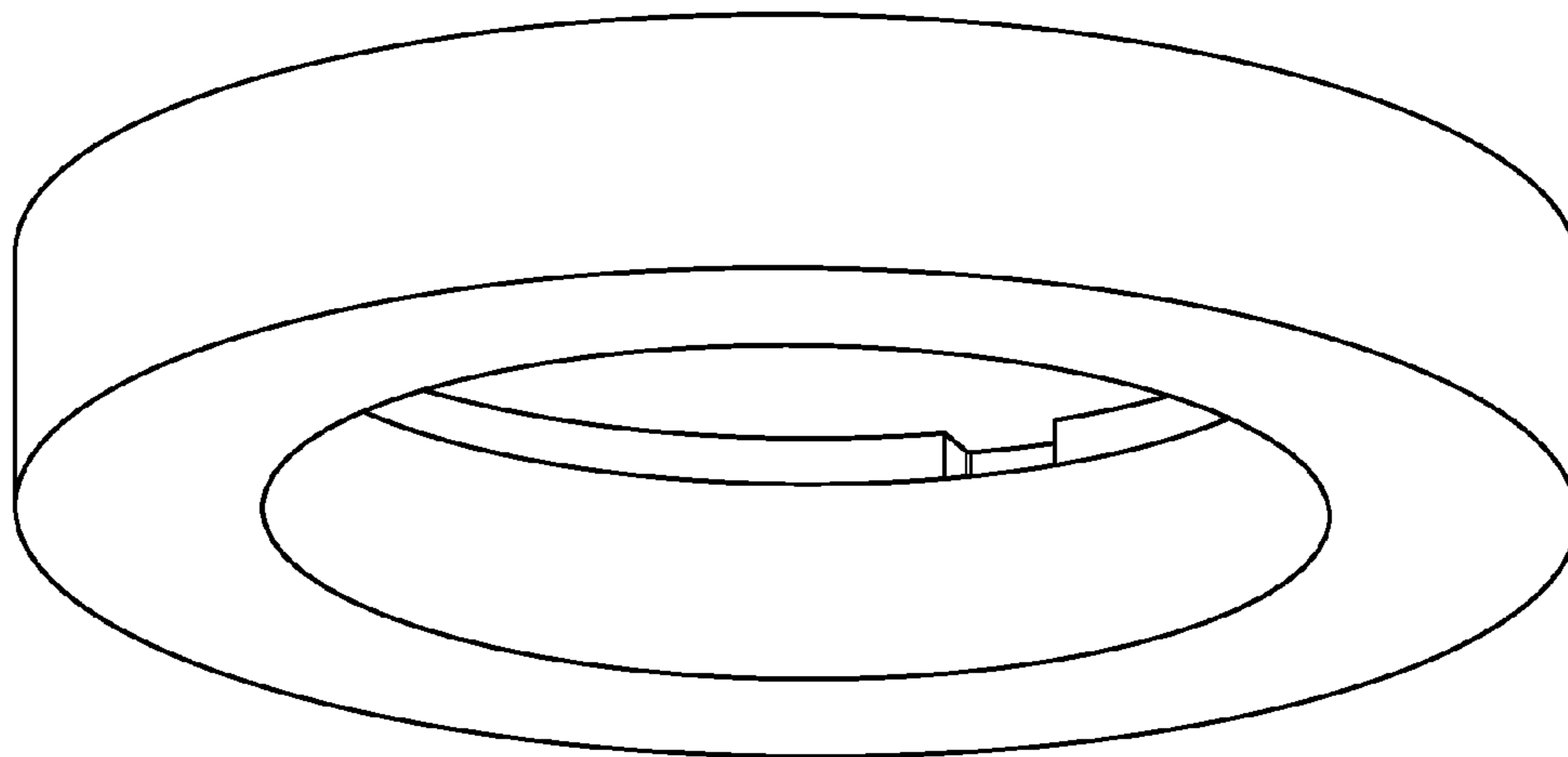


FIG. 8

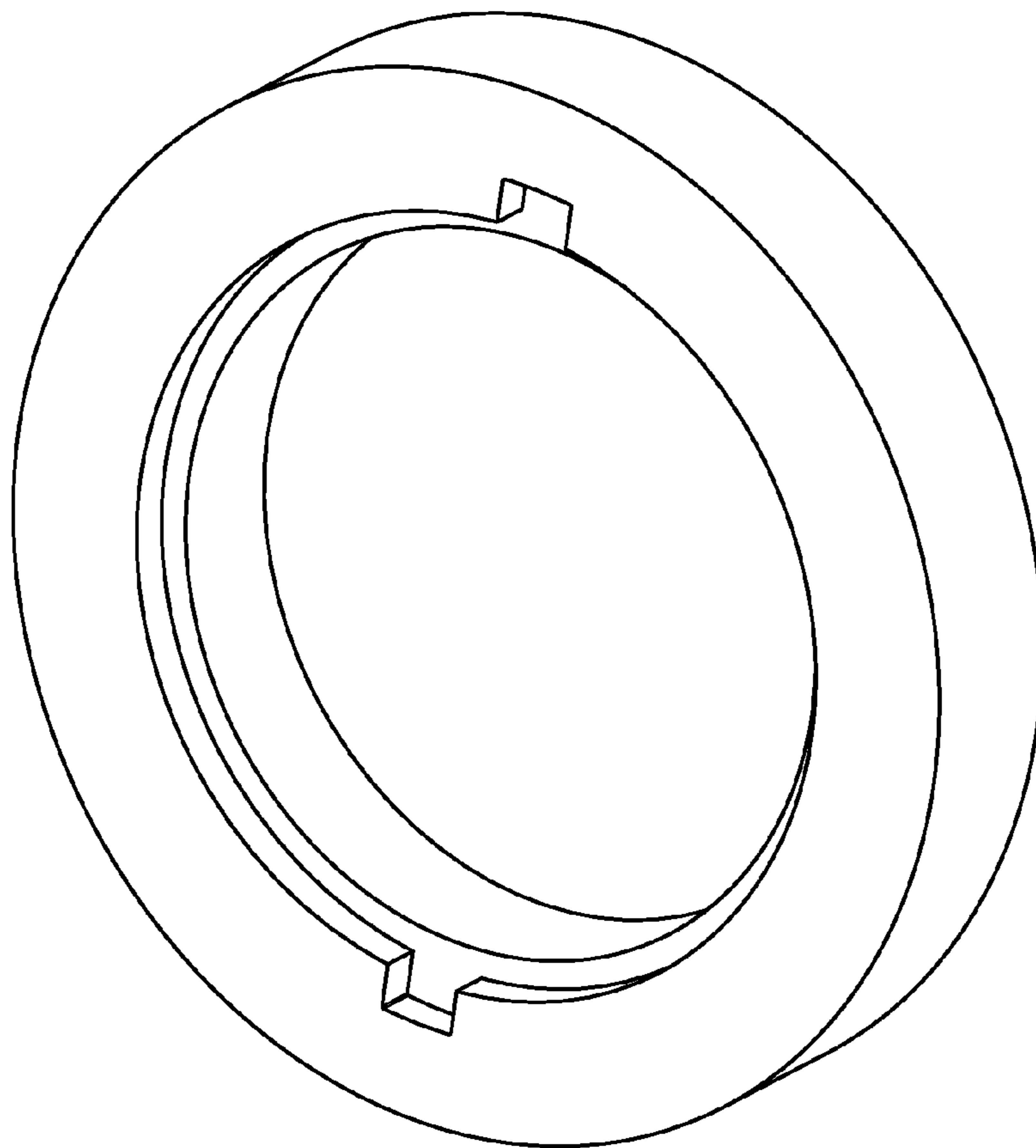


FIG. 9