



US00D752240S

(12) **United States Design Patent**
Chan et al.

(10) **Patent No.:** **US D752,240 S**
(45) **Date of Patent:** **** Mar. 22, 2016**

(54) **BIOMEDICAL INSTRUMENT**
(71) Applicants: **Eugene Y. Chan**, Boston, MA (US); **Kee Seok Jeon**, Boston, MA (US)
(72) Inventors: **Eugene Y. Chan**, Boston, MA (US); **Kee Seok Jeon**, Boston, MA (US)
(73) Assignee: **DNA Medicine Institute, Inc.**, Cambridge, MA (US)
(**) Term: **14 Years**
(21) Appl. No.: **29/484,777**
(22) Filed: **Mar. 12, 2014**
(51) **LOC (10) Cl.** **24-01**
(52) **U.S. Cl.**
USPC **D24/216**
(58) **Field of Classification Search**
USPC D24/216, 231, 232, 233, 186, 169, 107,
D24/111; D10/81; 422/500, 62-67;
435/287.1, 287.3; 436/43, 47, 46
CPC G01N 1/28; G01N 33/50; G01N 35/025
See application file for complete search history.

D535,403 S * 1/2007 Isozaki et al. D24/232
D561,349 S * 2/2008 Levin et al. D24/232
D599,234 S * 9/2009 Ito D10/81
D689,193 S * 9/2013 Shinohara et al. D24/216
D719,671 S * 12/2014 Nishikawa et al. D24/216

* cited by examiner

Primary Examiner — Anhdao Doan

(74) *Attorney, Agent, or Firm* — Robert S. Blasi, Esq.; Danielson Legal LLC

(57) **CLAIM**

The ornamental design for a biomedical instrument, substantially as shown and described.

DESCRIPTION

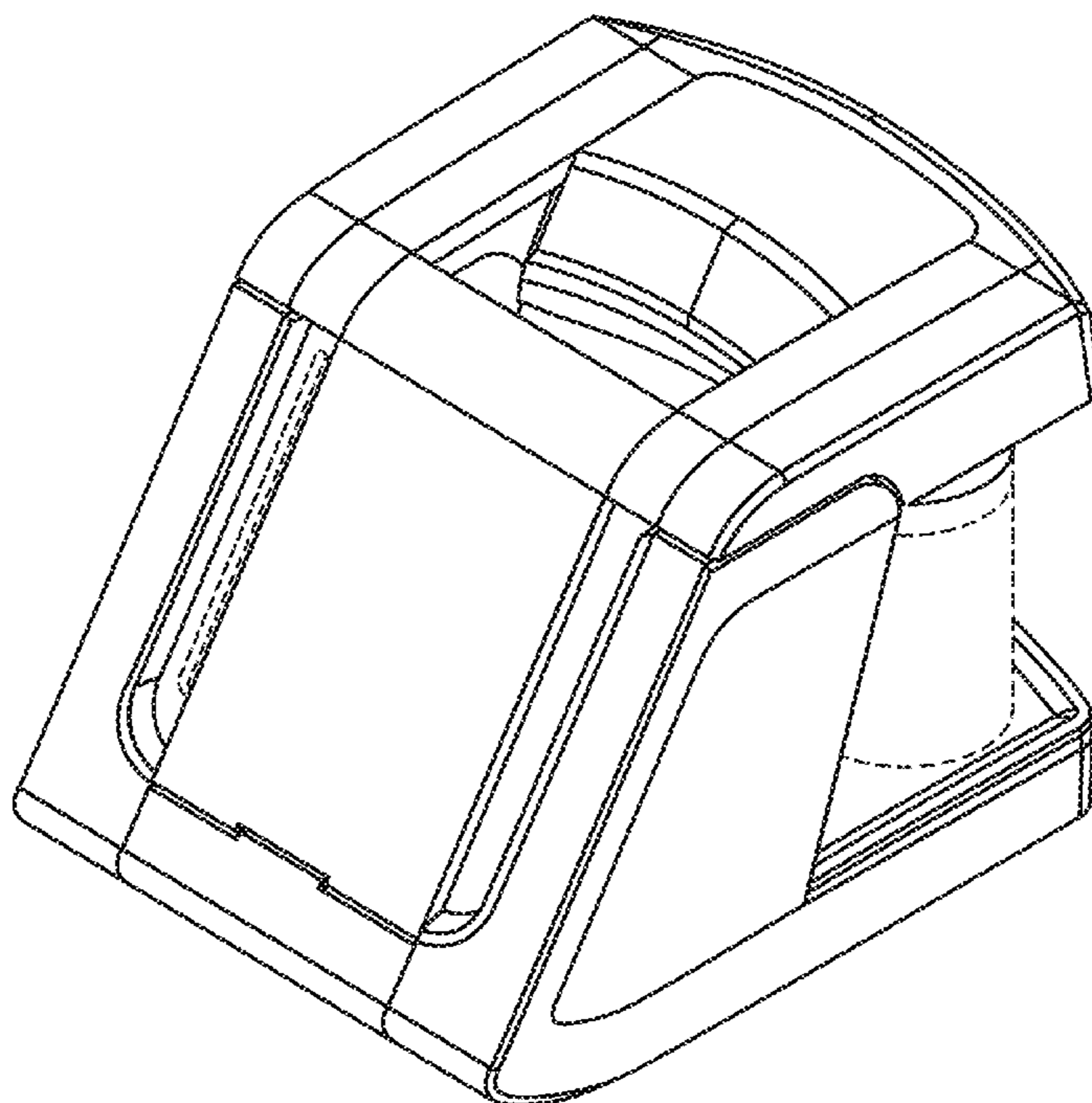
FIG. 1 shows an isometric view of the biomedical instrument incorporating my design.
FIG. 2 is a front view thereof;
FIG. 3 is a side view thereof;
FIG. 4 is a back view thereof;
FIG. 5 is a top view thereof;
FIG. 6 is a bottom view thereof;
FIG. 7 is a side view of the biomedical instrument with the fluid vials in an open, accessible position;
FIG. 8 is a side view of the biomedical instrument with the sample loading door in an open, accessible position; and,
FIG. 9 is an isometric view of the biomedical instrument with the sample loading door in an open, accessible position.
A design for a biomedical instrument is shown in FIGS. 1-9. The broken lines in the drawings are included for the purpose of illustrating portions of the biomedical instrument that form no part of the claimed design.

(56) **References Cited**

U.S. PATENT DOCUMENTS

D422,355 S * 4/2000 Schuman et al. D24/111
D475,134 S * 5/2003 Randolph D24/111
D482,796 S * 11/2003 Oyama et al. D24/232
D493,232 S * 7/2004 Wohlstadter et al. D24/216

1 Claim, 9 Drawing Sheets



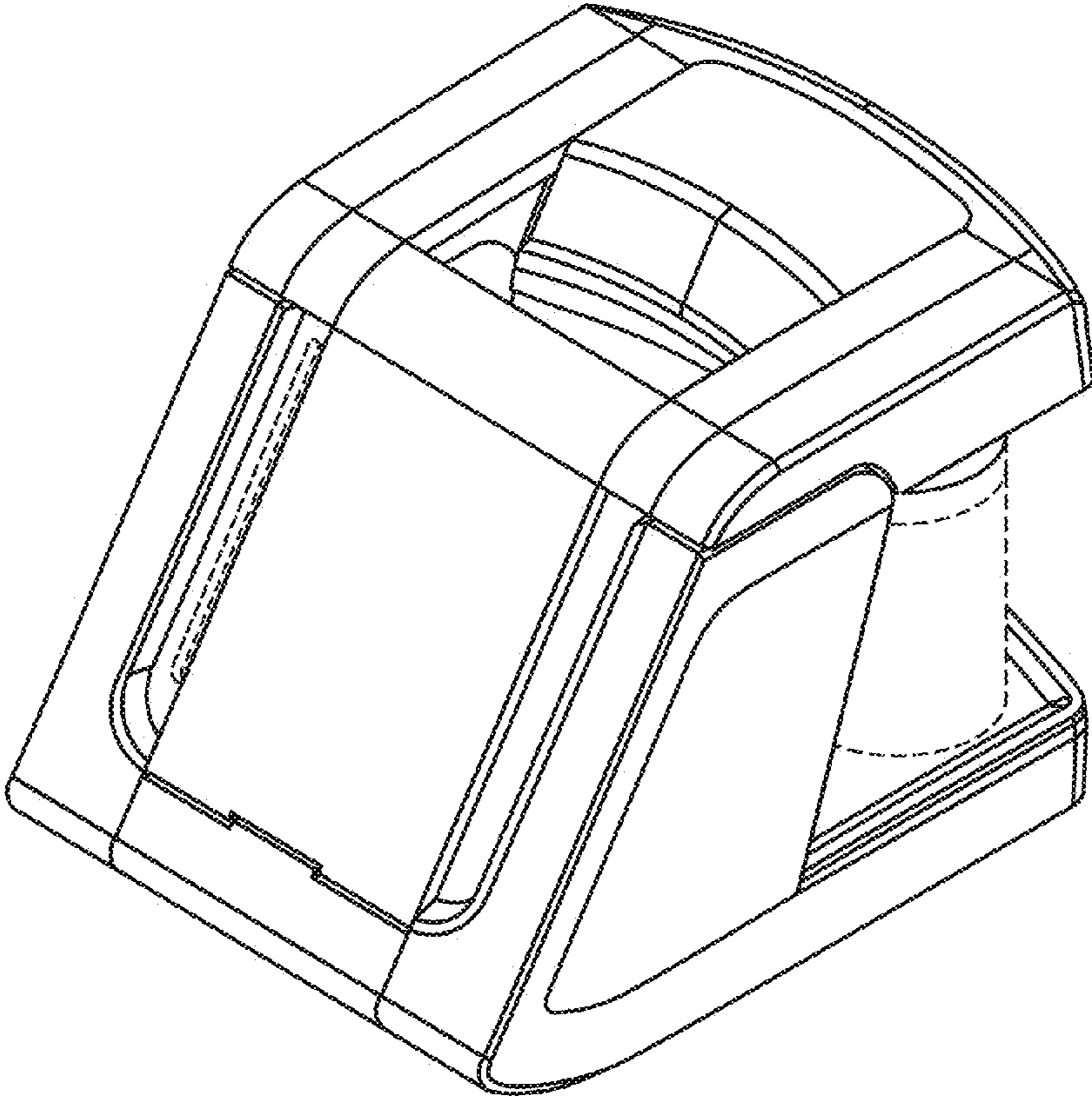


FIG. 1

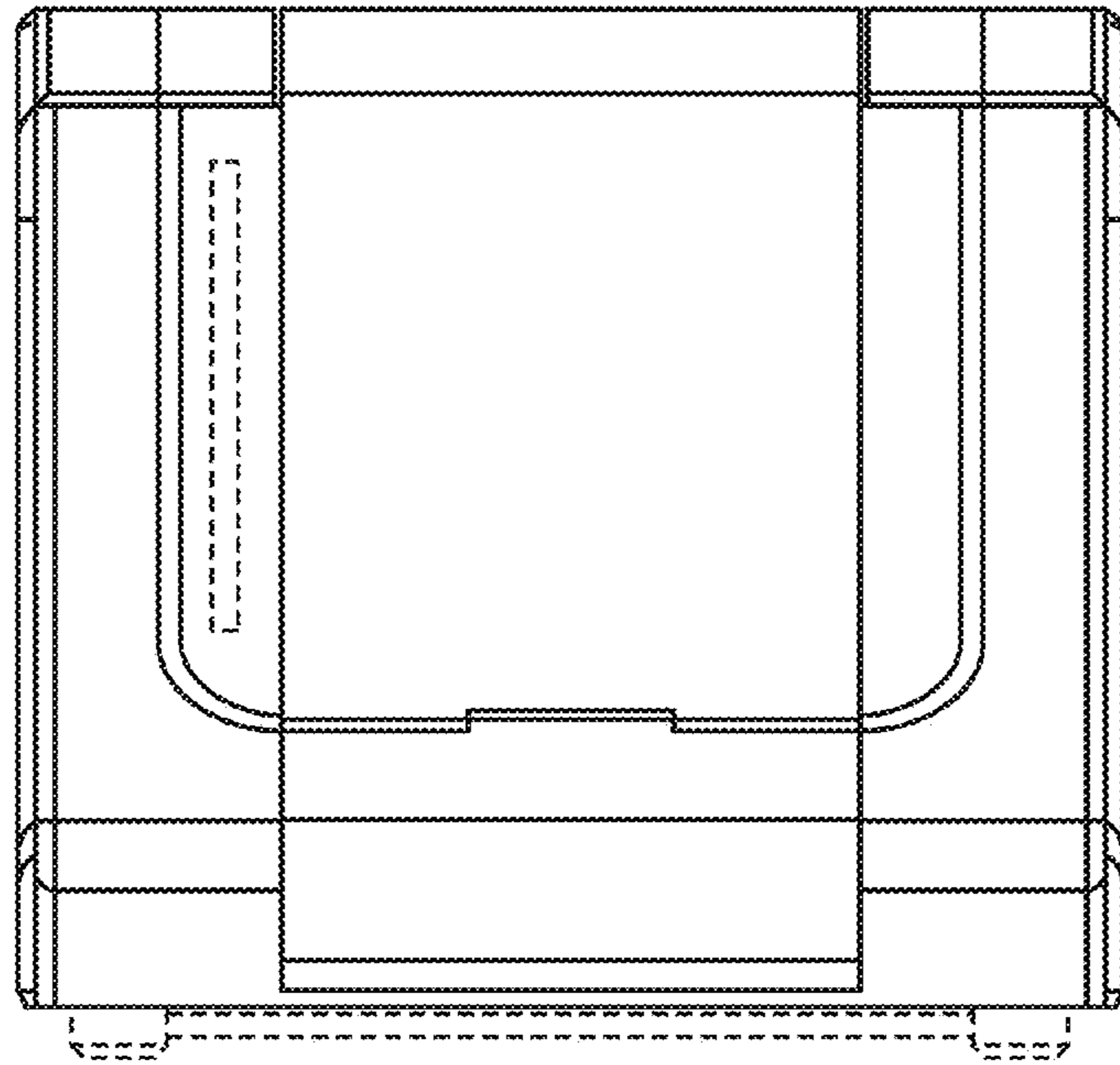


FIG. 2

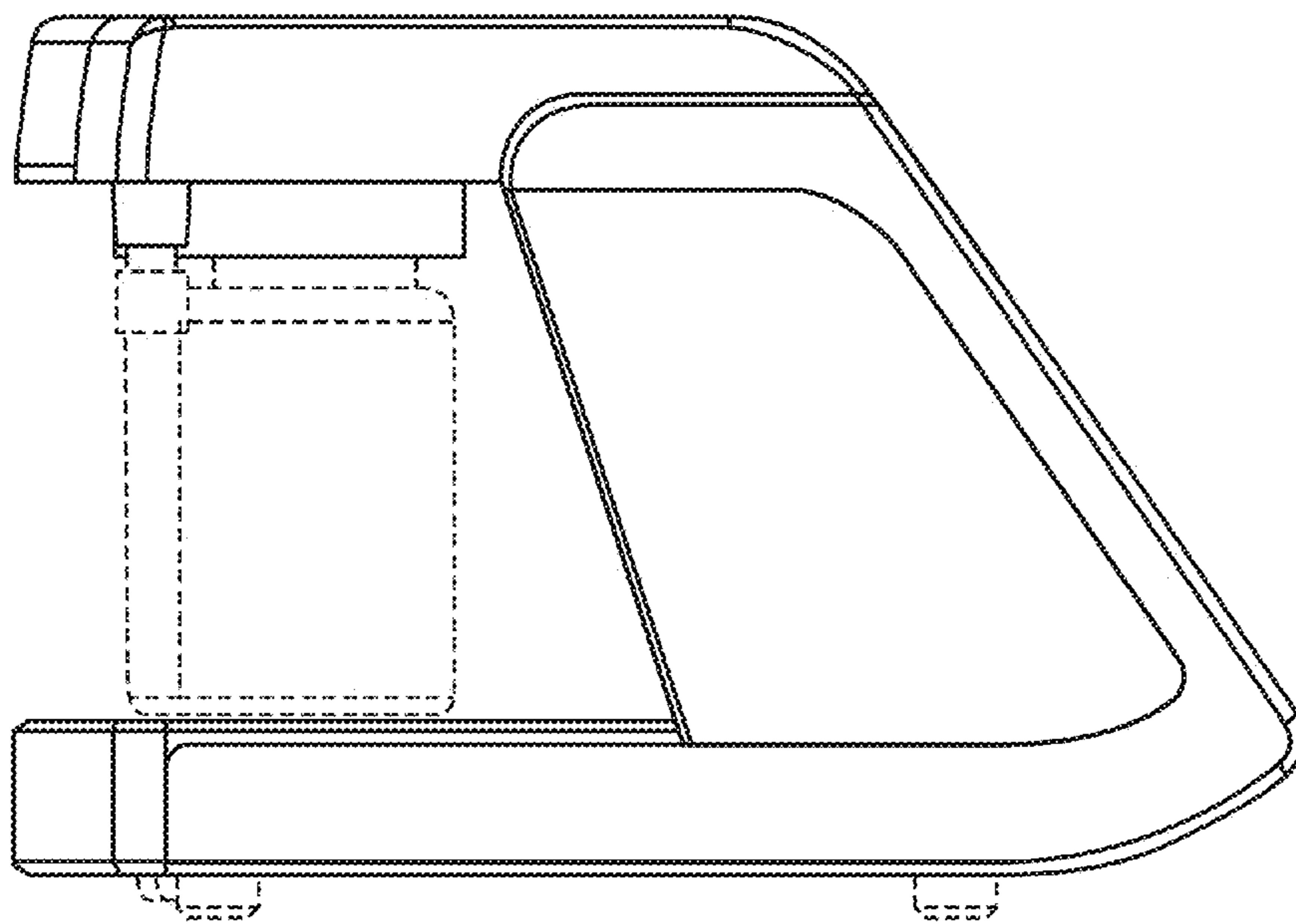


FIG. 3

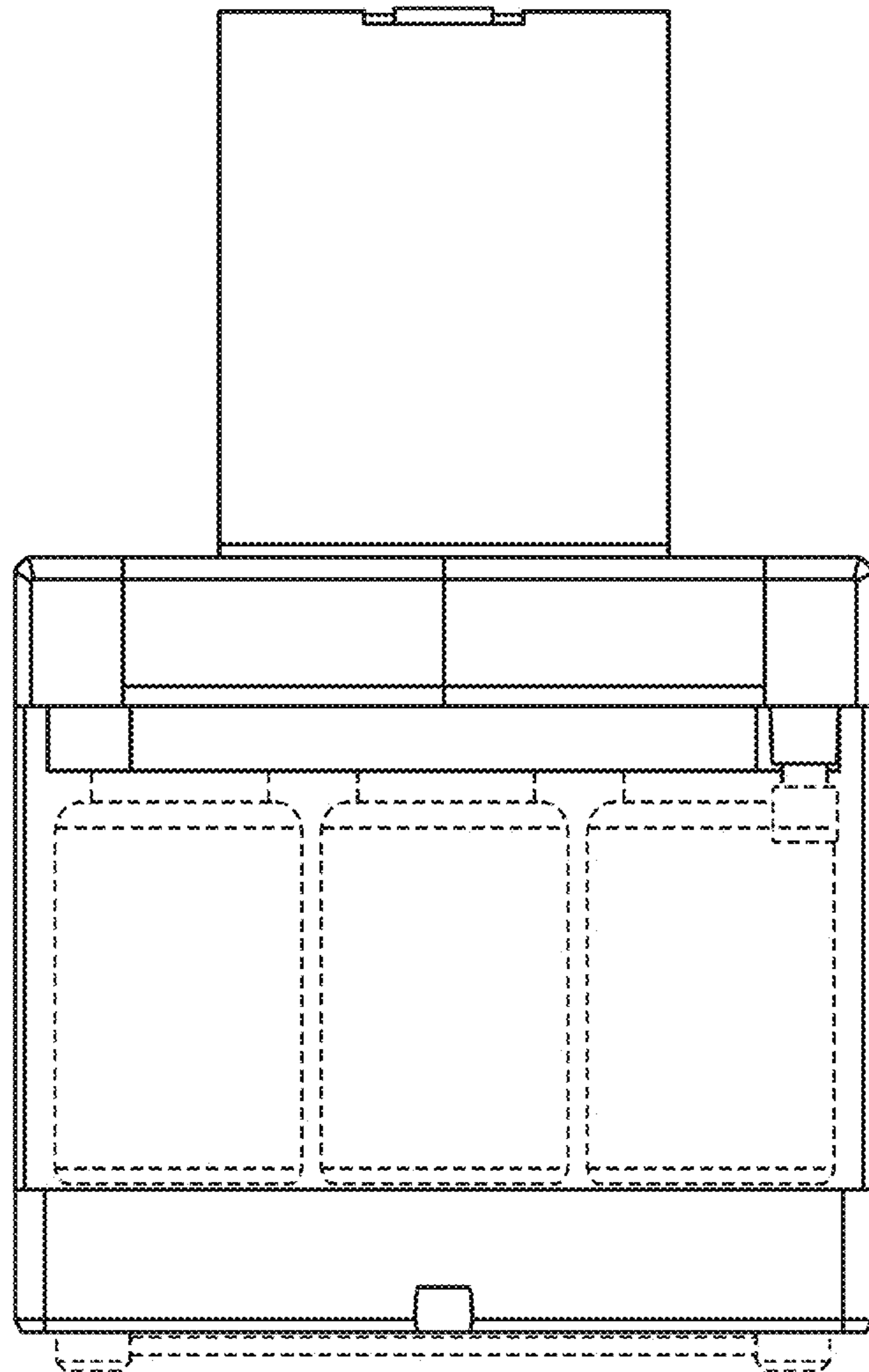


FIG. 4

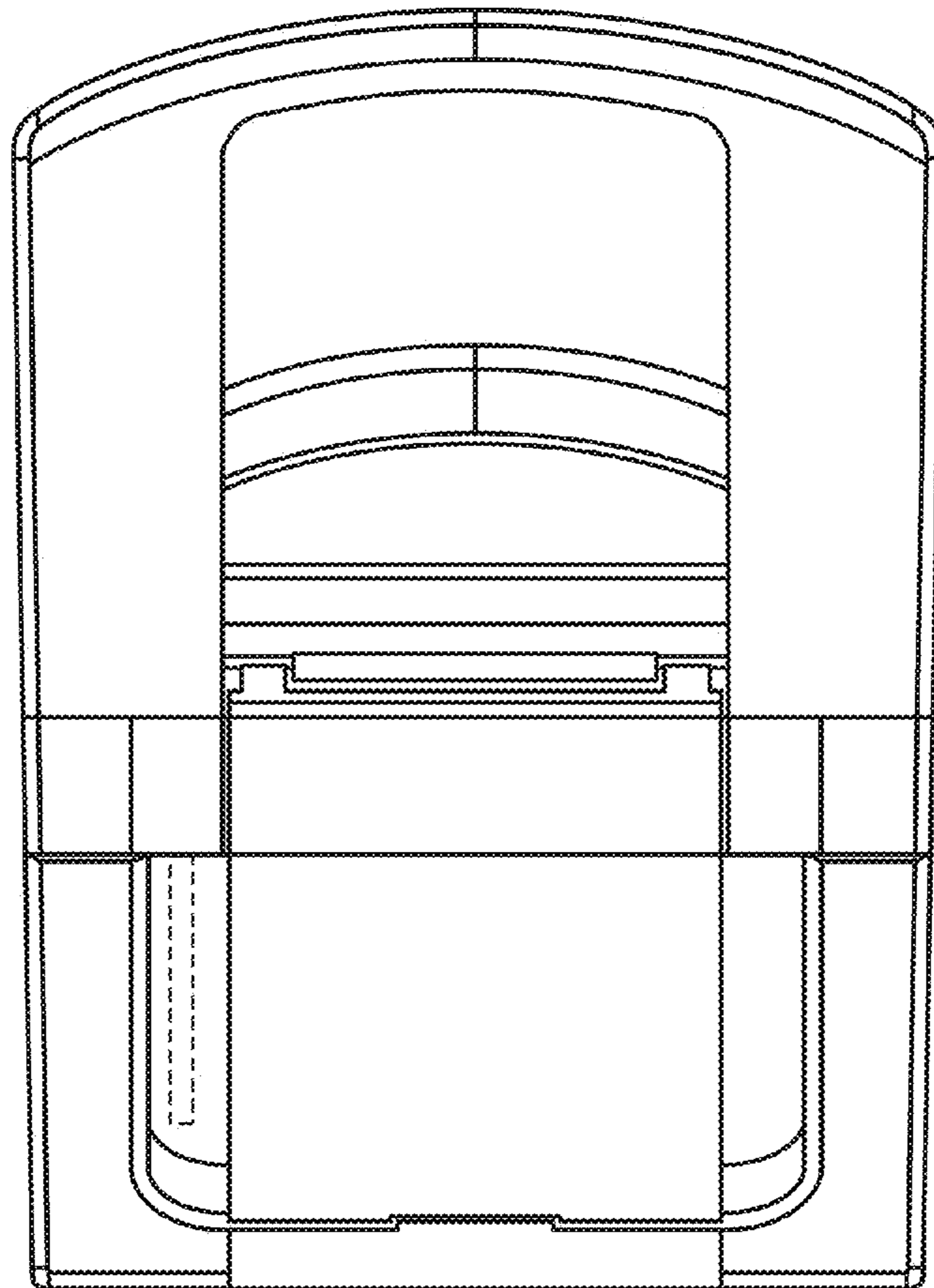


FIG. 5

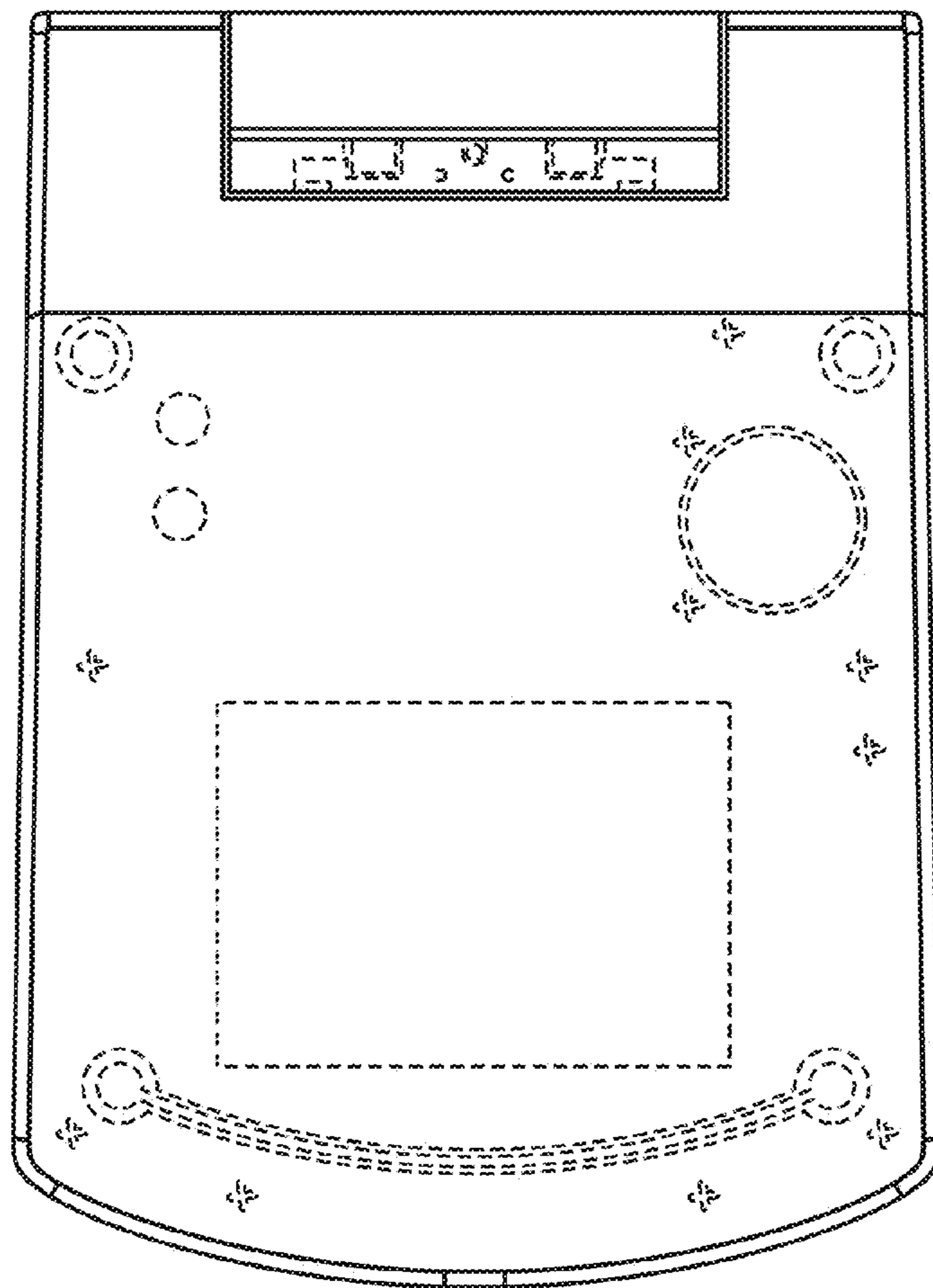


FIG. 6

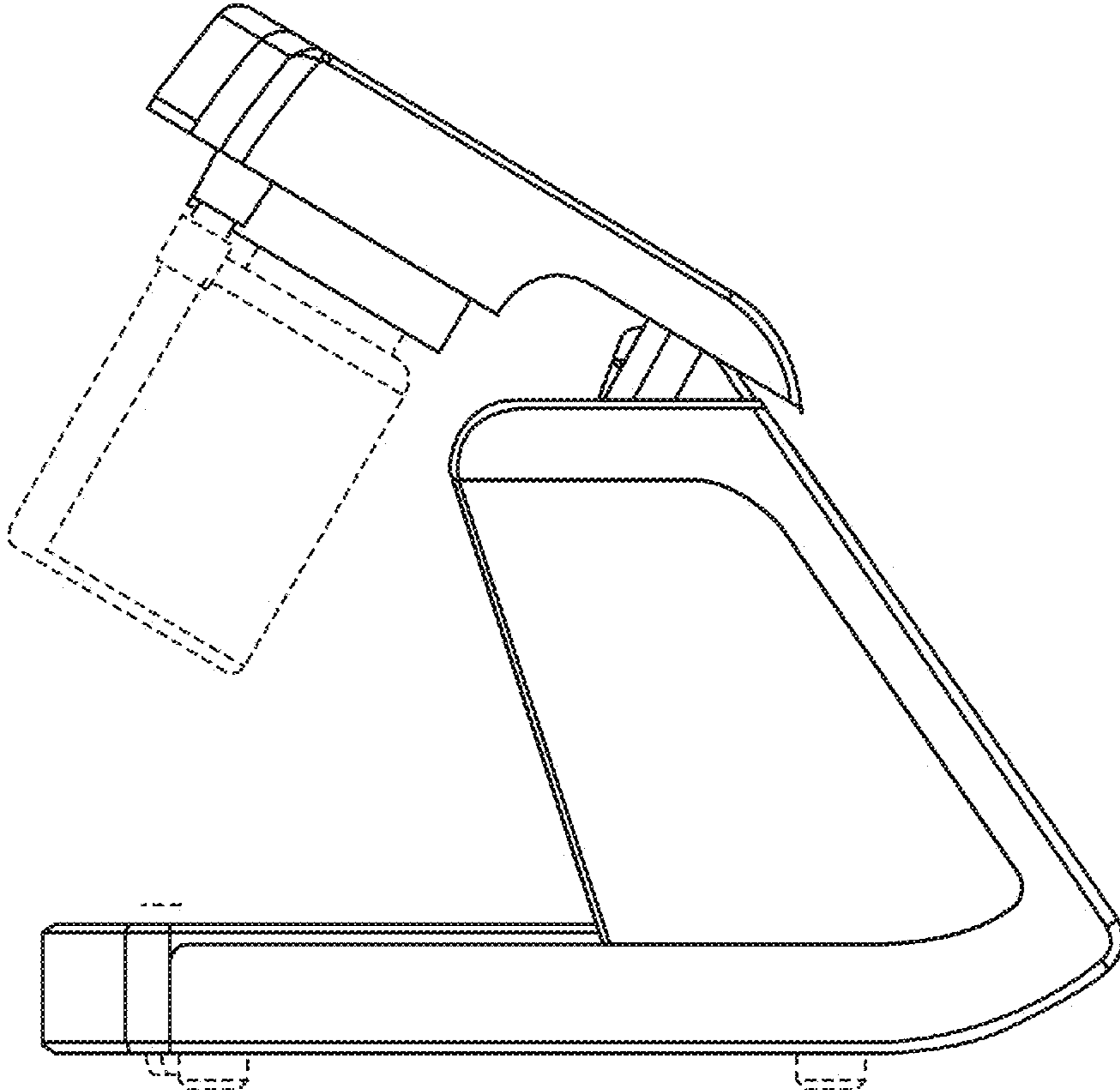


FIG. 7

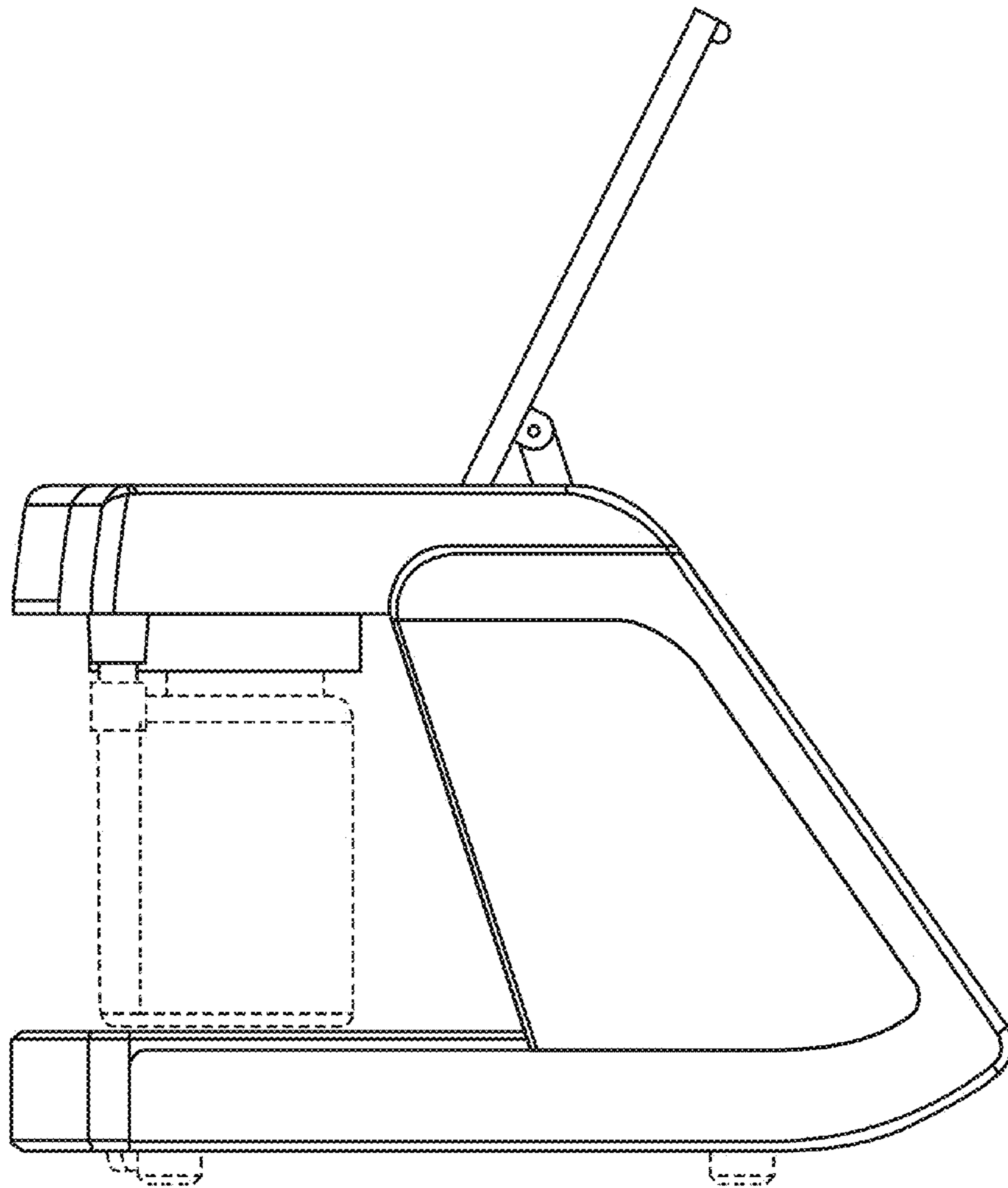


FIG. 8

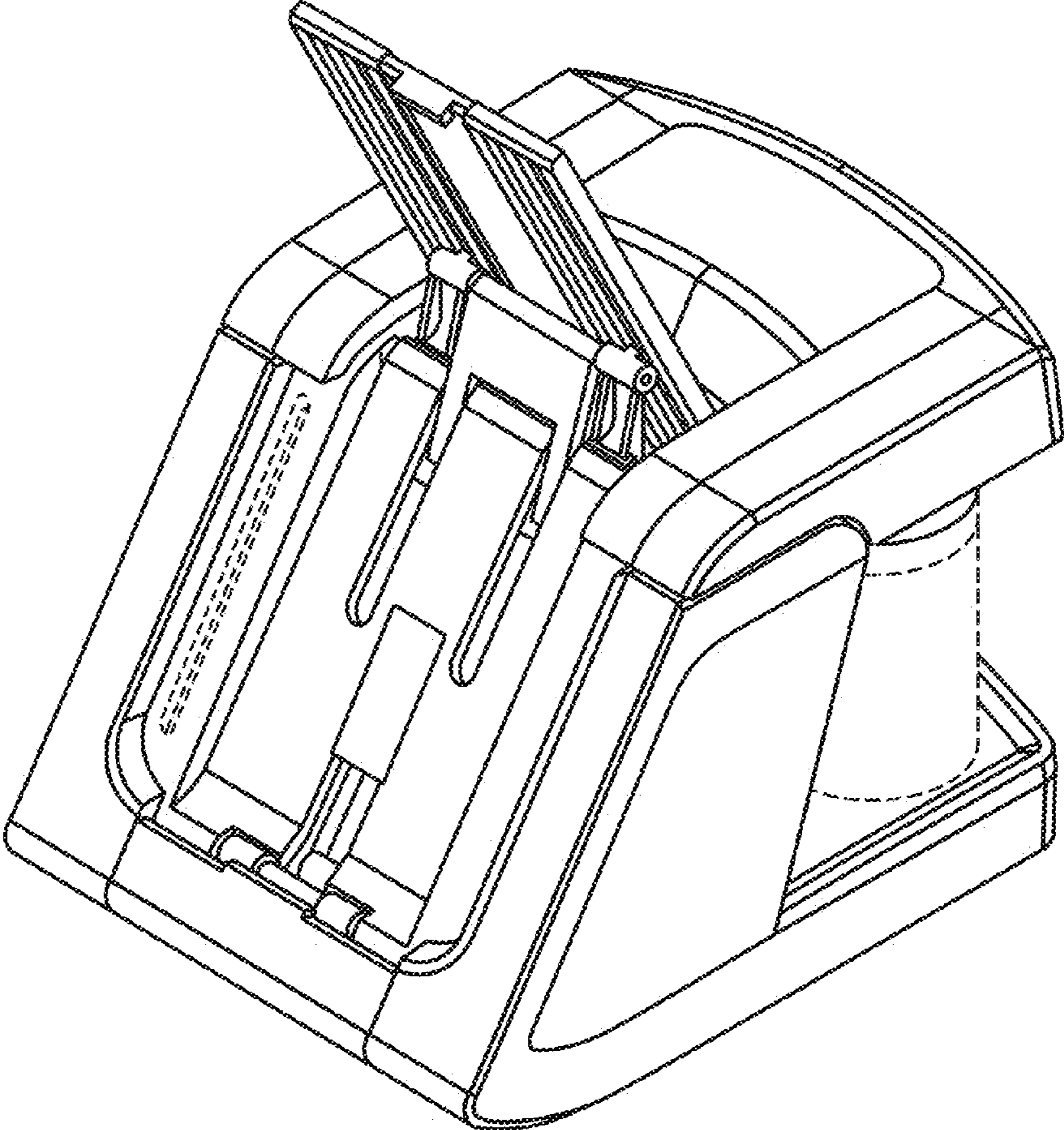


FIG. 9