



US00D752235S

(12) **United States Design Patent**  
**Levi et al.**

(10) **Patent No.:** **US D752,235 S**  
(45) **Date of Patent:** **\*\* Mar. 22, 2016**

(54) **SKIN TIGHTENING DEVICE**

D504,124 S \* 4/2005 Zeitman ..... D14/168  
D505,293 S \* 5/2005 Jung ..... D7/354  
D540,775 S \* 4/2007 Zhang ..... D14/168

(71) Applicants: **BenZion Levi**, Kibbutz Habonim (IL);  
**Eyal Aggasi**, Karmiel (IL); **Moshe**  
**Marciano**, Galya (IL)

(Continued)

(72) Inventors: **BenZion Levi**, Kibbutz Habonim (IL);  
**Eyal Aggasi**, Karmiel (IL); **Moshe**  
**Marciano**, Galya (IL)

FOREIGN PATENT DOCUMENTS

CN 30144449 \* 12/2009  
GB 2050141 \* 1/1996

(Continued)

(73) Assignee: **Home Skinovations Ltd.**, Yokneam (IL)

OTHER PUBLICATIONS

(\*\*) Term: **14 Years**

Mini Ultrasonic Cavitation Sliming Machine for Skin Tightening,  
Weight Loss SUS-A, Announced Mar. 14, 2011, [ Site Visited May 6,  
2015 ] [http://www.slimming-beautymachine.com/china-mini\\_ultrasonic\\_cavitation\\_sliming\\_machine\\_for\\_skin\\_tightening\\_weight\\_loss\\_sus\\_a-471923.html](http://www.slimming-beautymachine.com/china-mini_ultrasonic_cavitation_sliming_machine_for_skin_tightening_weight_loss_sus_a-471923.html).\*

(Continued)

(21) Appl. No.: **29/471,024**

(22) Filed: **Oct. 28, 2013**

(51) **LOC (10) CI.** ..... **28-03**

(52) **U.S. CI.**  
USPC ..... **D24/200**

(58) **Field of Classification Search**  
USPC ..... D24/200, 187, 215, 214; D14/194, 196,  
D14/168, 509, 434; D13/107; D7/354, 412,  
D7/361; 206/301; 99/403; 607/3, 101  
CPC .... B65D 85/40; A47J 36/20; A61M 5/14276;  
A61B 18/18

See application file for complete search history.

*Primary Examiner* — John Windmuller  
*Assistant Examiner* — Luqman McNeil

(74) *Attorney, Agent, or Firm* — Dekel Patent Ltd.; David Klein

(57) **CLAIM**

The ornamental design for a device for tightening of skin, as shown and described.

**DESCRIPTION**

(56) **References Cited**

U.S. PATENT DOCUMENTS

D331,466 S \* 12/1992 Doria ..... D24/200  
D358,654 S \* 5/1995 Smith ..... D24/200  
D378,213 S \* 2/1997 Hanig et al. .... D14/194  
D442,284 S \* 5/2001 Ferber ..... D24/200  
6,273,246 B1 \* 8/2001 Marciano ..... 206/301  
D452,138 S \* 12/2001 Murata ..... D8/383  
D463,782 S \* 10/2002 Chan ..... D14/196  
D483,345 S \* 12/2003 Murakami ..... D14/168  
D485,251 S \* 1/2004 Lee ..... D14/509  
D486,468 S \* 2/2004 Suzuki ..... D14/168  
D488,439 S \* 4/2004 Orthey ..... D13/107  
6,807,899 B2 \* 10/2004 Dirand ..... 99/403  
D499,083 S \* 11/2004 Tanaka ..... D14/168

FIG. 1 is a perspective view of a device for tightening of skin, showing my new design;

FIG. 2 is a right side view thereof;

FIG. 3 is a left side view thereof;

FIG. 4 is a front view thereof;

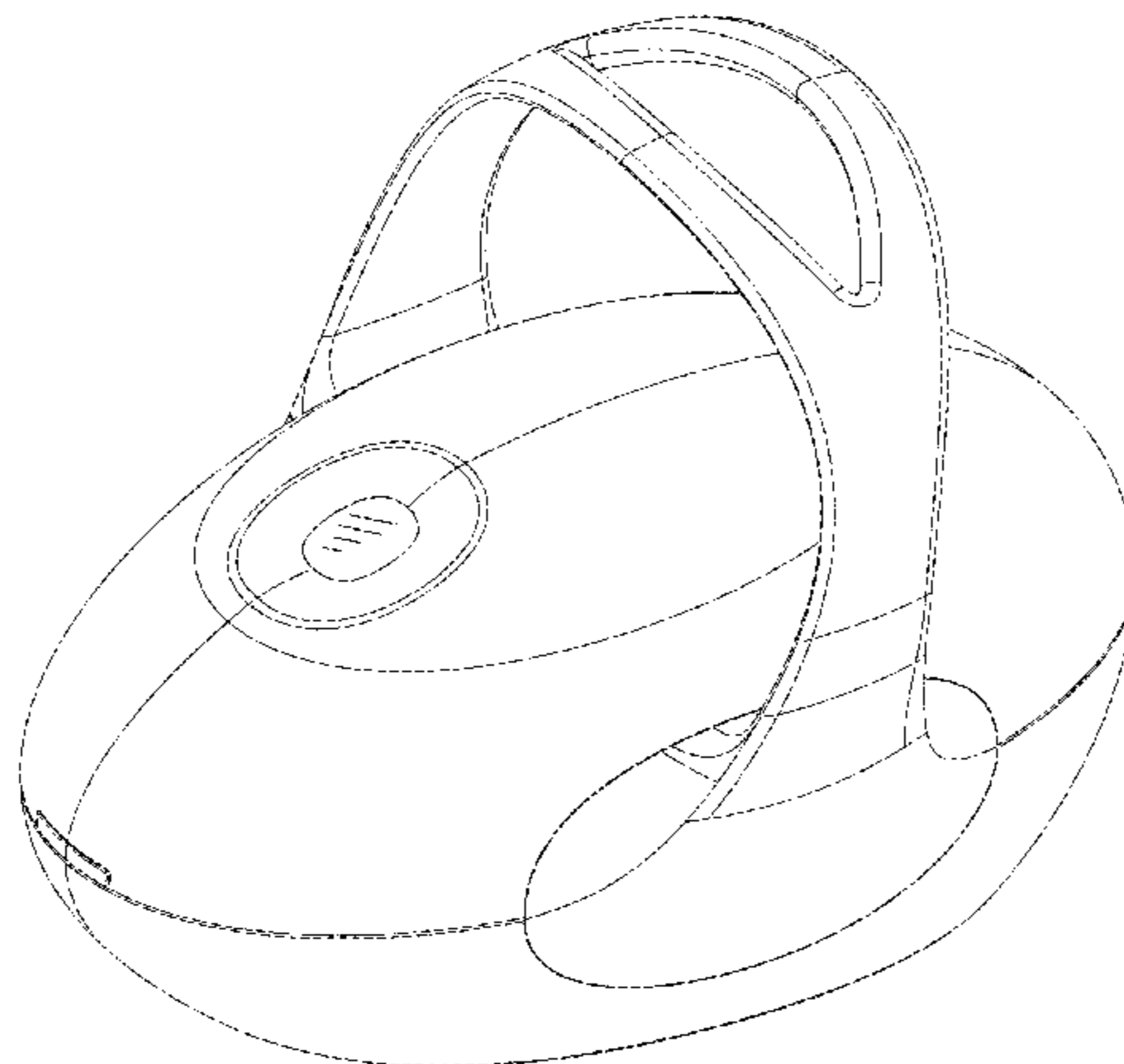
FIG. 5 is a top view thereof; and,

FIG. 6 is a bottom view thereof.

The broken lines are for environmental purposes only and form no part of the claimed design.

The nature and intended use of the article in which the design is embodied is that of a light energy device for tightening of skin.

**1 Claim, 6 Drawing Sheets**



(56)

References Cited

U.S. PATENT DOCUMENTS

D545,444 S \* 6/2007 Cianfrani ..... D24/200  
 D597,211 S \* 7/2009 Ewing et al. .... D24/187  
 D604,092 S \* 11/2009 Kotani ..... D7/354  
 D609,522 S \* 2/2010 Nakatani ..... D7/354  
 D616,103 S \* 5/2010 Ford-Robertson ..... D24/200  
 D621,405 S \* 8/2010 Waite et al. .... D14/434  
 D629,118 S \* 12/2010 Yeo ..... D24/214  
 D632,128 S \* 2/2011 Lam ..... D7/354  
 D637,452 S \* 5/2011 Nakatani ..... D7/354  
 D640,502 S \* 6/2011 Picozza et al. .... D7/412  
 D641,586 S \* 7/2011 Martin ..... D7/361  
 D649,258 S \* 11/2011 Lev-Ran ..... D24/215  
 D657,885 S \* 4/2012 Imboden et al. .... D24/215  
 D664,665 S \* 7/2012 Wahng et al. .... D24/214  
 2005/0234516 A1 \* 10/2005 Gueret ..... 607/3  
 2006/0173518 A1 \* 8/2006 Kreindel ..... 607/101

FOREIGN PATENT DOCUMENTS

KR 300609073.0001 \* 8/2011  
 KR 300612738.0000 \* 9/2011  
 RU 00070180 \* 4/2009

OTHER PUBLICATIONS

Portable RF Skin Tightening Machine for Home Use (RF010) ,  
 Announced Nov. 18, 2011, [ Site Visited May 6, 2015 ] <http://gzidealbeauty.en.alibaba.com/product/1122665620-219352465/>  
 Portable\_RF\_Skin\_Tightening\_Machine\_for\_Home\_Use\_  
 RF010\_.html.\*

\* cited by examiner

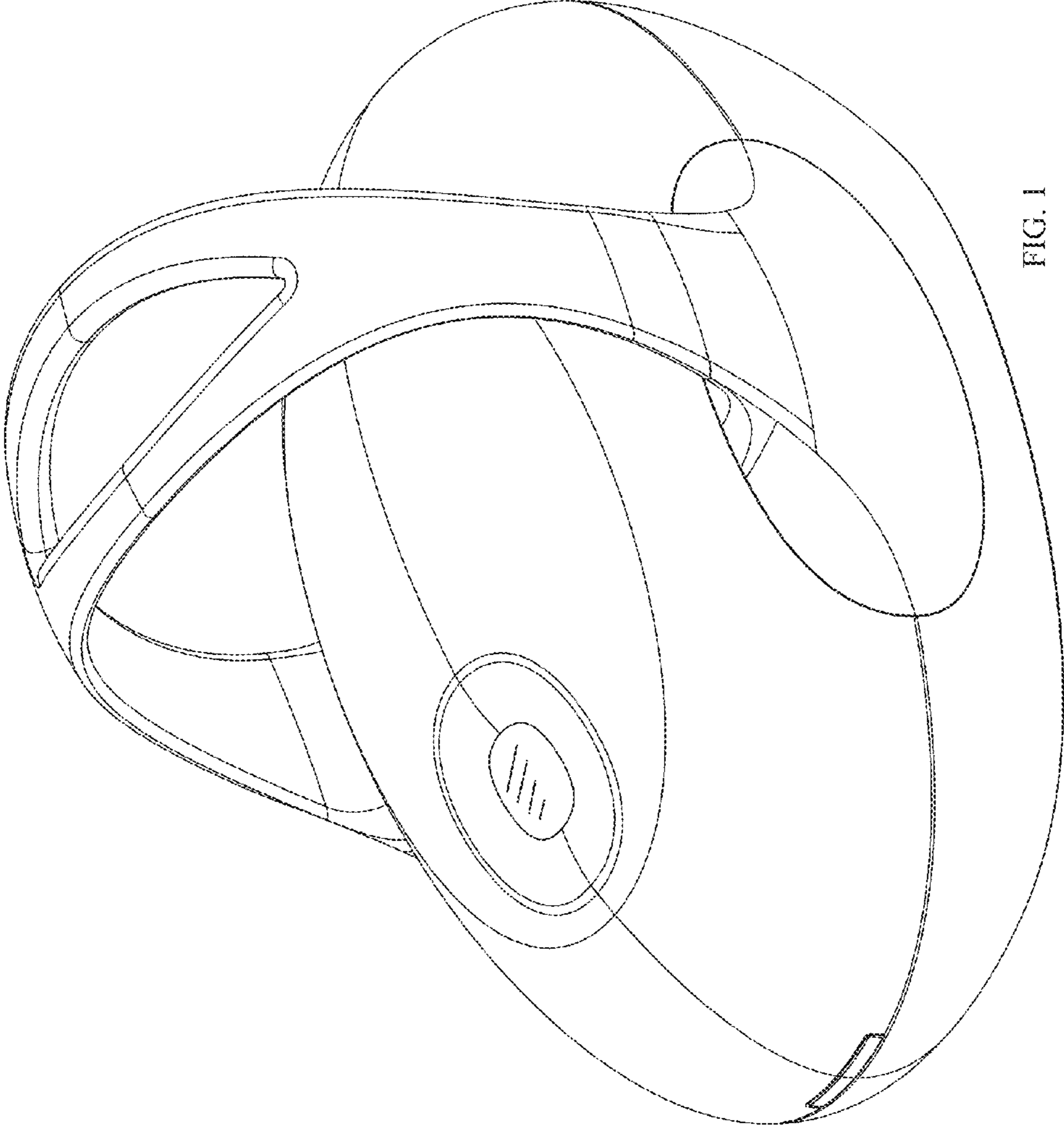


FIG. 1

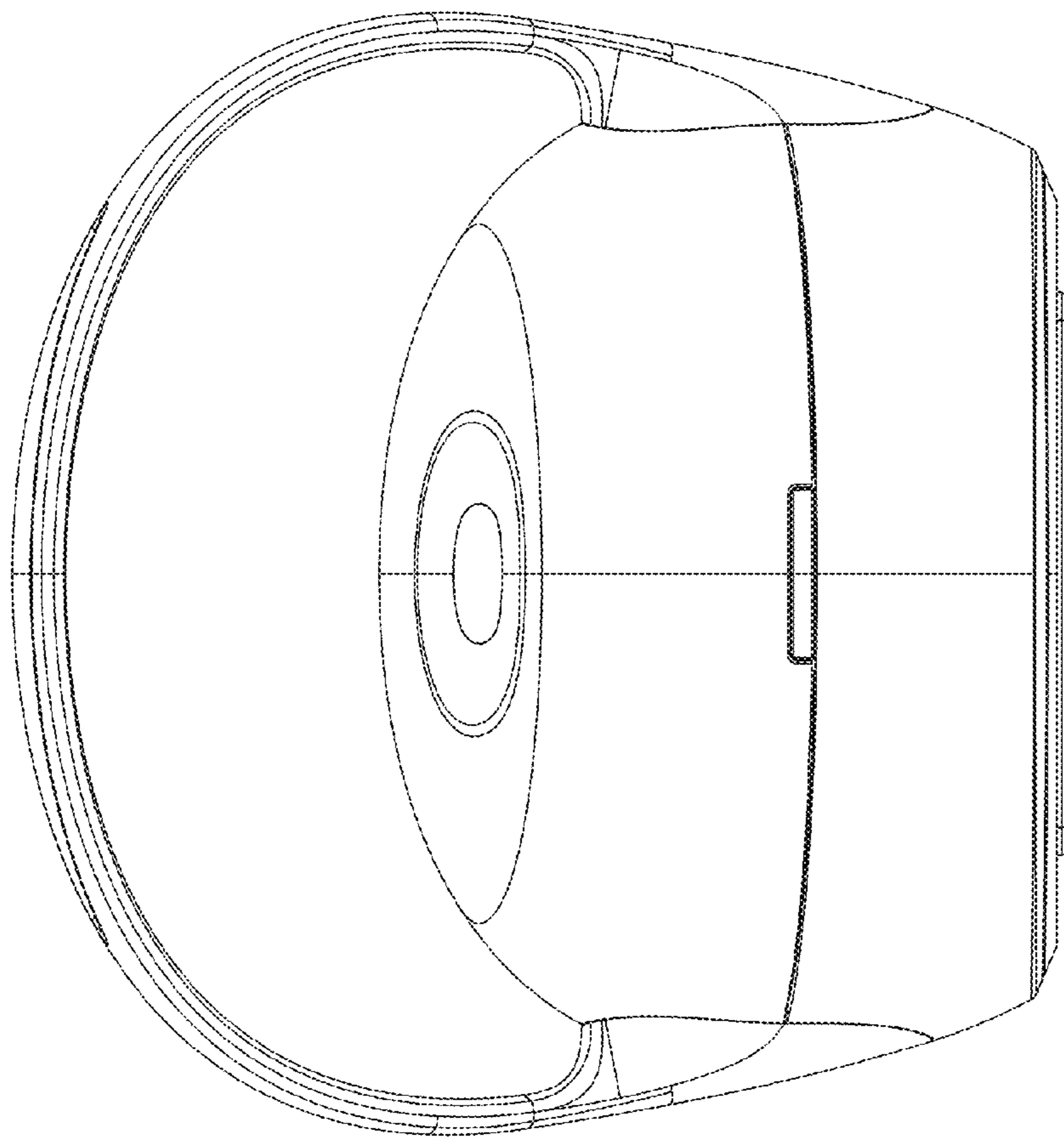


FIG. 2

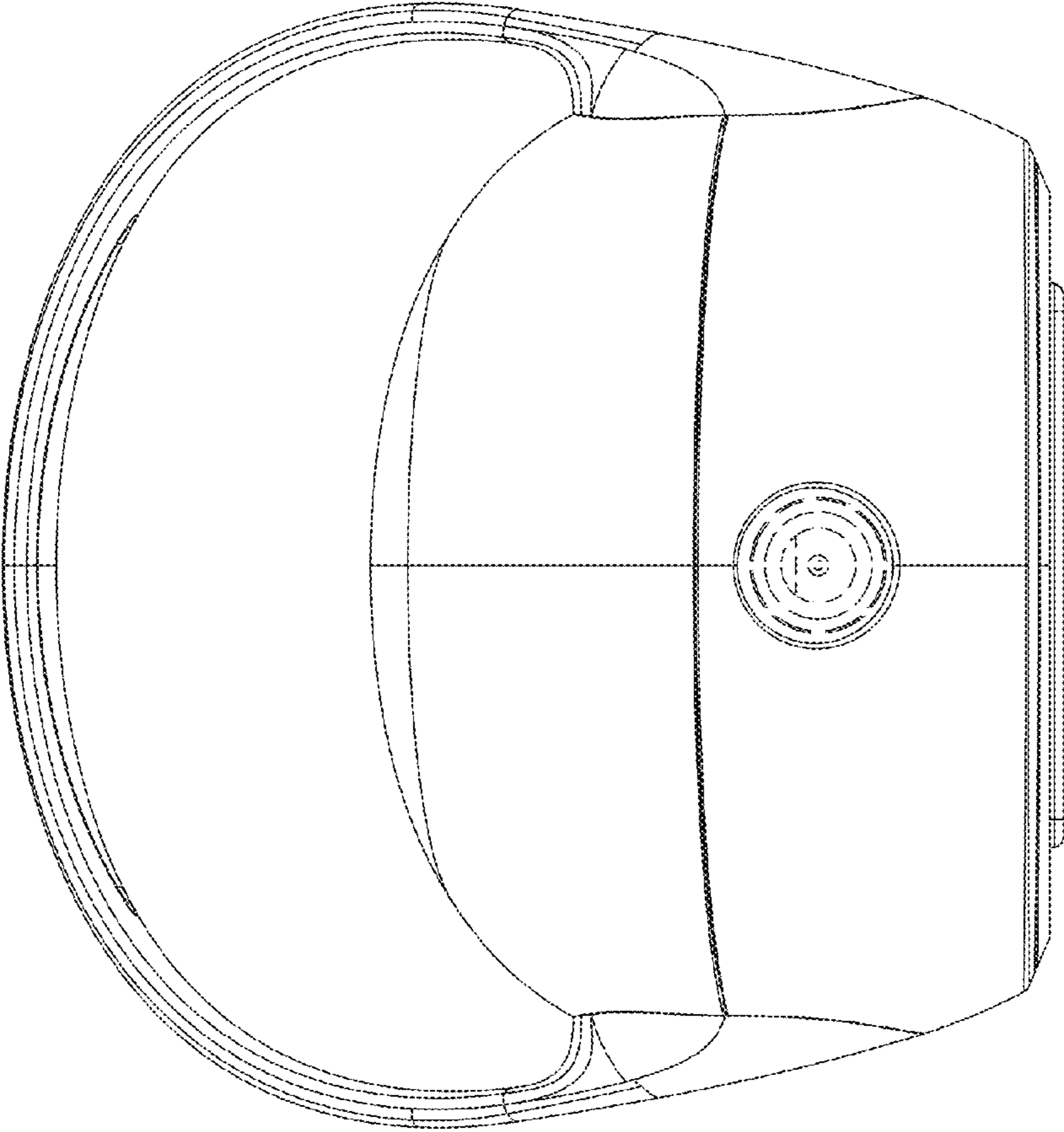


FIG. 3

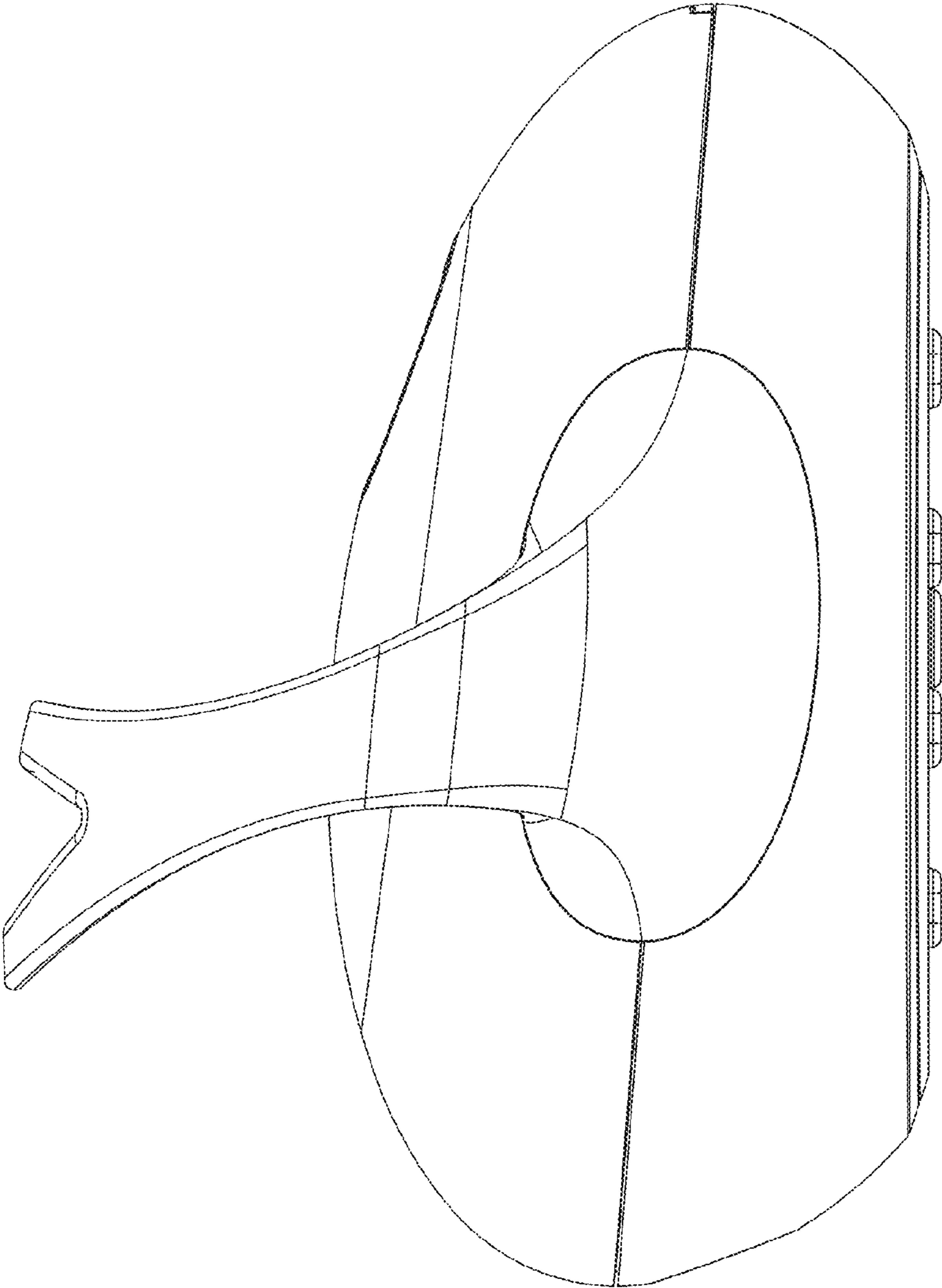


FIG. 4

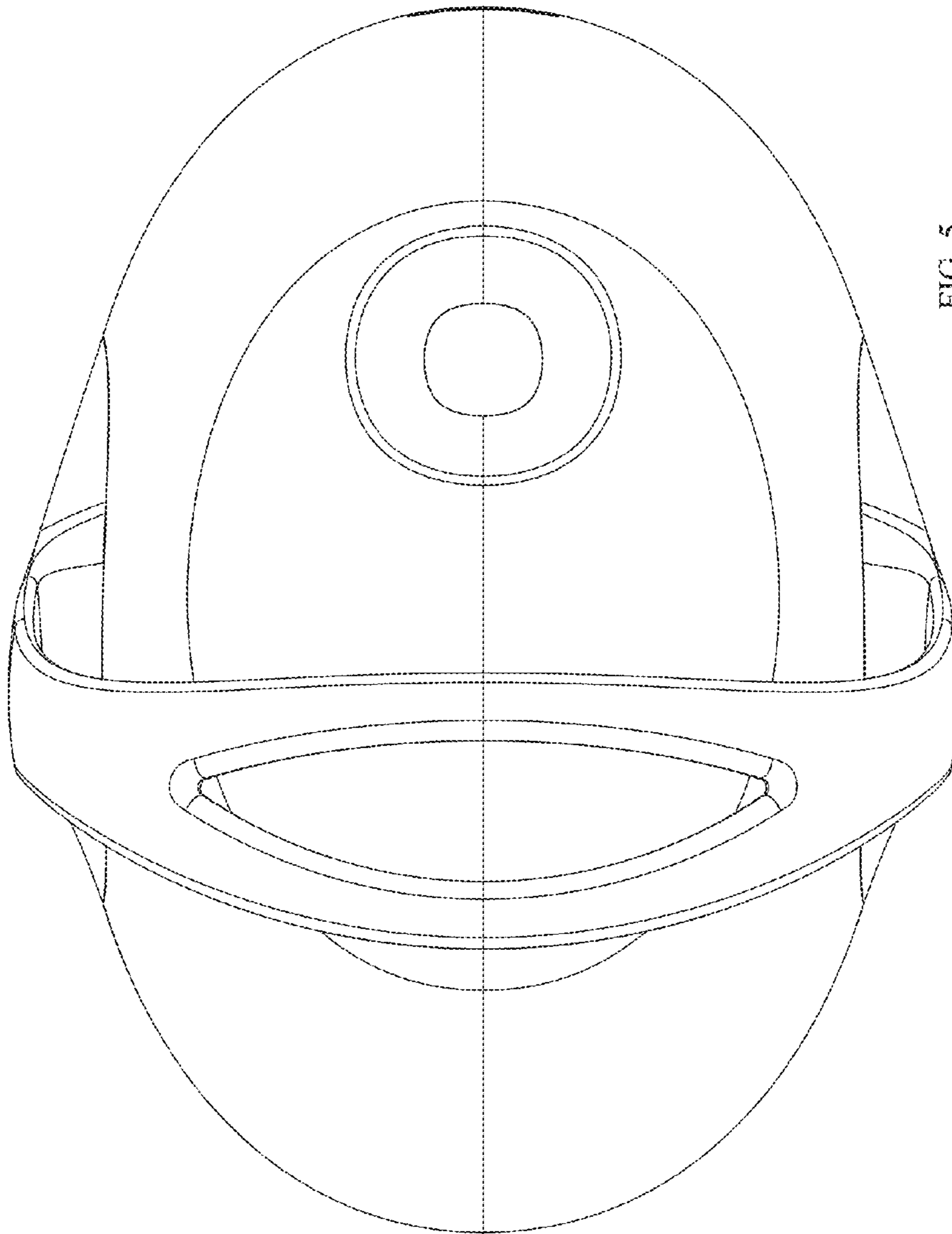


FIG. 5

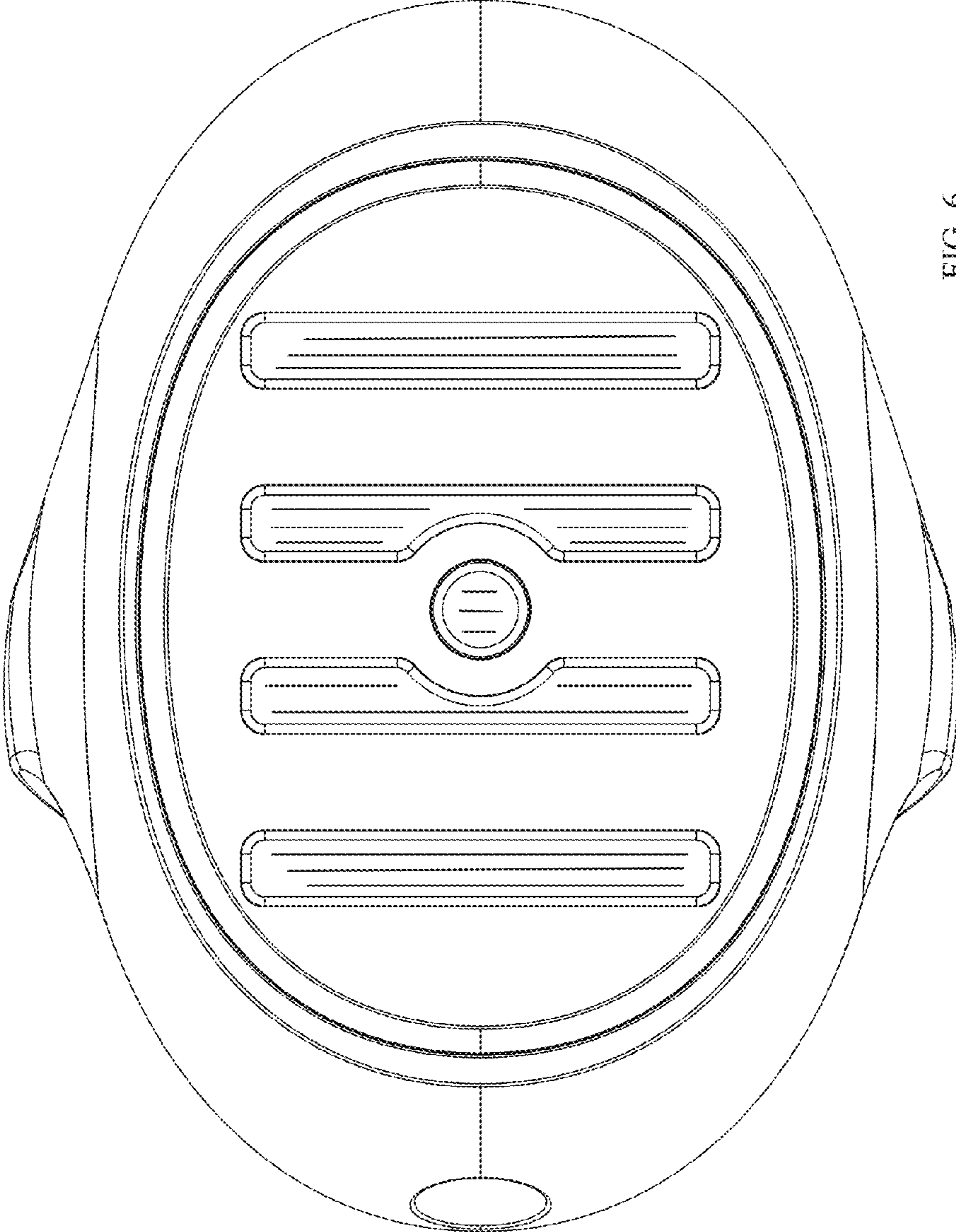


FIG. 6