



US00D752232S

(12) **United States Design Patent**
Hacker et al.

(10) **Patent No.:** **US D752,232 S**
(45) **Date of Patent:** **** Mar. 22, 2016**

- (54) **BIOPSY SYSTEM CONSOLE**
- (71) Applicant: **C. R. Bard, Inc.**, Tempe, AZ (US)
- (72) Inventors: **Thomas G. Hacker**, Anaheim, CA (US);
Angela K. Jensen, Mesa, AZ (US);
Derek J. Daw, Huntington Beach, CA (US)
- (73) Assignee: **C. R. Bard, Inc.**, Murray Hill, NJ (US)
- (**) Term: **15 Years**
- (21) Appl. No.: **29/535,755**
- (22) Filed: **Aug. 10, 2015**

- D394,527 S 5/1998 Pochopien et al.
- D399,617 S 10/1998 Fujita
- D429,855 S 8/2000 Griffin
- D432,746 S 10/2000 Frey
- D447,293 S 8/2001 Griffin
- D467,001 S * 12/2002 Buczek D24/172
- D467,349 S 12/2002 Niedbala et al.
- D468,420 S 1/2003 Bolmsjo
- D484,285 S 12/2003 Schroter
- D491,704 S 6/2004 Shin
- D492,458 S 6/2004 Jarast
- D505,804 S 6/2005 Chen
- D512,545 S 12/2005 Griffin
- D516,265 S 2/2006 Jarast
- 7,009,840 B2 3/2006 Clark et al.
- D527,152 S 8/2006 Chen
- D533,693 S 12/2006 Lee

(Continued)

Related U.S. Application Data

- (62) Division of application No. 29/472,541, filed on Nov. 13, 2013, now Pat. No. Des. 739,537.
- (51) **LOC (10) Cl.** **24-00**
- (52) **U.S. Cl.**
USPC **D24/185**
- (58) **Field of Classification Search**
USPC D24/185, 172, 158, 164, 186, 234, 128;
D6/653.15, 708.17, 708, 690, 696.1,
D6/691.4, 353, 656.15, 486, 349, 405,
D6/368; 108/24
CPC B01L 9/02
See application file for complete search history.

(56) **References Cited**

U.S. PATENT DOCUMENTS

- D107,970 S 1/1938 Pfäuser
- D327,966 S 7/1992 Hikawa
- D344,377 S 2/1994 Thomas
- D366,318 S 1/1996 Lukac et al.
- D373,665 S 9/1996 Nakamura et al.
- D382,680 S 8/1997 Meelen
- D391,700 S 3/1998 Hughes

Primary Examiner — Holly Baynham
Assistant Examiner — Rhea Shields

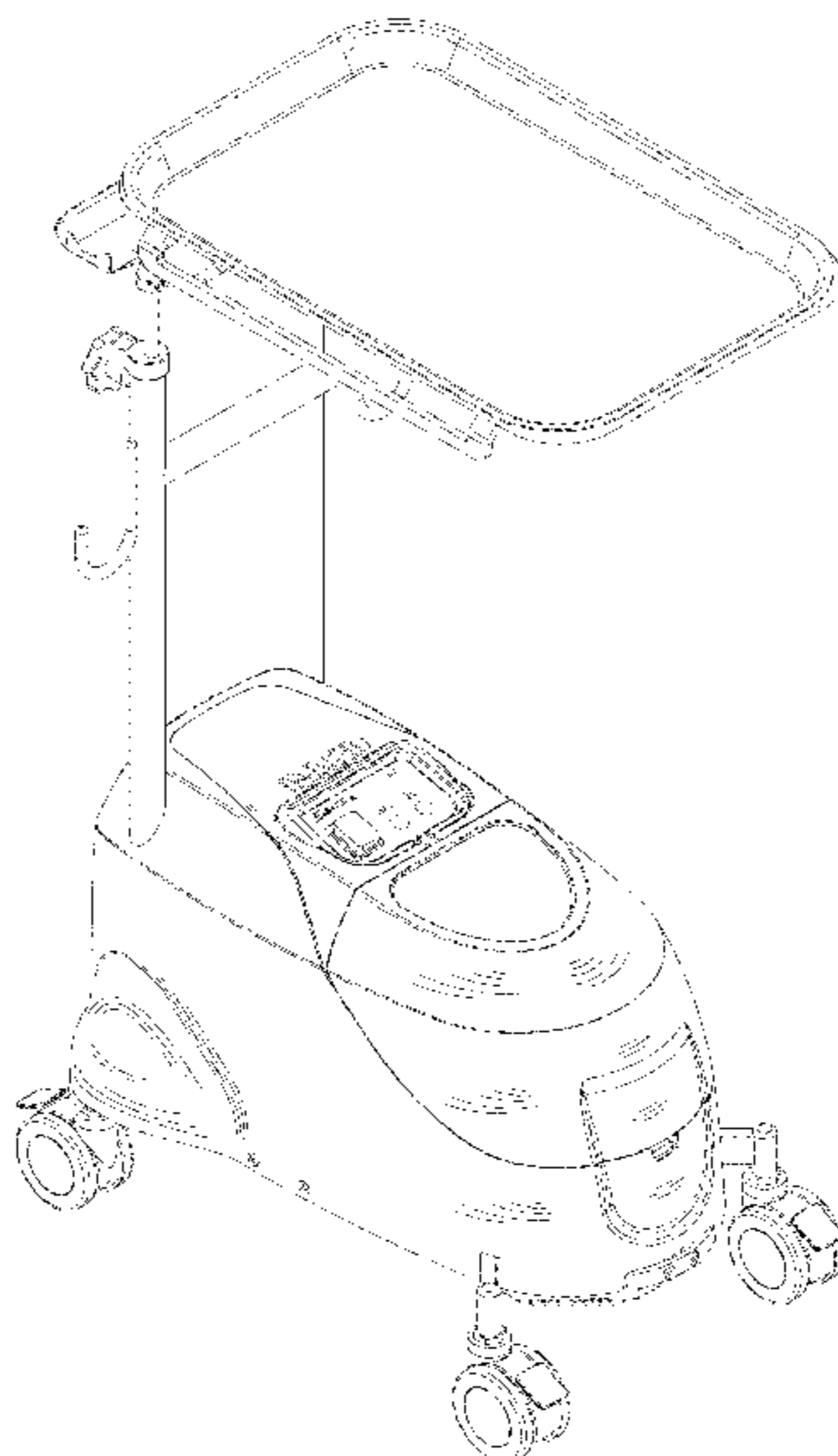
(57) **CLAIM**

The ornamental design for a biopsy system console, as shown and described.

DESCRIPTION

FIG. 1 is a perspective view of a biopsy system console showing our new design;
 FIG. 2 is a front view of the biopsy system console of FIG. 1, with the cover in the closed position;
 FIG. 3 is a front view of the biopsy system console of FIG. 1, with the cover in the open position;
 FIG. 4 is a left side view of the biopsy system console of FIG. 1;
 FIG. 5 is a right side view of the biopsy system console of FIG. 1; and,
 FIG. 6 is a rear view of the biopsy system console of FIG. 1.
 In the drawings, the broken lines are for the purpose of illustrating environment only and form no part of the claimed design.

1 Claim, 6 Drawing Sheets



(56)

References Cited

U.S. PATENT DOCUMENTS

D550,362 S 9/2007 Olivera et al.
 D555,792 S 11/2007 Haymann et al.
 D567,381 S * 4/2008 Olivera D24/185
 D568,258 S 5/2008 Adam
 D573,768 S 7/2008 Tuncel
 D575,022 S 8/2008 Girard
 D581,608 S 11/2008 Dammkoehler et al.
 D581,823 S 12/2008 Mori et al.
 D582,621 S 12/2008 Girard
 D603,122 S 10/2009 Balester et al.
 D607,569 S 1/2010 Yukikado et al.
 D612,561 S 3/2010 Hunter et al.
 D613,866 S 4/2010 Tanaka et al.
 D616,619 S 5/2010 Schroeter
 D618,870 S 6/2010 Williams et al.
 D620,220 S 7/2010 Hsu

D626,236 S 10/2010 Ninomiya et al.
 D627,070 S 11/2010 Staufenberg et al.
 D629,523 S 12/2010 Porter et al.
 D639,948 S * 6/2011 Personnelli D24/158
 D640,437 S 6/2011 Opsahl et al.
 D644,544 S 9/2011 Yukikado
 D644,546 S 9/2011 Yukikado
 D650,142 S 12/2011 McRorie
 D662,208 S 6/2012 Otoha et al.
 8,245,652 B2 8/2012 Hung
 D680,650 S 4/2013 Muraoka et al.
 D682,494 S 5/2013 Kim et al.
 D690,012 S * 9/2013 Yanase D24/158
 D690,017 S * 9/2013 Tartaglia D24/185
 D709,202 S * 7/2014 Lamoureux D24/185
 D714,940 S * 10/2014 Kim D24/158
 D739,537 S * 9/2015 Hacker D24/185
 2010/0213679 A1 8/2010 Smith et al.

* cited by examiner

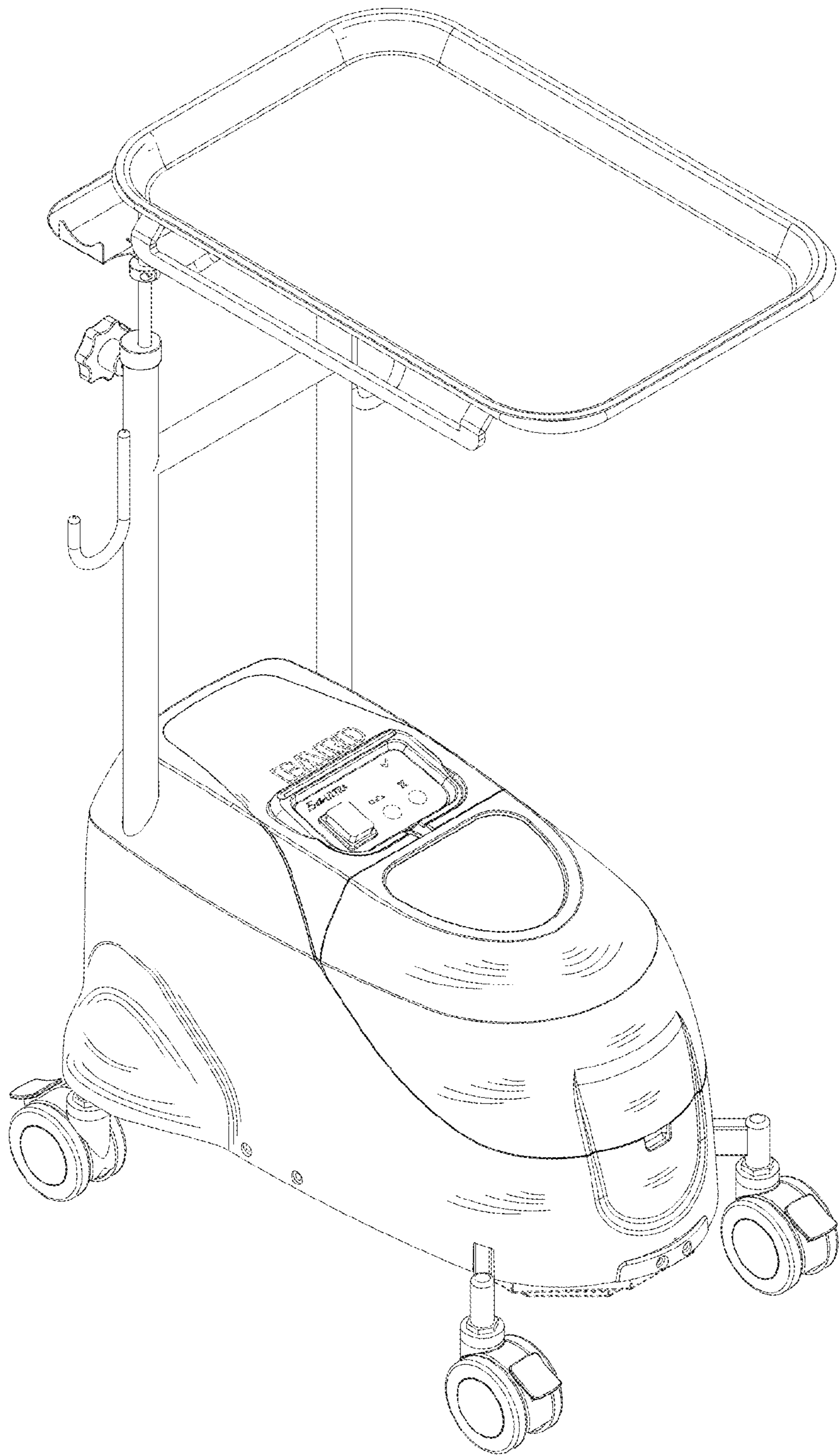


Fig. 1

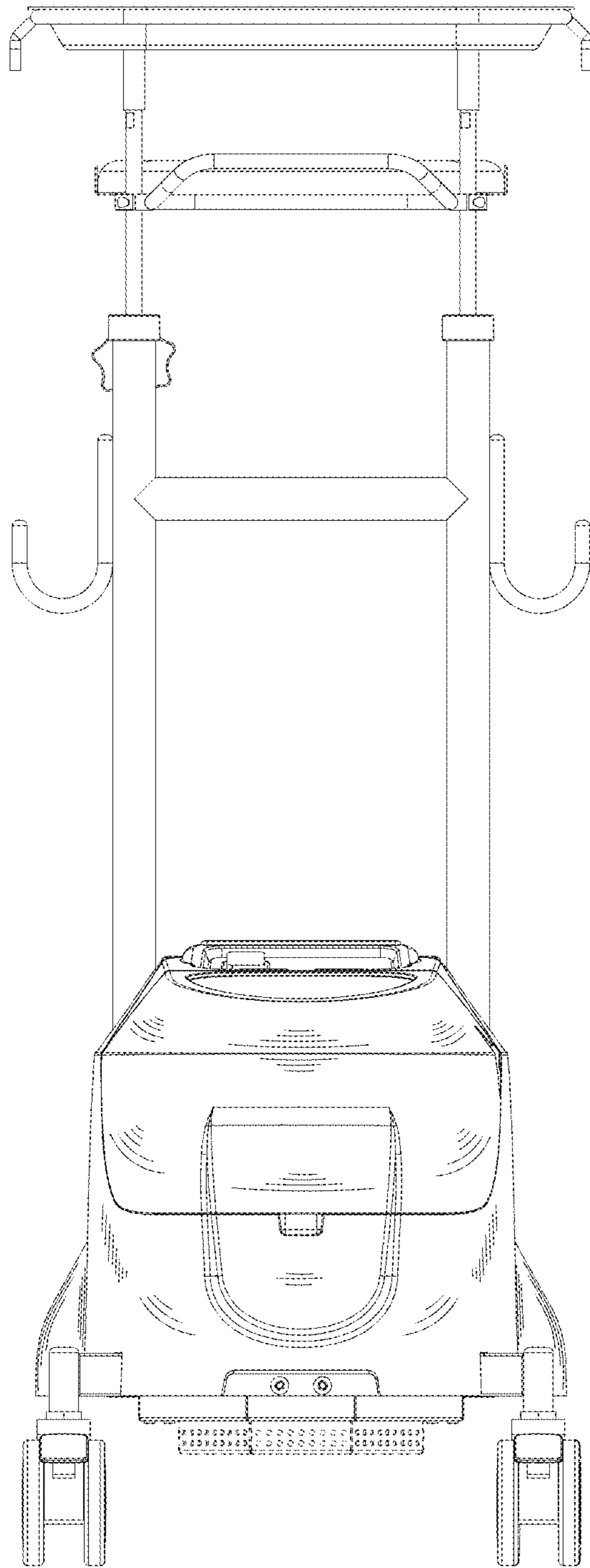


Fig. 2

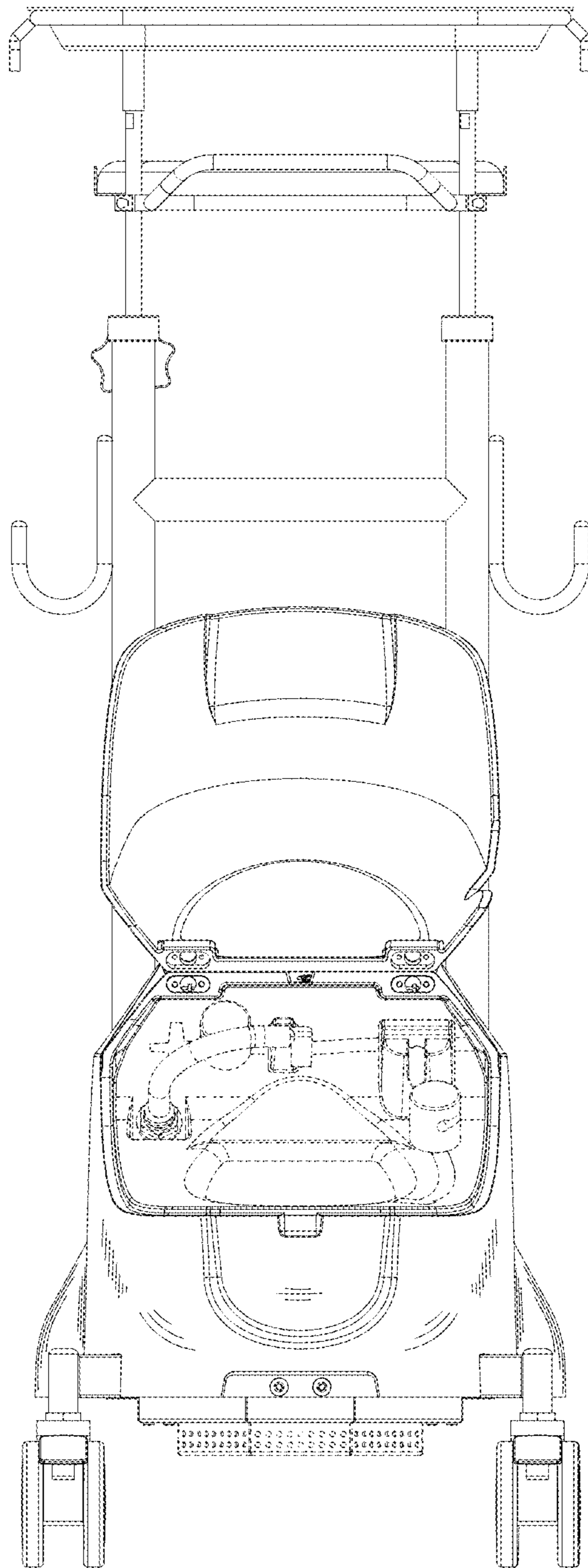


Fig. 3

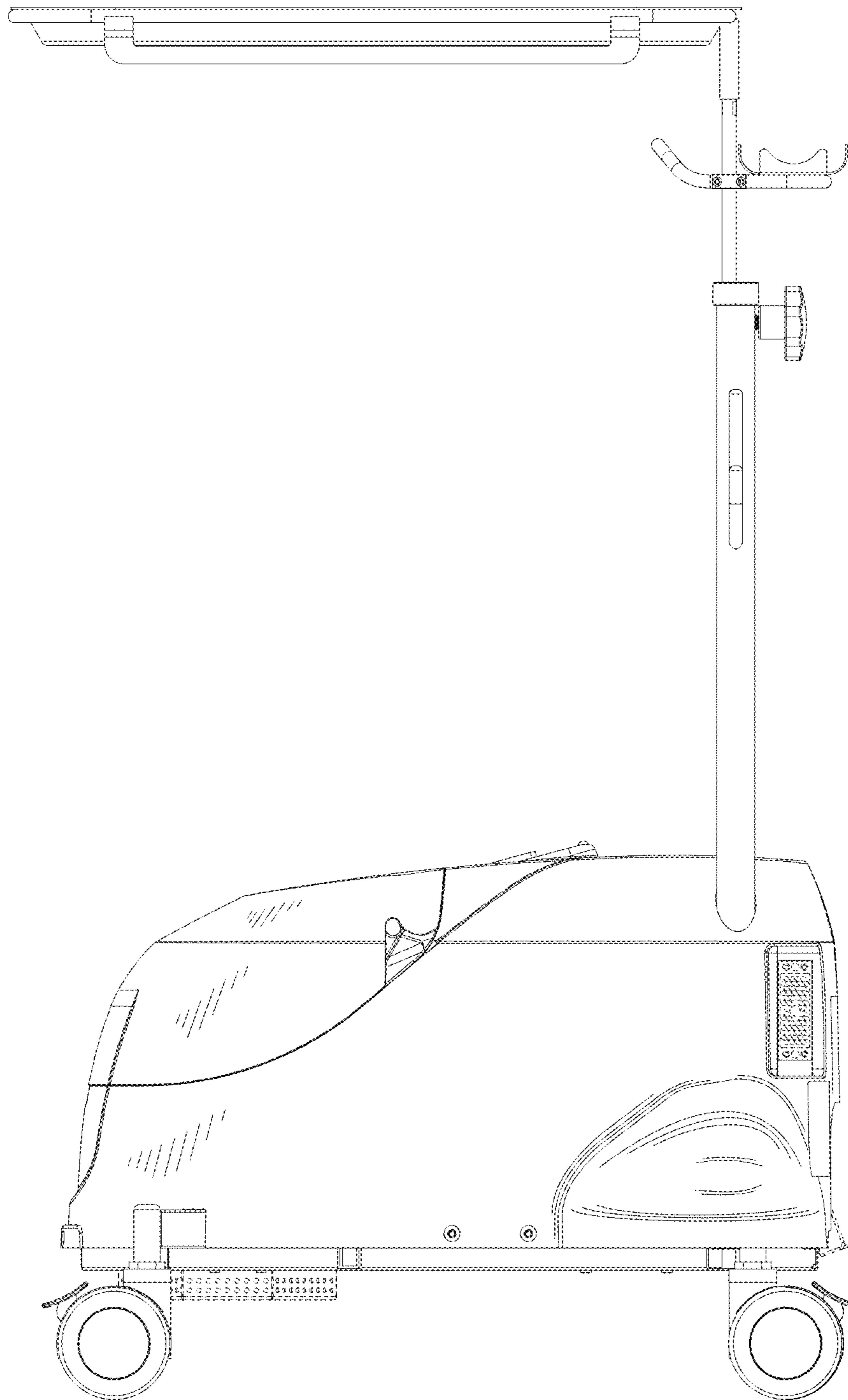


Fig. 4

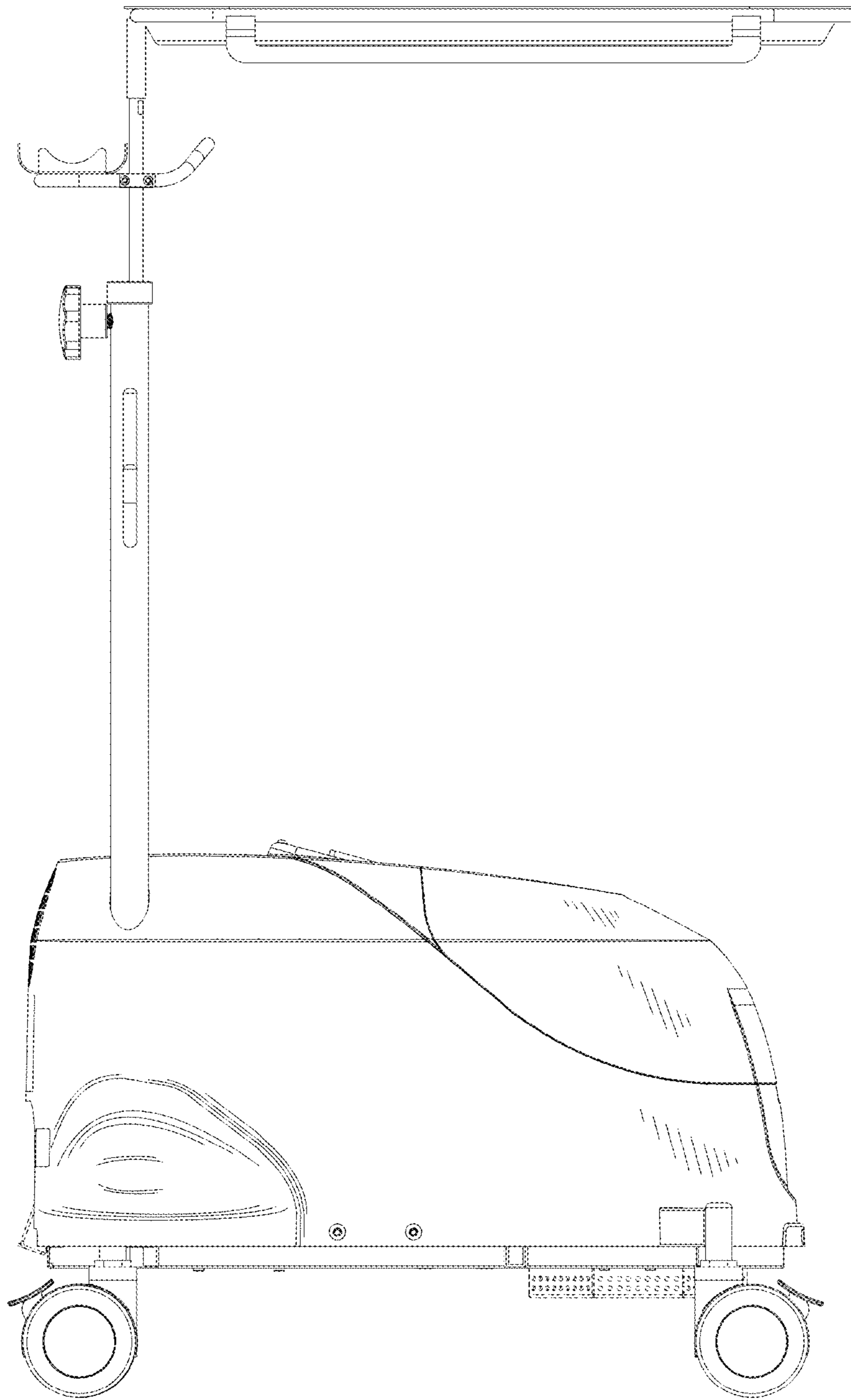


Fig. 5

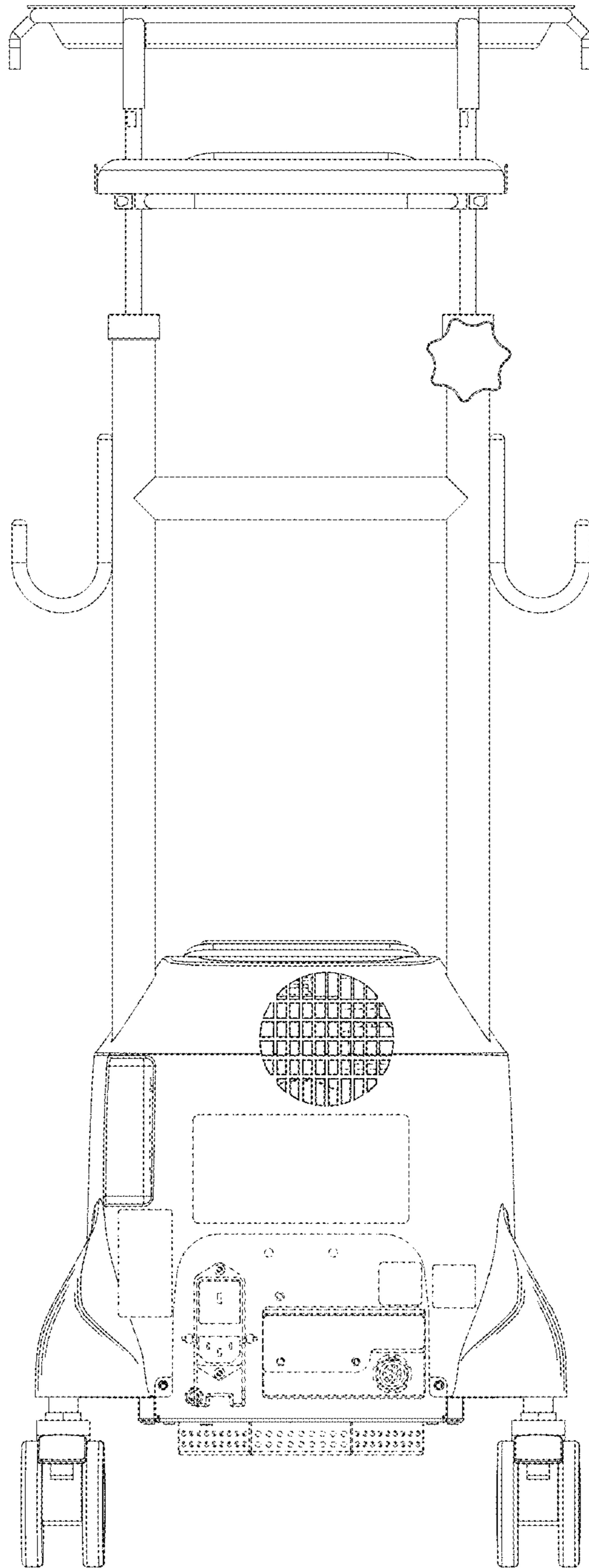


Fig. 6