



US00D752231S

(12) **United States Design Patent**  
**Halter**

(10) **Patent No.:** **US D752,231 S**  
(45) **Date of Patent:** **\*\* Mar. 22, 2016**

(54) **MEDICAL CART FOR AUTO TRANSFUSION**

(71) Applicant: **Fresenius Kabi Deutschland GmbH**,  
Bad Homburg (DE)

(72) Inventor: **Christen Halter**, Mühltal (DE)

(73) Assignee: **Fresenius Kabi Deutschland GmbH**,  
Bad Homburg (DE)

(\*\*) Term: **14 Years**

(21) Appl. No.: **29/504,627**

(22) Filed: **Oct. 8, 2014**

(30) **Foreign Application Priority Data**

Apr. 9, 2014 (EM) ..... 002443978

(51) **LOC (10) Cl.** ..... **24-00**

(52) **U.S. Cl.**  
USPC ..... **D24/185**

(58) **Field of Classification Search**  
USPC ..... D24/185, 144, 158, 187, 188, 200, 234,  
D24/170, 206, 133; D28/9; D13/163;  
601/152, 18; 604/15, 542; 607/102, 90;  
606/9, 14  
CPC .. A61H 9/0078; A61H 23/0218; A61F 13/26;  
A61M 2202/08; A61B 18/1815; A61N 5/06  
See application file for complete search history.

(56) **References Cited**

**U.S. PATENT DOCUMENTS**

D286,922 S \* 11/1986 Takigawa ..... D28/9  
D477,082 S \* 7/2003 Bromley ..... D24/170  
D561,342 S \* 2/2008 Zimmer ..... D24/185

D568,258 S \* 5/2008 Adam ..... D13/163  
D613,867 S \* 4/2010 Tanaka et al. .... D24/185  
D629,523 S \* 12/2010 Porter et al. .... D24/185  
D672,046 S \* 12/2012 Fuster ..... D24/200  
D702,842 S \* 4/2014 Hyde et al. .... D24/185  
D708,748 S \* 7/2014 Lei ..... D24/158  
D722,381 S \* 2/2015 Mareguddi et al. .... D24/163  
2013/0193282 A1 \* 8/2013 Brehm ..... 248/125.7  
2013/0324896 A1 \* 12/2013 Farese et al. .... 601/152  
2014/0194789 A1 \* 7/2014 Ko ..... 601/18  
2014/0262983 A1 \* 9/2014 Tuckwell ..... 210/85

\* cited by examiner

*Primary Examiner* — Holly Baynham

*Assistant Examiner* — Rhea Shields

(74) *Attorney, Agent, or Firm* — Occhiuti & Rohlicek LLP

(57) **CLAIM**

The ornamental design for a medical cart for auto transfusion, as shown and described.

**DESCRIPTION**

FIG. 1 is a perspective view of the medical cart for auto transfusion.

FIG. 2 is a perspective view of the medical cart for auto transfusion of FIG. 1 showing the display in a different position.

FIG. 3 is a front view thereof.

FIG. 4 is a rear view thereof.

FIG. 5 is side view thereof.

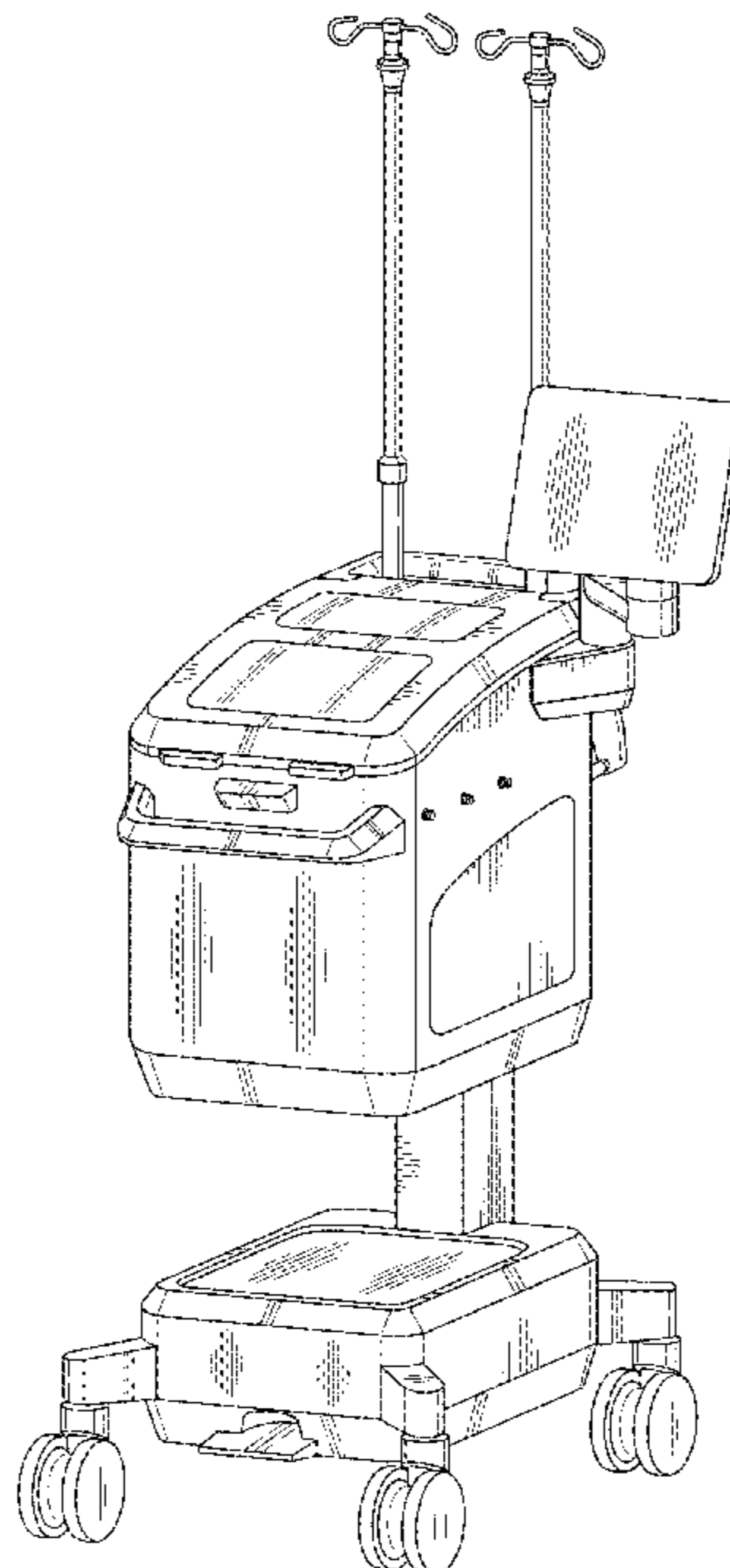
FIG. 6 is an opposite side view thereof.

FIG. 7 is a top view thereof; and,

FIG. 8 is a bottom view thereof.

In the drawings, the broken lines are for the purpose of illustrating environment only and form no part of the claimed design.

**1 Claim, 8 Drawing Sheets**



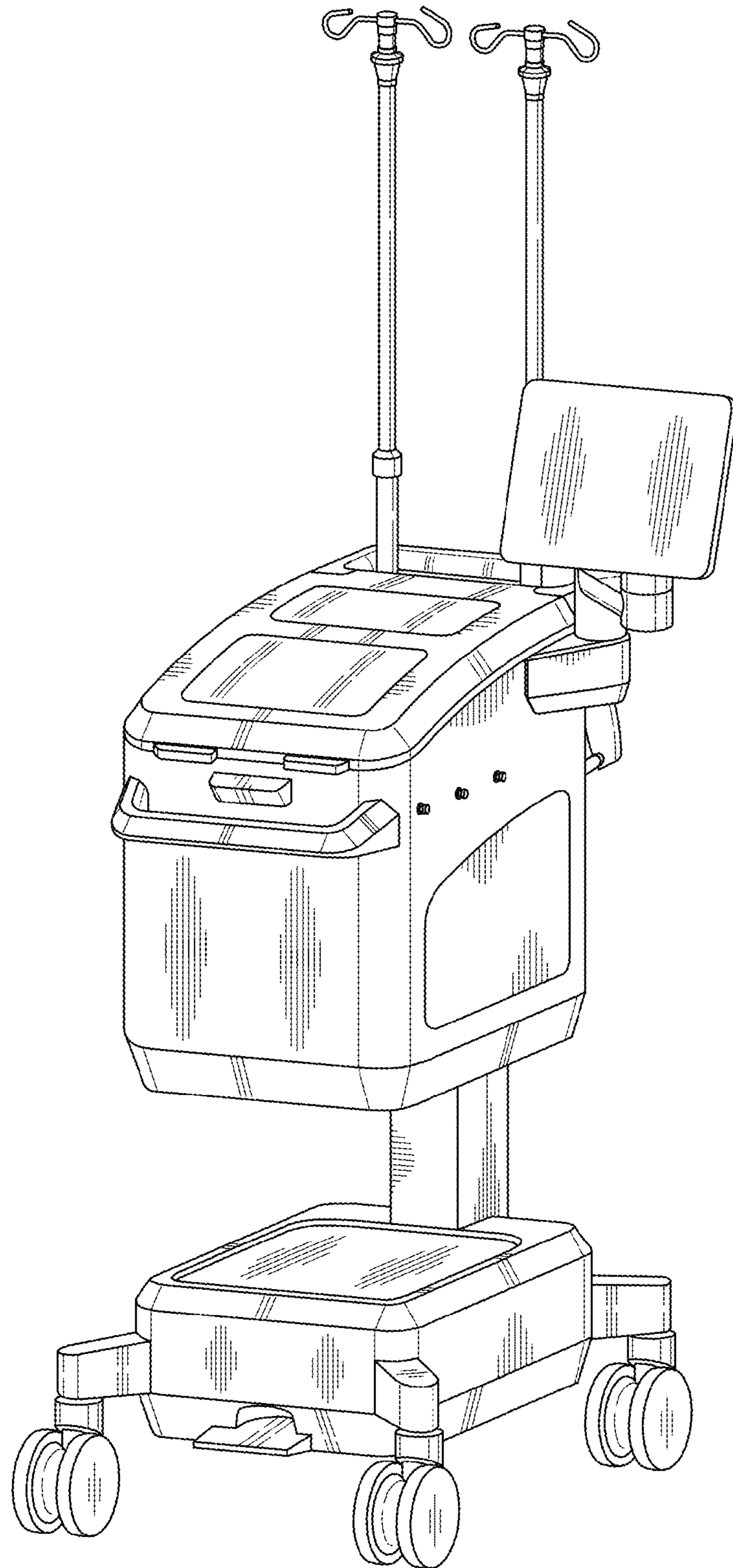


FIG. 1

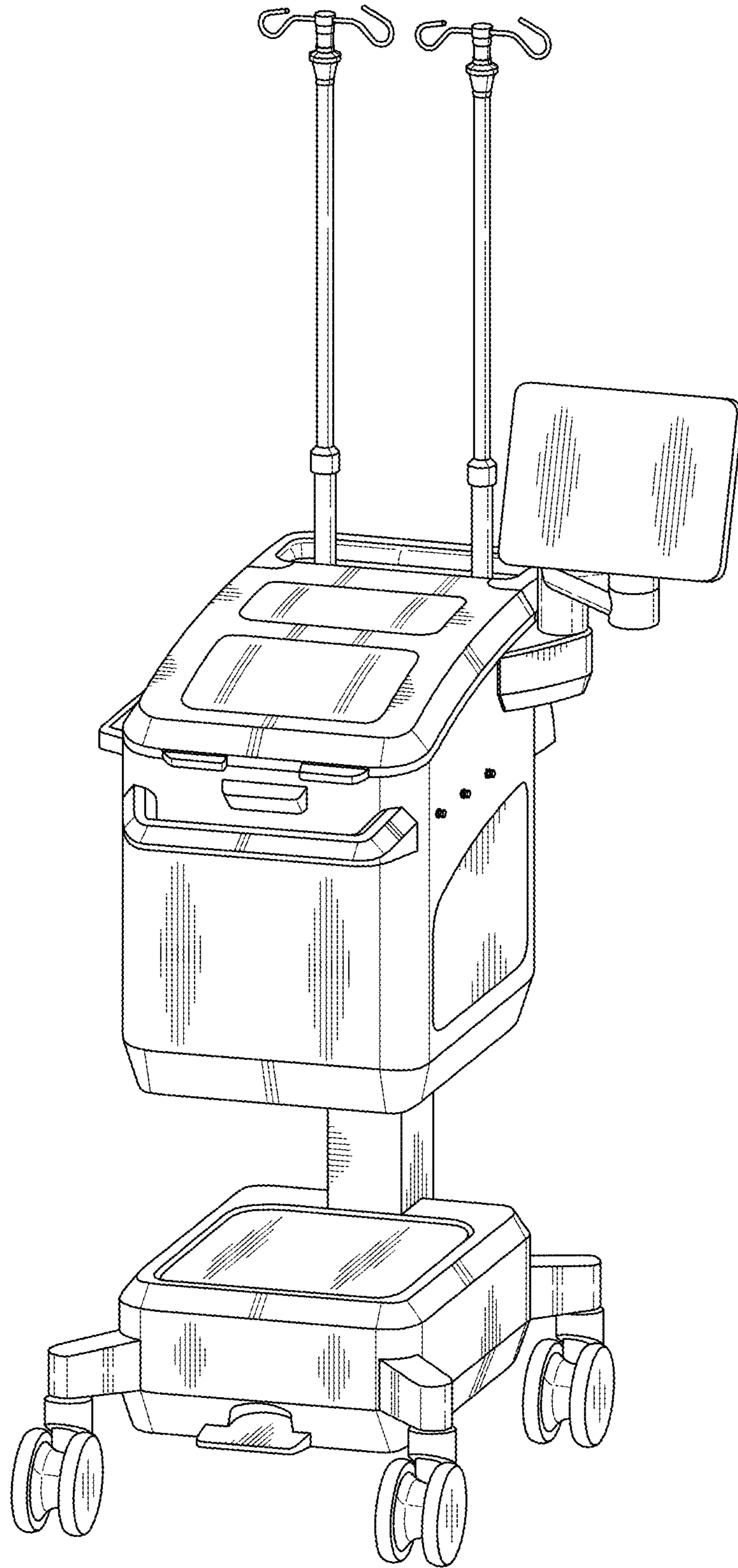


FIG. 2

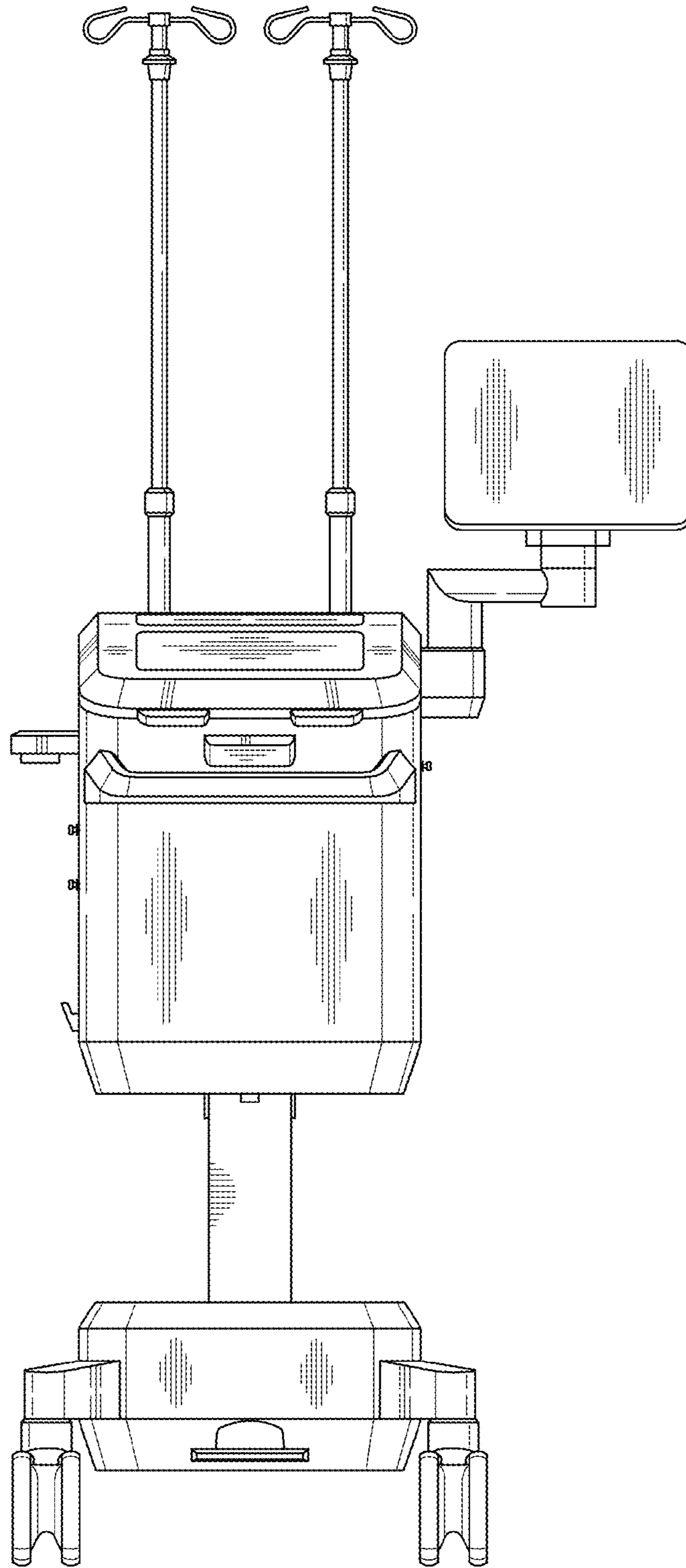


FIG. 3

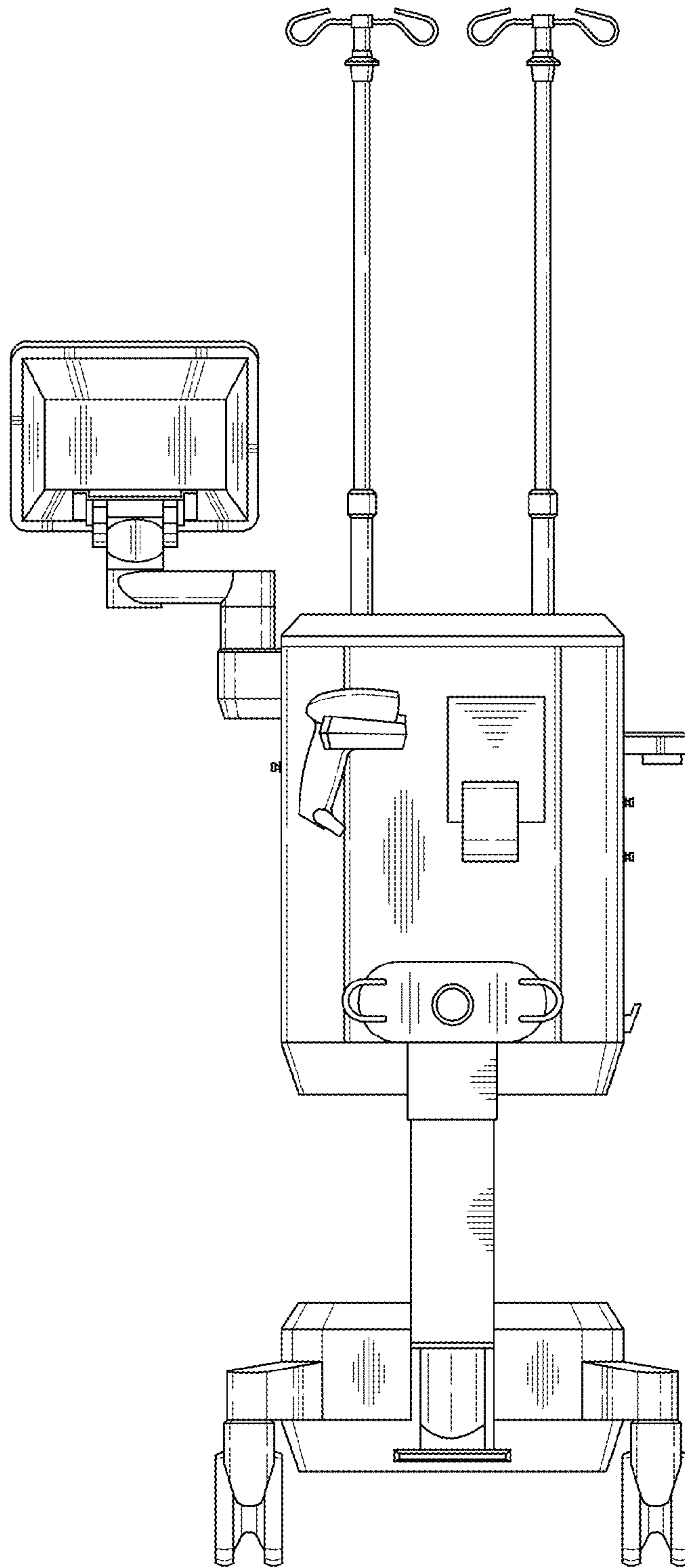


FIG. 4

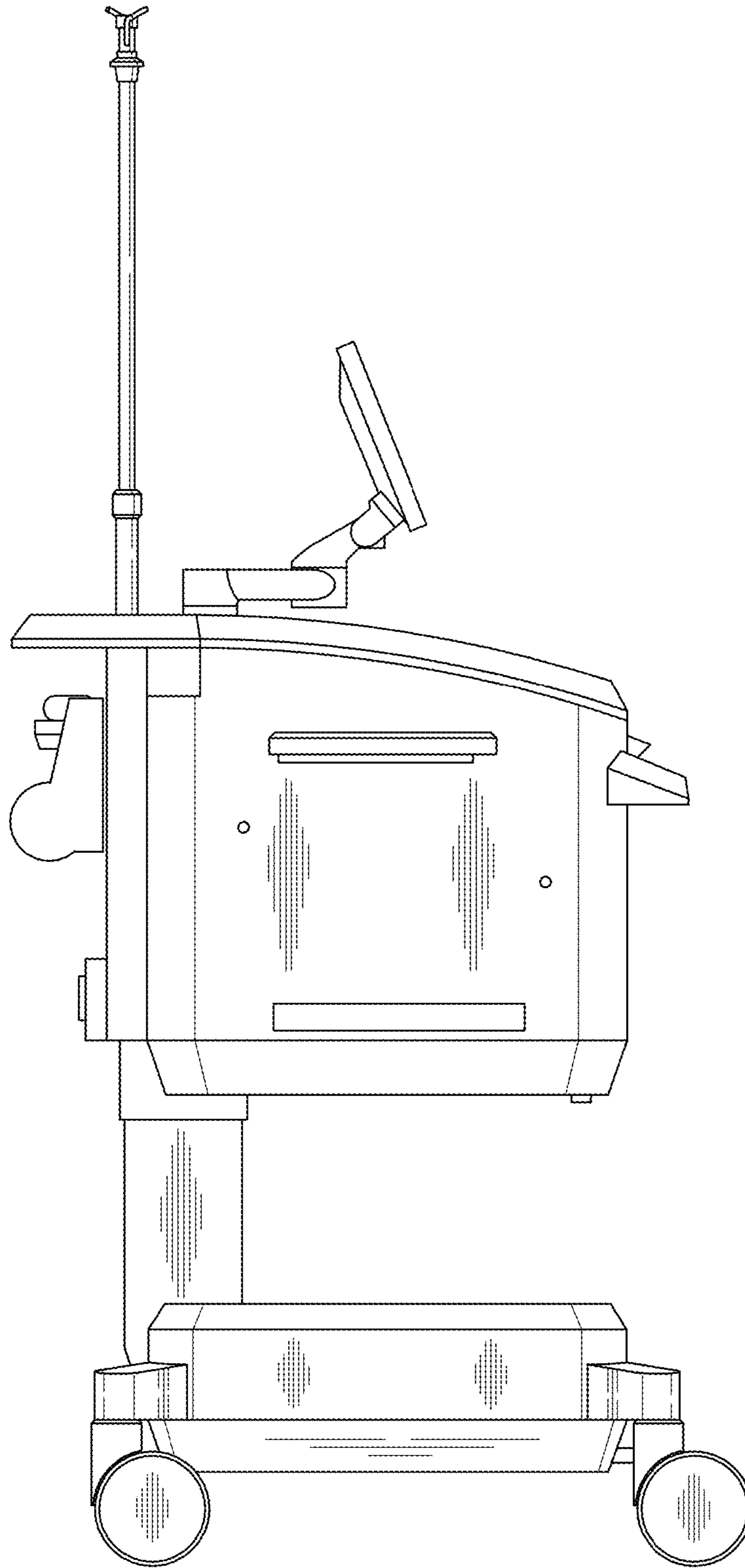


FIG. 5

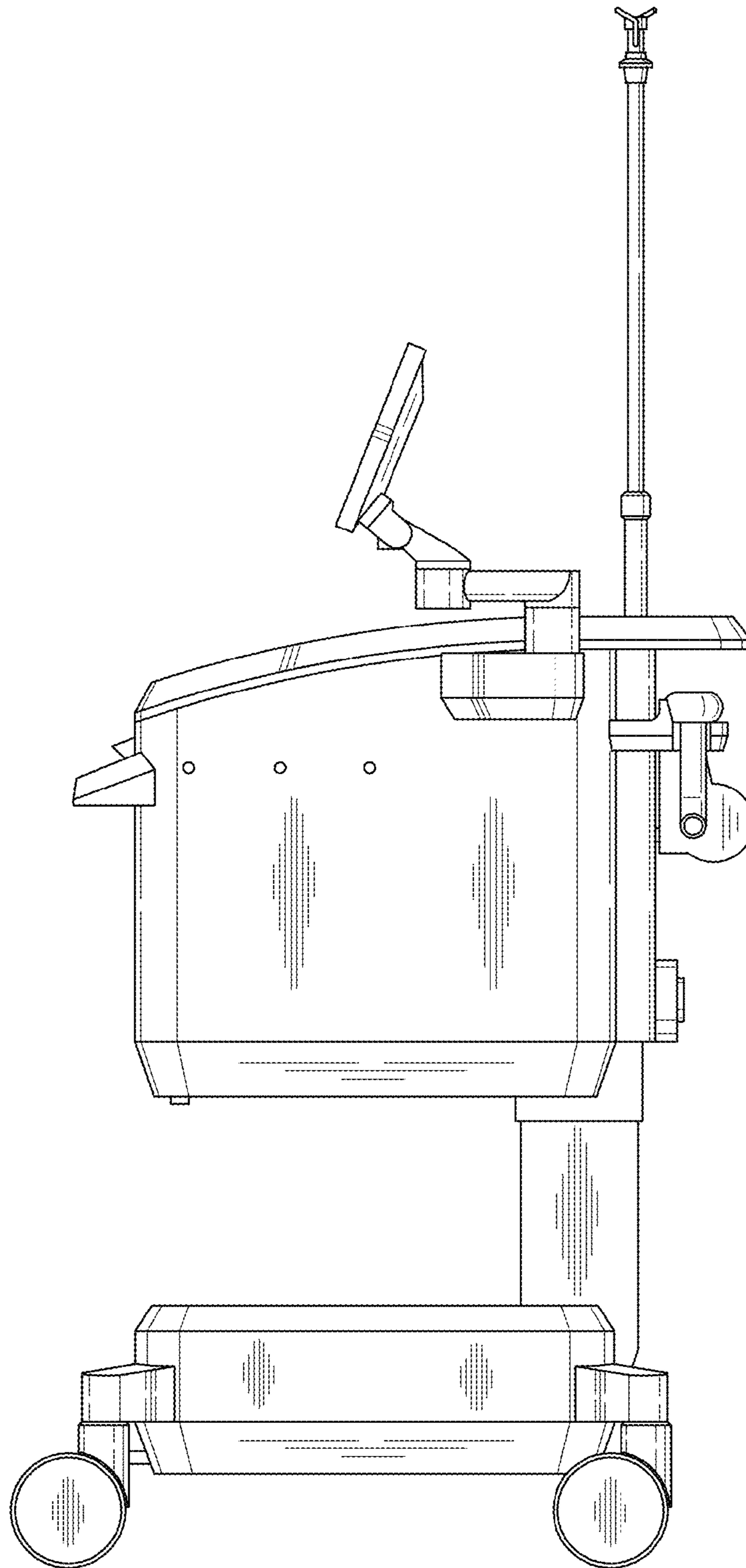


FIG. 6

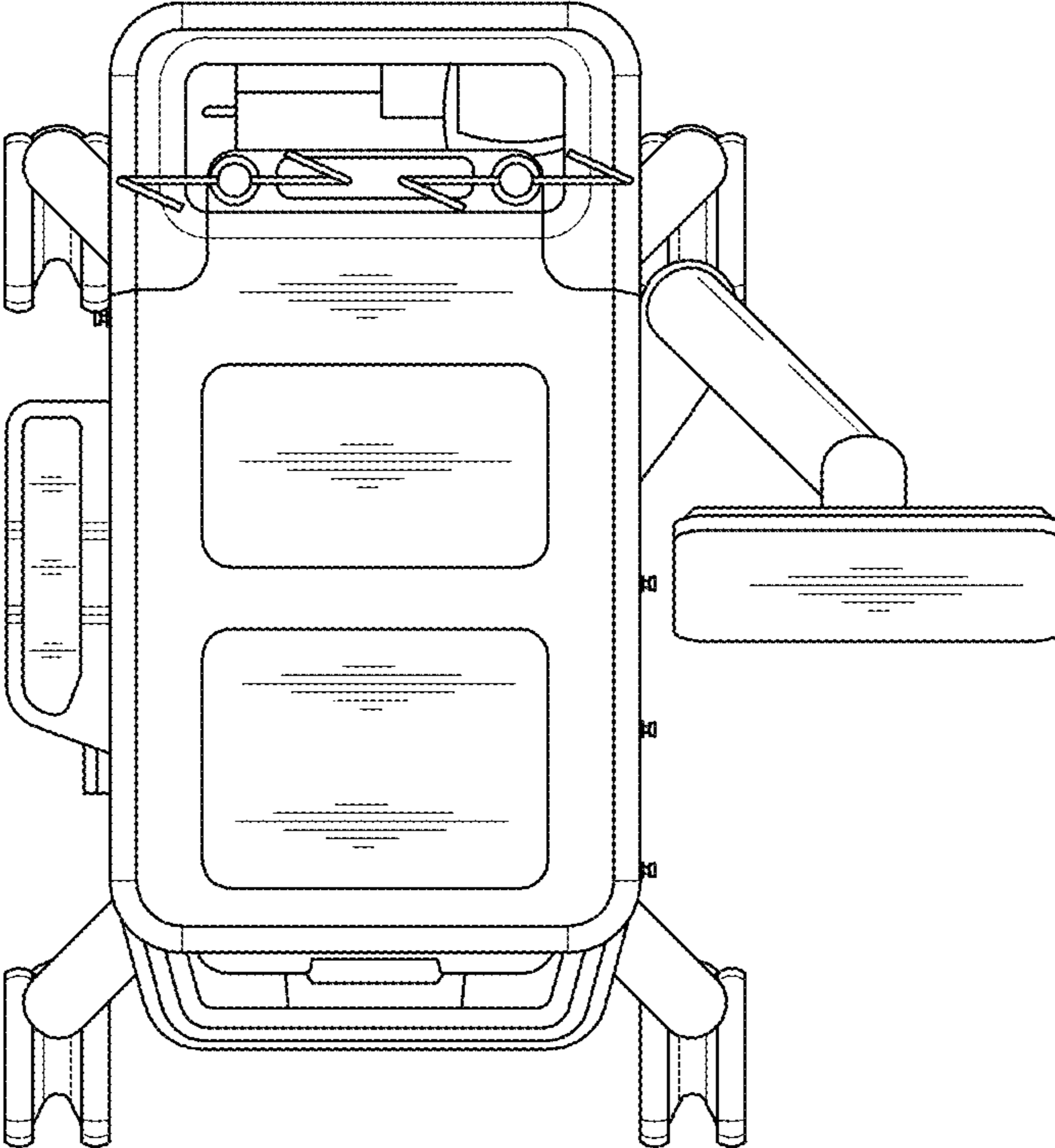


FIG. 7



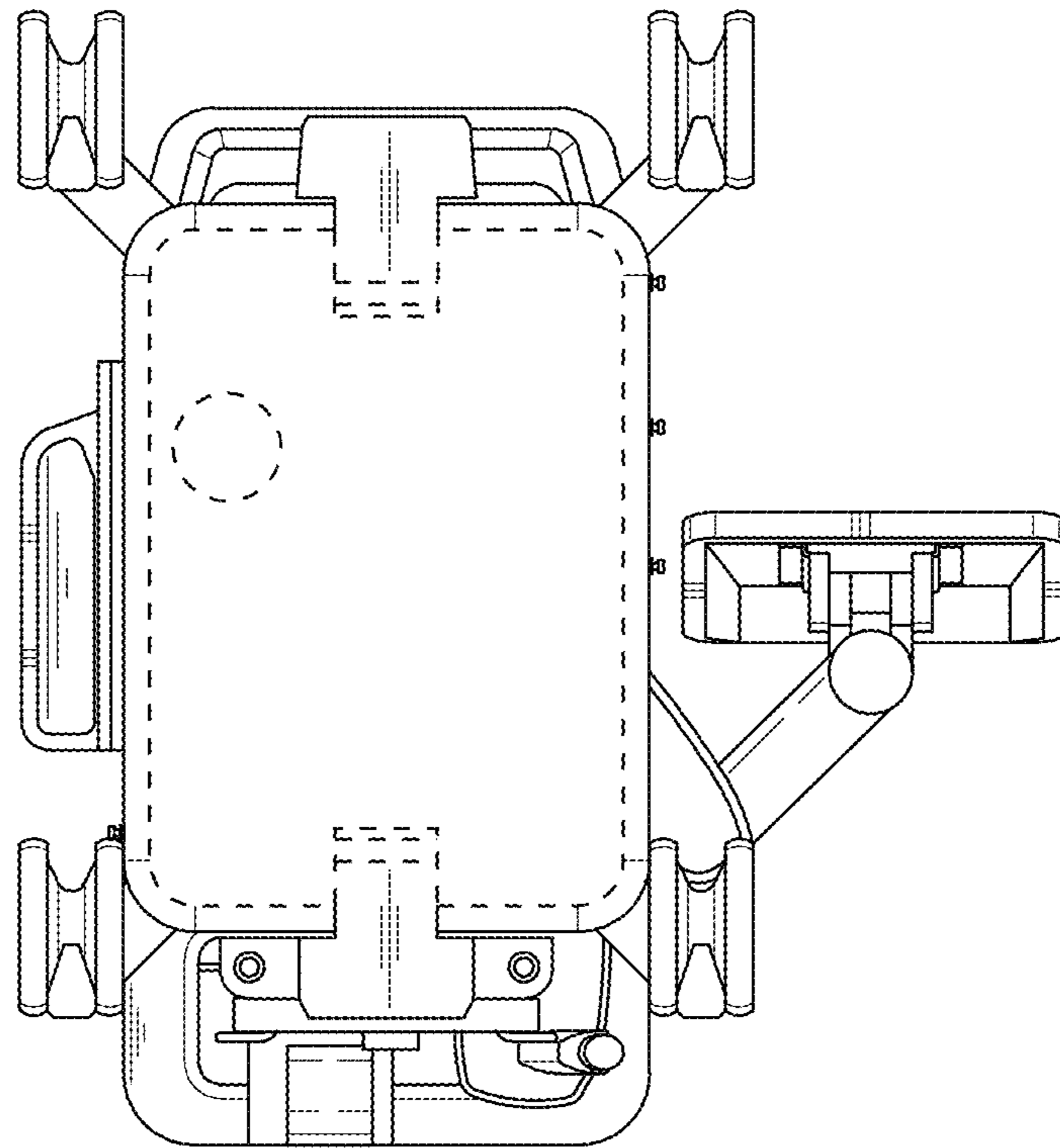


FIG. 8