



US00D752230S

(12) **United States Design Patent**
Farrell

(10) **Patent No.:** **US D752,230 S**
(45) **Date of Patent:** **** Mar. 22, 2016**

(54) **CONTAINER FOR APPLIANCE**

(71) Applicant: **Christopher John Farrell**, Helensvale (AU)

(72) Inventor: **Christopher John Farrell**, Helensvale (AU)

(**) Term: **15 Years**

(21) Appl. No.: **29/530,553**

(22) Filed: **Jun. 17, 2015**

Related U.S. Application Data

(60) Continuation of application No. 29/504,964, filed on Oct. 10, 2014, now Pat. No. Des. 734,474, which is a division of application No. 29/437,507, filed on Nov. 16, 2012, now Pat. No. Des. 716,951, which is a division of application No. 29/393,717, filed on Jun. 8, 2011, now Pat. No. Des. 672,557.

(51) **LOC (10) Cl.** **24-99**

(52) **U.S. Cl.**
USPC **D24/176**

(58) **Field of Classification Search**

USPC D24/181, 176-177, 180, 121-123, 205, D24/207, 224, 227; D3/201, 203.1, 274, D3/304; D9/424-425; 206/563, 565, 63.5, 206/368; 433/77, 79

CPC B65D 43/162; B65D 43/163; A61C 19/02; A61C 7/08; A45C 2011/007

See application file for complete search history.

(56) **References Cited**

U.S. PATENT DOCUMENTS

D257,790 S	1/1981	Kesling	
D315,954 S	4/1991	Berland	
RE35,034 E *	9/1995	Albert	A61C 19/02 206/63.5
D404,644 S	1/1999	Meeker	
D496,154 S	9/2004	Herman et al.	
7,201,271 B1	4/2007	Saad	
D697,302 S	1/2014	Pourcho	
D737,054 S *	8/2015	Winston	D3/304
2004/0244805 A1	12/2004	Cook et al.	
2008/0283422 A1	11/2008	Jansheski	

* cited by examiner

Primary Examiner — Wan Laymon

(74) *Attorney, Agent, or Firm* — McAndrews Held & Malloy, Ltd.

(57) **CLAIM**

The ornamental design for a container for appliance, as shown and described.

DESCRIPTION

FIG. 1 is a rear perspective view of a first embodiment of a container for appliance showing my new design; FIG. 2 is a front perspective view thereof; FIG. 3 is a rear view thereof; FIG. 4 is a front view thereof; FIG. 5 is a side view thereof; FIG. 6 is a top plan view thereof; and, FIG. 7 is a bottom plan view thereof.

The dashed broken lines are for environmental purposes only and form no part of the claimed design.

Any portions of the container for appliance not shown in the drawings form no part of the claimed design.

1 Claim, 6 Drawing Sheets

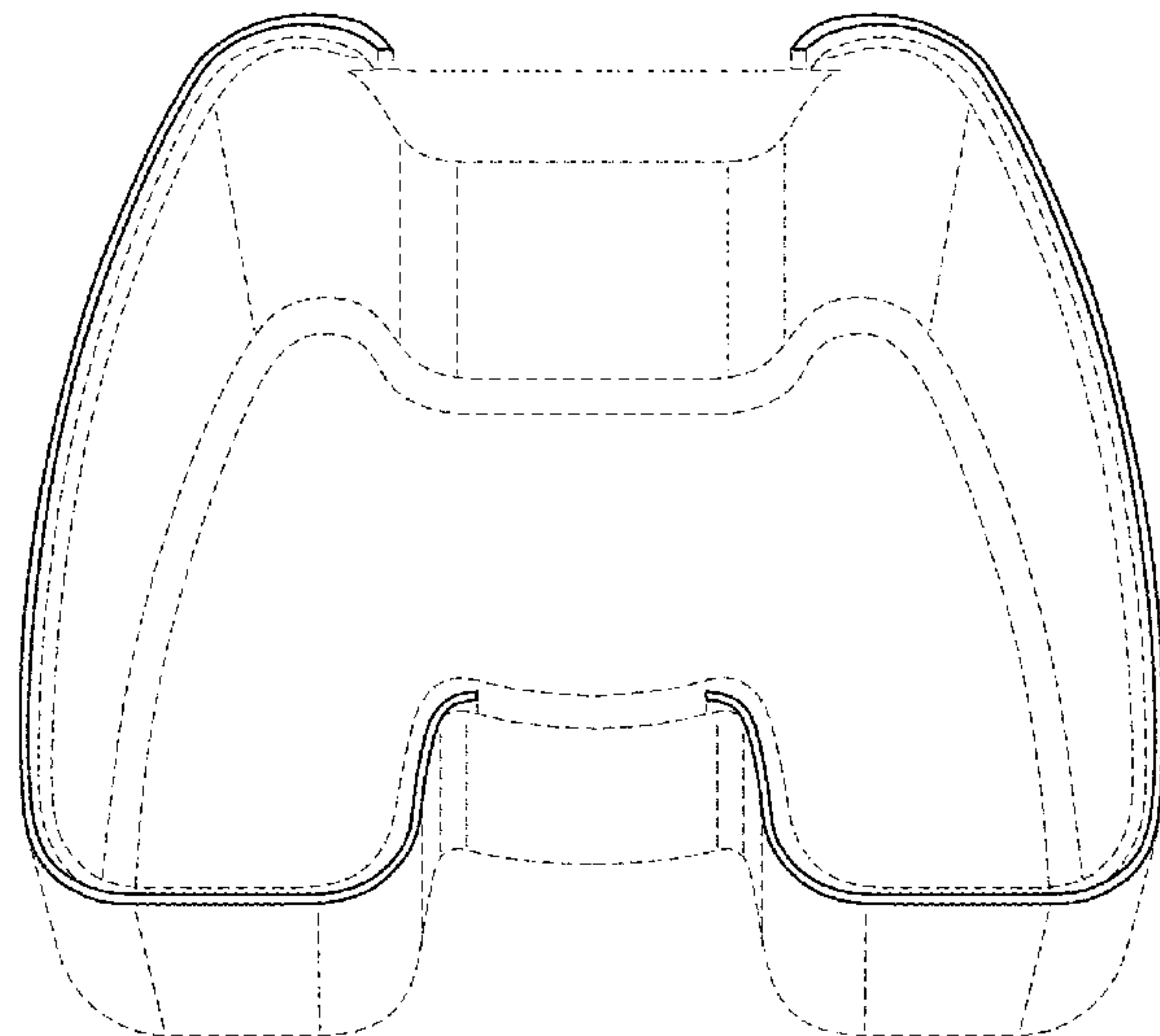
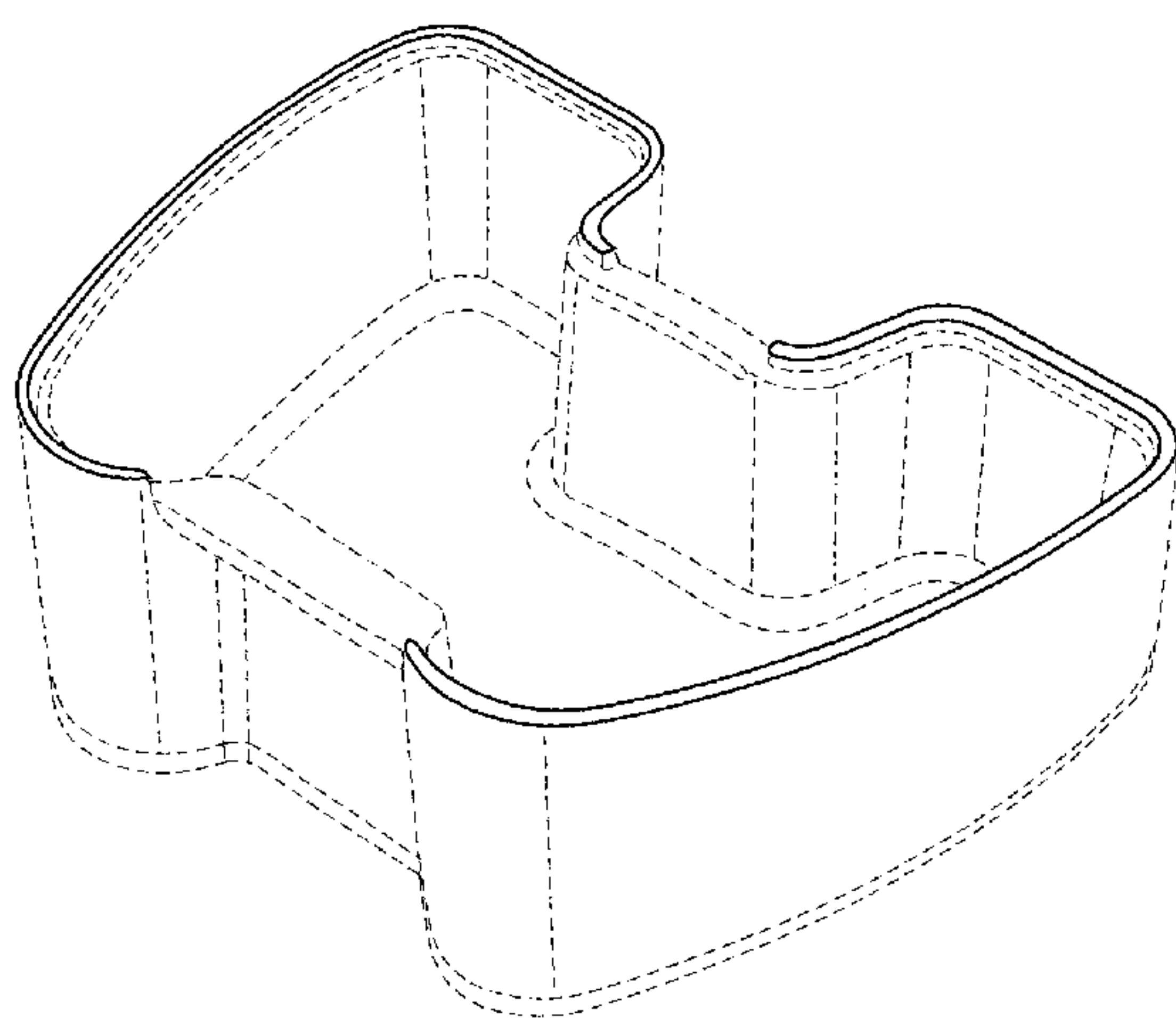


Fig. 1

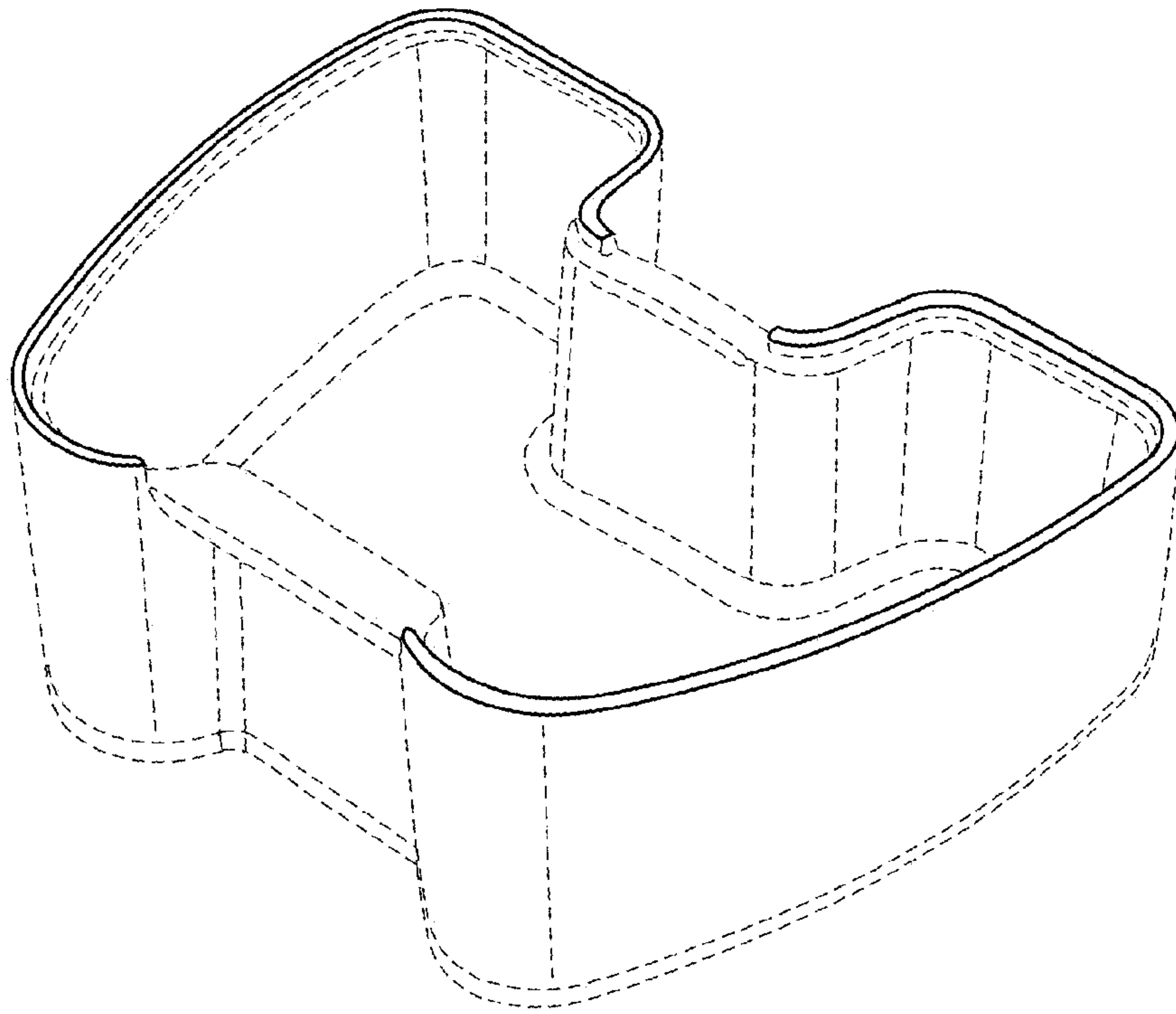


Fig. 2

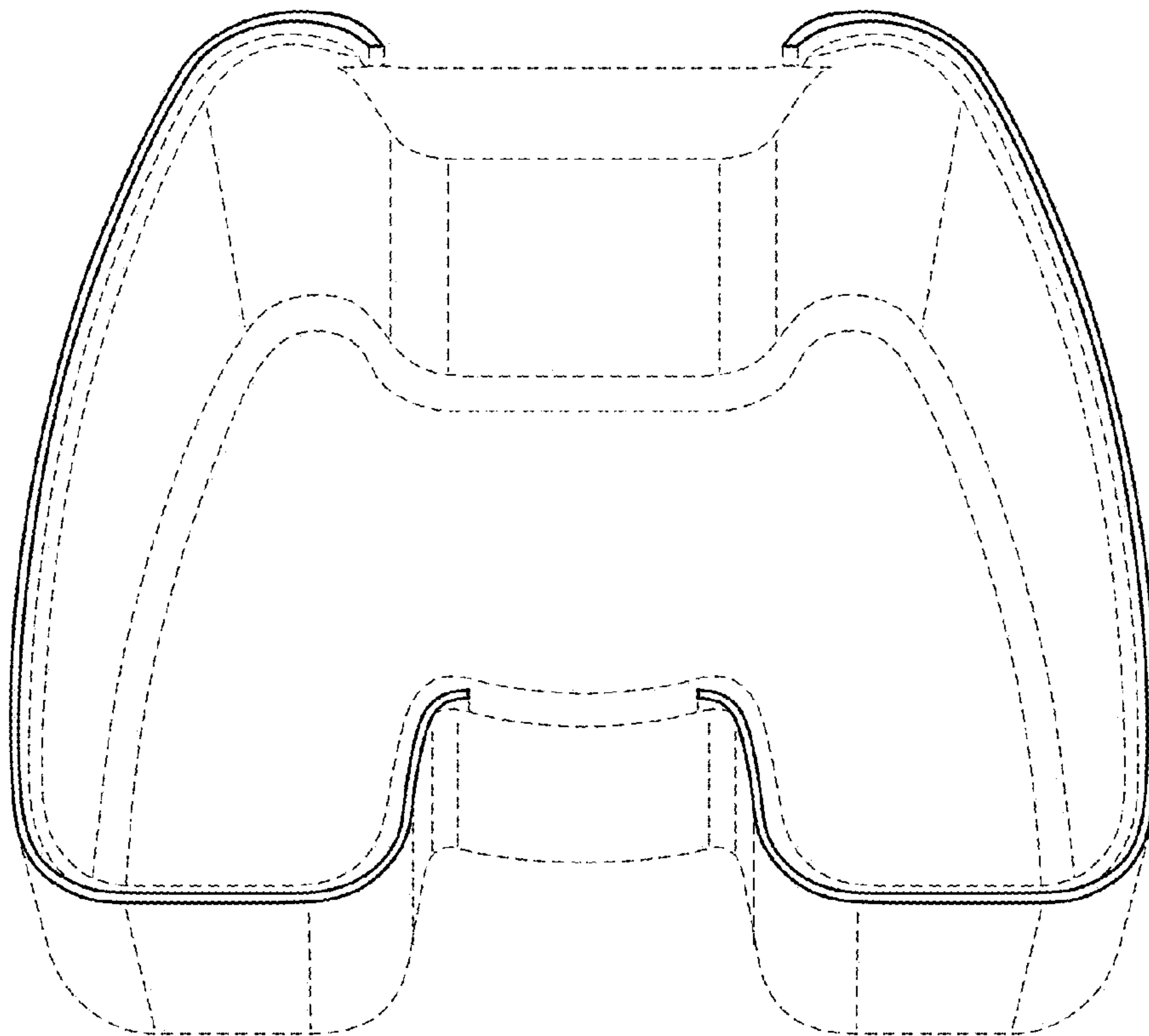


Fig. 3

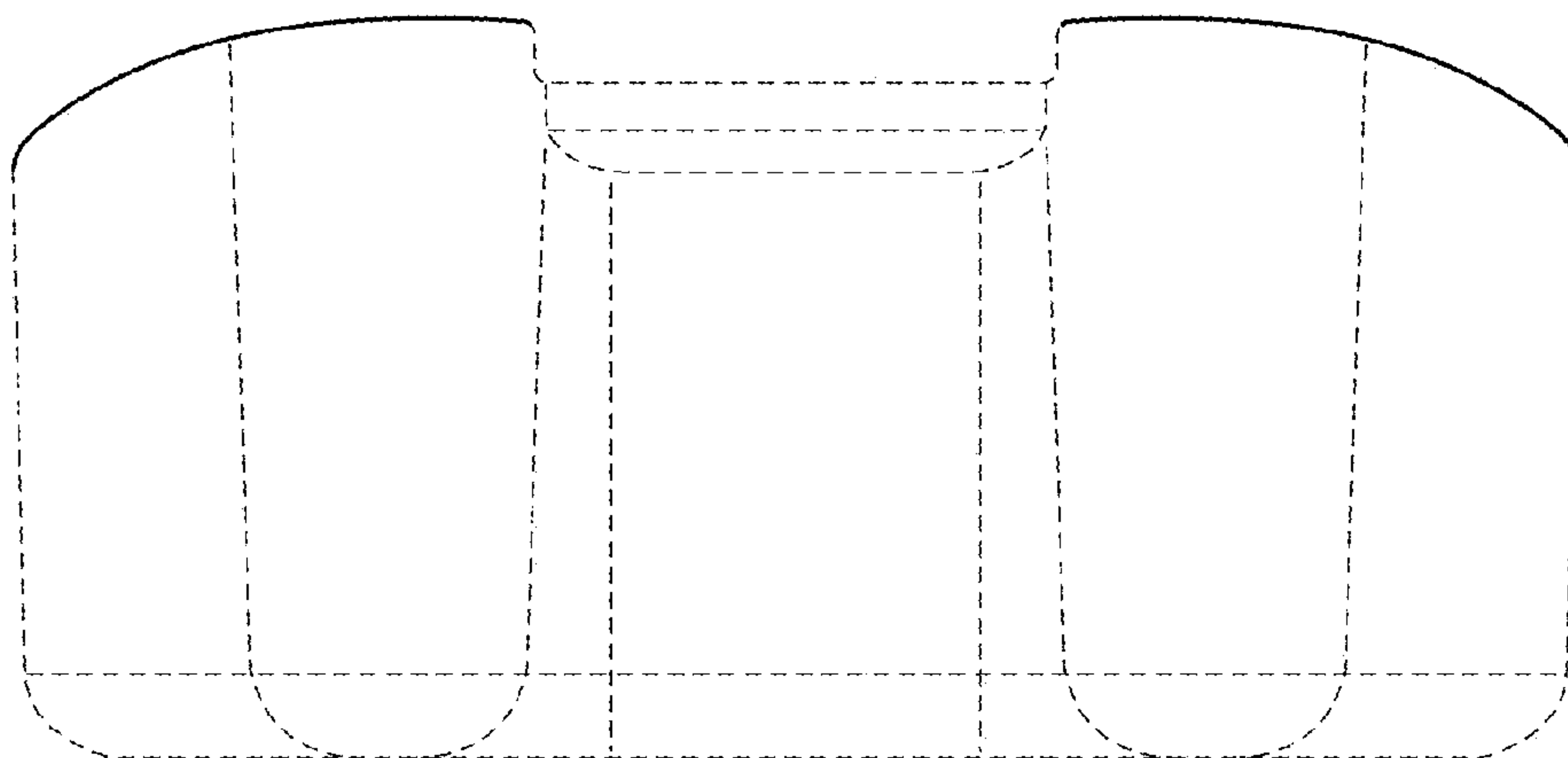


Fig. 4

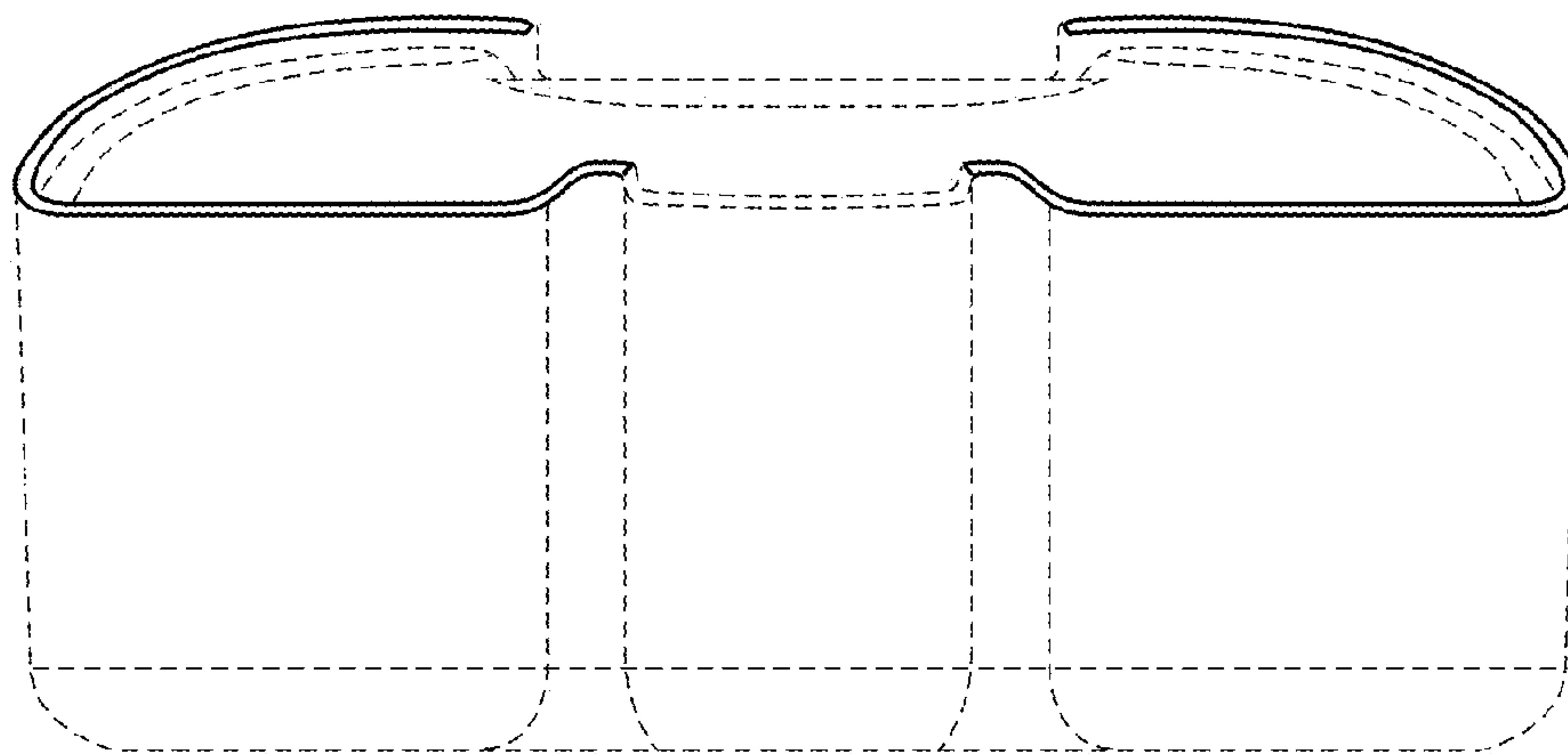


Fig. 5

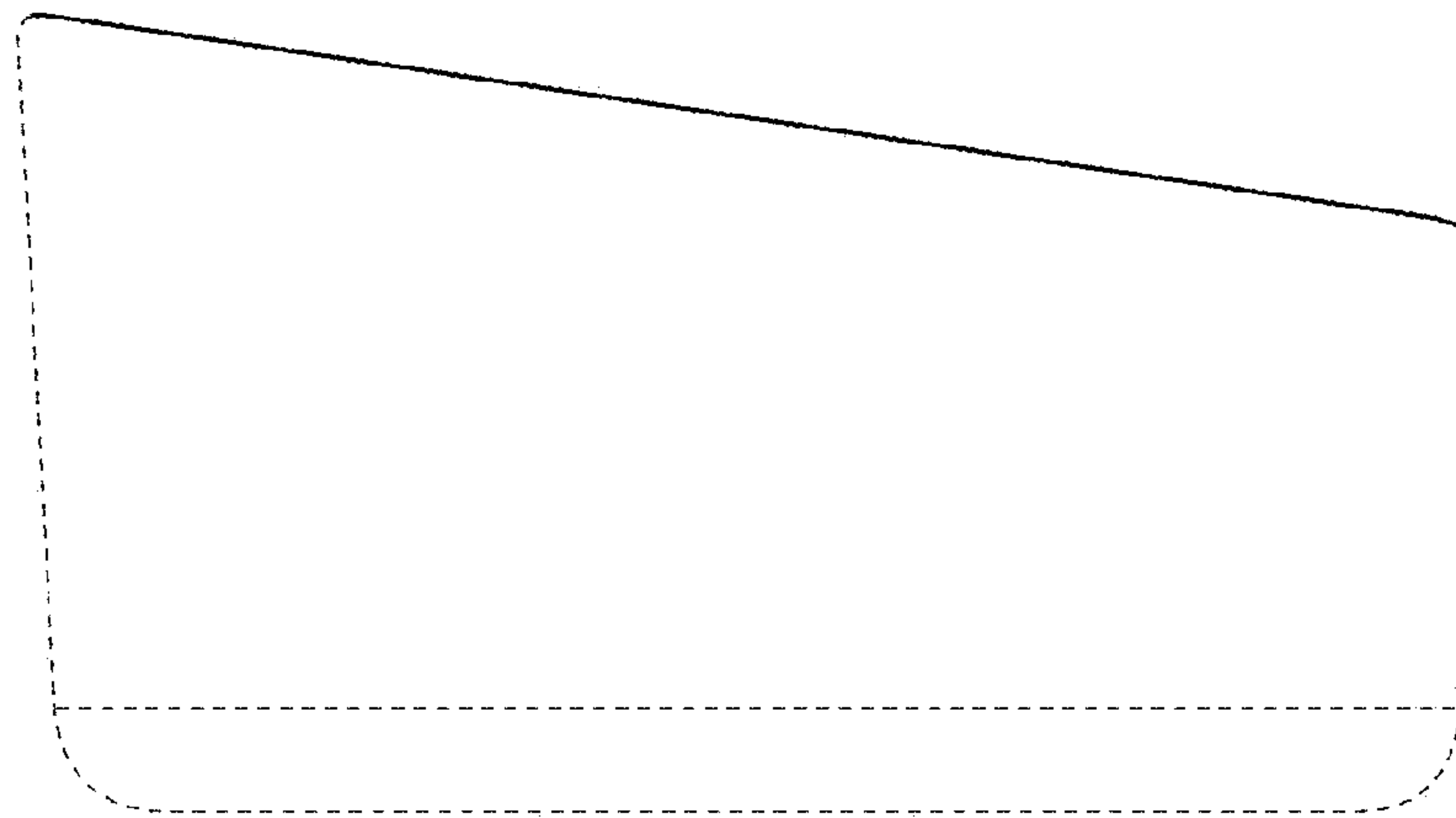


Fig. 6

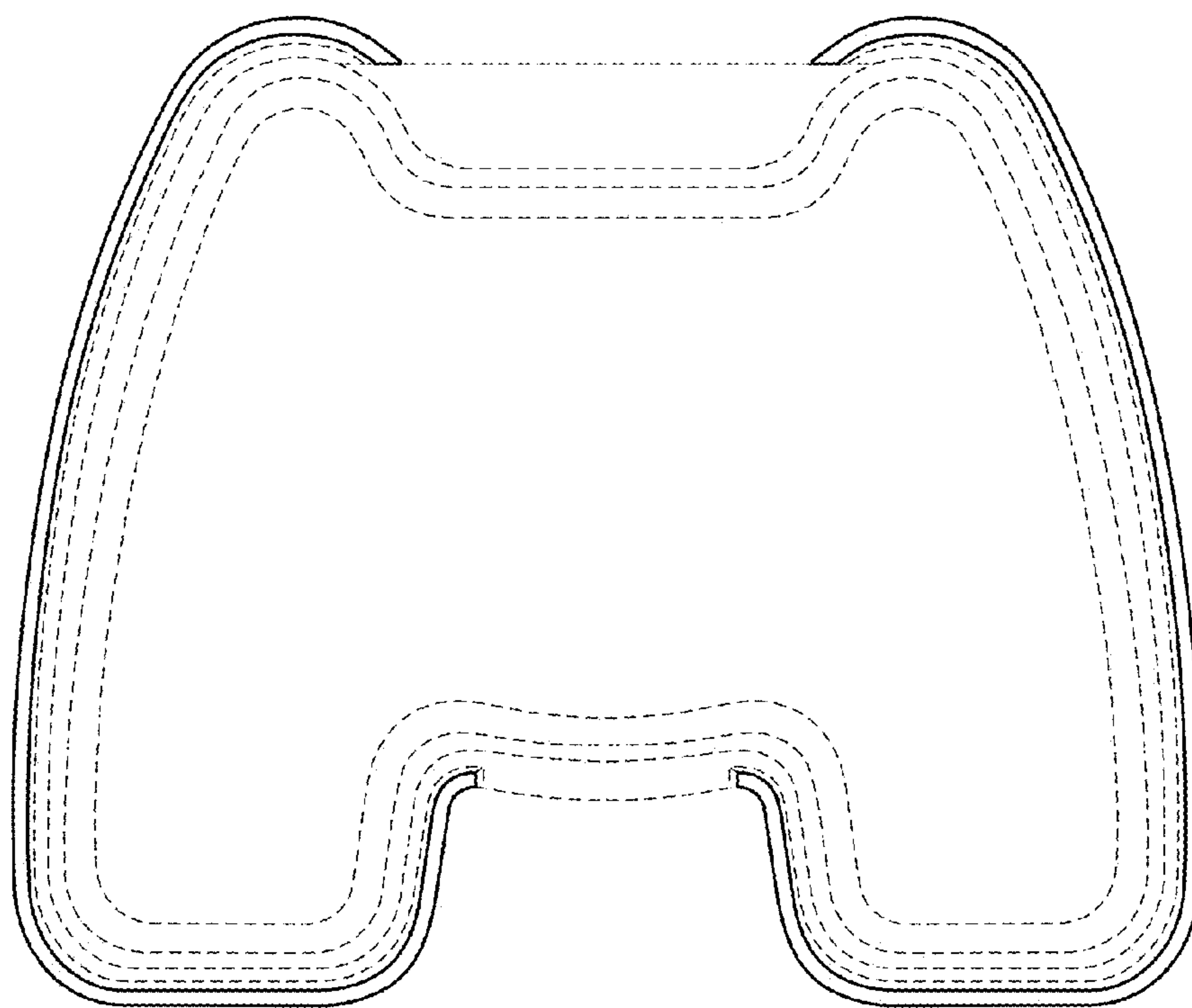


Fig. 7

