



US00D752229S

(12) **United States Design Patent**  
**Chen et al.**

(10) **Patent No.:** **US D752,229 S**  
(45) **Date of Patent:** **\*\* Mar. 22, 2016**

(54) **BLOOD PRESSURE UNIT**

(56) **References Cited**

(71) Applicant: **Shenzhen Mindray Bio-Medical Electronics Co., Ltd.**, Shenzhen (CN)

(72) Inventors: **Junyu Chen**, Shenzhen (CN); **Luis Canas**, Randolph, MA (US)

(73) Assignee: **SHENZHEN MINDRAY BIO-MEDICAL ELECTRONICS CO., LTD.**, Shenzhen (CN)

(\*\*) Term: **14 Years**

(21) Appl. No.: **29/509,770**

(22) Filed: **Nov. 20, 2014**

(30) **Foreign Application Priority Data**

May 26, 2014 (CN) ..... 2014 3 0151149

(51) **LOC (10) Cl.** ..... **24-02**

(52) **U.S. Cl.**  
USPC ..... **D24/165**

(58) **Field of Classification Search**  
USPC ..... D24/164–168, 186, 187; D10/75, 70, D10/78  
CPC .... A61B 5/0402; A61B 5/0404; A61B 5/021; A61B 5/024; A61B 5/02438; A61B 5/681; A61B 2560/0205; A61B 2560/0462

See application file for complete search history.

U.S. PATENT DOCUMENTS

D324,570	S	*	3/1992	Arioka	.....	D10/78
D545,438	S	*	6/2007	Huang	.....	D24/186
D621,515	S	*	8/2010	Chua	.....	D24/186
D659,836	S	*	5/2012	Bensch	.....	D24/167
D719,263	S	*	12/2014	Shibata	.....	D24/165
D723,581	S	*	3/2015	Ogihara	.....	D14/486
D739,941	S	*	9/2015	Uozumi	.....	D24/165
D741,497	S	*	10/2015	Aber	.....	D24/167
D745,167	S	*	12/2015	Canas	.....	D10/78
2011/0237924	A1	*	9/2011	McGusty	.....	A61B 5/04085 600/391

\* cited by examiner

*Primary Examiner* — Anhdao Doan

(74) *Attorney, Agent, or Firm* — Kory D. Christensen; Stoel Rives LLP

(57) **CLAIM**

The ornamental design for a blood pressure unit, as shown and described.

**DESCRIPTION**

FIG. 1 is a front perspective of an embodiment of a blood pressure unit showing our new design; FIG. 2 is a rear perspective view thereof; FIG. 3 is a top plan view thereof; FIG. 4 is a bottom plan view thereof; FIG. 5 is a front elevation view thereof; FIG. 6 is a right side elevation view thereof; and, FIG. 7 is a left side elevation view thereof. The broken lines immediately adjacent the shaded areas represent the bounds of the claimed design, while all other broken lines are directed to environment and are for illustrative purposes only; the broken lines form no part of the claimed design.

**1 Claim, 7 Drawing Sheets**

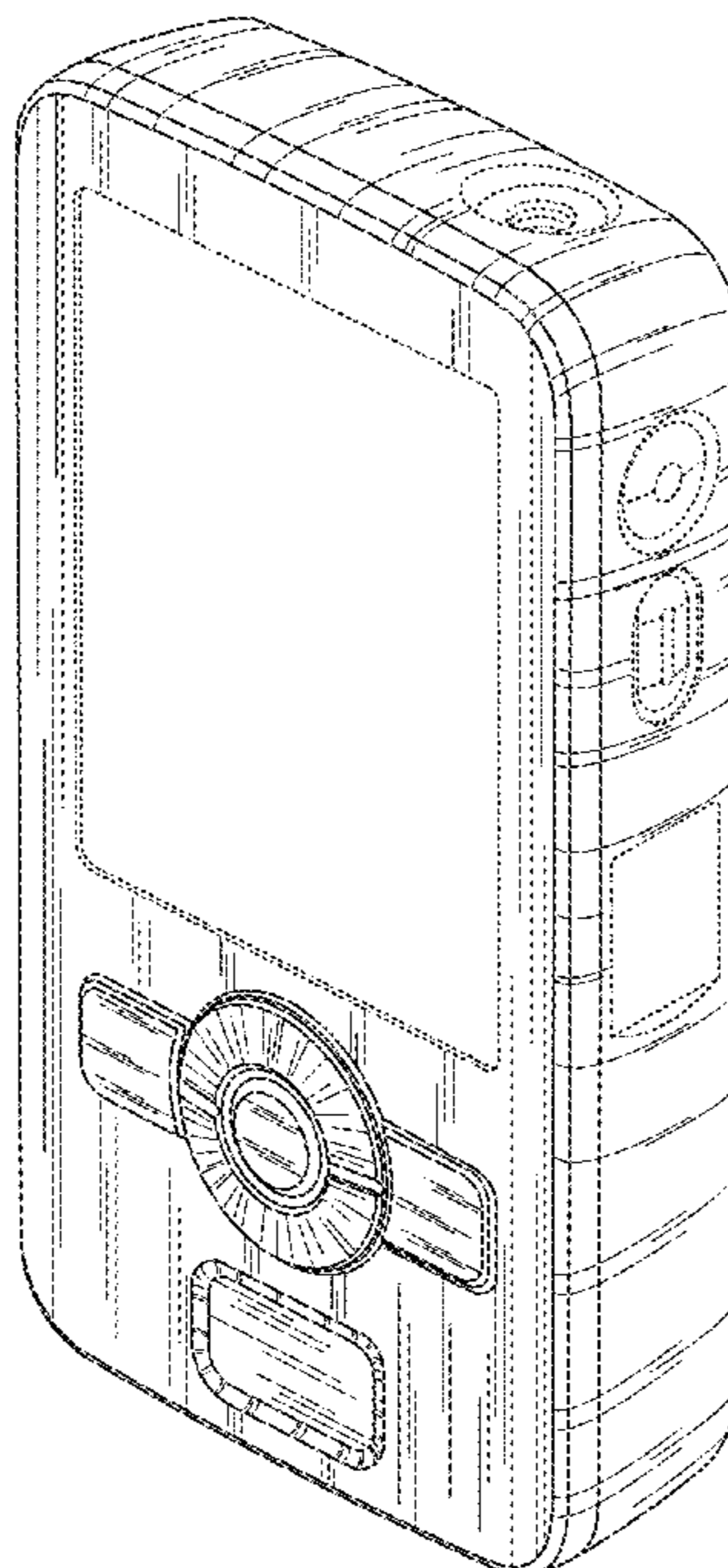


FIG. 1

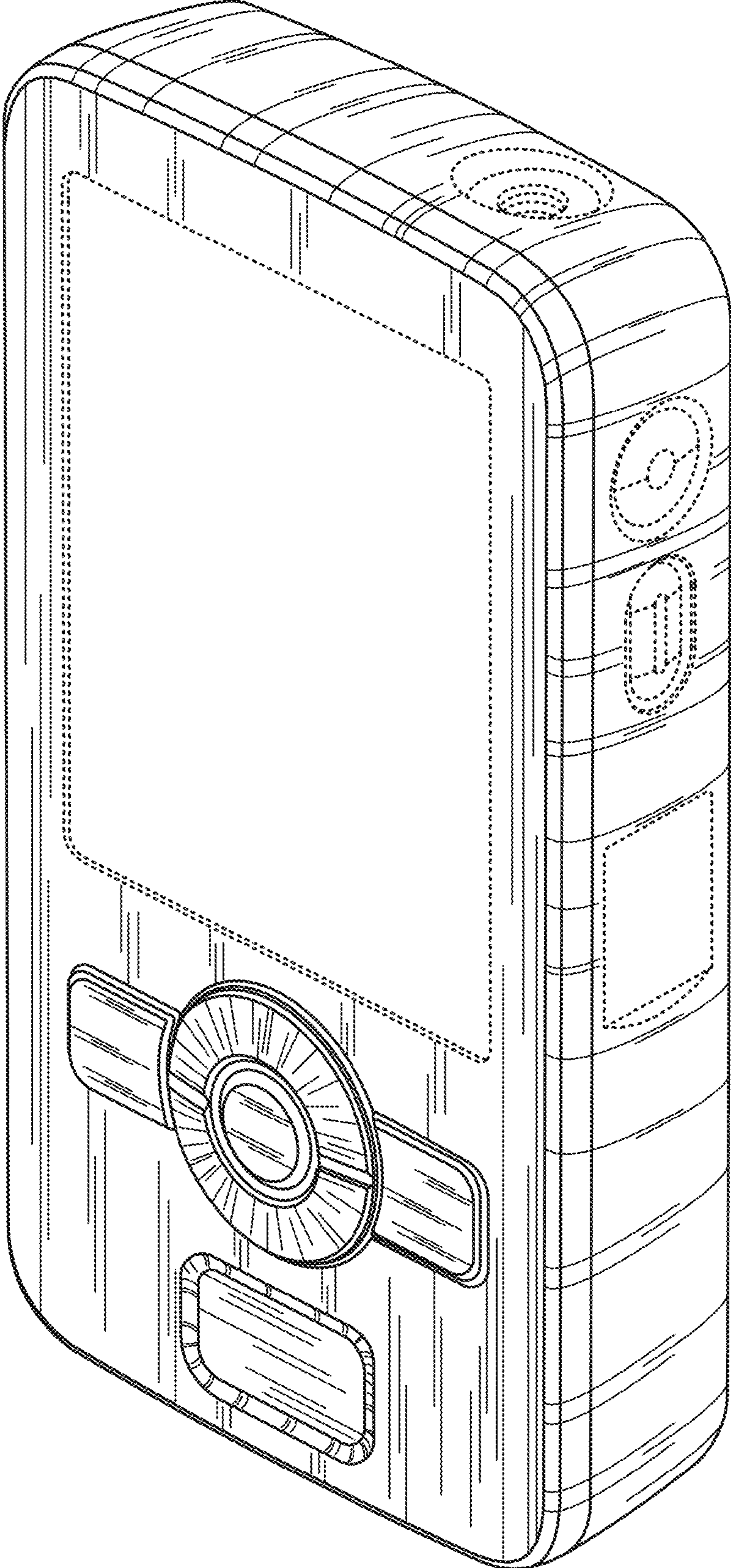
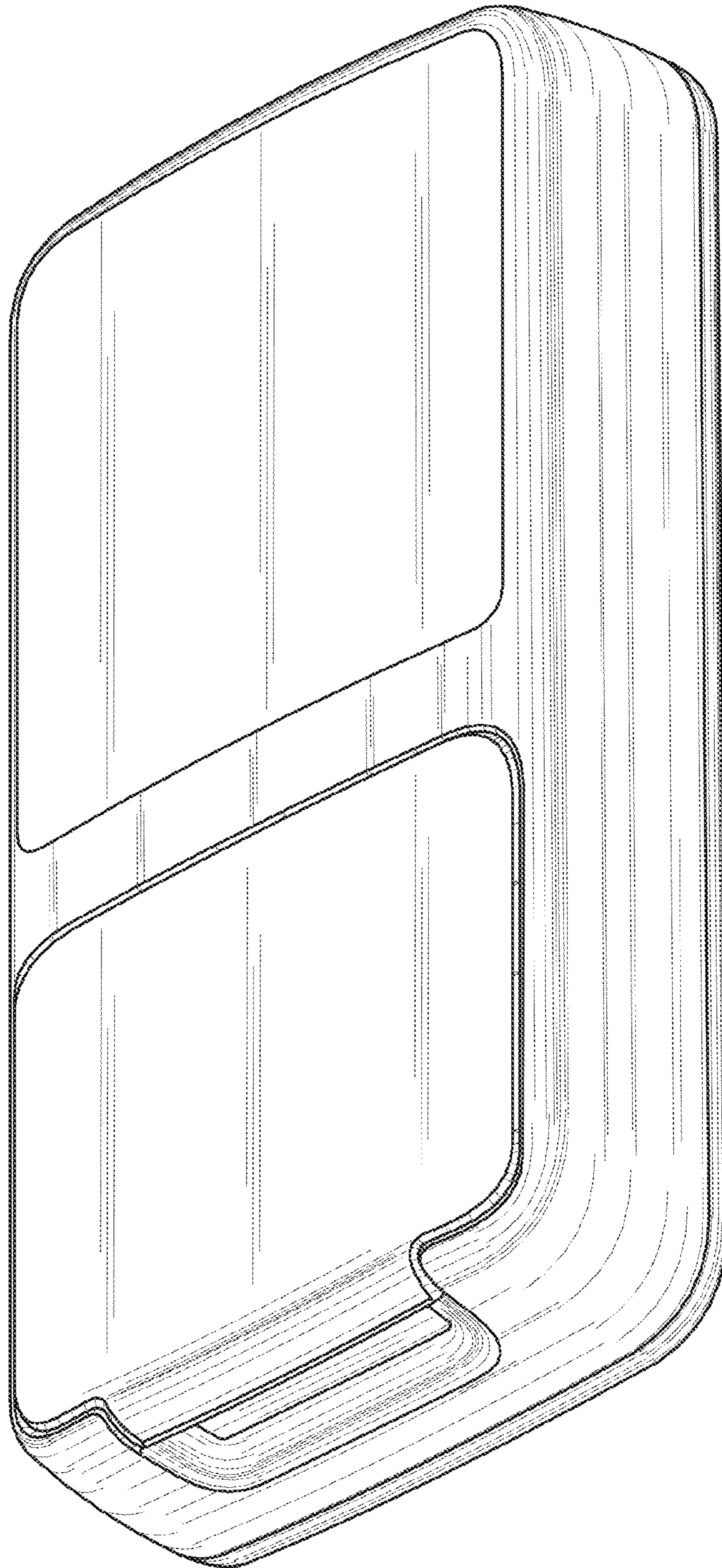


FIG. 2



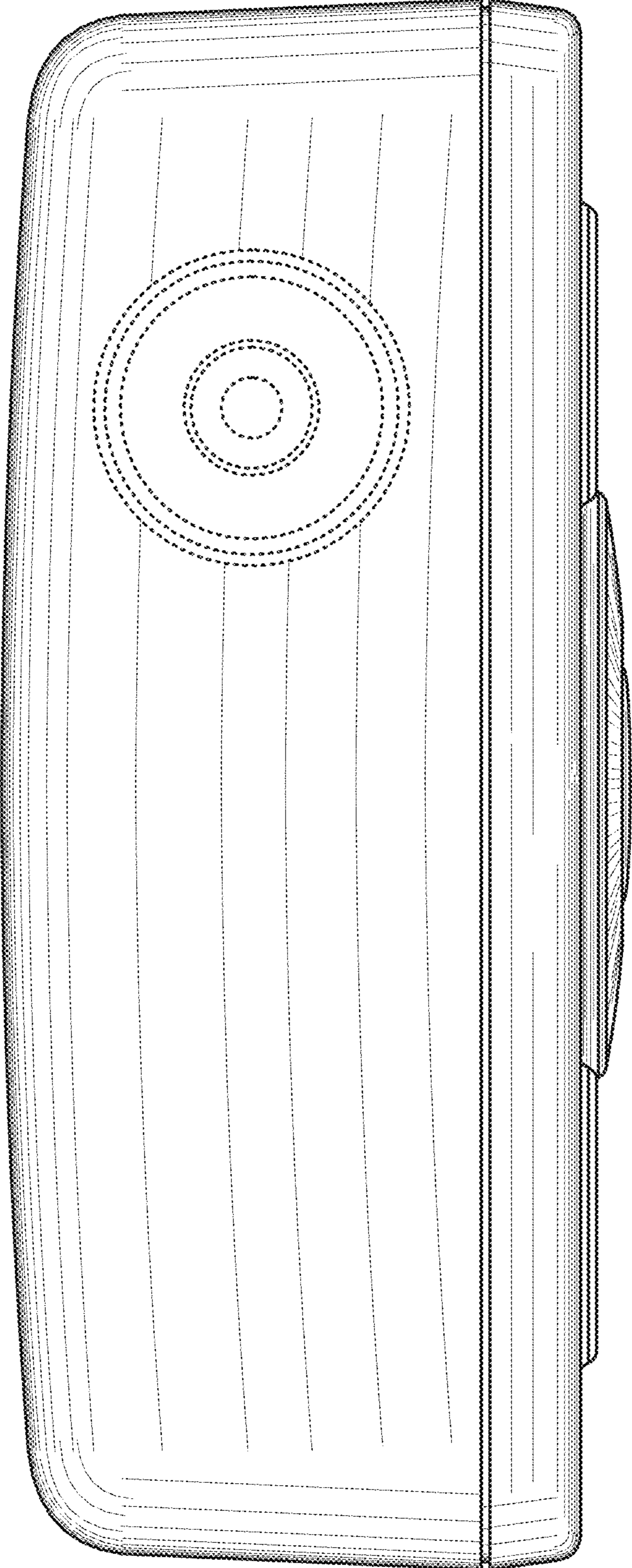


FIG. 3

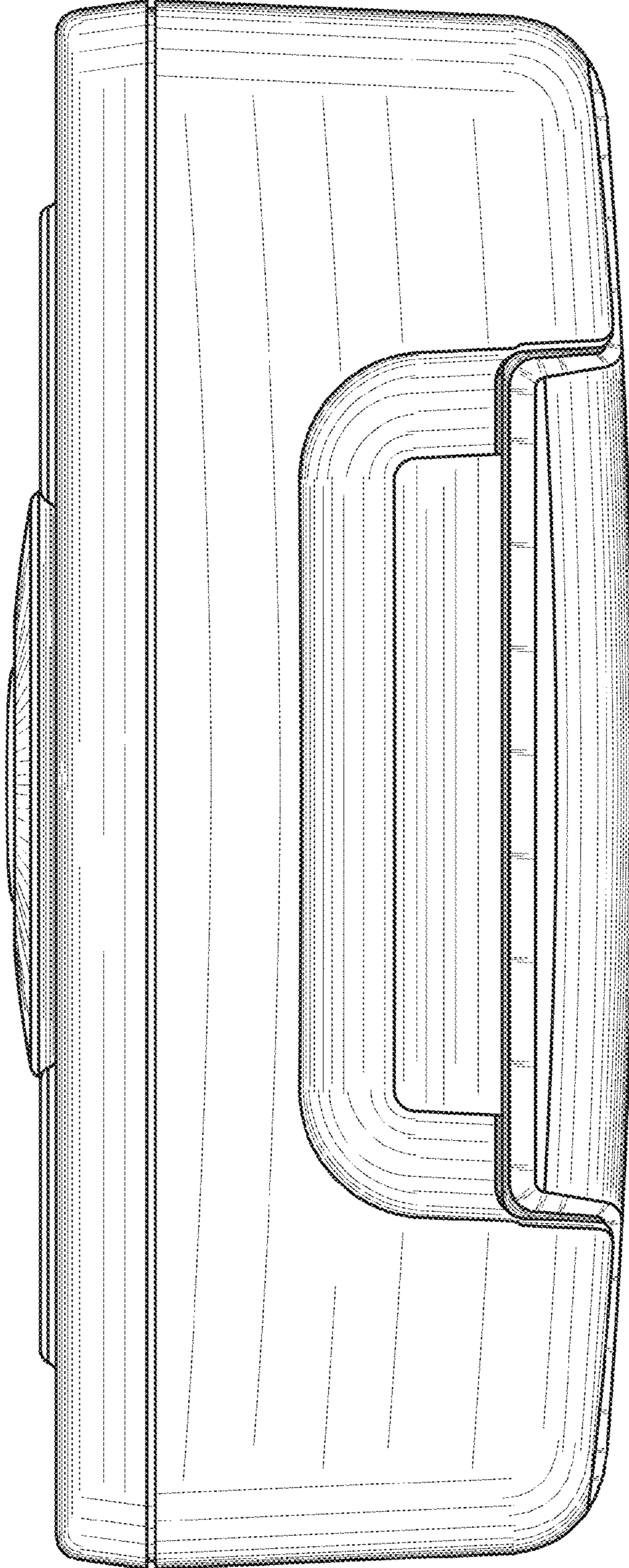


FIG. 4

FIG. 5

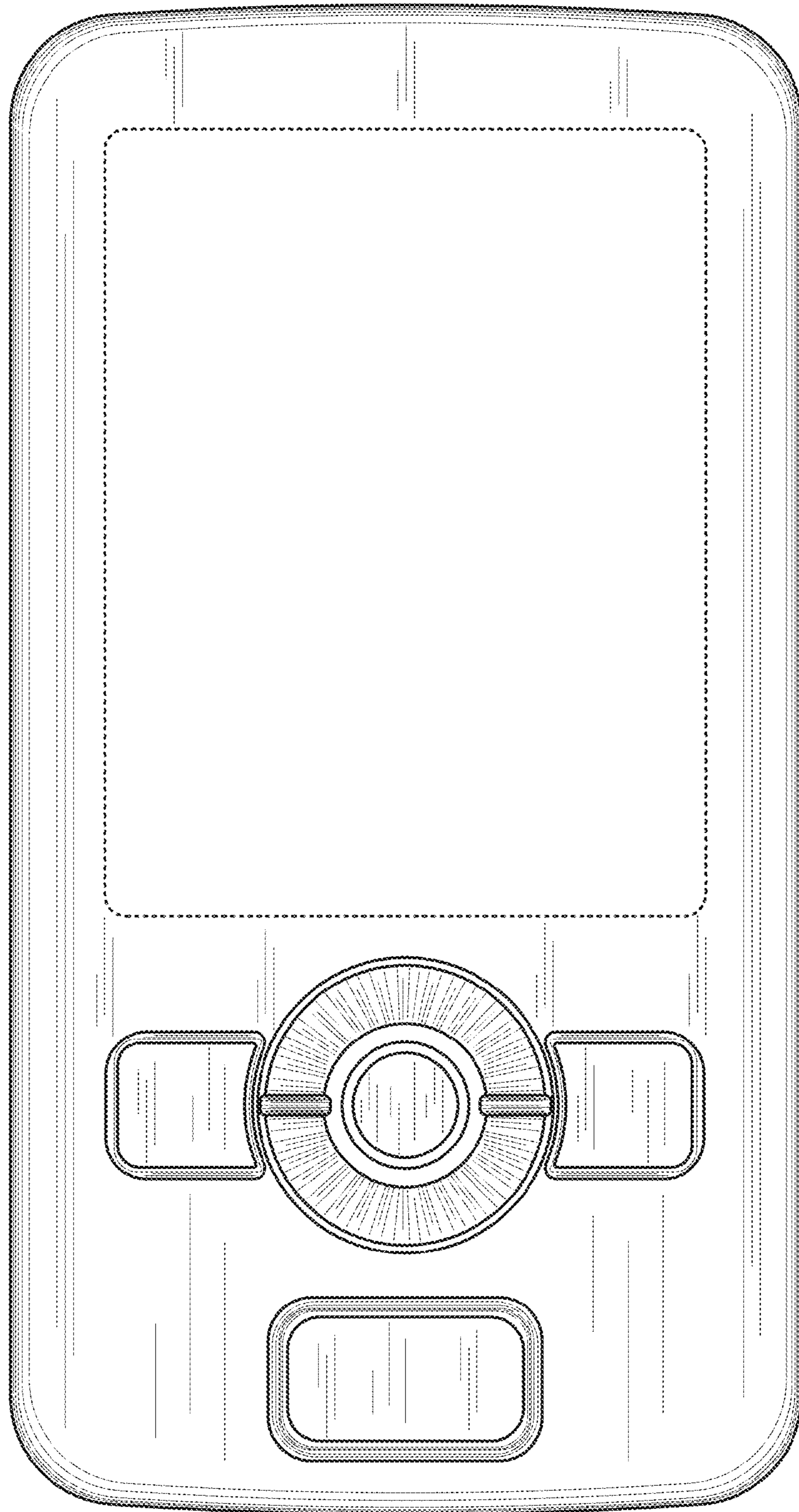


FIG. 6

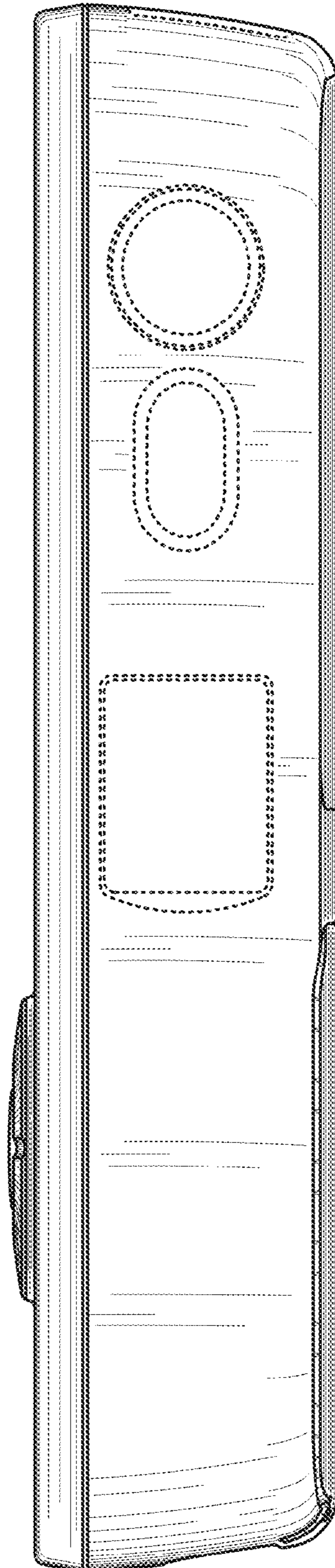


FIG. 7

