



US00D752228S

(12) **United States Design Patent**
Verma et al.

(10) **Patent No.:** **US D752,228 S**
(45) **Date of Patent:** **** Mar. 22, 2016**

(54) **BASE FOR HUMIDIFIER RESERVOIR FOR POSITIVE AIRWAY PRESSURE DELIVERY CONSOLE**

FOREIGN PATENT DOCUMENTS

EM 001312953-0001 3/2012
EM 001312953-0002 3/2012

(Continued)

(71) Applicant: **ResMed Limited**, Bella Vista, New South Wales (AU)

OTHER PUBLICATIONS

Office Action mailed Nov. 7, 2014 in Design U.S. Appl. No. 29/482,519 (5 pages).

(Continued)

(72) Inventors: **Hargopal Verma**, Sydney (AU);
Andrew Roderick Bath, Sydney (AU);
Justin John Formica, Sydney (AU);
Matthew Rolf Harrington, Gosford (AU);
Joseph Samuel Ormrod, Sydney (AU)

Primary Examiner — Holly Baynham
Assistant Examiner — Rhea Shields
(74) *Attorney, Agent, or Firm* — Nixon & Vanderhye P.C.

(73) Assignee: **ResMed Limited**, Bella Vista (AU)

(57) **CLAIM**
The ornamental design for a base for humidifier reservoir for positive airway pressure delivery console, as shown and described.

(**) Term: **15 Years**

DESCRIPTION

(21) Appl. No.: **29/534,540**

(22) Filed: **Jul. 29, 2015**

FIG. 1 is a front, right corner perspective view of a first embodiment of the base for humidifier reservoir for positive airway pressure delivery console according to our new design;
FIG. 2 is right side view thereof;
FIG. 3 is a left side view thereof;
FIG. 4 is a top view thereof;
FIG. 5 is a bottom view thereof;
FIG. 6 is a front view thereof;
FIG. 7 is a rear view thereof;
FIG. 8 is another perspective view thereof;
FIG. 9 is a front, right corner perspective view of a second embodiment of the base for humidifier reservoir for positive airway pressure delivery console according to our new design;
FIG. 10 is right side view thereof;
FIG. 11 is a left side view thereof;
FIG. 12 is a top view thereof;
FIG. 13 is a bottom view thereof;
FIG. 14 is a front view thereof;
FIG. 15 is a rear view thereof; and,
FIG. 16 is another perspective view thereof.

Related U.S. Application Data

(62) Division of application No. 29/482,541, filed on Feb. 19, 2014, now Pat. No. Des. 744,108.

(51) **LOC (10) Cl.** **24-00**

(52) **U.S. Cl.**
USPC **D24/164**

(58) **Field of Classification Search**
USPC D24/164, 110; 128/205.24, 204.21;
D23/235, 356; 137/512, 102
CPC A61M 16/20; F04B 39/1033; G05D 16/10
See application file for complete search history.

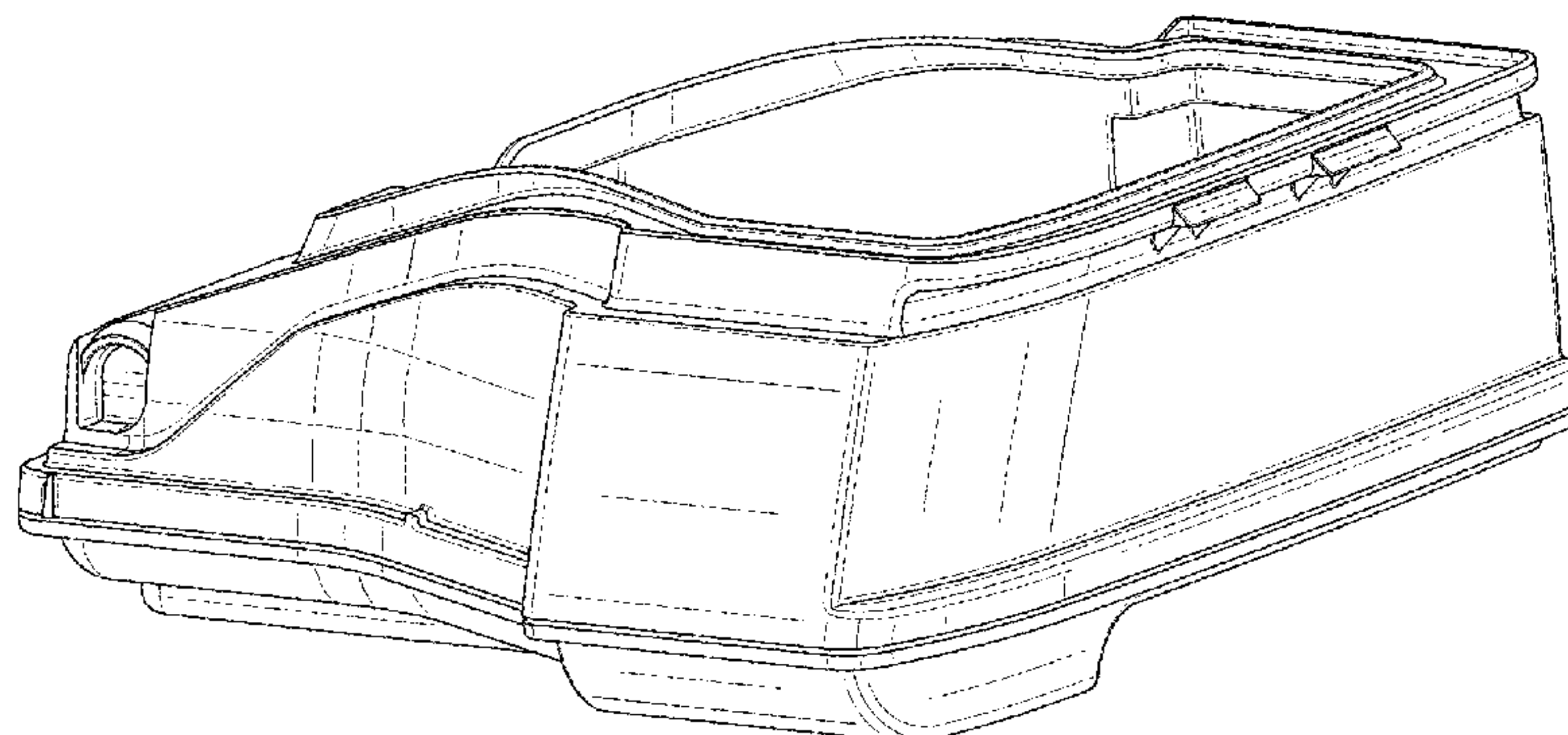
(56) **References Cited**

U.S. PATENT DOCUMENTS

2,073,335 A 3/1937 Karl
2,516,864 A 8/1950 Gilmore

(Continued)

1 Claim, 8 Drawing Sheets



(56)

References Cited

U.S. PATENT DOCUMENTS

2,524,522 A 10/1950 Gilmore
 2,954,802 A 10/1960 Duff
 3,163,707 A 12/1964 Darling
 D217,550 S 5/1970 Campbell
 D280,765 S 9/1985 Alvino
 D302,040 S 7/1989 Lambert
 D360,027 S 7/1995 Psaros
 D421,298 S * 2/2000 Kenyon D24/110
 D436,401 S * 1/2001 Remes D24/164
 D439,326 S 3/2001 Hecker
 D473,941 S 4/2003 Cise
 D476,731 S 7/2003 Cise
 D486,909 S 2/2004 Cise
 6,722,904 B2 4/2004 Linhart
 D493,520 S * 7/2004 Bertinetti D24/110
 D493,884 S * 8/2004 Virr D24/110
 D544,598 S * 6/2007 Lithgow D24/110
 7,226,302 B2 6/2007 Walter
 7,237,770 B2 7/2007 Lipscombe et al.
 D550,349 S * 9/2007 Lithgow D24/110
 D560,795 S * 1/2008 Lithgow D24/110
 D561,890 S * 2/2008 Lithgow D24/110
 D561,891 S * 2/2008 Lithgow D24/110
 D570,473 S 6/2008 Hamaguchi et al.
 D578,204 S * 10/2008 Lithgow D24/110
 D580,060 S * 11/2008 Adams D24/164
 D585,131 S * 1/2009 Trevor-Wilson D24/110
 D585,540 S * 1/2009 Lithgow D24/110
 D590,494 S * 4/2009 Lithgow D24/110
 D602,585 S 10/2009 Blackwell et al.
 D604,830 S * 11/2009 Lithgow D24/110
 D611,593 S * 3/2010 Lithgow D24/110
 D612,480 S * 3/2010 Cork D24/110
 D614,286 S * 4/2010 Lithgow D24/110
 D621,031 S * 8/2010 Lithgow D24/110
 D627,044 S * 11/2010 Virr D23/356
 D628,288 S 11/2010 Row et al.
 D629,891 S 12/2010 Virr et al.
 D629,892 S 12/2010 Hill et al.
 D635,244 S * 3/2011 Virr D24/110
 D635,245 S * 3/2011 Virr D24/110
 D635,654 S * 4/2011 Virr D23/356
 D638,536 S 5/2011 Row et al.
 D638,537 S 5/2011 Virr et al.
 D638,933 S 5/2011 Hill et al.
 D643,114 S * 8/2011 Virr D24/110
 D644,731 S 9/2011 Fangrow, Jr.
 D650,479 S 12/2011 Row et al.
 D652,916 S 1/2012 Row et al.
 D652,917 S 1/2012 Hill et al.
 8,100,127 B2 1/2012 Worley
 D655,813 S 3/2012 Row et al.
 D658,283 S 4/2012 Burz et al.
 D659,235 S * 5/2012 Bertinetti D24/110
 D671,209 S 11/2012 Row et al.
 D677,789 S 3/2013 Row et al.
 D707,334 S 6/2014 Hernandez
 D708,316 S 7/2014 Bertinetti et al.
 D710,989 S 8/2014 Bertinetti et al.
 D716,419 S 10/2014 Hernandez
 8,905,031 B2 12/2014 Barlow
 D736,371 S 8/2015 Row
 D741,477 S 10/2015 Rogers
 D742,508 S 11/2015 Row

2006/0106345 A1 5/2006 Flaker et al.
 2007/0169776 A1 7/2007 Kepler et al.
 2007/0277828 A1 12/2007 Ho
 2009/0025724 A1 1/2009 Herron, Jr.
 2009/0123886 A1 5/2009 Vaska
 2009/0223514 A1 9/2009 Smith et al.
 2010/0116272 A1 5/2010 Row et al.
 2010/0307502 A1 12/2010 Rummery
 2011/0017212 A1 1/2011 Kenyon et al.
 2011/0023874 A1 2/2011 Bath
 2011/0100363 A1 5/2011 Barclay et al.
 2011/0155132 A1 6/2011 Virr et al.
 2011/0180068 A1 7/2011 Kenyon et al.
 2012/0227738 A1 9/2012 Virr
 2012/0285454 A1 11/2012 Nibu et al.
 2013/0008440 A1 1/2013 Maurer et al.
 2013/0011823 A1 1/2013 Hassanein et al.
 2013/0206140 A1 8/2013 Kepler et al.
 2013/0239961 A1 9/2013 Ross et al.
 2013/0263854 A1 10/2013 Taylor et al.
 2013/0280055 A1 10/2013 Daly et al.
 2014/0130802 A1 5/2014 Virr et al.
 2014/0202460 A1 7/2014 Bath et al.
 2014/0216459 A1 8/2014 Vos et al.
 2014/0246025 A1 9/2014 Cragg et al.
 2015/0283350 A1 10/2015 Miller
 2015/0306326 A1 10/2015 Graham
 2015/0306332 A1 10/2015 Bafle

FOREIGN PATENT DOCUMENTS

EM 001312953-0003 3/2012
 EM 001312953-0004 3/2012
 EM 001312953-0005 3/2012
 EP 2 703 034 A2 8/2013
 WO WO 2011/056080 A1 5/2011
 WO WO 2012/160477 A1 11/2012

OTHER PUBLICATIONS

ResMed S9™ Series, No Other Sleep Therapy System Delivers, 2010 (12 pages).
 Philips Respironics, System One Sleep Therapy System, May 2012 (2 pages).
 Fisher & Paykel Healthcare, Icon Brochure, 2010 (2 pages).
 Fisher & Paykel Healthcare, Icon User Manual, Jan. 2010 (214 pages).
 U.S. Appl. No. 29/456,458, filed May 2013, Formica et al.
 U.S. Appl. No. 29/456,477, filed May 2013, Formica et al.
 U.S. Appl. No. 29/480,971, filed Jan. 2014, Desvoyes et al.
 U.S. Appl. No. 29/482,519, filed Feb. 2014, Bath et al.
 U.S. Appl. No. 29/502,152, filed Sep. 2014, Bertinetti et al.
 U.S. Appl. No. 29/485,313, filed Mar. 2014, Formica et al.
 U.S. Appl. No. 29/492,344, filed May 2014, Bertinetti et al.
 U.S. Appl. No. 61/838,971, filed Jun. 2013, Huby et al.
 U.S. Appl. No. 61/987,245, filed May 2014, Foote et al.
 Office Action mailed Dec. 4, 2014 in U.S. Appl. No. 29/456,477 (9 pages).
 Office Action mailed Dec. 3, 2014 in U.S. Appl. No. 29/456,458 (7 pages).
 U.S. Appl. No. 29/482,541, filed Feb. 19, 2014, entitled "Humidifier Reservoir for Positive Airway Pressure Delivery Console," (parent application).

* cited by examiner

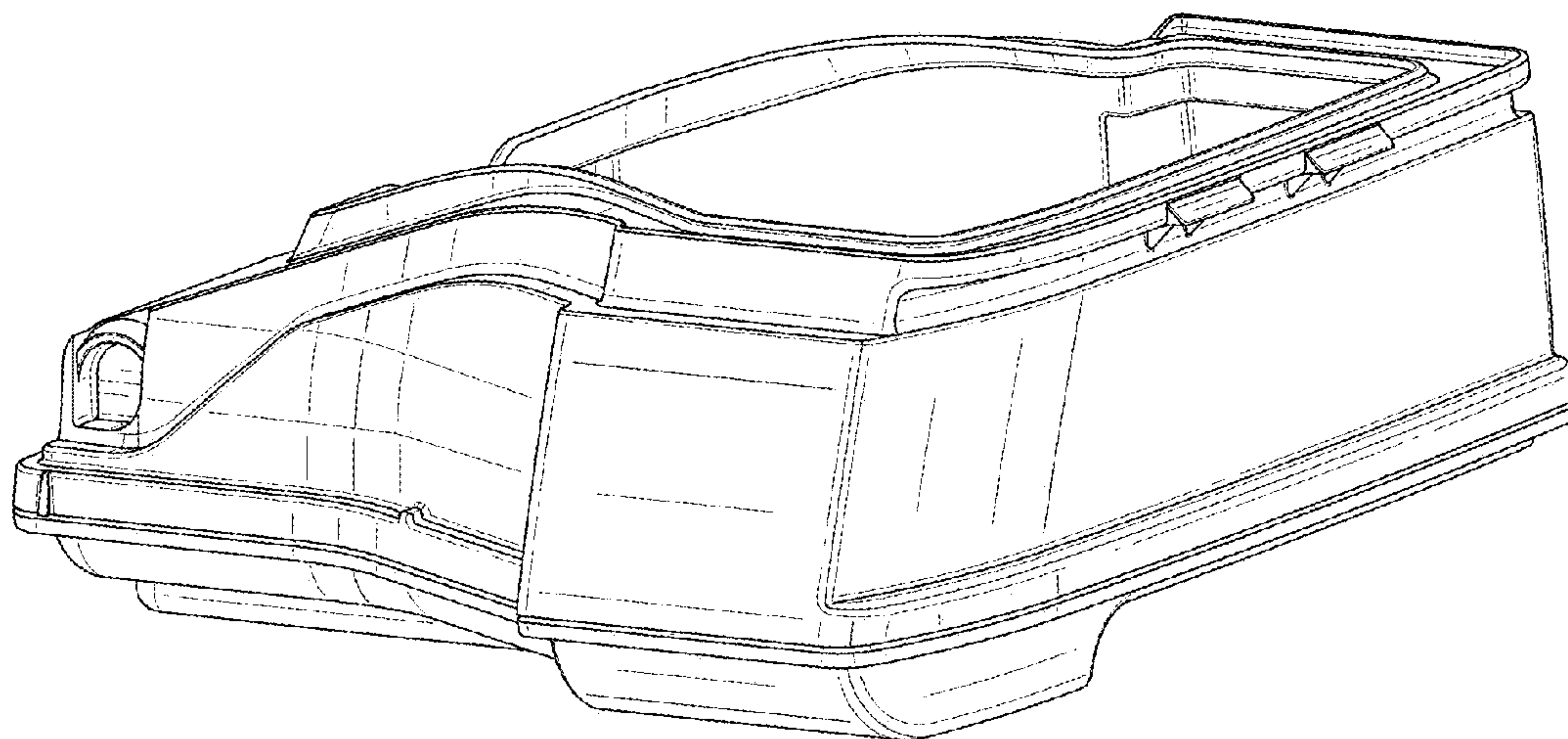


FIG. 1

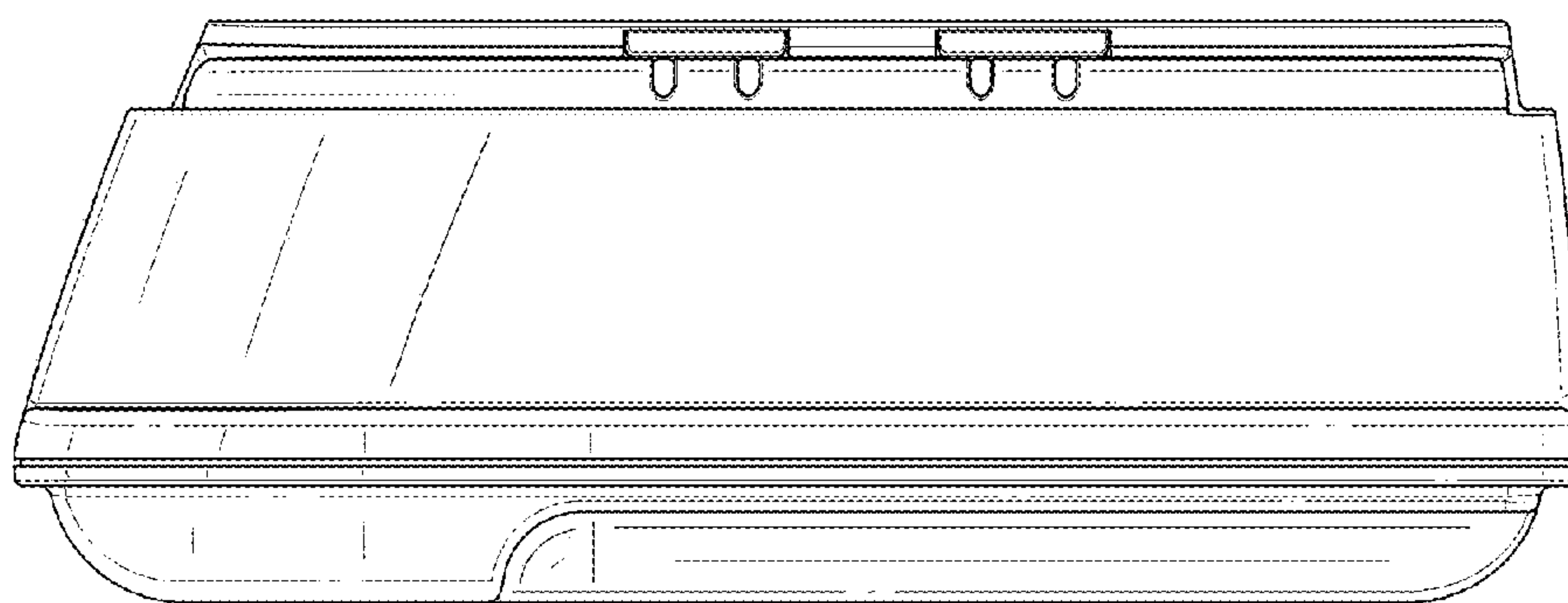


FIG. 2

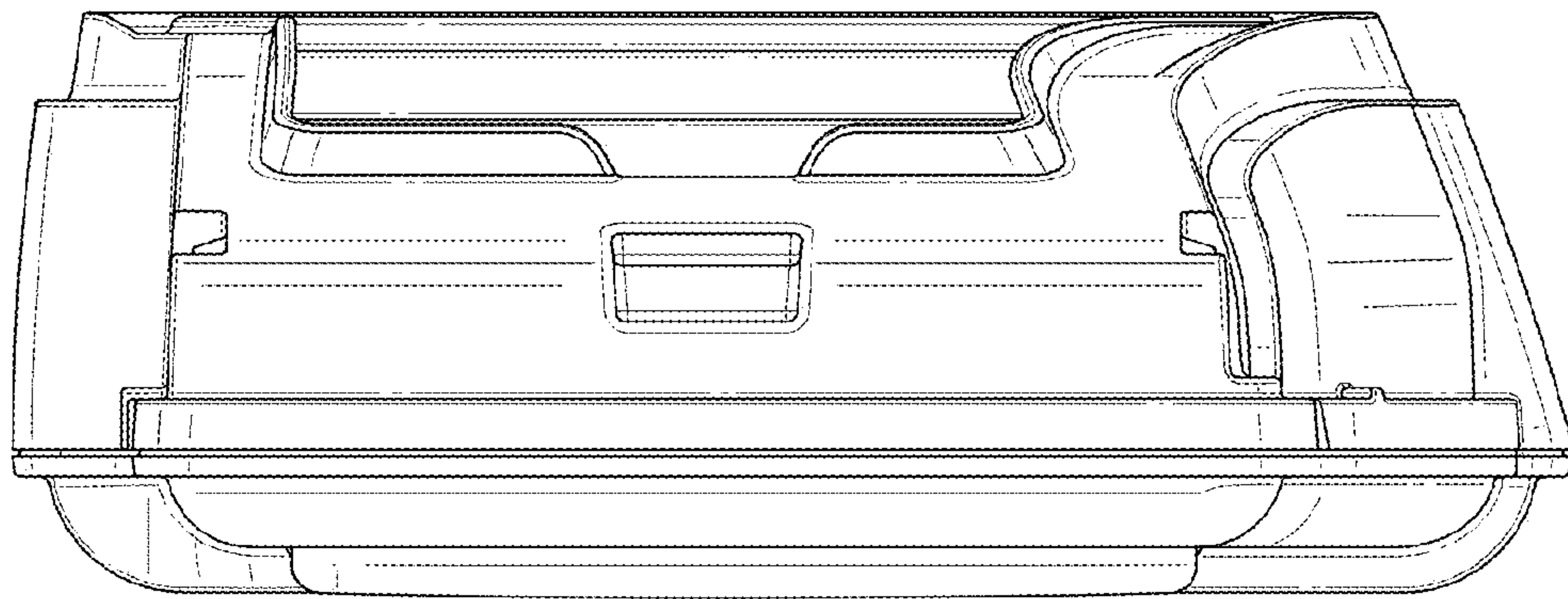


FIG. 3

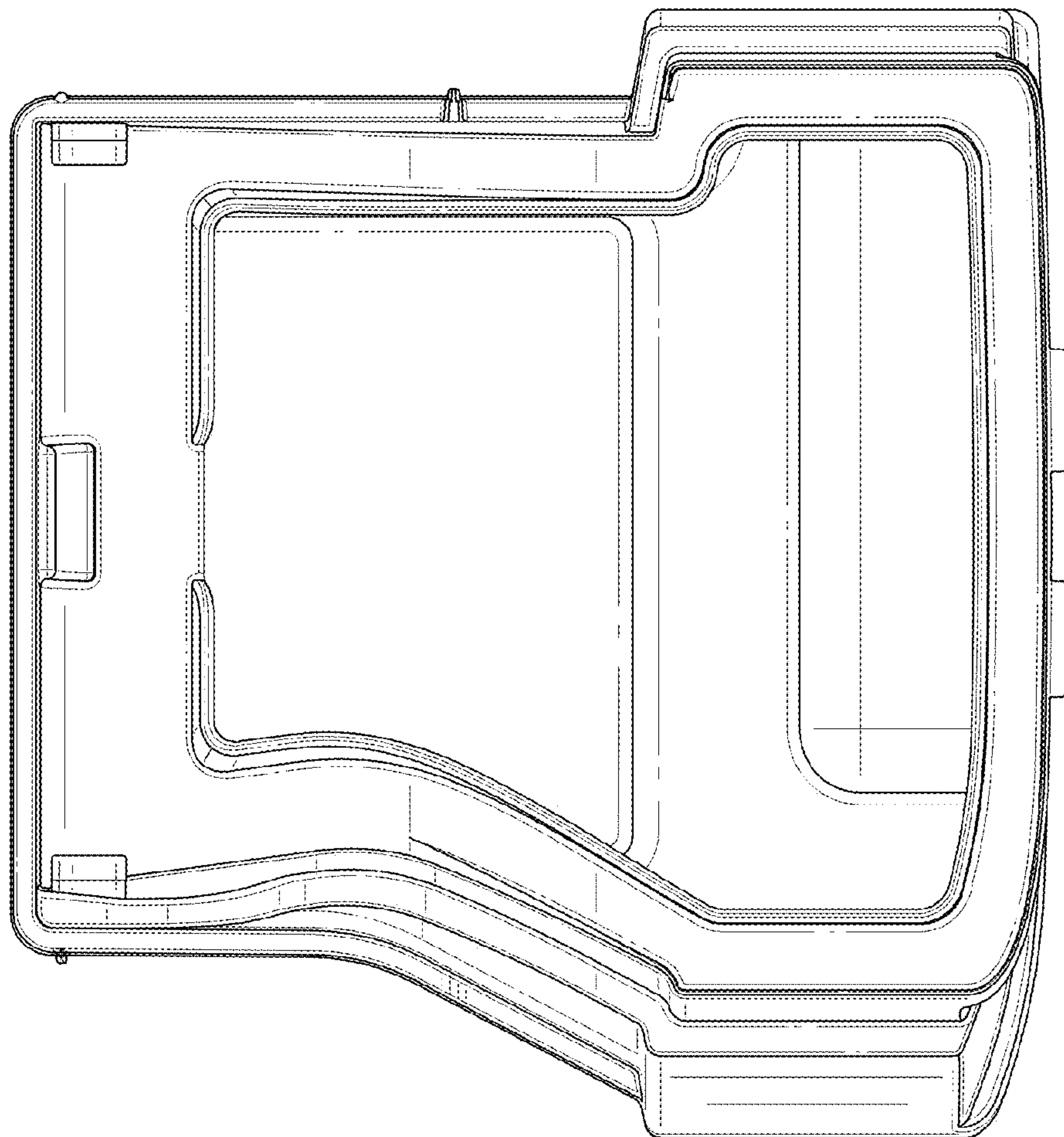


FIG. 4

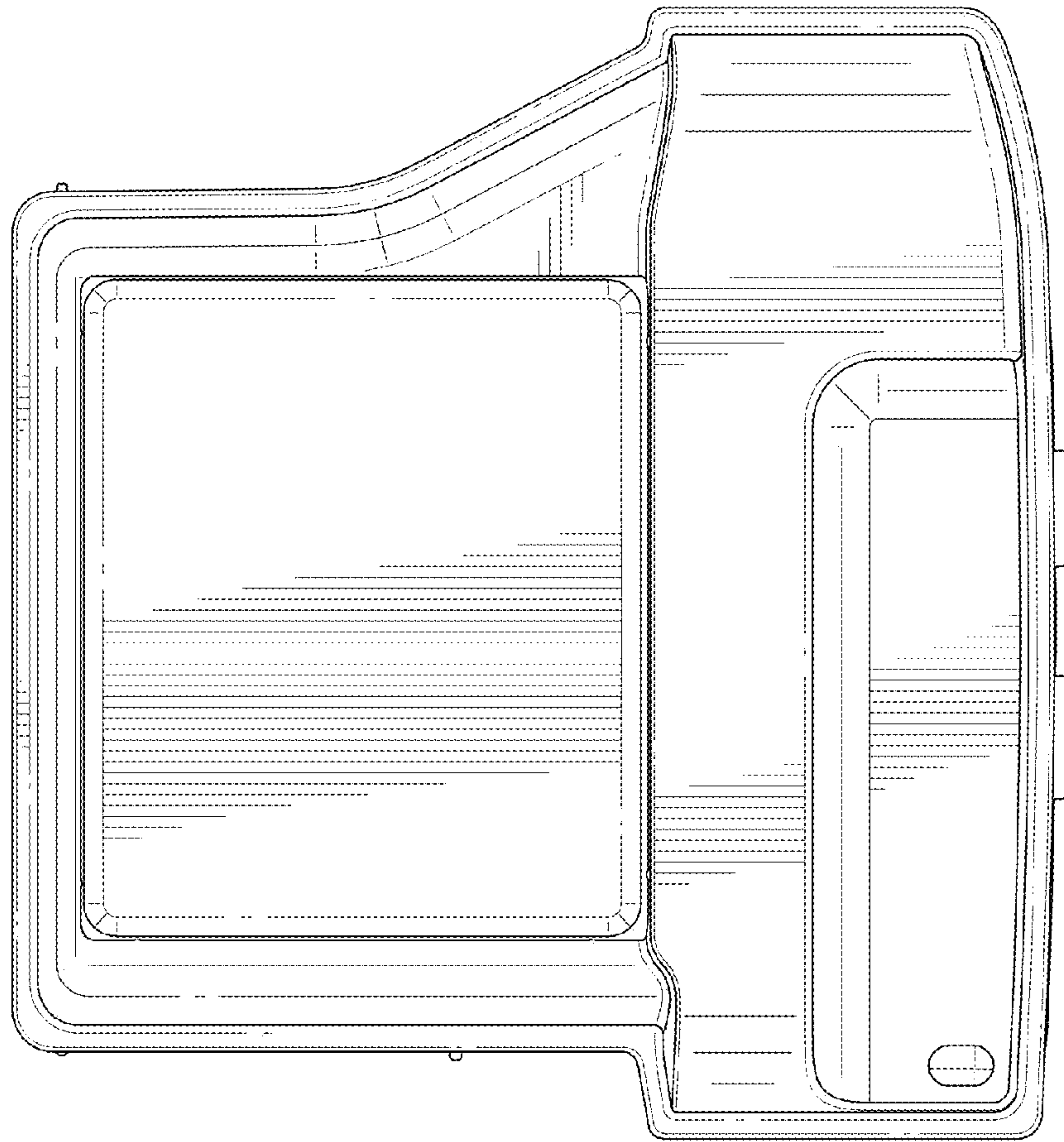


FIG. 5

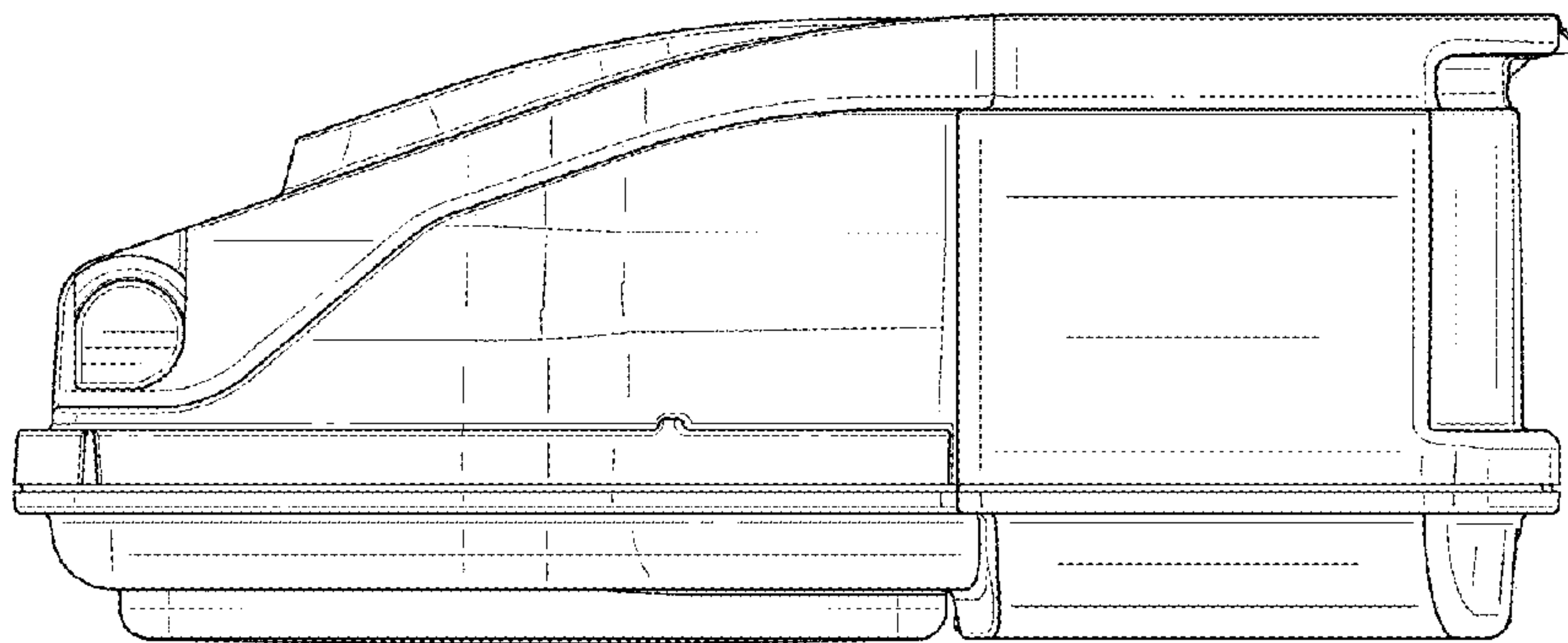


FIG. 6

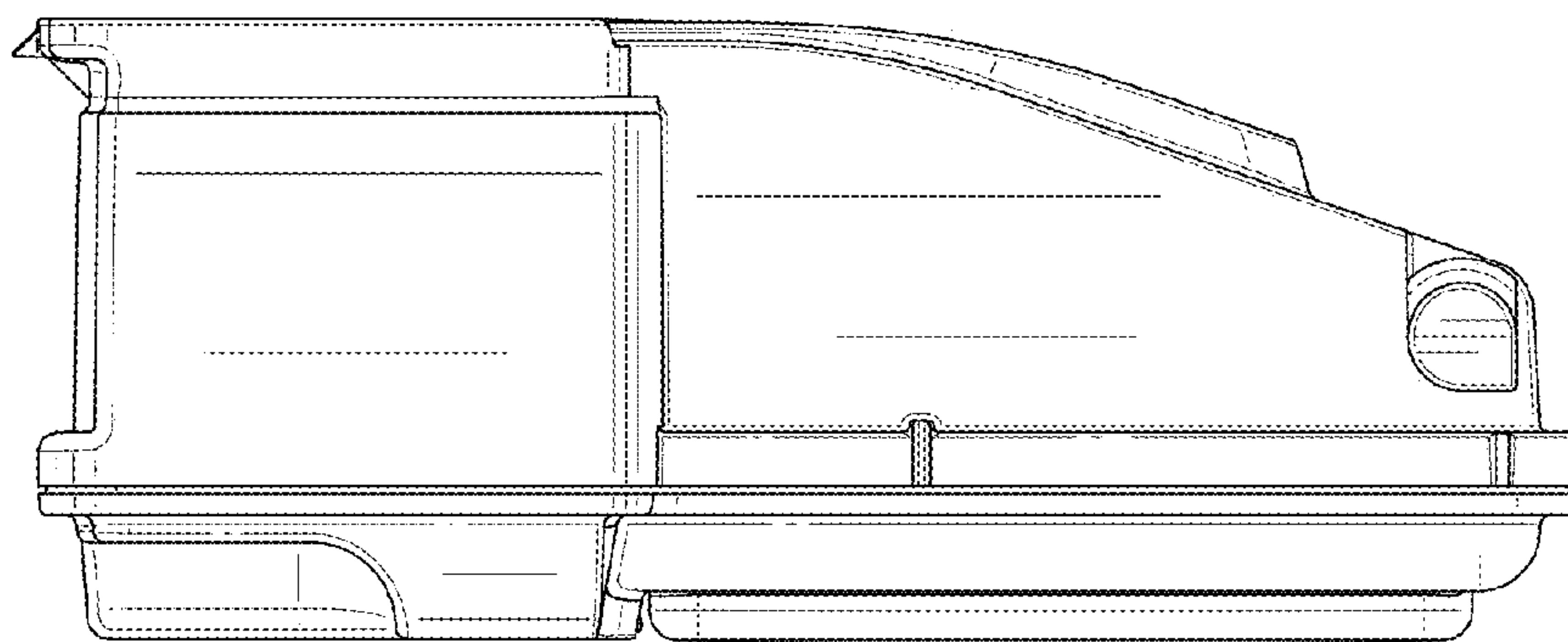


FIG. 7

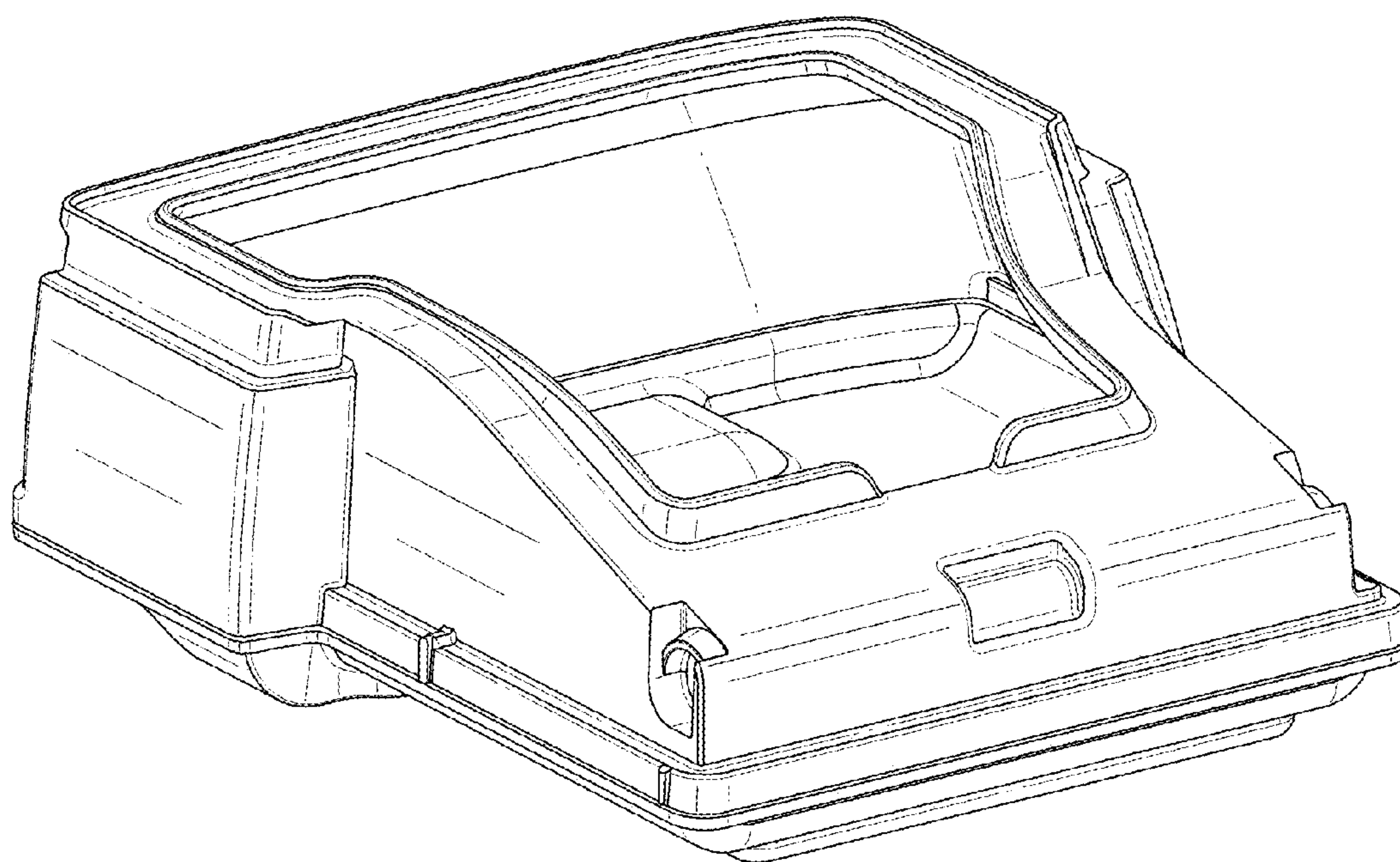


FIG. 8

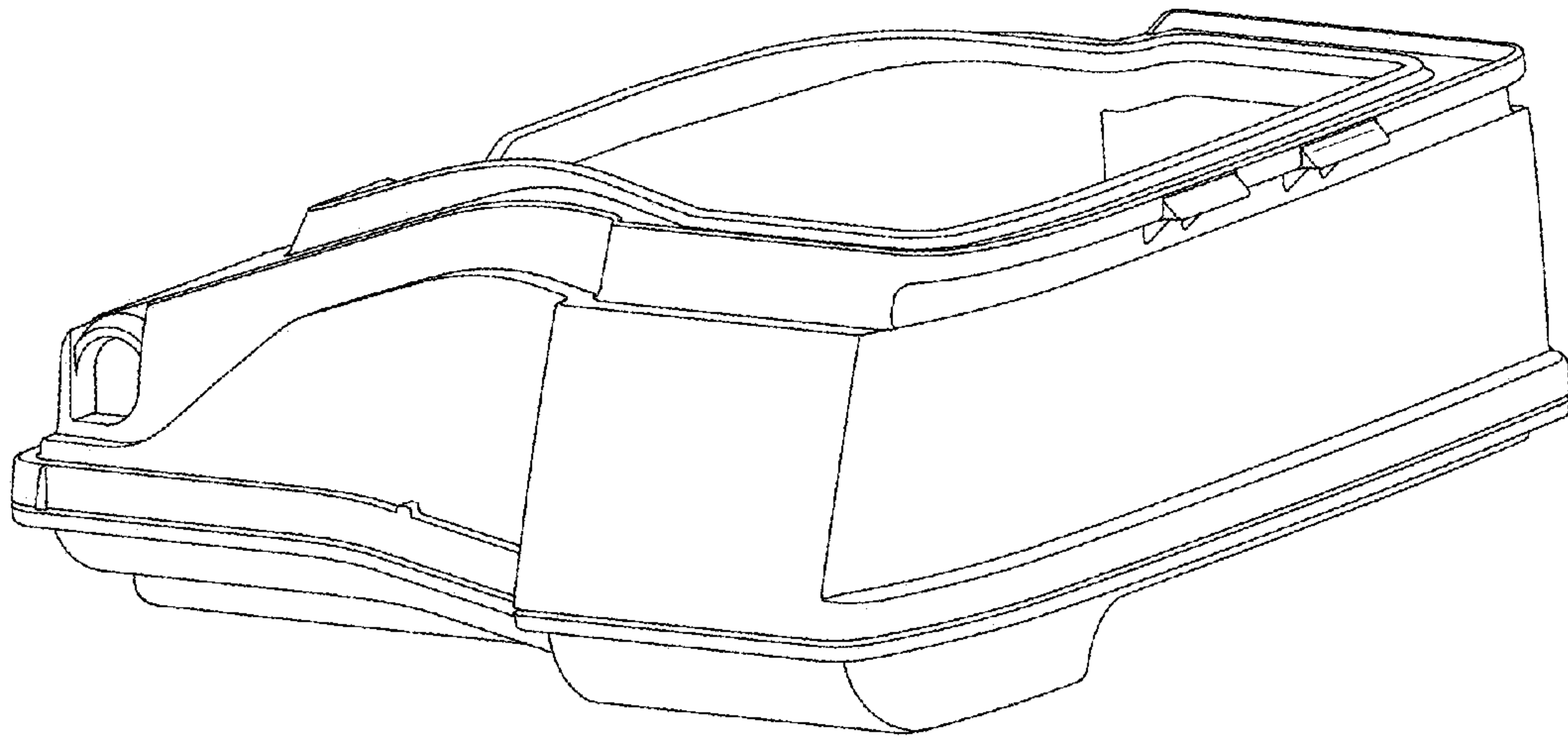


FIG. 9

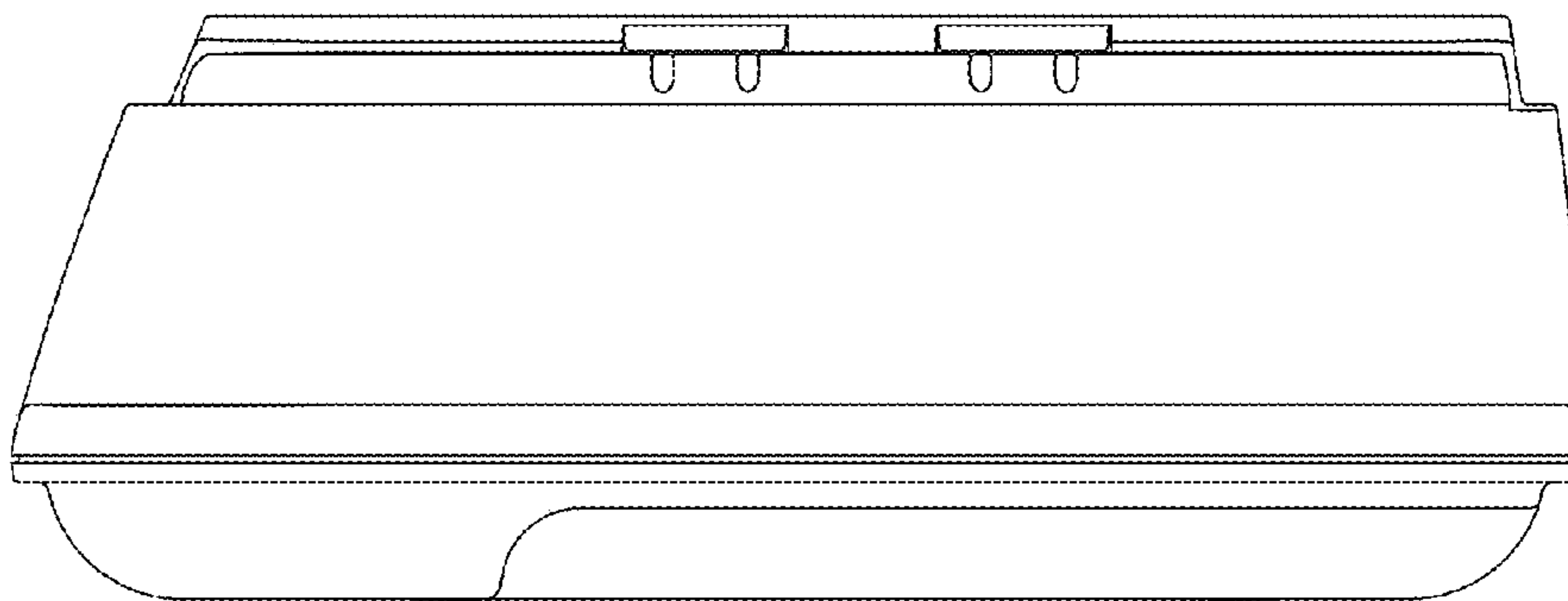


FIG. 10

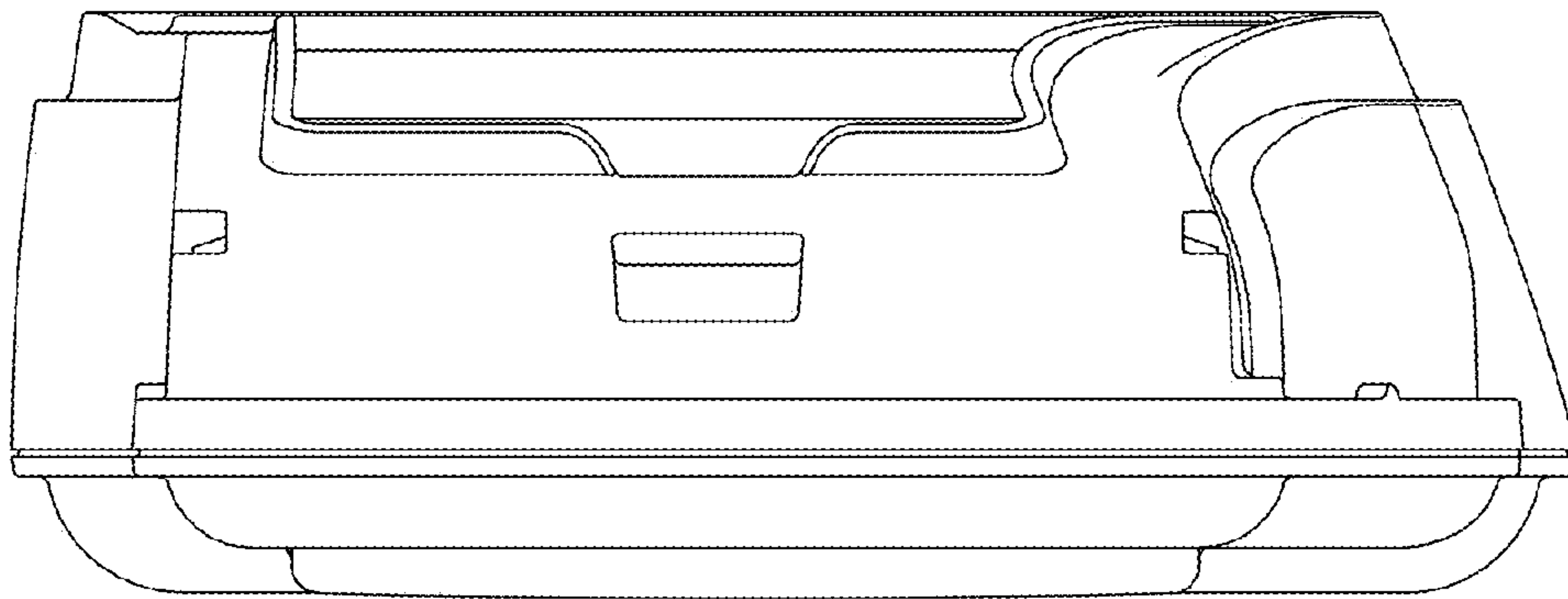


FIG. 11

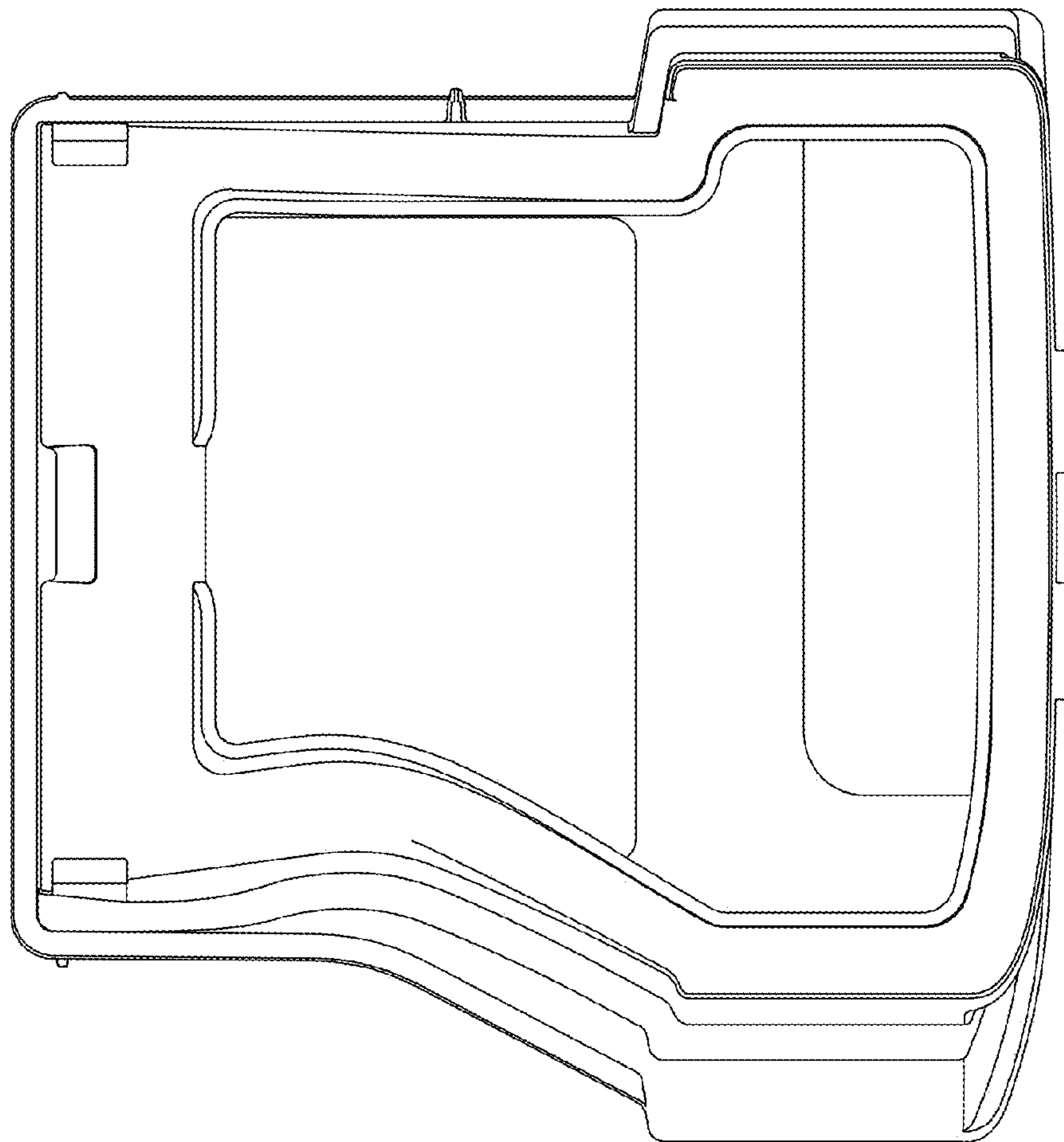


FIG. 12

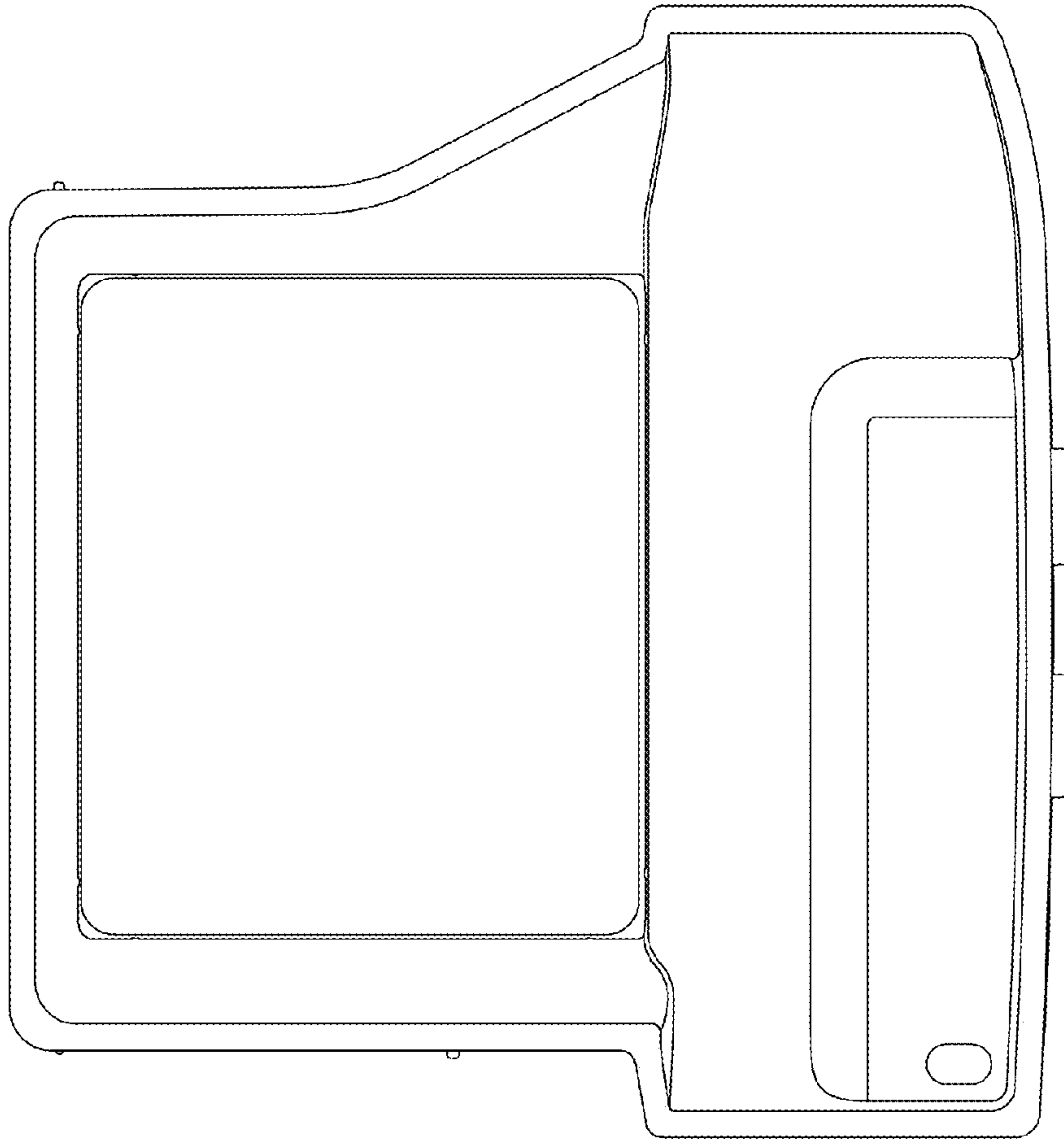


FIG. 13

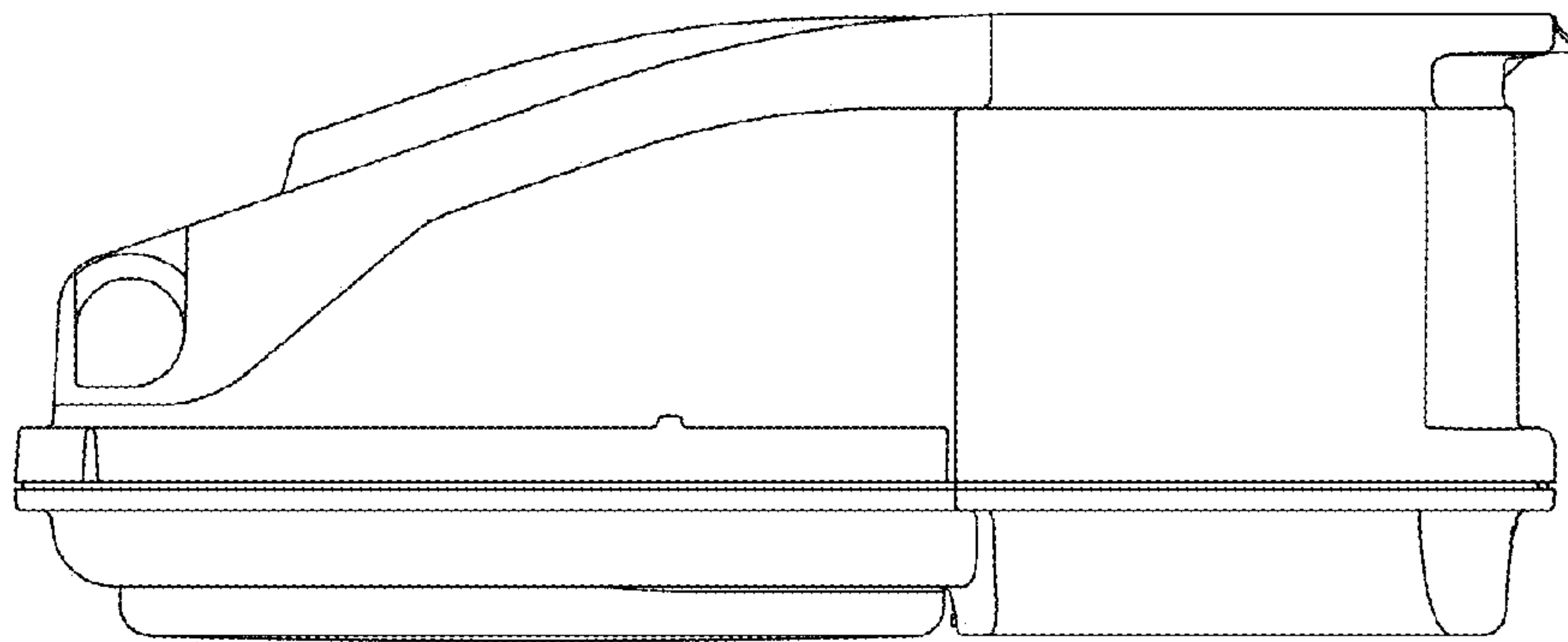


FIG. 14

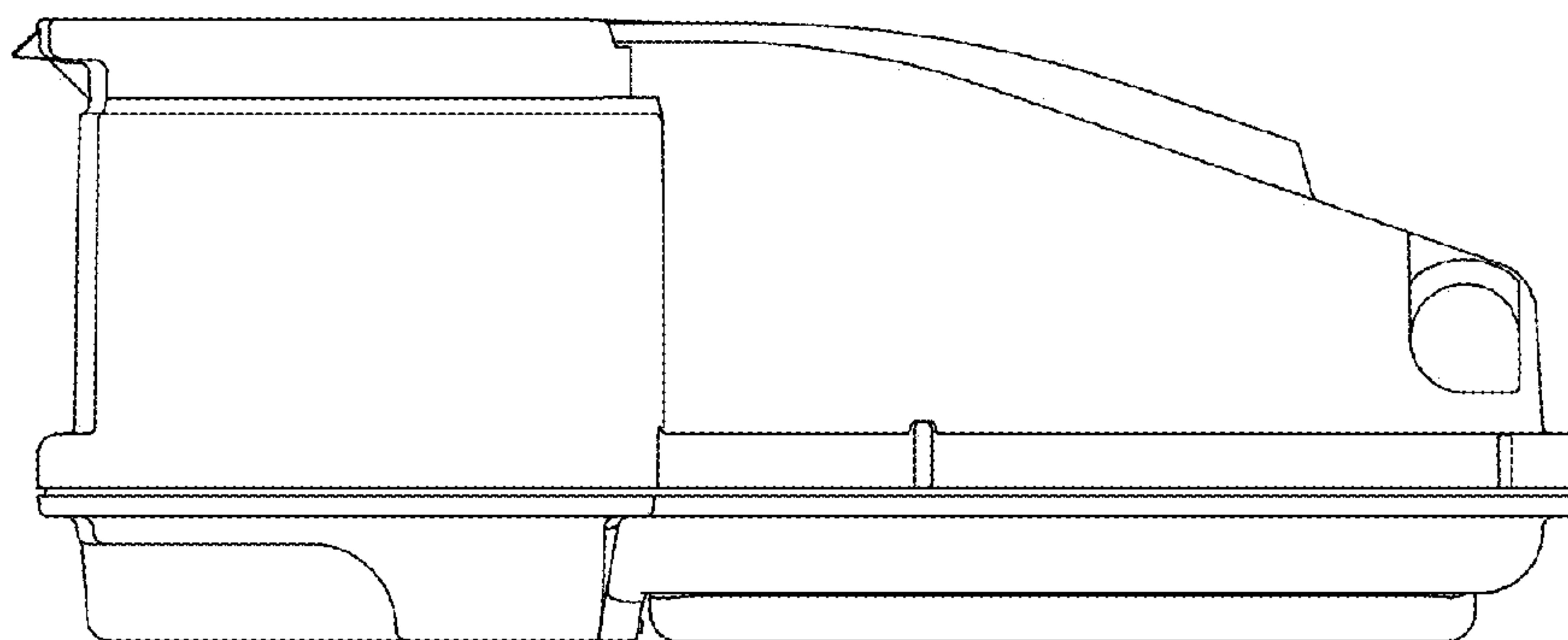


FIG. 15

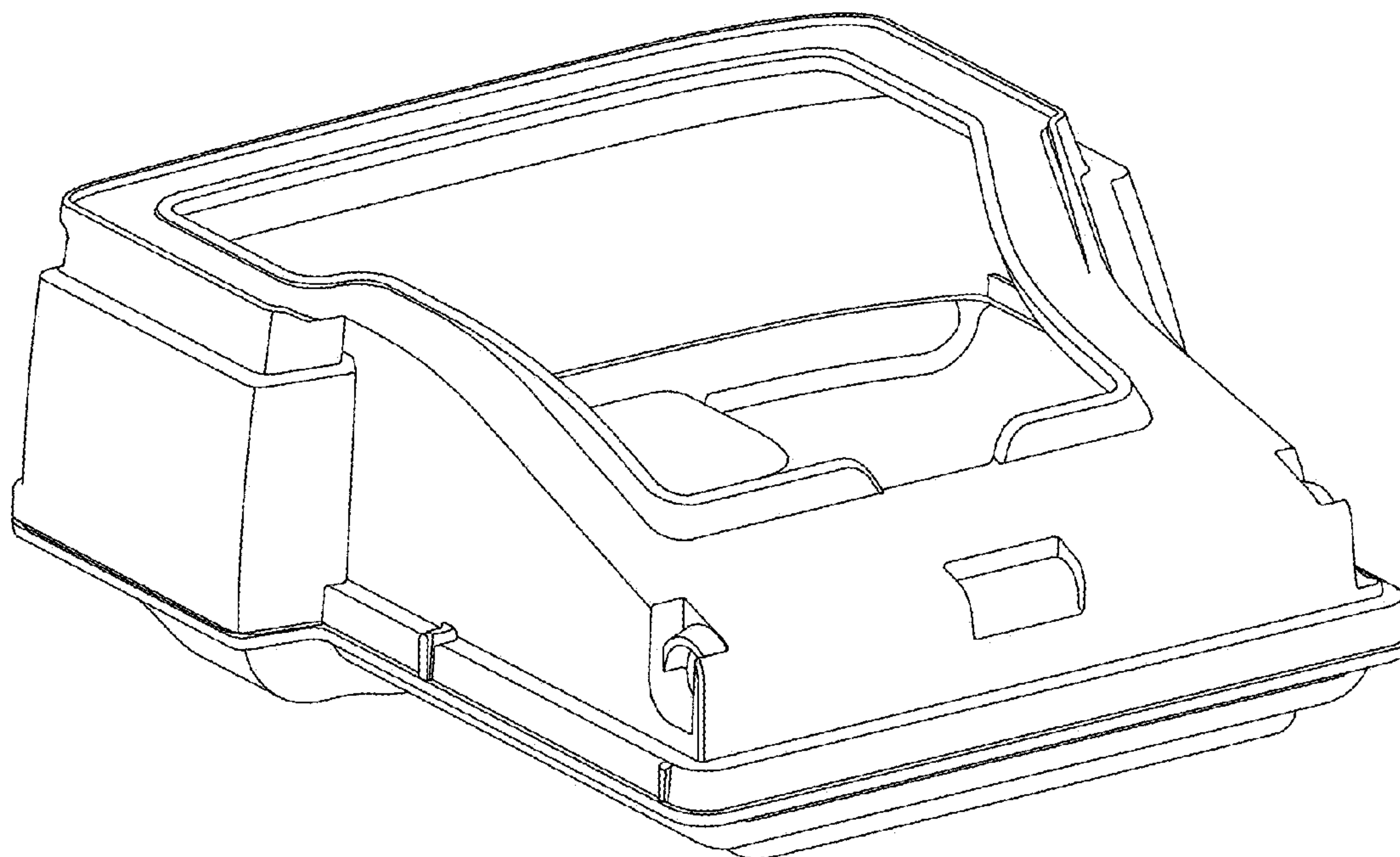


FIG. 16