



US00D752225S

(12) **United States Design Patent**  
**Sul**

(10) **Patent No.:** **US D752,225 S**  
(45) **Date of Patent:** **\*\* Mar. 22, 2016**

(54) **X-RAY APPARATUS**

(71) Applicant: **Samsung Electronics Co., Ltd.**,  
Suwon-si, Gyeonggi-do (KR)

(72) Inventor: **Sung Woo Sul**, Yongin-si (KR)

(73) Assignee: **Samsung Electronics Co., Ltd.**,  
Suwon-si (KR)

(\*\*) Term: **14 Years**

(21) Appl. No.: **29/524,917**

(22) Filed: **Apr. 24, 2015**

(30) **Foreign Application Priority Data**

Nov. 28, 2014 (KR) ..... 30-2014-0057853

(51) **LOC (10) Cl.** ..... **24-01**

(52) **U.S. Cl.**  
USPC ..... **D24/158**

(58) **Field of Classification Search**  
USPC ..... D24/158-161, 185, 186, 107  
CPC ..... A61B 6/06; A61B 6/4405; A61B 6/4411;  
A61B 6/032; A61B 5/055; G01N 2223/1016;  
G01N 2223/301; G01N 23/046; G01N  
2223/031; G01N 2223/419; G01R 33/48

See application file for complete search history.

(56) **References Cited**

U.S. PATENT DOCUMENTS

D671,217	S	*	11/2012	Moon	.....	D24/158
D683,021	S	*	5/2013	Moon	.....	D24/158
D710,013	S	*	7/2014	Li	.....	D24/158
D713,036	S	*	9/2014	Sul	.....	D24/158
D715,938	S	*	10/2014	Li	.....	D24/158
D715,941	S	*	10/2014	Li	.....	D24/158
2008/0279331	A1	*	11/2008	Huang	.....	A61B 6/4482 378/68

\* cited by examiner

*Primary Examiner* — Anhdao Doan

(74) *Attorney, Agent, or Firm* — Ladas & Parry LLP

(57) **CLAIM**

I claim the ornamental design for the X-ray apparatus, as shown and described.

**DESCRIPTION**

FIG. 1 is the front perspective view of the X-ray apparatus showing my new design;  
FIG. 2 is the front view thereof;  
FIG. 3 is the rear view thereof;  
FIG. 4 is the left-side view thereof;  
FIG. 5 is the right-side view thereof;  
FIG. 6 is the top plan view thereof; and,  
FIG. 7 is the bottom plan view thereof.  
The broken lines in the drawing show unclaimed environment only and form no part of the claimed design.

**1 Claim, 7 Drawing Sheets**

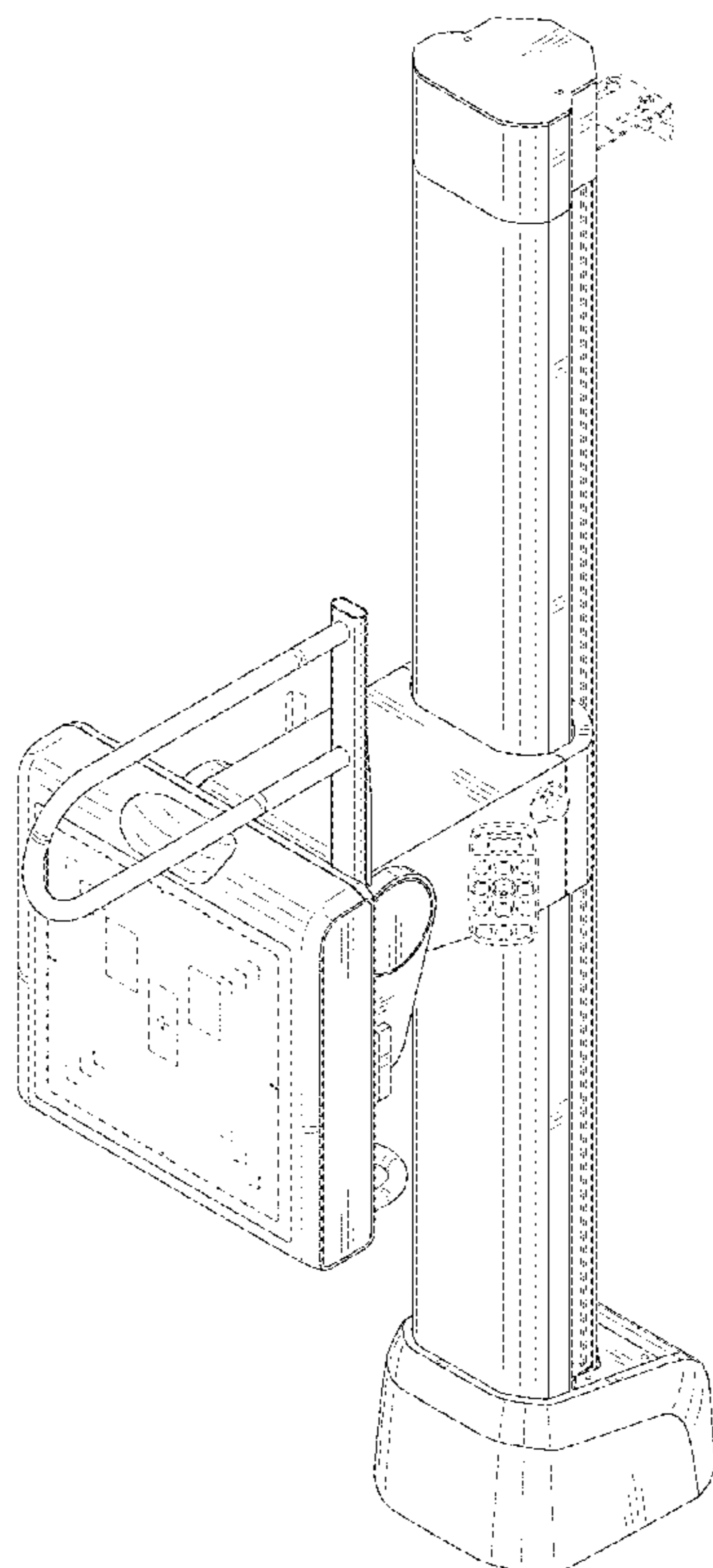


FIG.1

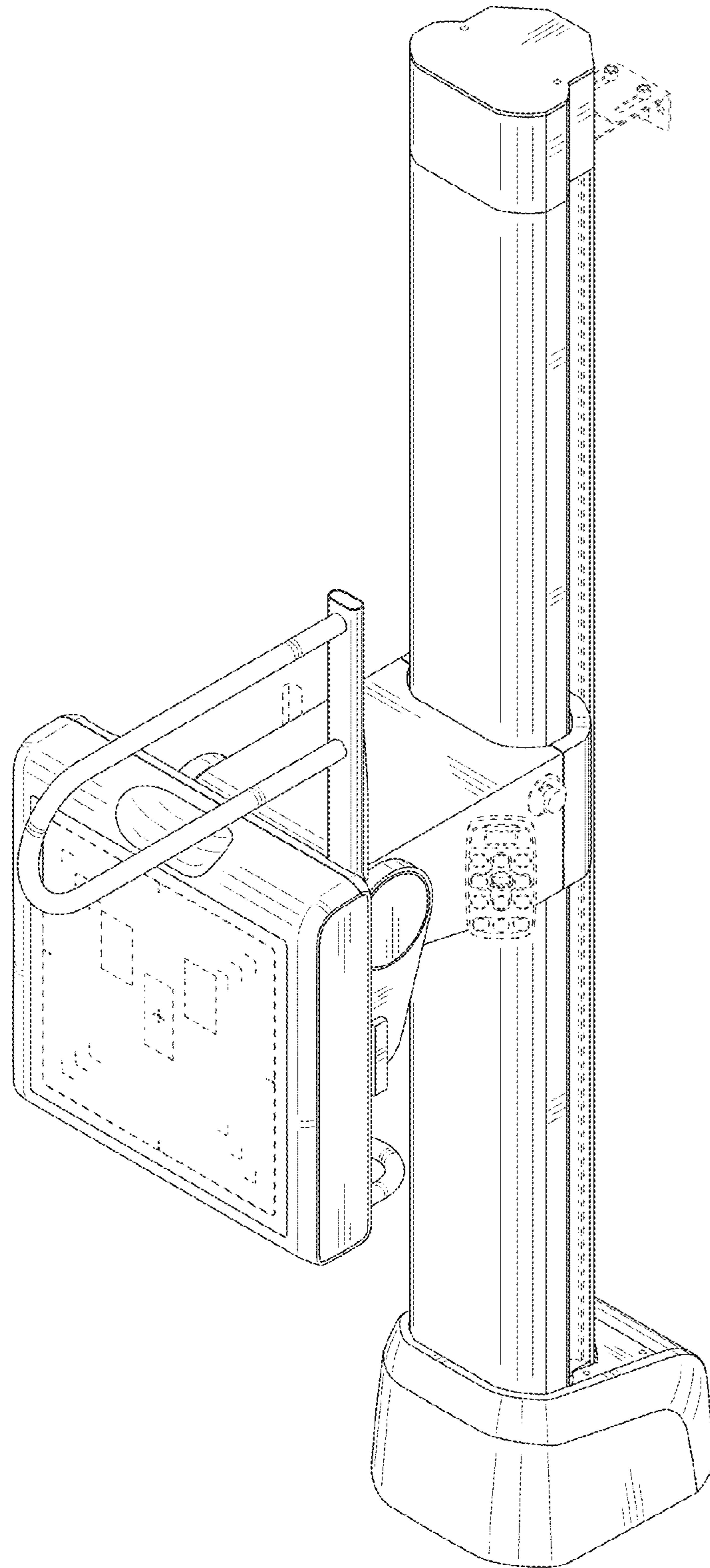


FIG.2

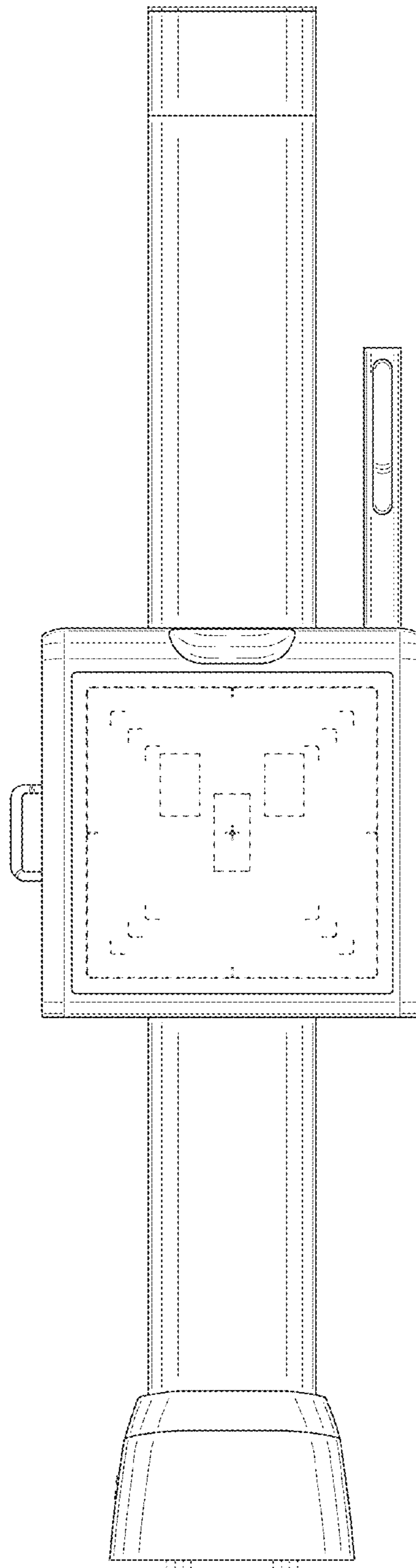


FIG.3

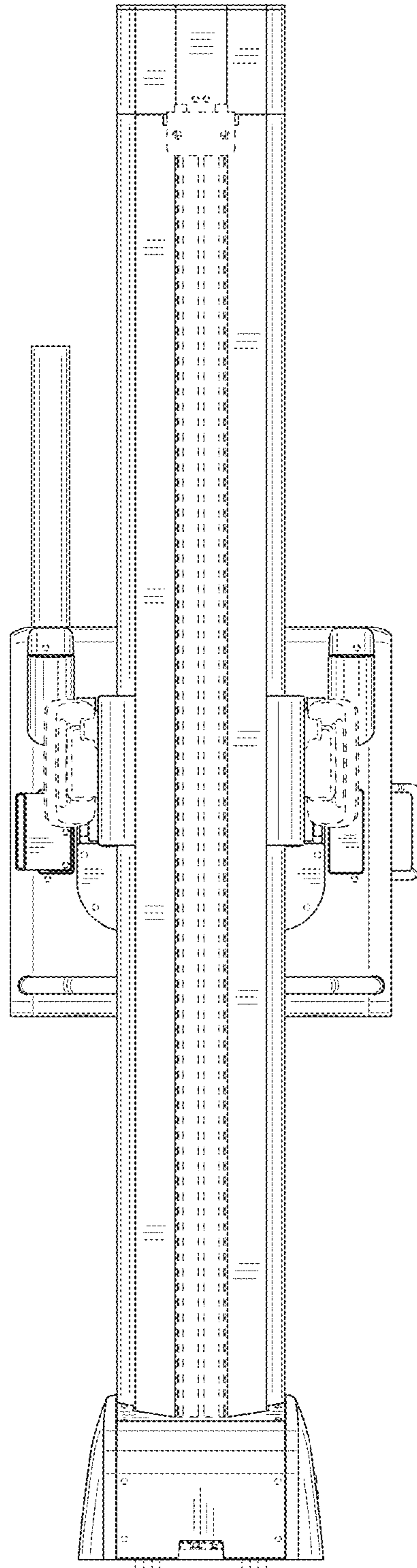


FIG.4

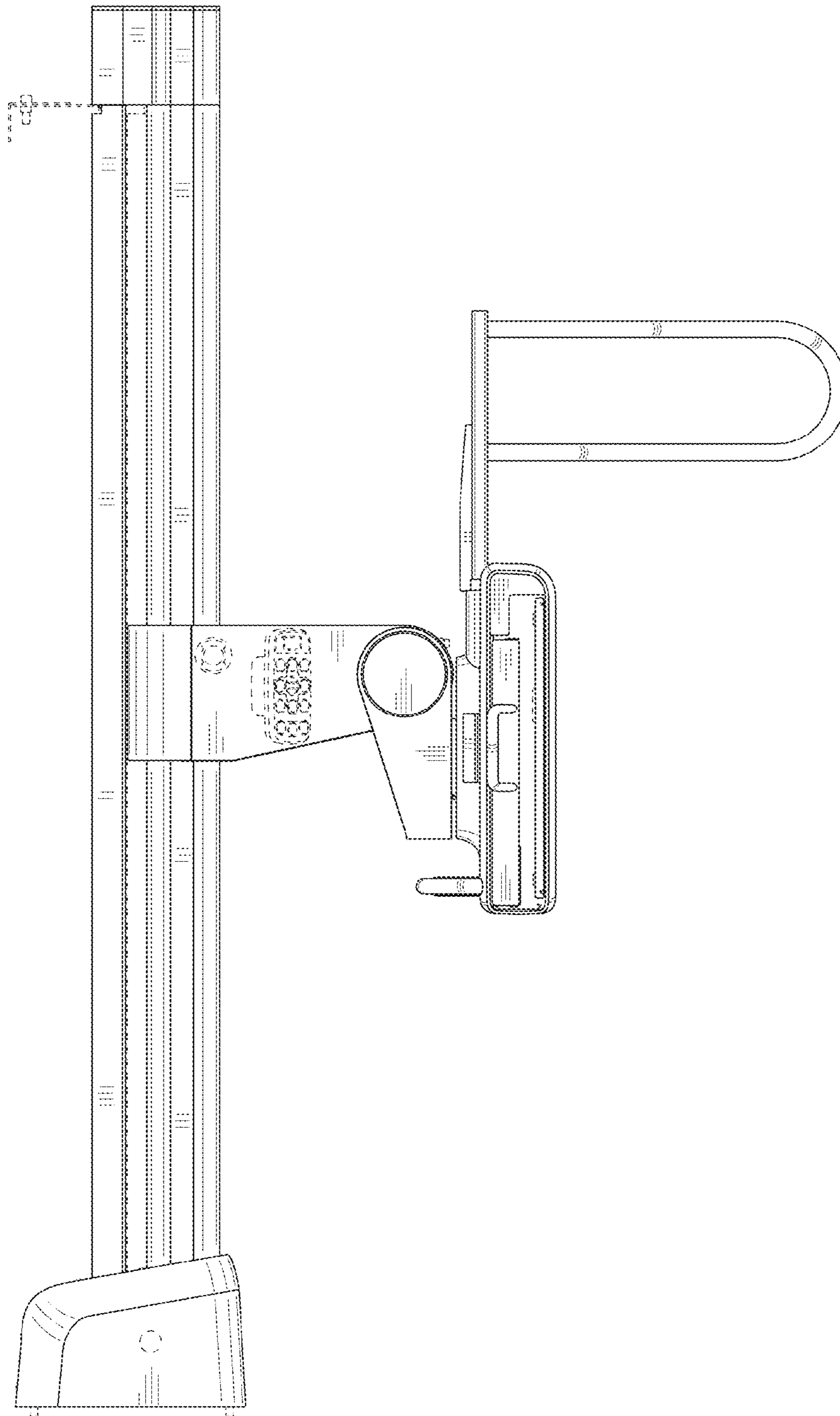


FIG.5

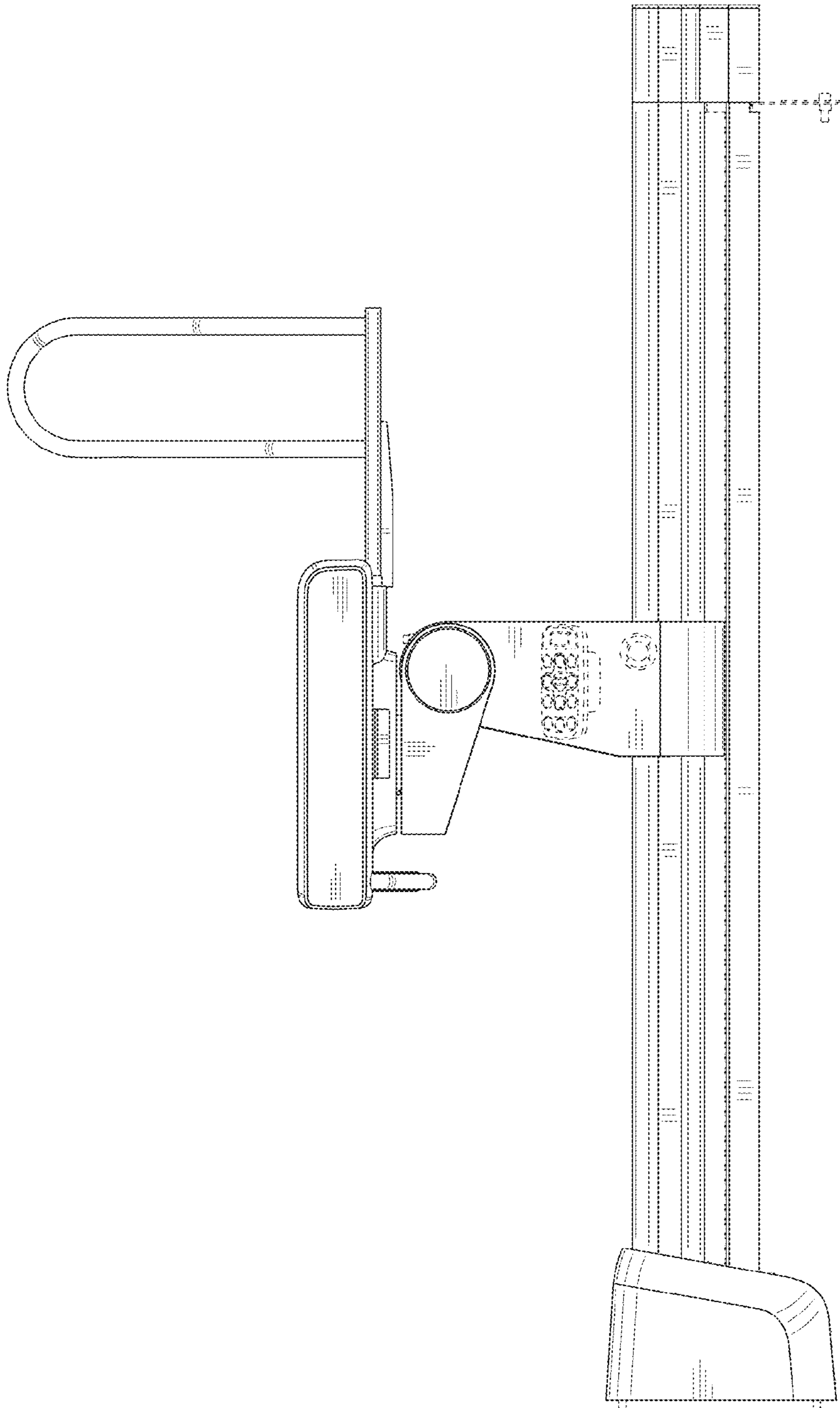


FIG.6

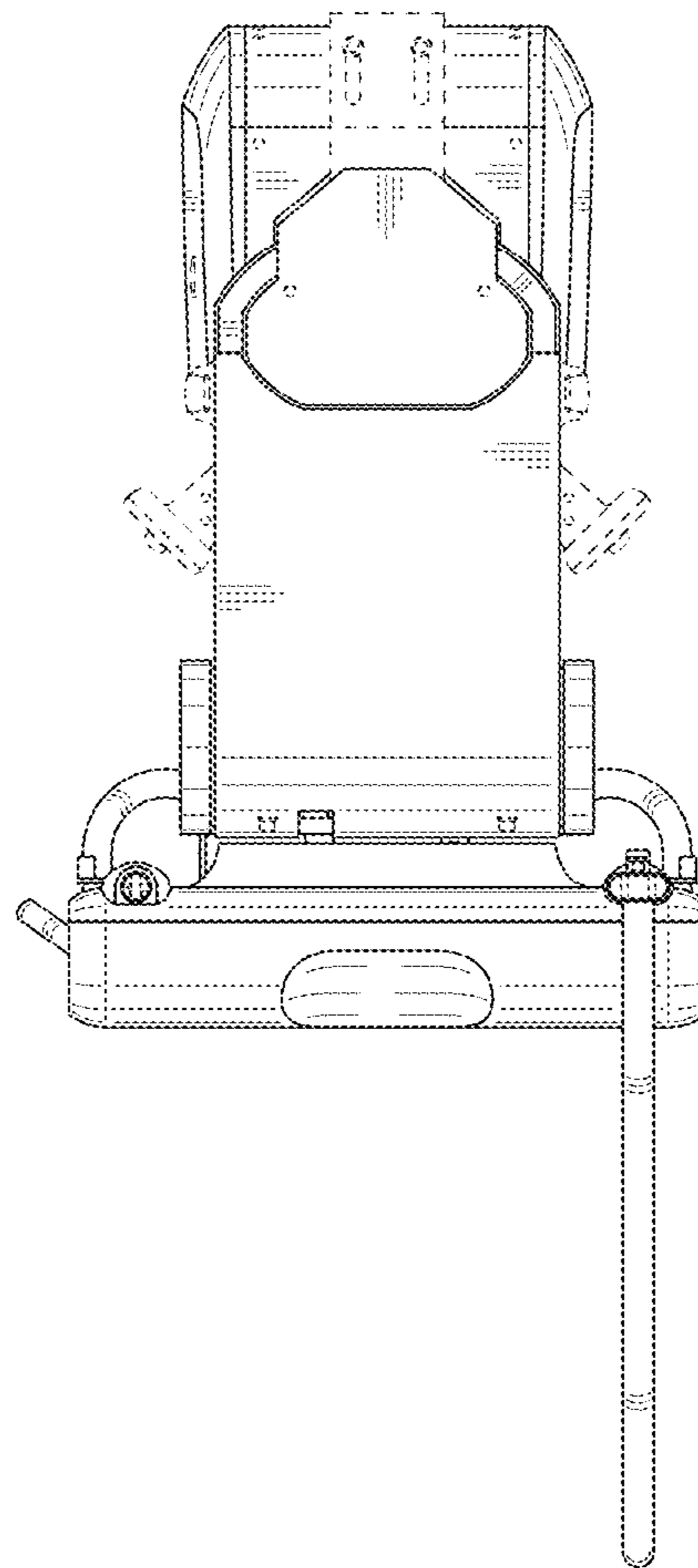


FIG.7

