



US00D752224S

(12) **United States Design Patent**  
**Park et al.**

(10) **Patent No.:** **US D752,224 S**  
(45) **Date of Patent:** **\*\* Mar. 22, 2016**

(54) **MRI**

(71) Applicant: **Samsung Electronics Co., Ltd.**,  
Suwon-si (KR)

(72) Inventors: **Jin Soo Park**, Seoul (KR); **Yeon Moo Chung**, Seoul (KR)

(73) Assignee: **Samsung Electronics Co., Ltd.**,  
Suwon-si (KR)

(\*\*) Term: **14 Years**

(21) Appl. No.: **29/504,509**

(22) Filed: **Oct. 7, 2014**

(30) **Foreign Application Priority Data**

Apr. 9, 2014 (KR) ..... 30-2014-0017869

(51) **LOC (10) Cl.** ..... **24-01**

(52) **U.S. Cl.**  
USPC ..... **D24/158**

(58) **Field of Classification Search**  
USPC ..... D24/158-161, 185, 186, 107; D13/162,  
D13/163, 168, 171, 174  
CPC ..... A61B 6/06; A61B 6/4405; A61B 6/4411;  
A61B 6/032; A61B 5/055; G01N 2223/1016;  
G01N 2223/301; G01N 23/046; G01N  
2223/031; G01N 2223/419; G01R 33/48

See application file for complete search history.

(56) **References Cited**

U.S. PATENT DOCUMENTS

D335,283 S *	5/1993	Justiniano .....	D13/171
D357,919 S *	5/1995	Tsui .....	D13/168
D533,846 S *	12/2006	Burton .....	D13/171
D562,779 S *	2/2008	Lamoree .....	D13/171
D595,240 S *	6/2009	Busbridge .....	D13/164
D700,340 S *	2/2014	Tan .....	D24/158
D715,943 S *	10/2014	Zhang .....	D24/159
D732,170 S *	6/2015	Kim .....	D24/158

\* cited by examiner

*Primary Examiner* — Anhdao Doan

(74) *Attorney, Agent, or Firm* — NSIP Law

(57) **CLAIM**

We claim the ornamental design for a MRI, as shown and described.

**DESCRIPTION**

FIG. 1 is a front perspective view of a MRI showing our new design;

FIG. 2 is a front view thereof;

FIG. 3 is a rear view thereof;

FIG. 4 is a left-side view thereof;

FIG. 5 is a right-side view thereof;

FIG. 6 is a top view thereof;

FIG. 7 is a bottom view thereof; and,

FIG. 8 is an enlarged view of the dot dash enclosed portion in FIG. 2.

The broken lines in the figures show portions of the MRI which form no part of the claimed design.

The dot dash lines enclosing portions of the claimed design which are illustrated in enlargements form no part of the claimed design.

**1 Claim, 8 Drawing Sheets**

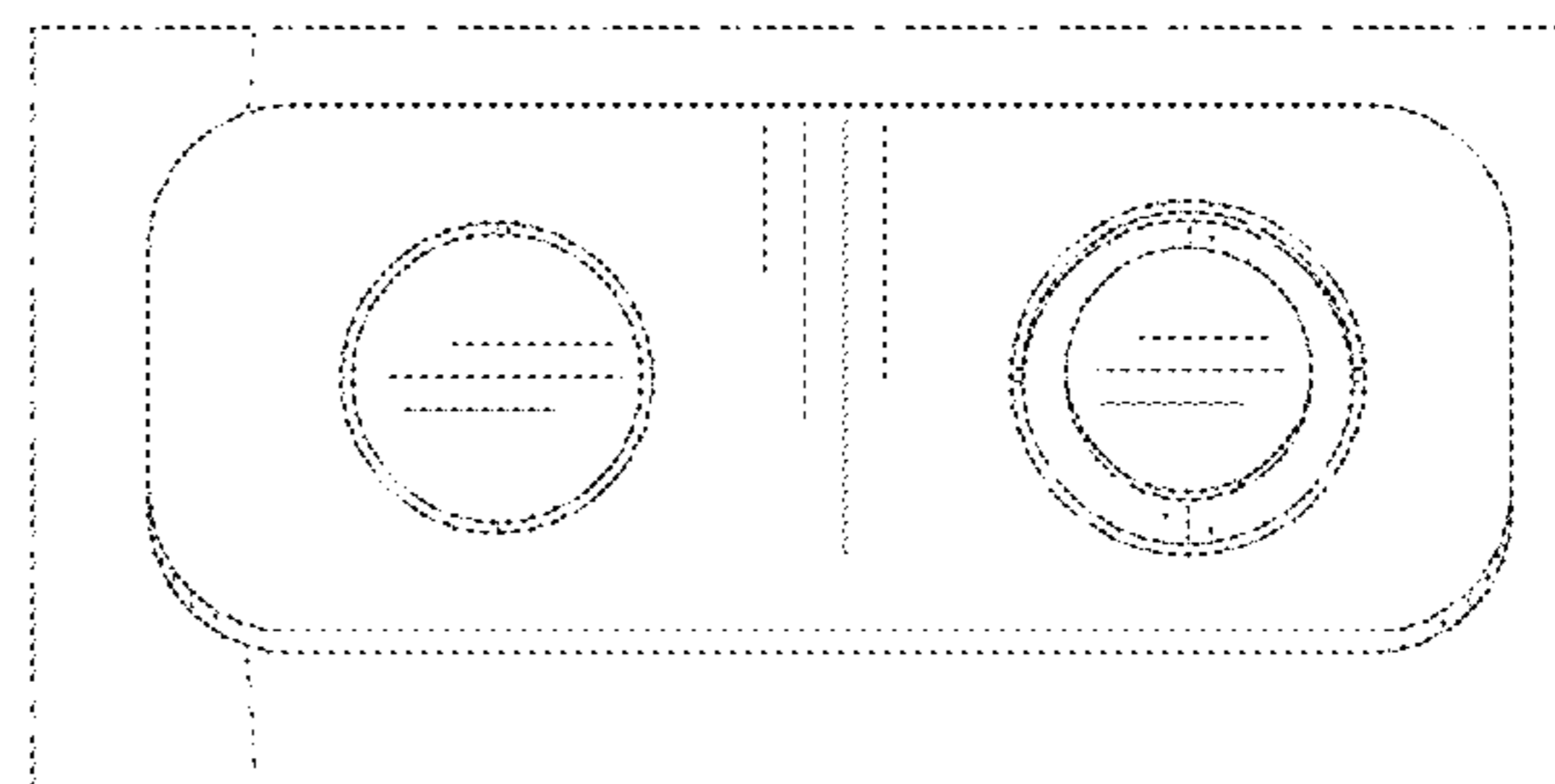
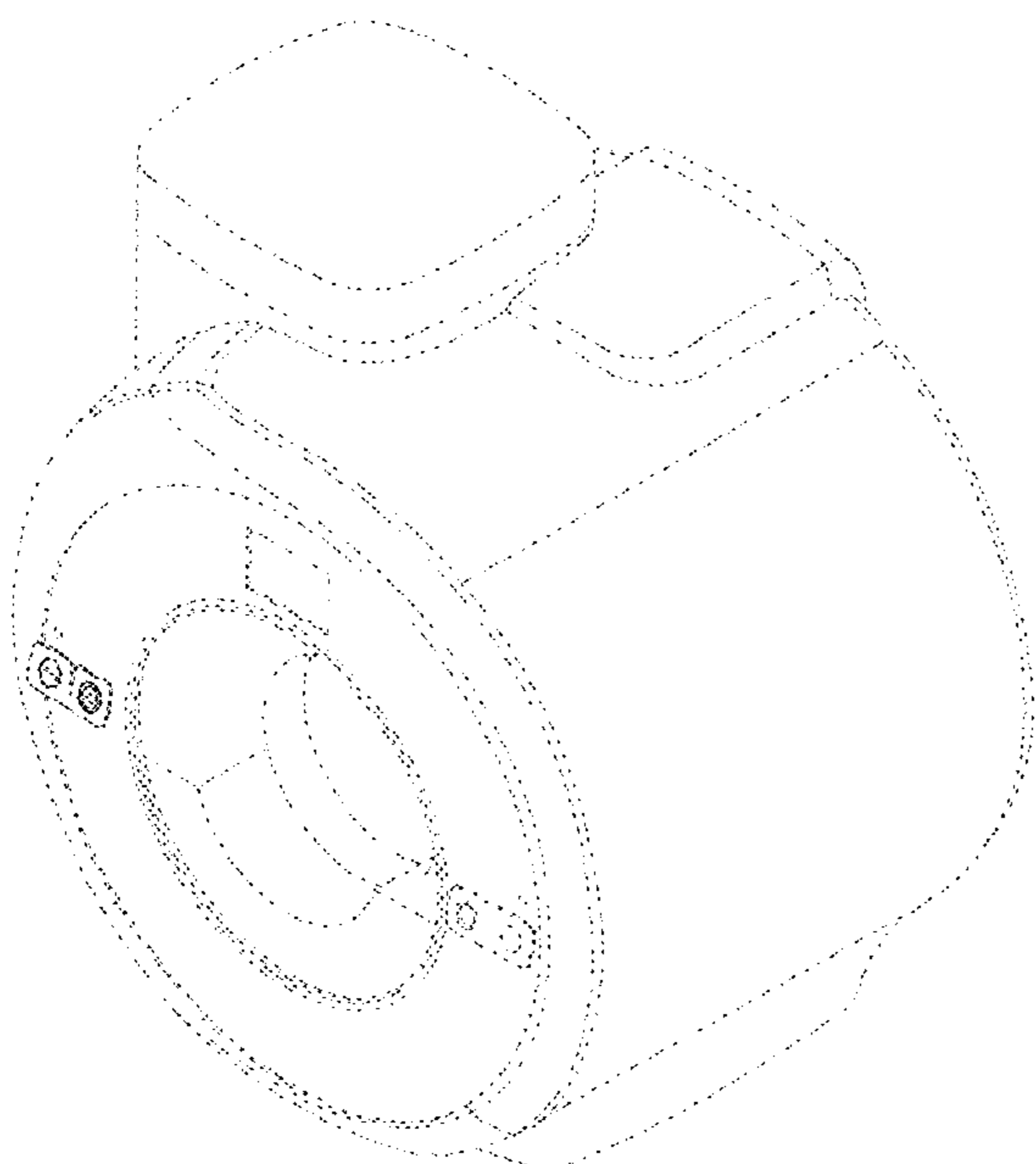


Fig. 1

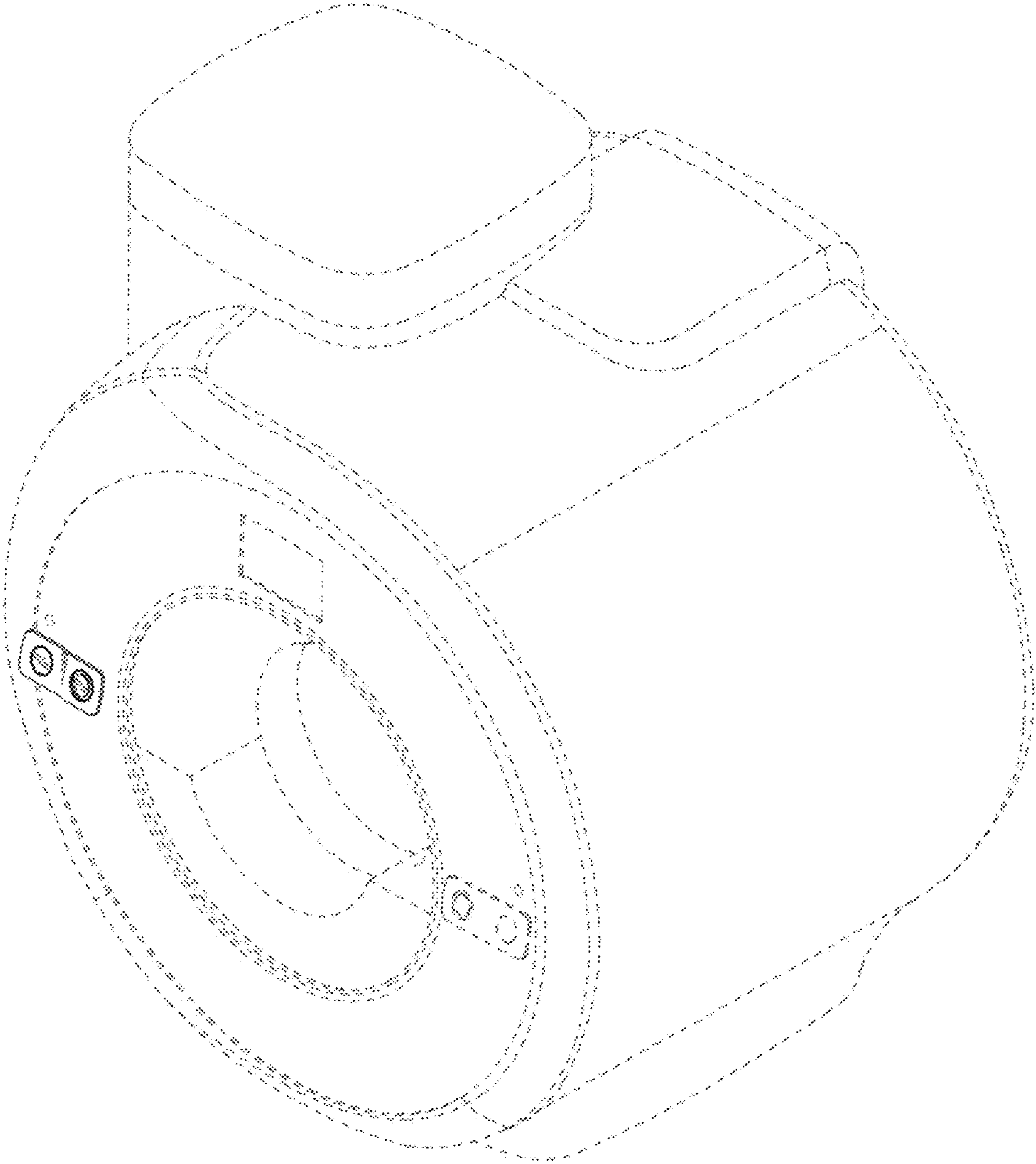


Fig. 2

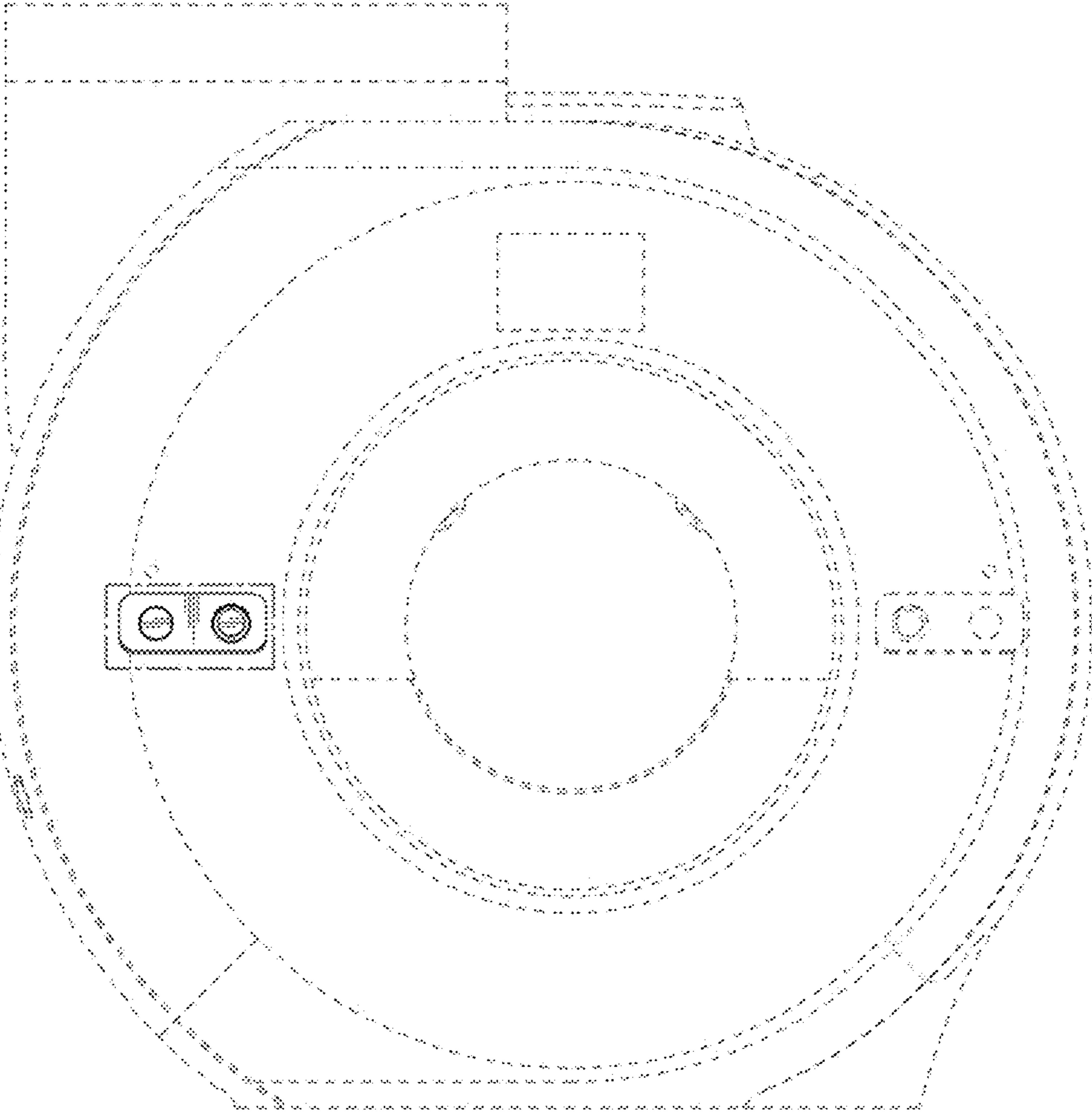


Fig. 3

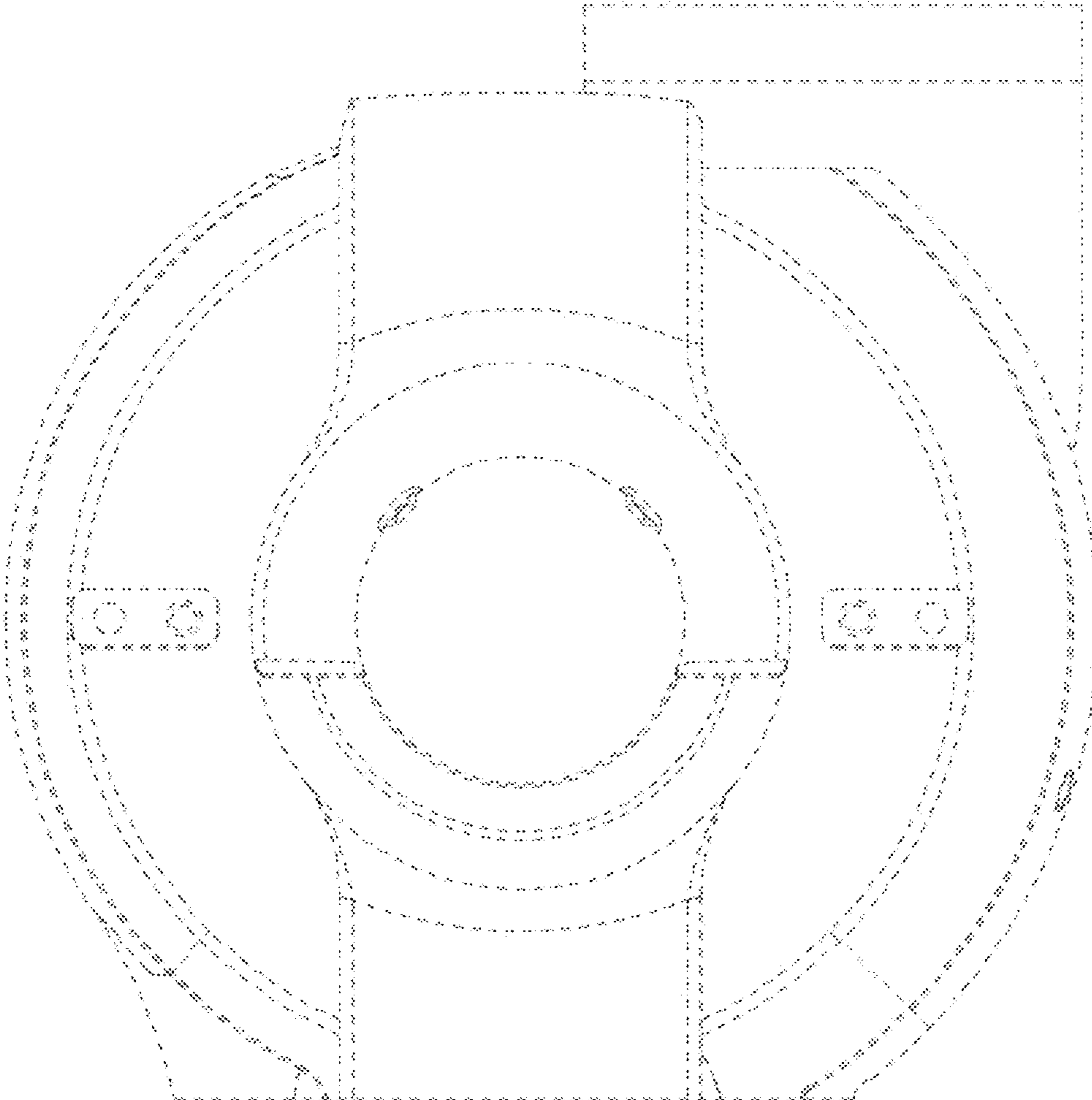


Fig. 4

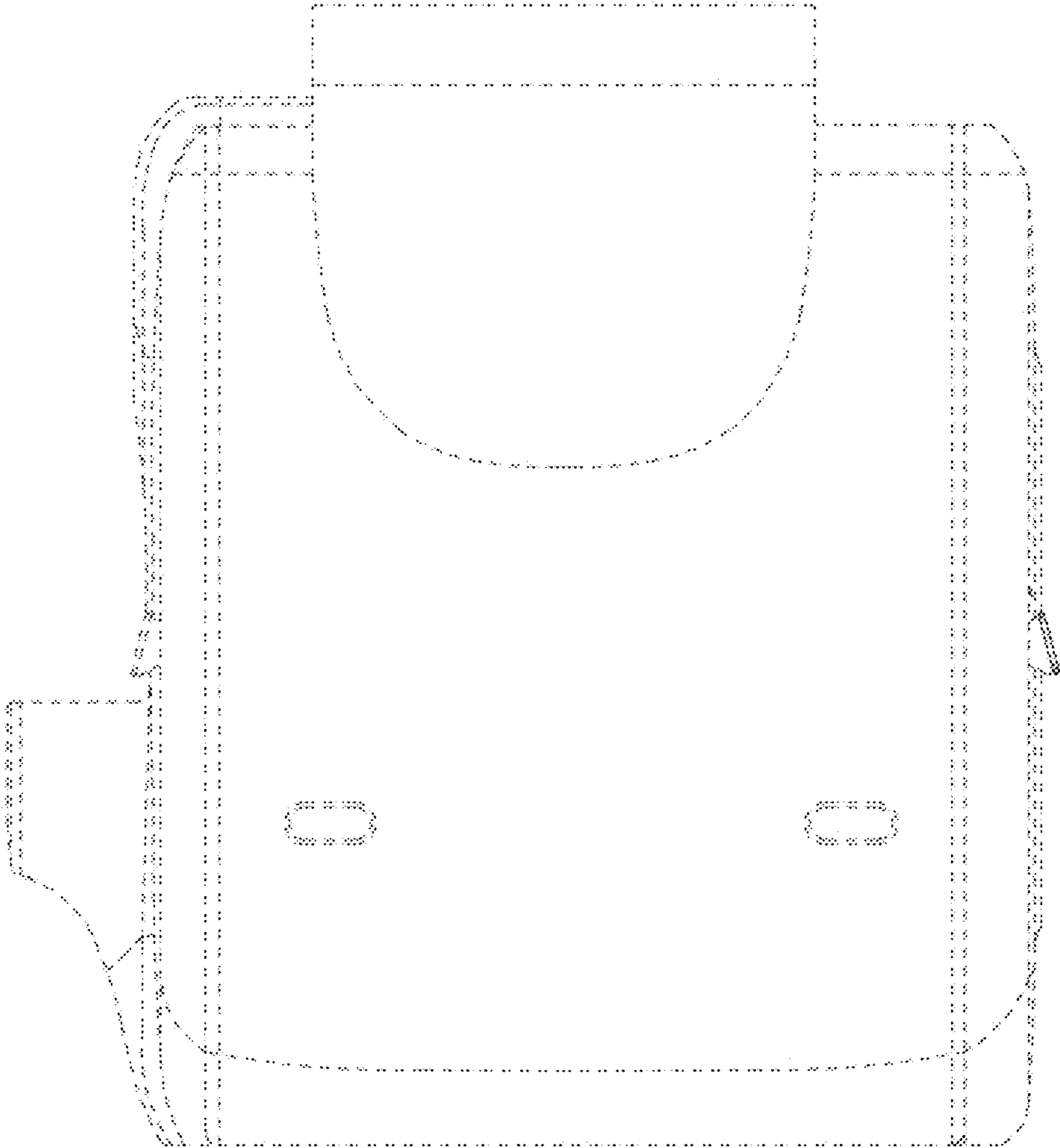


Fig. 5

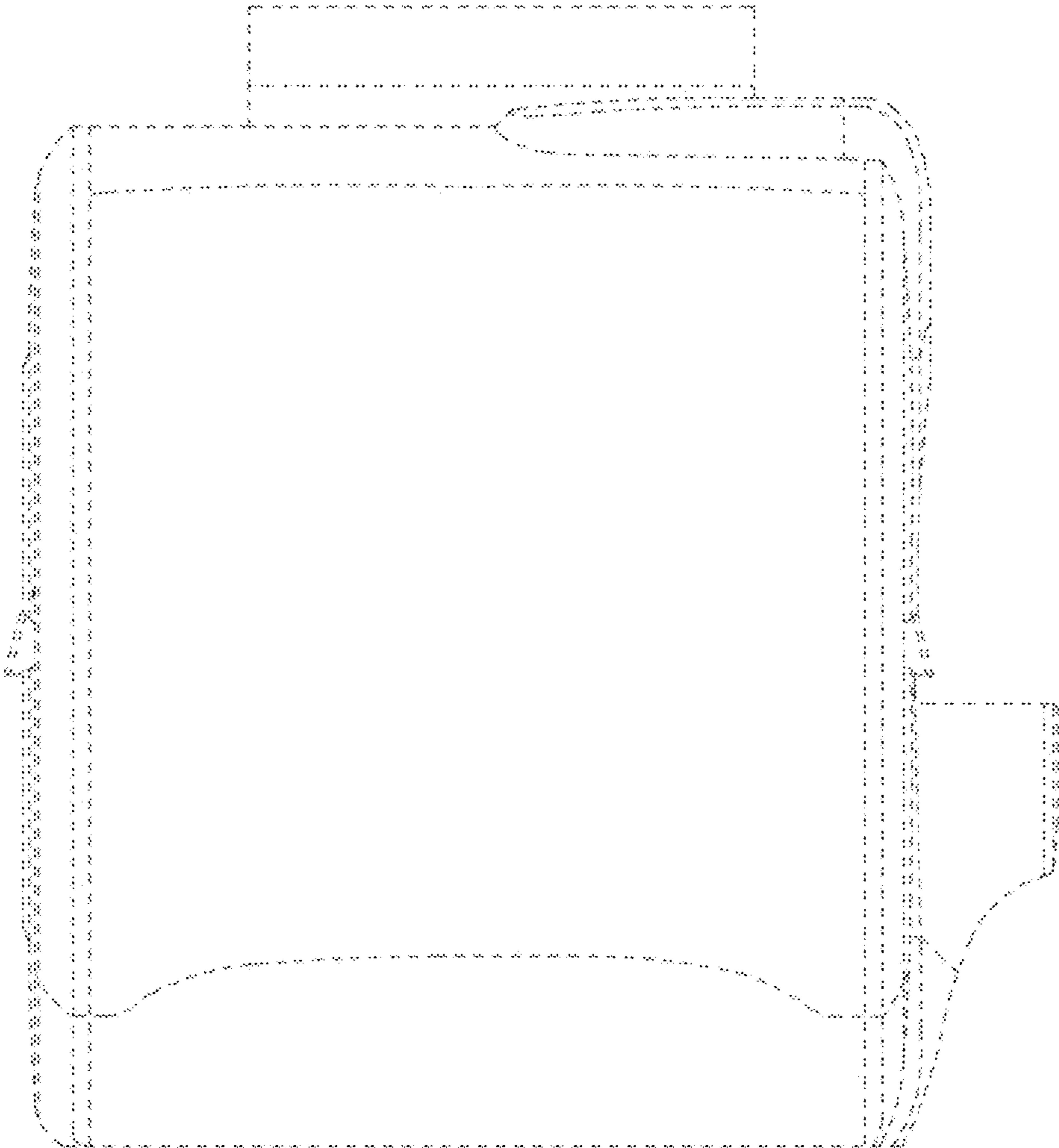


Fig. 6

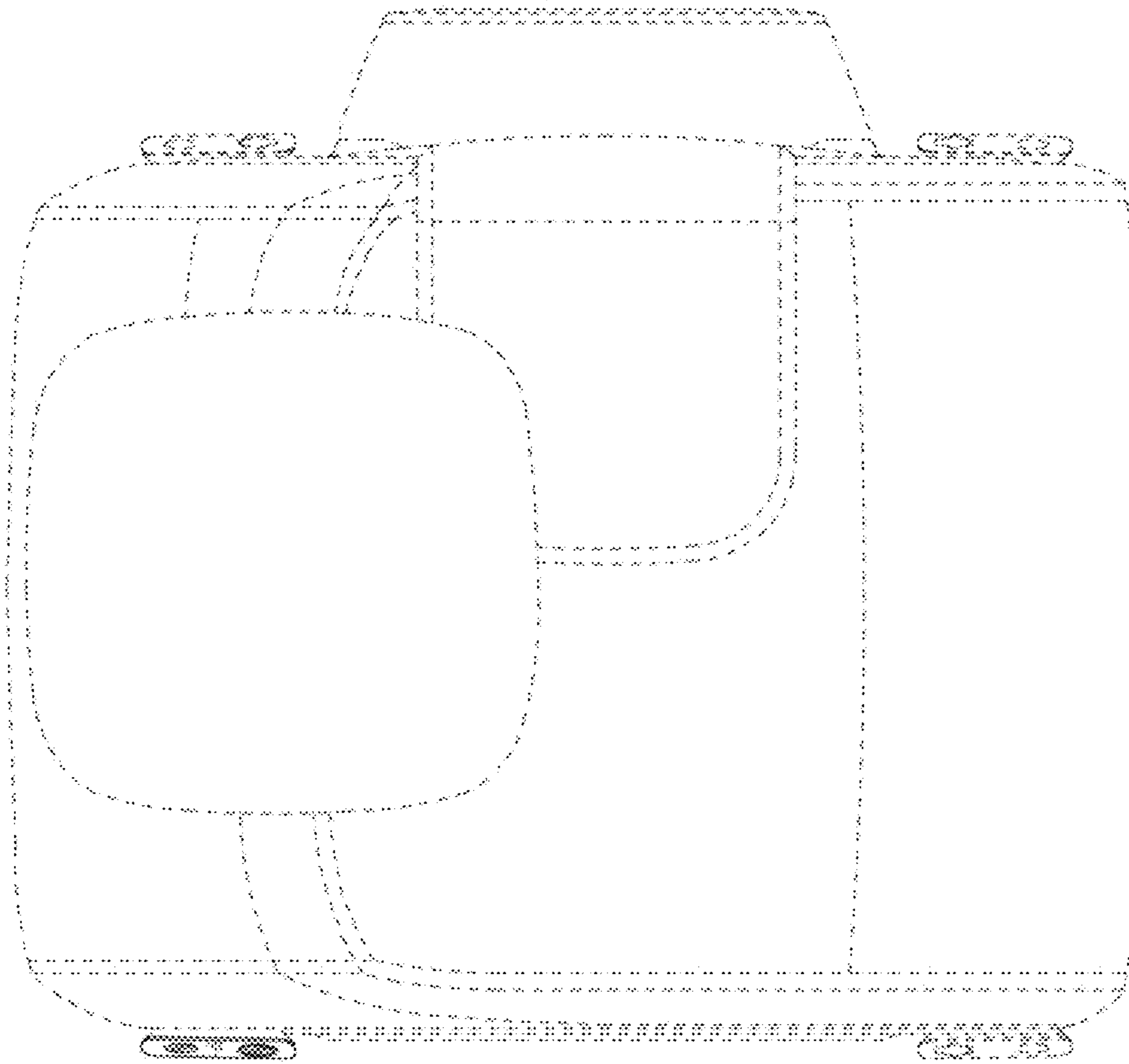


Fig. 7

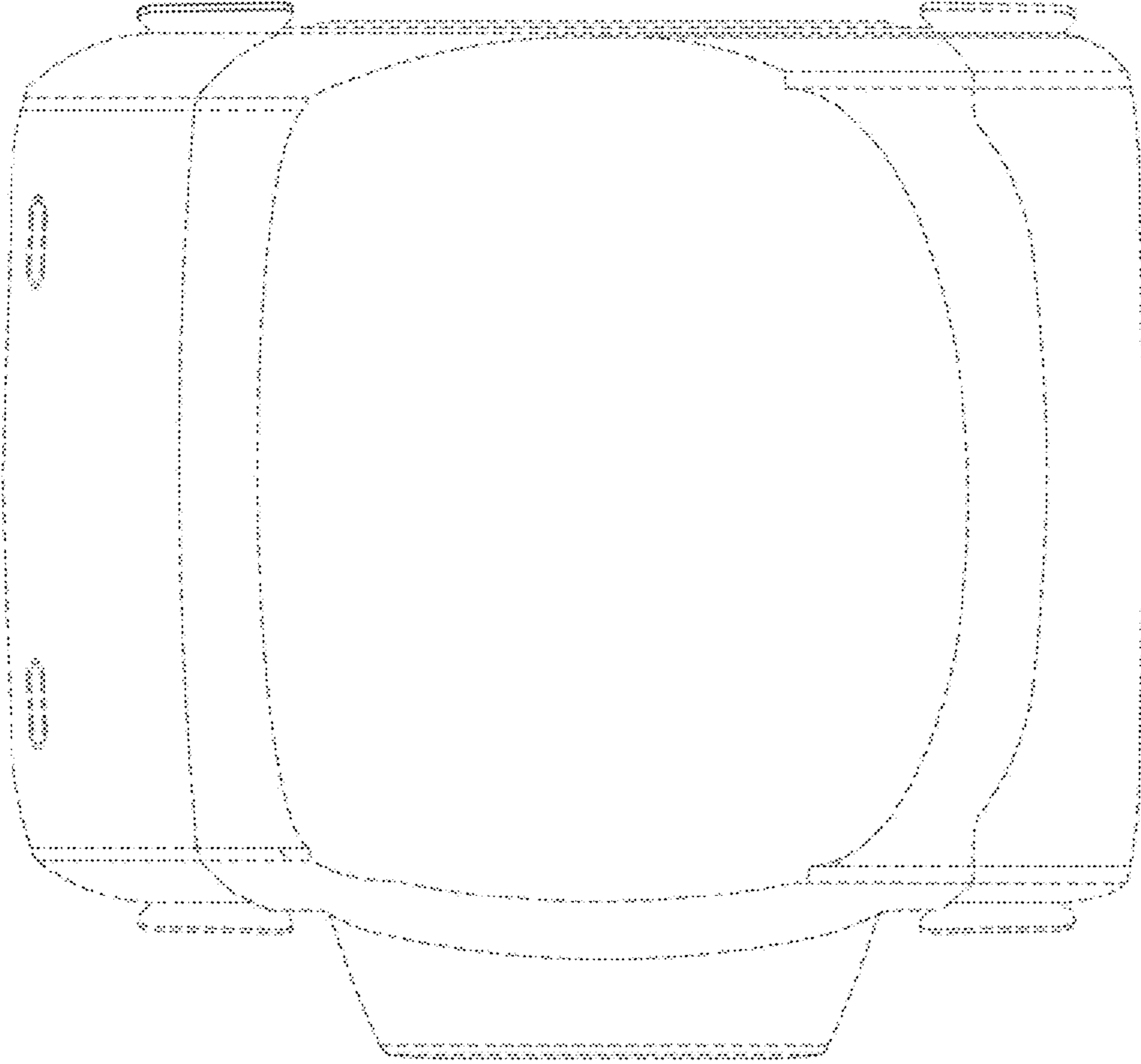




Fig. 8

