

US00D752223S

(12) **United States Design Patent**  
**Park et al.**

(10) **Patent No.:** **US D752,223 S**  
(45) **Date of Patent:** **\*\* Mar. 22, 2016**

(54) **MRI**

(56) **References Cited**

(71) Applicant: **Samsung Electronics Co., Ltd.**,  
Suwon-si (KR)  
(72) Inventors: **Jin Soo Park**, Seoul (KR); **Yeon Moo**  
**Chung**, Seoul (KR)  
(73) Assignee: **Samsung Electronics Co., Ltd.**,  
Suwon-si (KR)

U.S. PATENT DOCUMENTS

D564,096	S	*	3/2008	Banryu	.....	D24/158
D681,207	S	*	4/2013	Ninomiya	.....	D24/158
D681,815	S	*	5/2013	Ninomiya	.....	D24/158
D683,025	S	*	5/2013	Banryu	.....	D24/158
D701,309	S	*	3/2014	Ohmukai	.....	D24/158
D702,352	S	*	4/2014	Yokoyama	.....	D24/158
D714,450	S	*	9/2014	Park	.....	D24/158
D715,945	S	*	10/2014	Zhang	.....	D24/159
D738,505	S	*	9/2015	Eberler	.....	D24/158

(\*\*) Term: **14 Years**

\* cited by examiner

(21) Appl. No.: **29/504,505**

*Primary Examiner* — Anhdao Doan

(22) Filed: **Oct. 7, 2014**

(74) *Attorney, Agent, or Firm* — NSIP Law

(30) **Foreign Application Priority Data**

(57) **CLAIM**

We claim the ornamental design for a MRI, as shown and described.

Apr. 9, 2014 (KR) ..... 30-2014-0017867

(51) **LOC (10) Cl.** ..... **24-01**

(52) **U.S. Cl.**  
USPC ..... **D24/158**

(58) **Field of Classification Search**  
USPC ..... D24/158-161, 185, 186, 107  
CPC ..... A61B 6/06; A61B 6/4405; A61B 6/4411;  
A61B 6/032; A61B 5/055; G01N 2223/1016;  
G01N 2223/301; G01N 23/046; G01N  
2223/031; G01N 2223/419; G01R 33/48  
See application file for complete search history.

**DESCRIPTION**

FIG. 1 is a front perspective view of a MRI showing our new design;  
FIG. 2 is a front view thereof;  
FIG. 3 is a rear view thereof;  
FIG. 4 is a left-side view thereof;  
FIG. 5 is a right-side view thereof;  
FIG. 6 is a top view thereof;  
FIG. 7 is a bottom view thereof; and,  
FIG. 8 is another front perspective view thereof.  
The broken lines in the figures show portions of the MRI which form no part of the claimed design.

**1 Claim, 8 Drawing Sheets**

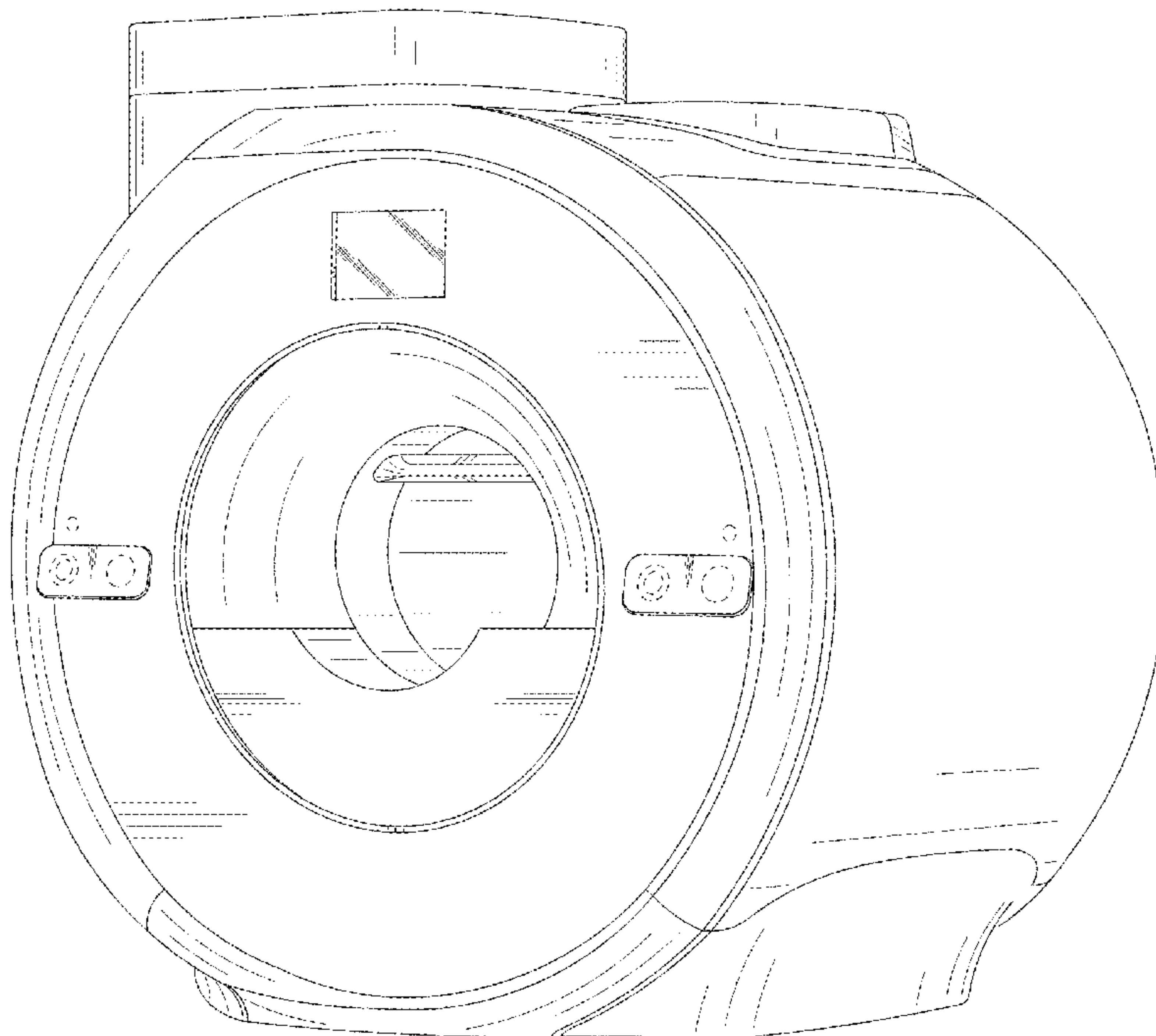


FIG. 1

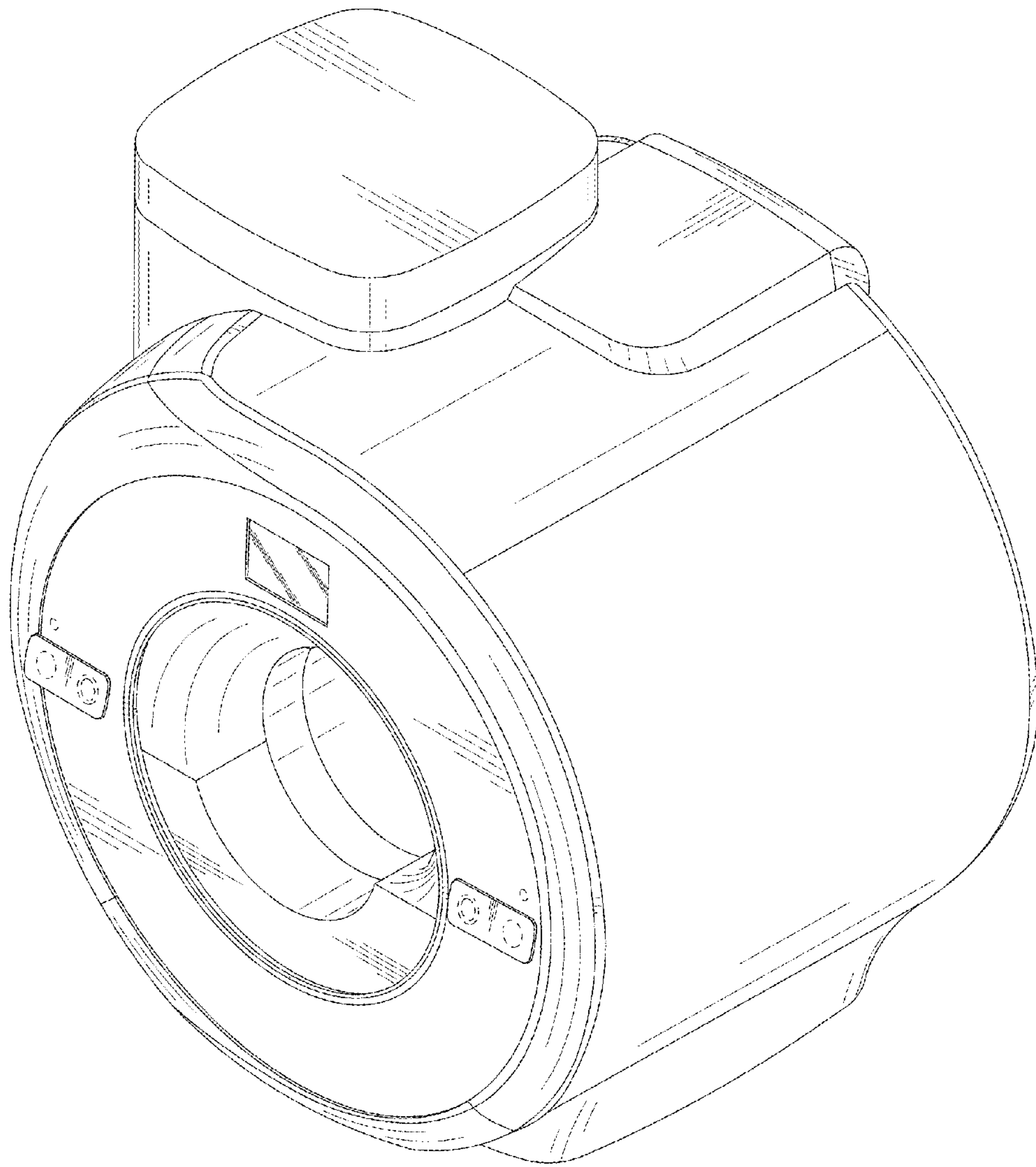


FIG. 2

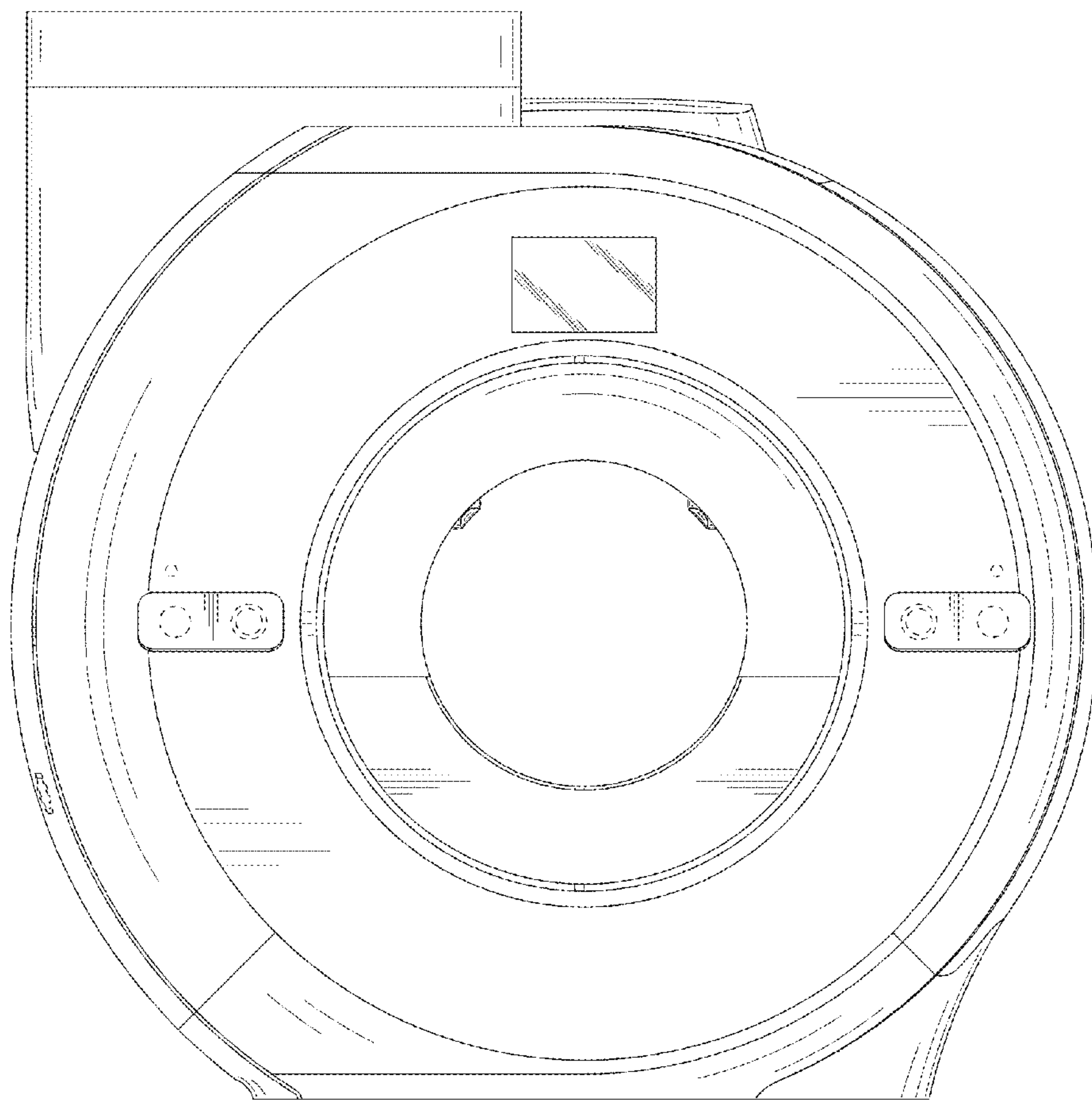


FIG. 3

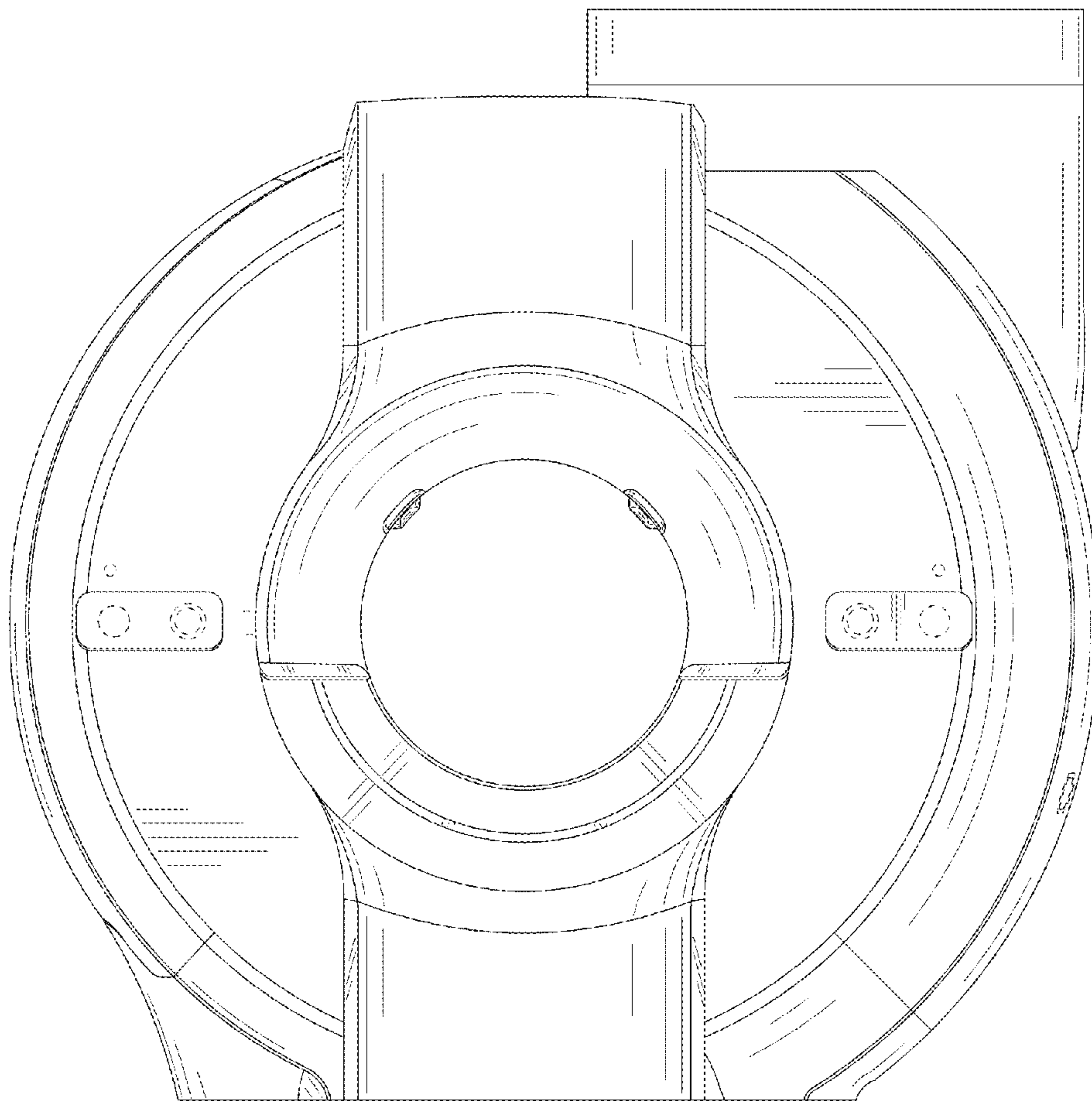


FIG. 4

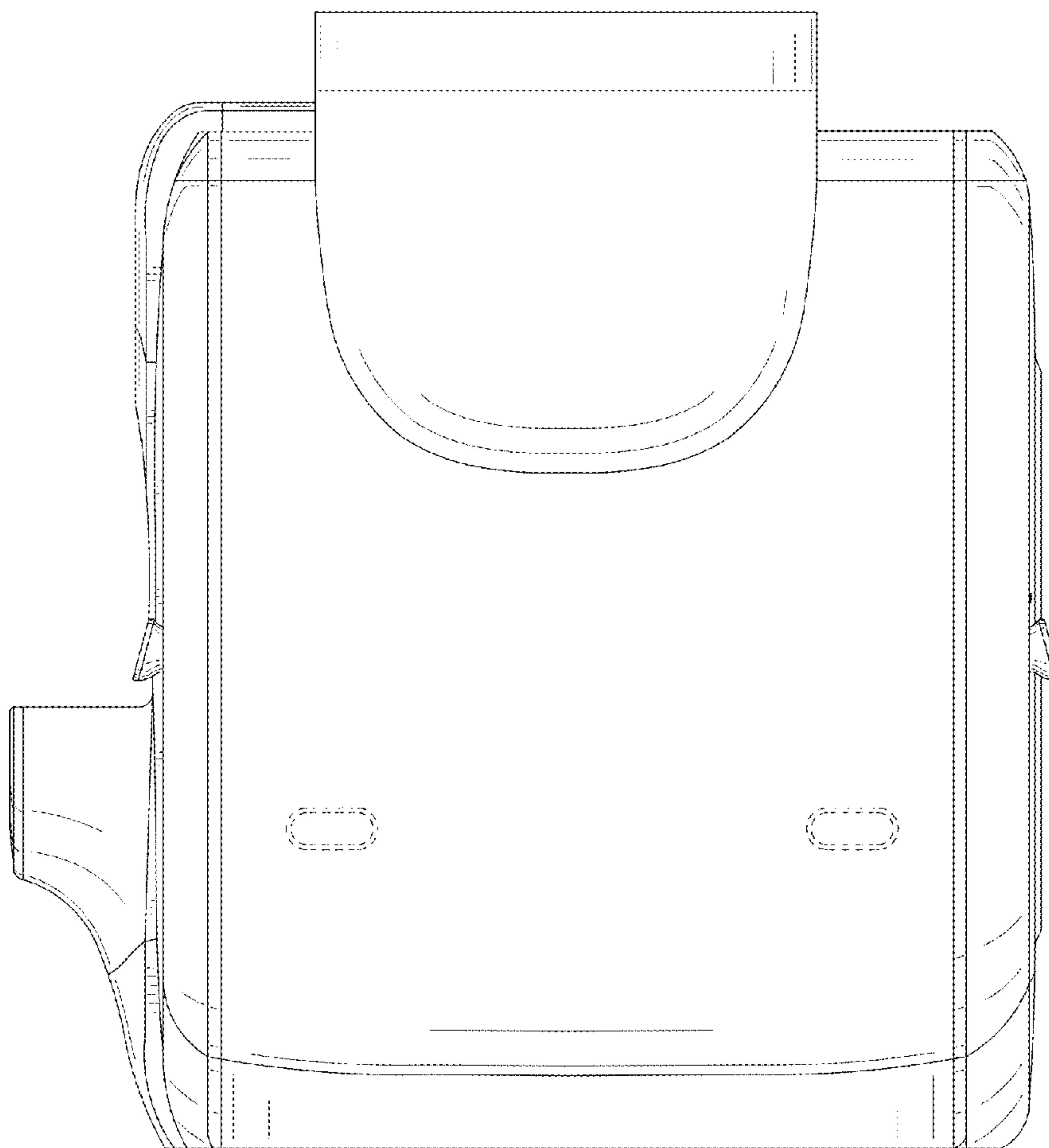




FIG. 5

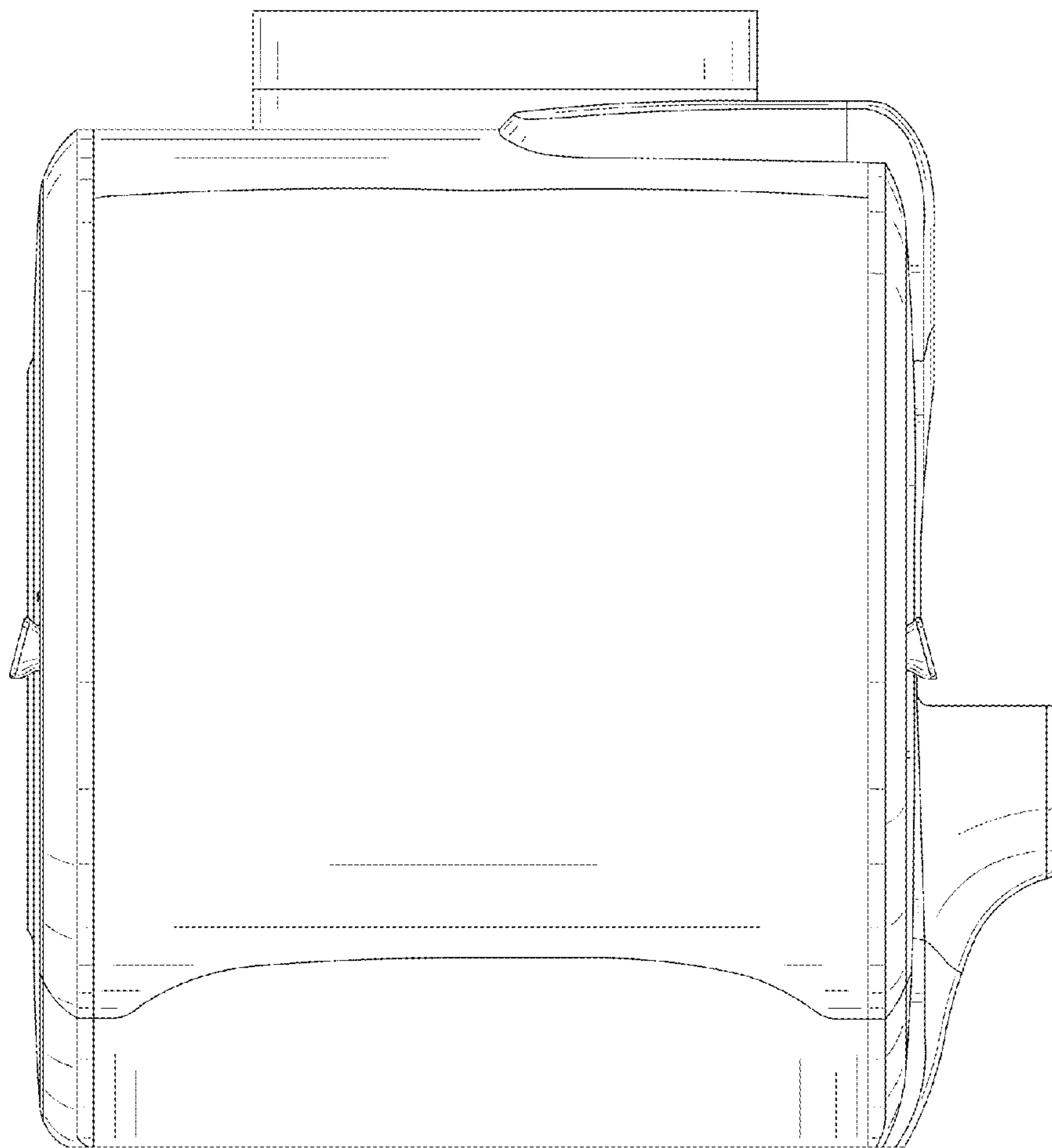


FIG. 6

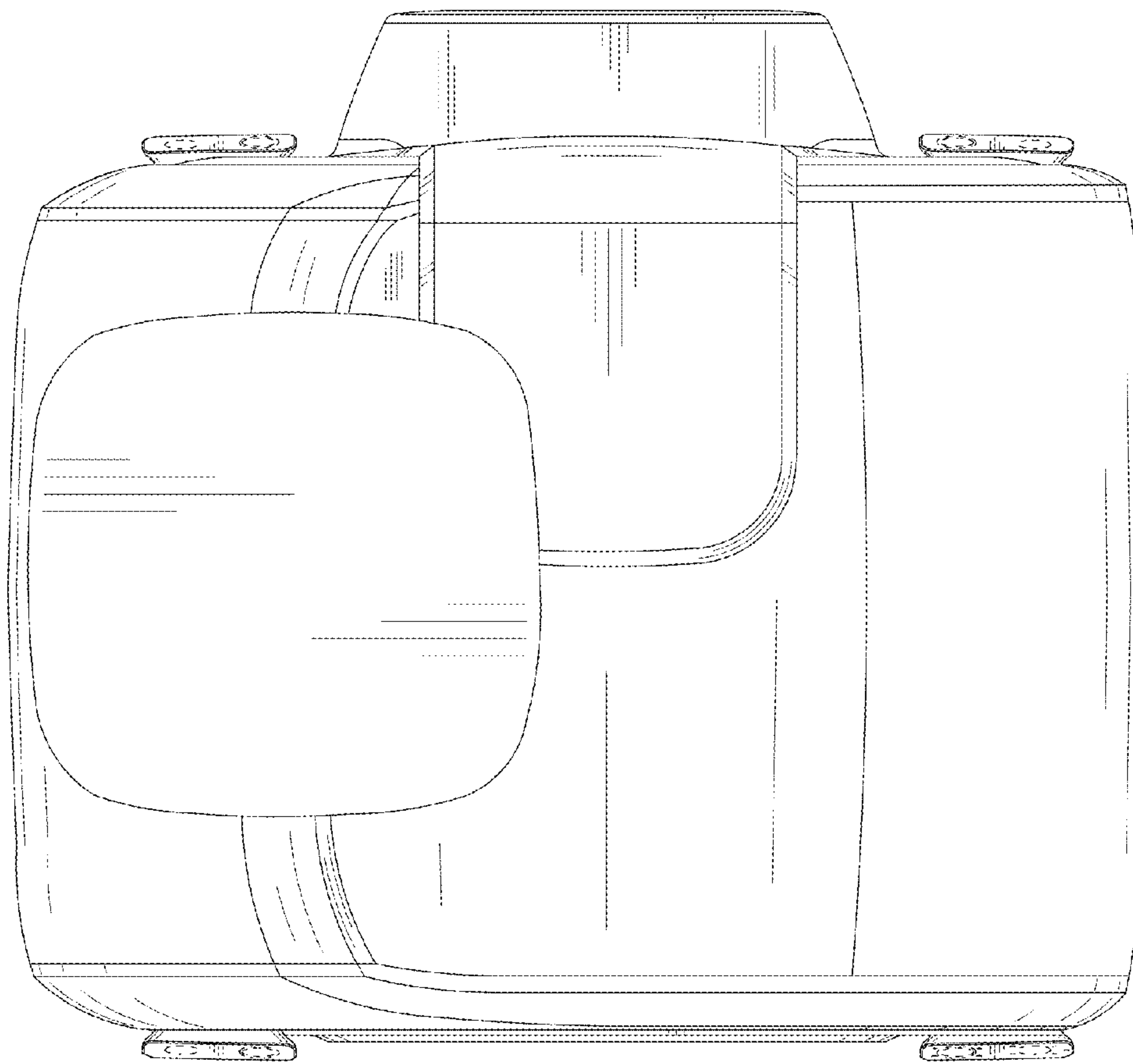


FIG. 7

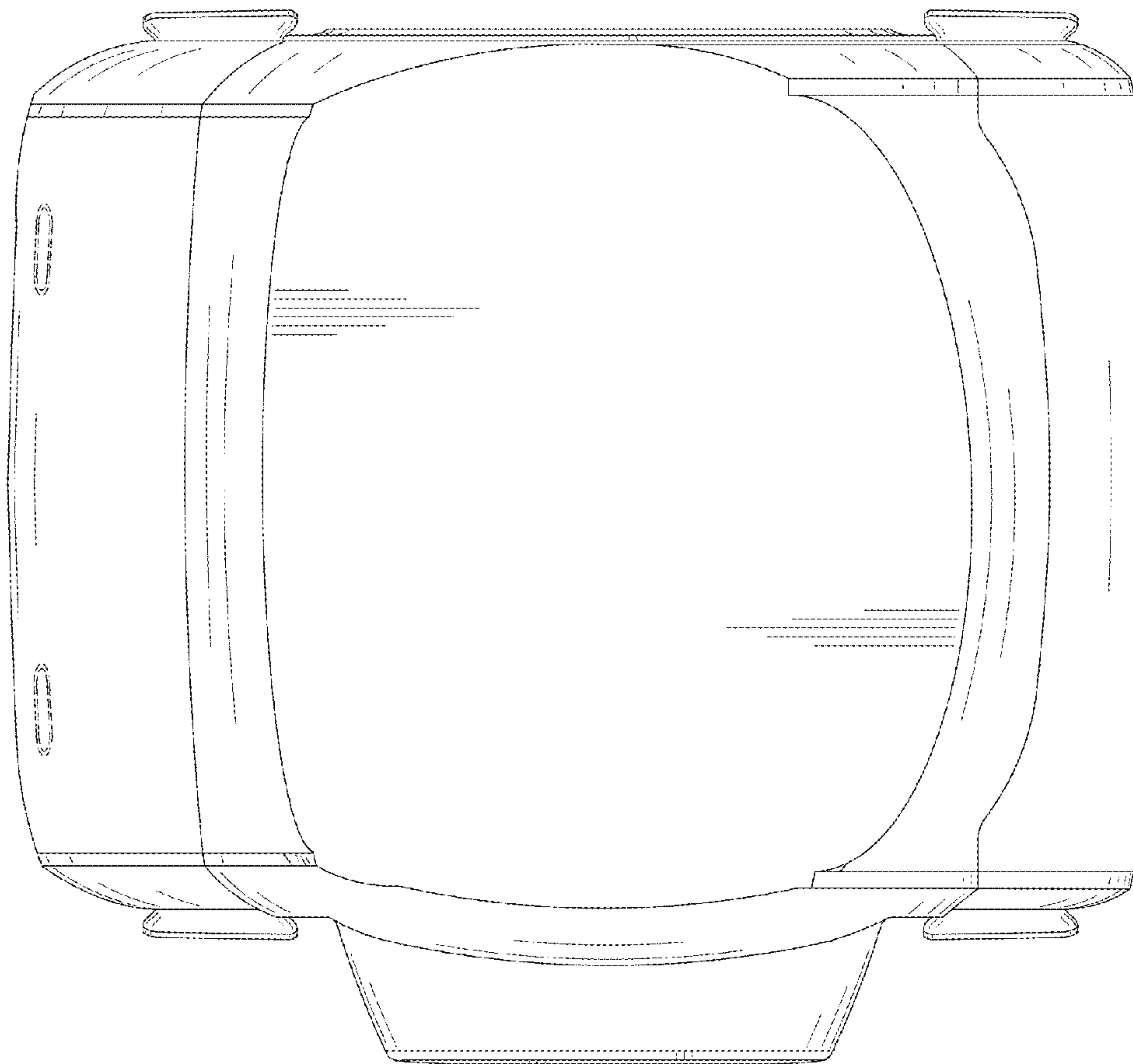




FIG. 8

