



US00D752221S

(12) **United States Design Patent**
Trottier

(10) **Patent No.:** **US D752,221 S**
(45) **Date of Patent:** **** Mar. 22, 2016**

(54) **INTERDENTAL CLEANING APPARATUS**

(71) Applicant: **Joannia M. Trottier**, New Ashford, MA
(US)

(72) Inventor: **Joannia M. Trottier**, New Ashford, MA
(US)

(**) Term: **14 Years**

(21) Appl. No.: **29/484,326**

(22) Filed: **Mar. 7, 2014**

(51) **LOC (10) Cl.** **24-02**

(52) **U.S. Cl.**
USPC **D24/152**

(58) **Field of Classification Search**
USPC D24/152, 156, 146-147, 176, 180;
D28/68, 7; 132/329, 325; 433/3, 40,
433/141-143
CPC A61C 3/00; A61C 15/02; A61C 17/00;
A61C 17/0202; A61C 7/043; A46B 2200/108;
A46B 9/04; A46B 9/005; A46D 1/00
See application file for complete search history.

(56) **References Cited**

U.S. PATENT DOCUMENTS

D245,100 S *	7/1977	Venning	D24/152
D268,697 S *	4/1983	Bukowski	D24/152
5,775,346 A *	7/1998	Szyszkowski	132/329
D426,306 S *	6/2000	Maissami	D24/152
6,082,999 A	7/2000	Tcherny et al.		

(Continued)

Primary Examiner — Wan Laymon

(74) *Attorney, Agent, or Firm* — Heslin Rothenberg Farley
& Mesiti, P.C.

(57) **CLAIM**

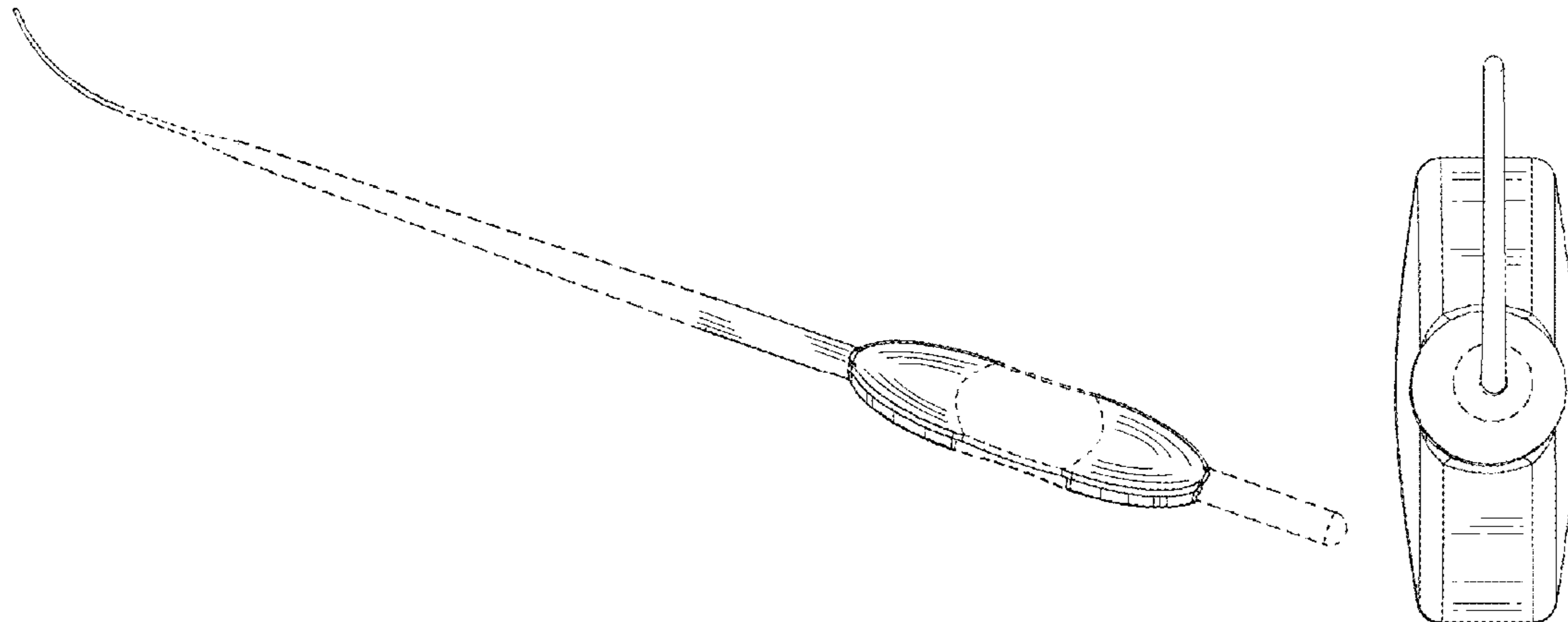
The ornamental design for an interdental cleaning apparatus,
as shown and described.

DESCRIPTION

FIG. 1 is a top perspective view of one embodiment of the interdental cleaning apparatus comprising the new design; FIG. 2 is a top view of the design of FIG. 1; FIG. 3 is a bottom view of the design of FIG. 1; FIG. 4 is a right elevational view of the design of FIG. 1; FIG. 5 is a left elevational view of the design of FIG. 1; FIG. 6 is an enlarged front elevational view of the design of FIG. 1; FIG. 7 is an enlarged rear elevational view of the design of FIG. 1; FIG. 8 is a top perspective view of another embodiment of the interdental cleaning apparatus comprising the new design; FIG. 9 is a top view of the design of FIG. 8; FIG. 10 is a bottom view of the design of FIG. 8; FIG. 11 is a right elevational view of the design of FIG. 8; FIG. 12 is a left elevational view of the design of FIG. 8; FIG. 13 is an enlarged front elevational view of the design of FIG. 8; FIG. 14 is an enlarged rear elevational view of the design of FIG. 8; FIG. 15 is a top perspective view of another embodiment of the interdental cleaning apparatus comprising the new design; FIG. 16 is a top view of the design of FIG. 15; FIG. 17 is a bottom view of the design of FIG. 15; FIG. 18 is a right elevational view of the design of FIG. 15; FIG. 19 is a left elevational view of the design of FIG. 15; FIG. 20 is an enlarged front elevational view of the design of FIG. 15; and, FIG. 21 is an enlarged rear elevational view of the design of FIG. 15.

The broken lines showing portions of the interdental cleaning apparatus are for the purpose of illustrating environmental structure and form no part of the claimed design.

1 Claim, 12 Drawing Sheets



(56)

References Cited

U.S. PATENT DOCUMENTS

6,085,761 A 7/2000 Inaba
6,158,444 A 12/2000 Weihrauch
D436,174 S * 1/2001 Komamura D24/152
6,325,626 B1 12/2001 Blass
D461,894 S * 8/2002 Jansheski, Jr. D24/152
6,767,209 B1 7/2004 Tomita et al.
D594,984 S * 6/2009 Crossman D24/152
8,245,717 B2 8/2012 Izmaylov

D674,610 S 1/2013 Eatherton
8,528,147 B2 9/2013 Larsson et al.
8,813,763 B2 * 8/2014 Lee 132/325
2010/0024839 A1 2/2010 Kalbfeld et al.
2010/0050358 A1 3/2010 Kim
2011/0041271 A1 2/2011 Huang
2011/0099735 A1 5/2011 Stadeker
2011/0269278 A1 11/2011 Hoentschel et al.

* cited by examiner

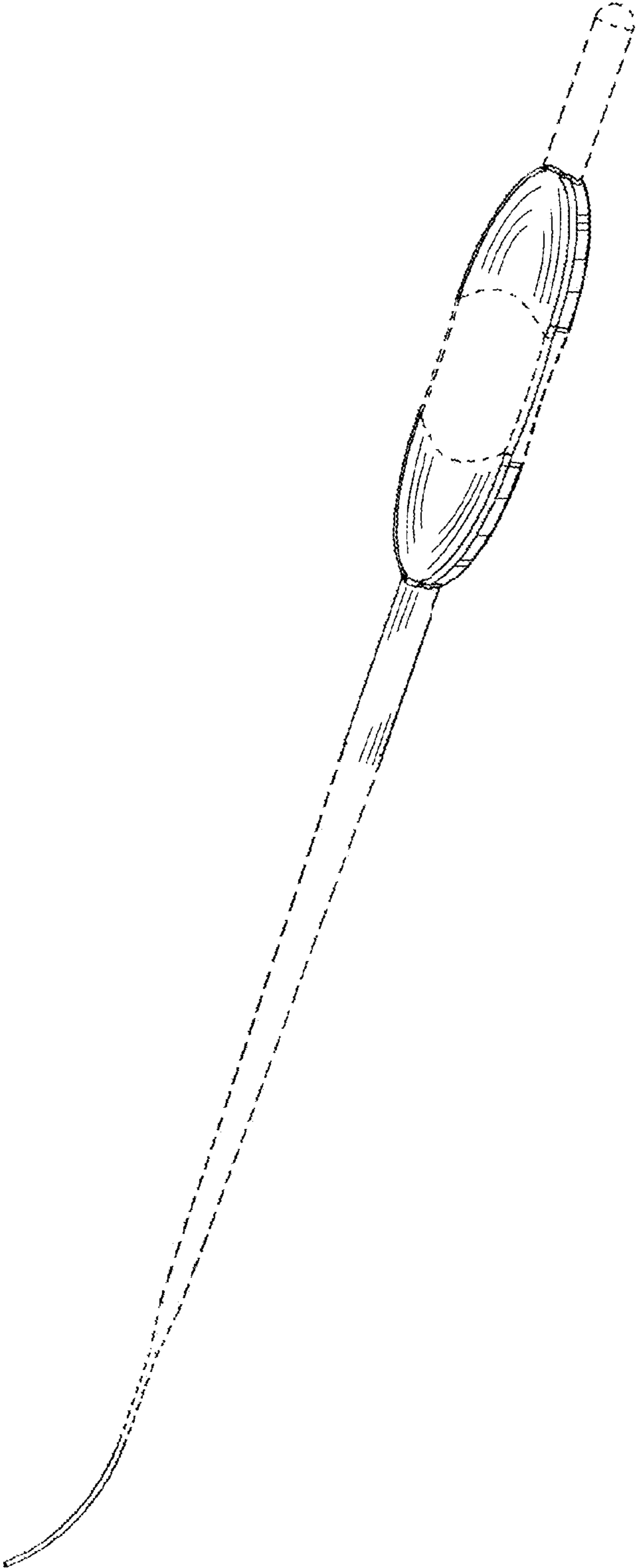


FIG. 1

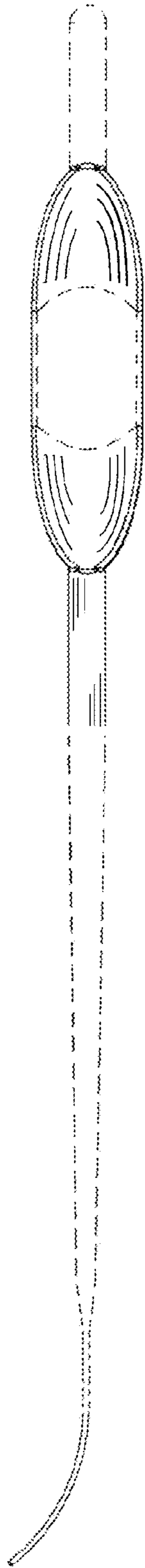


FIG. 2

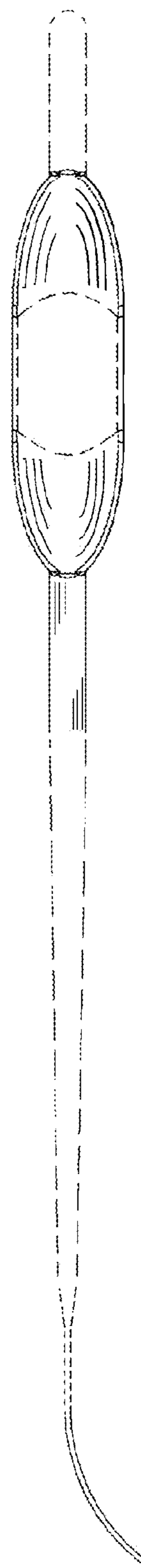


FIG. 3

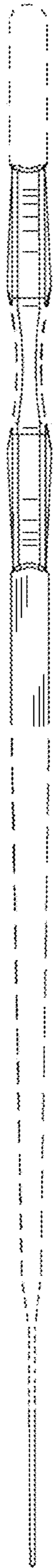


FIG. 4

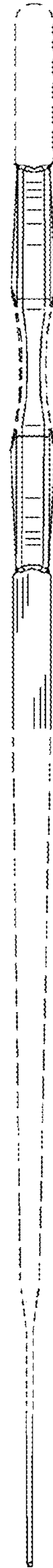


FIG. 5

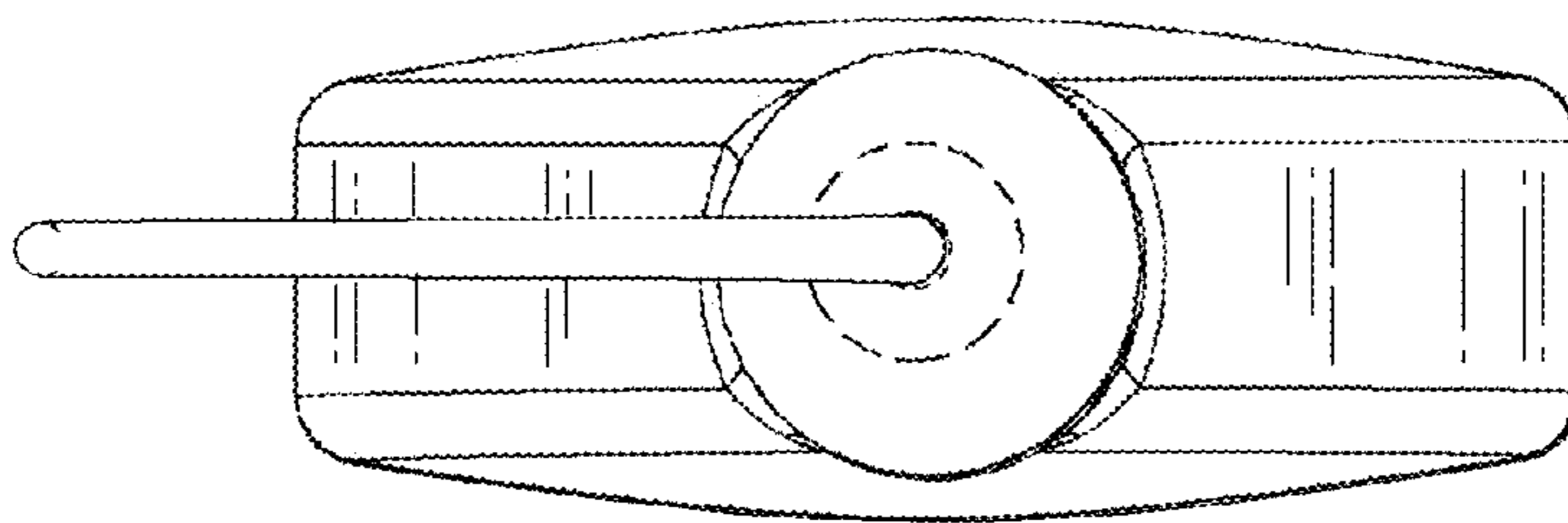


FIG. 6

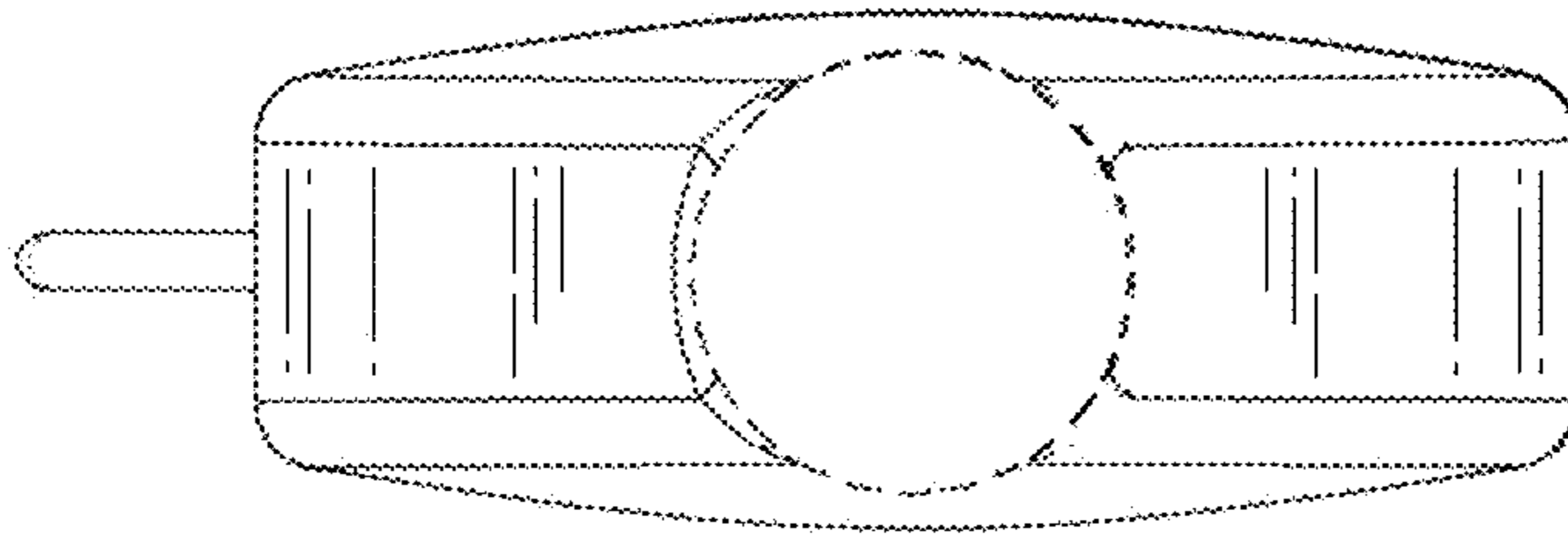


FIG. 7

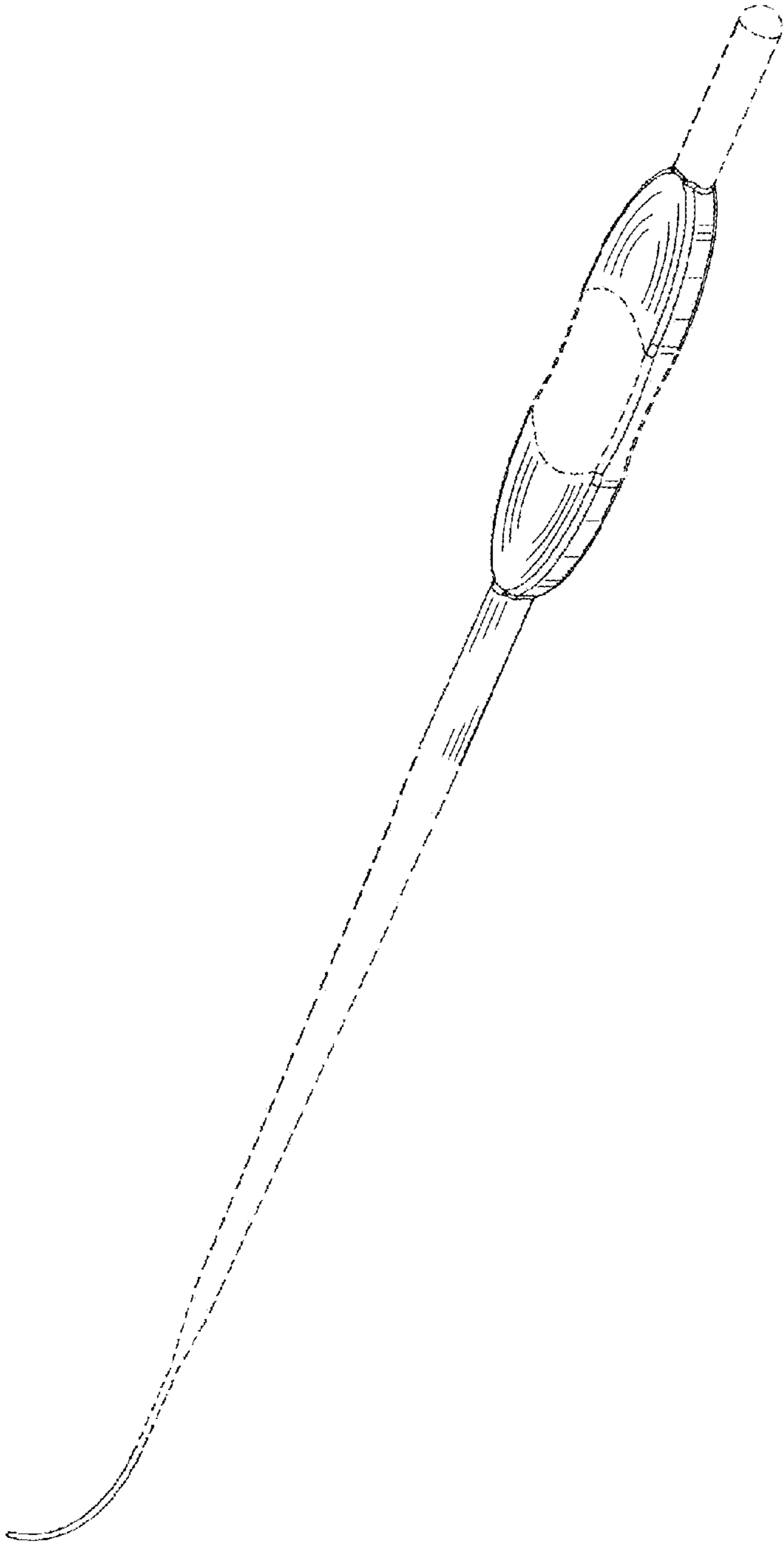


FIG. 8

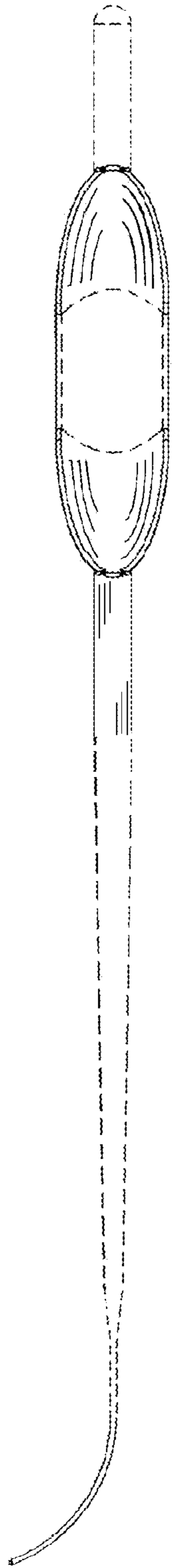


FIG. 9

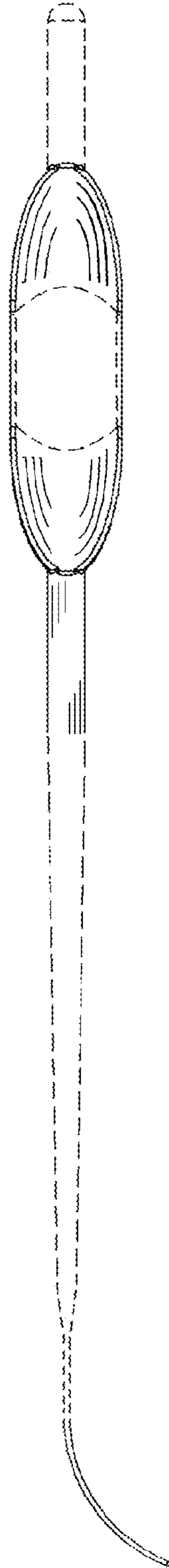


FIG. 10



FIG. 11

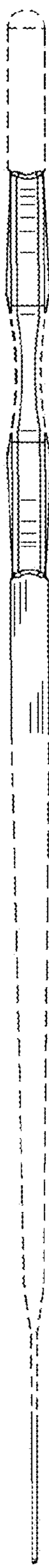


FIG. 12

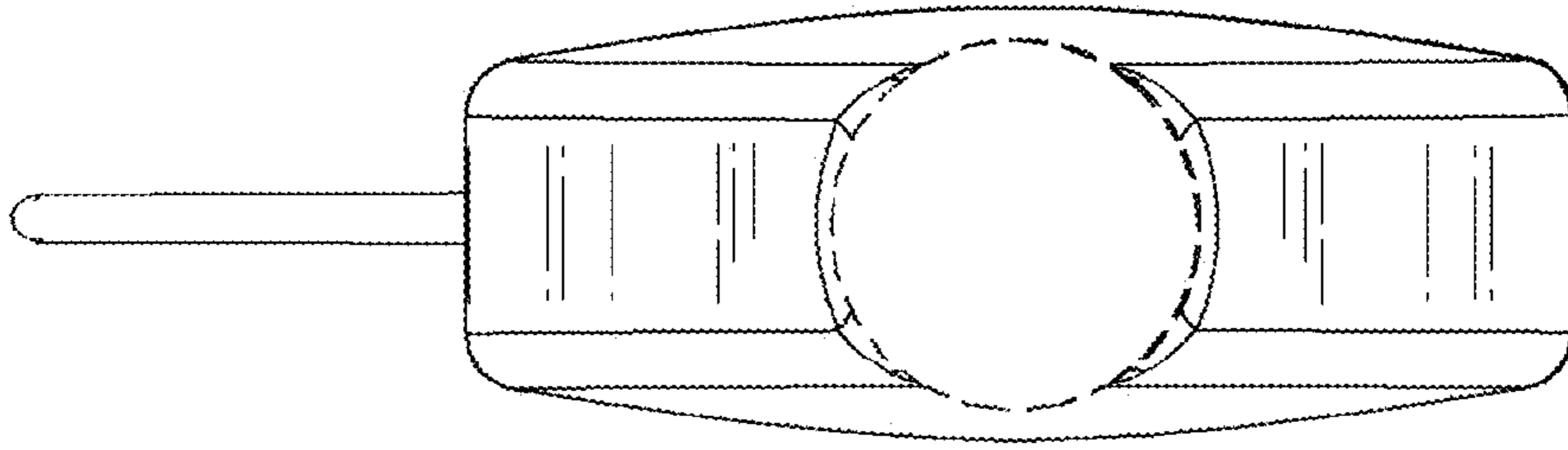


FIG. 14

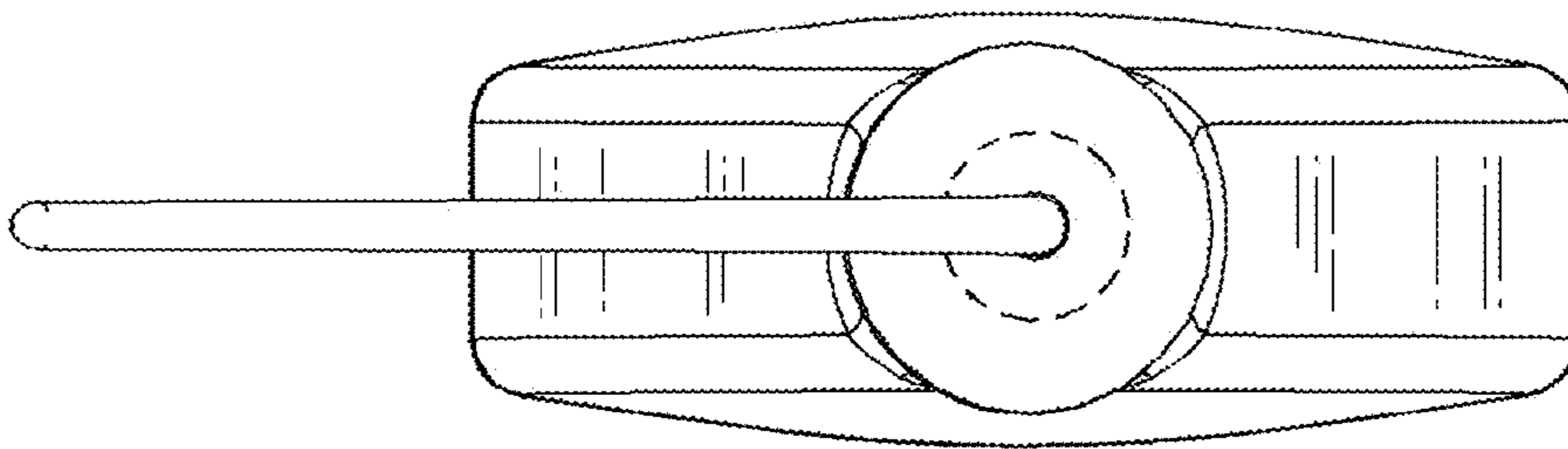


FIG. 13

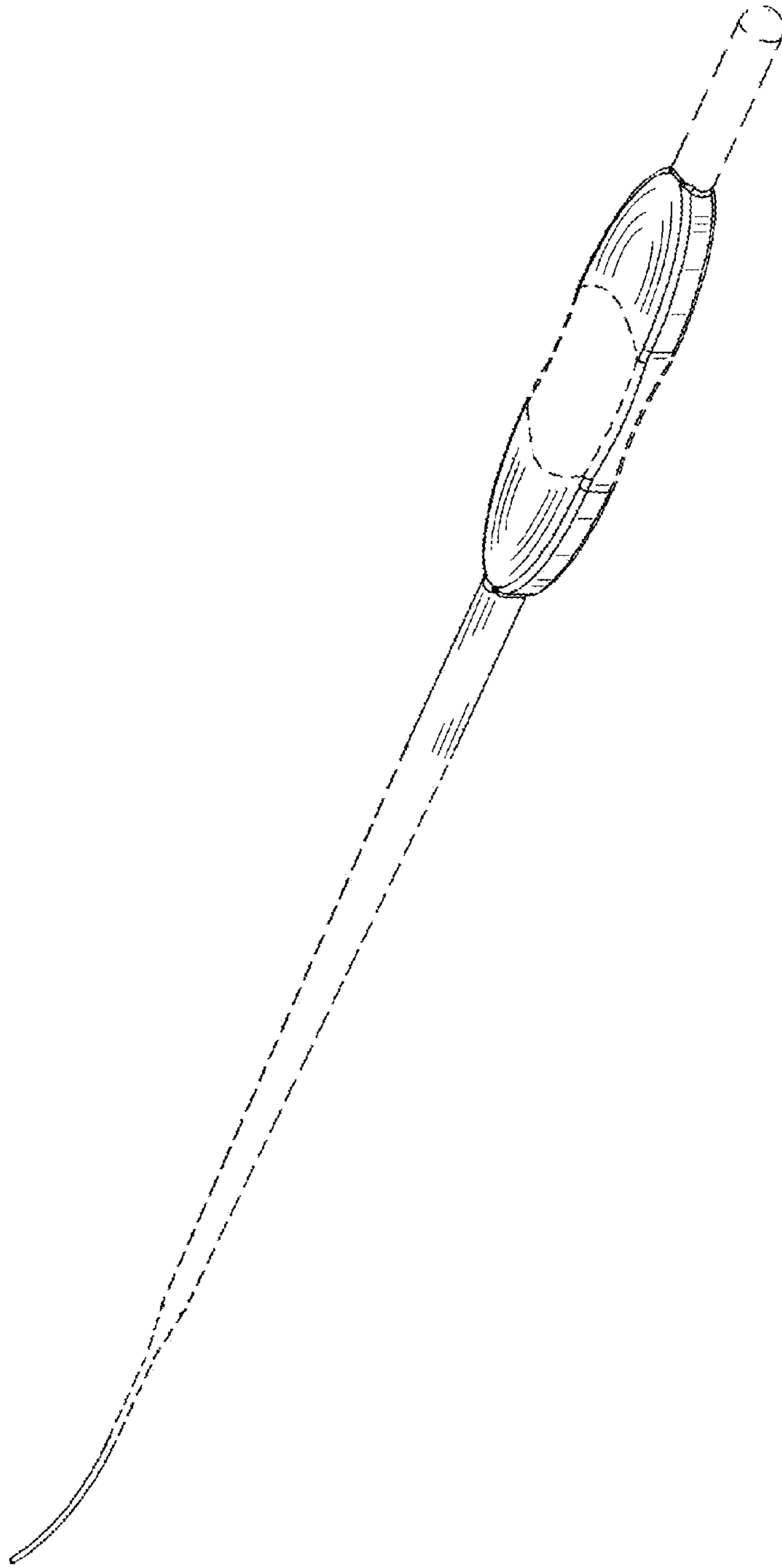


FIG. 15

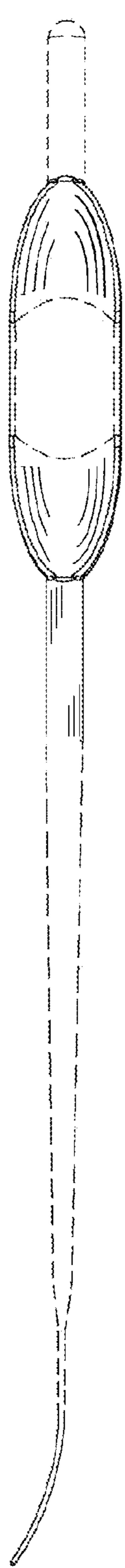


FIG. 16

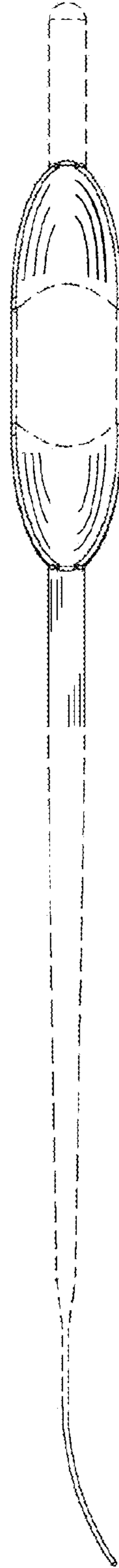


FIG. 17



FIG. 18



FIG. 19

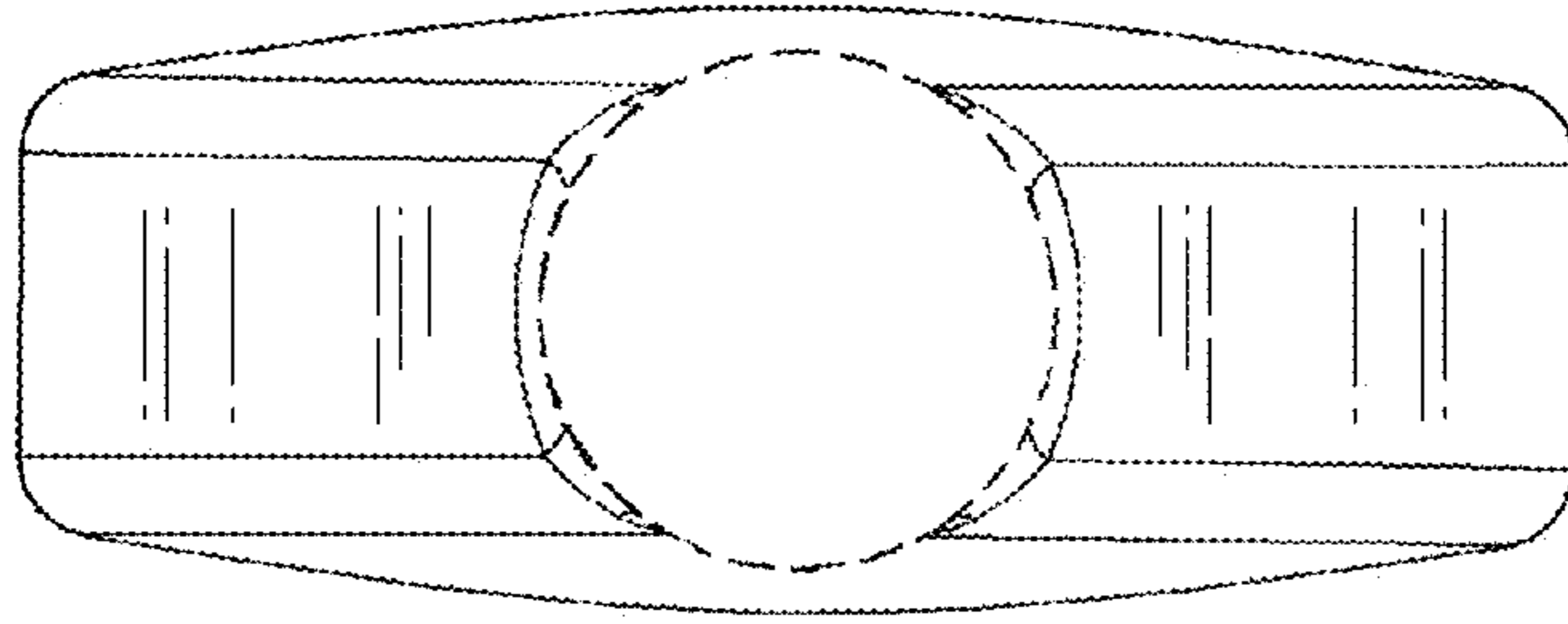


FIG. 21

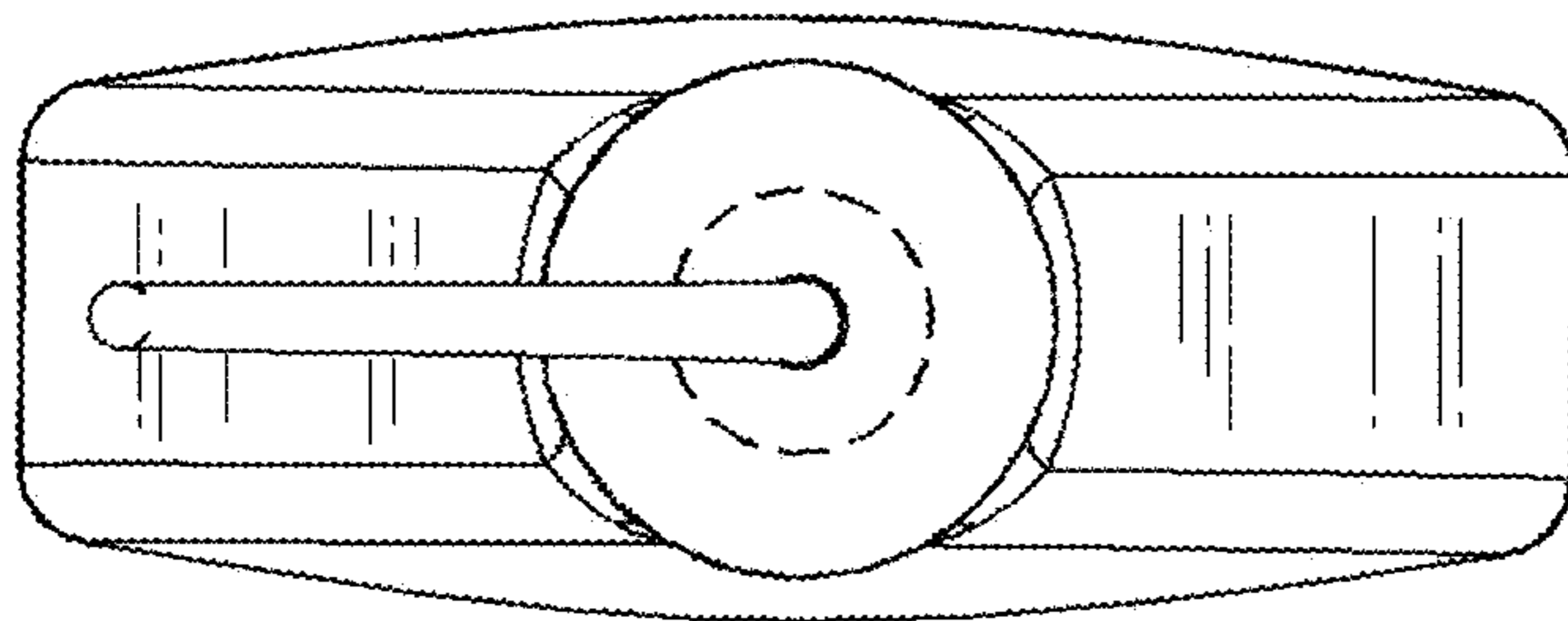


FIG. 20