



US00D752218S

(12) **United States Design Patent**
Murthy

(10) **Patent No.:** **US D752,218 S**
(45) **Date of Patent:** **** Mar. 22, 2016**

(54) **OPHTHALMIC SPECULUM**

(71) Applicant: **Raghu Murthy**, San Marino, CA (US)

(72) Inventor: **Raghu Murthy**, San Marino, CA (US)

(73) Assignee: **Raghu Murthy**, San Marino, CA (US)

(**) Term: **14 Years**

(21) Appl. No.: **29/517,877**

(22) Filed: **Feb. 18, 2015**

(51) **LOC (10) Cl.** **24-02**

(52) **U.S. Cl.**
USPC **D24/135**

(58) **Field of Classification Search**
USPC D24/135, 137, 152; 433/140; 600/208,
600/210, 233, 236, 235, 237, 238, 242;
604/294; 606/107; D19/196; D8/349,
D8/370
CPC A61B 17/0231; A61B 1/32; A61B 19/08;
A61F 9/007; A61F 9/0017; A61F 9/04
See application file for complete search history.

(56) **References Cited**

U.S. PATENT DOCUMENTS

D500,360 S * 12/2004 Sinding D24/135
7,985,180 B2 * 7/2011 Brown A61B 1/32
600/235
8,083,751 B2 * 12/2011 Olsen A61B 17/0231
600/236

2004/0204727 A1* 10/2004 Olsen A61B 17/0231
606/166
2008/0108879 A1* 5/2008 Brown A61B 17/0231
600/236
2011/0275903 A1* 11/2011 Shelton A61B 17/0231
600/236

* cited by examiner

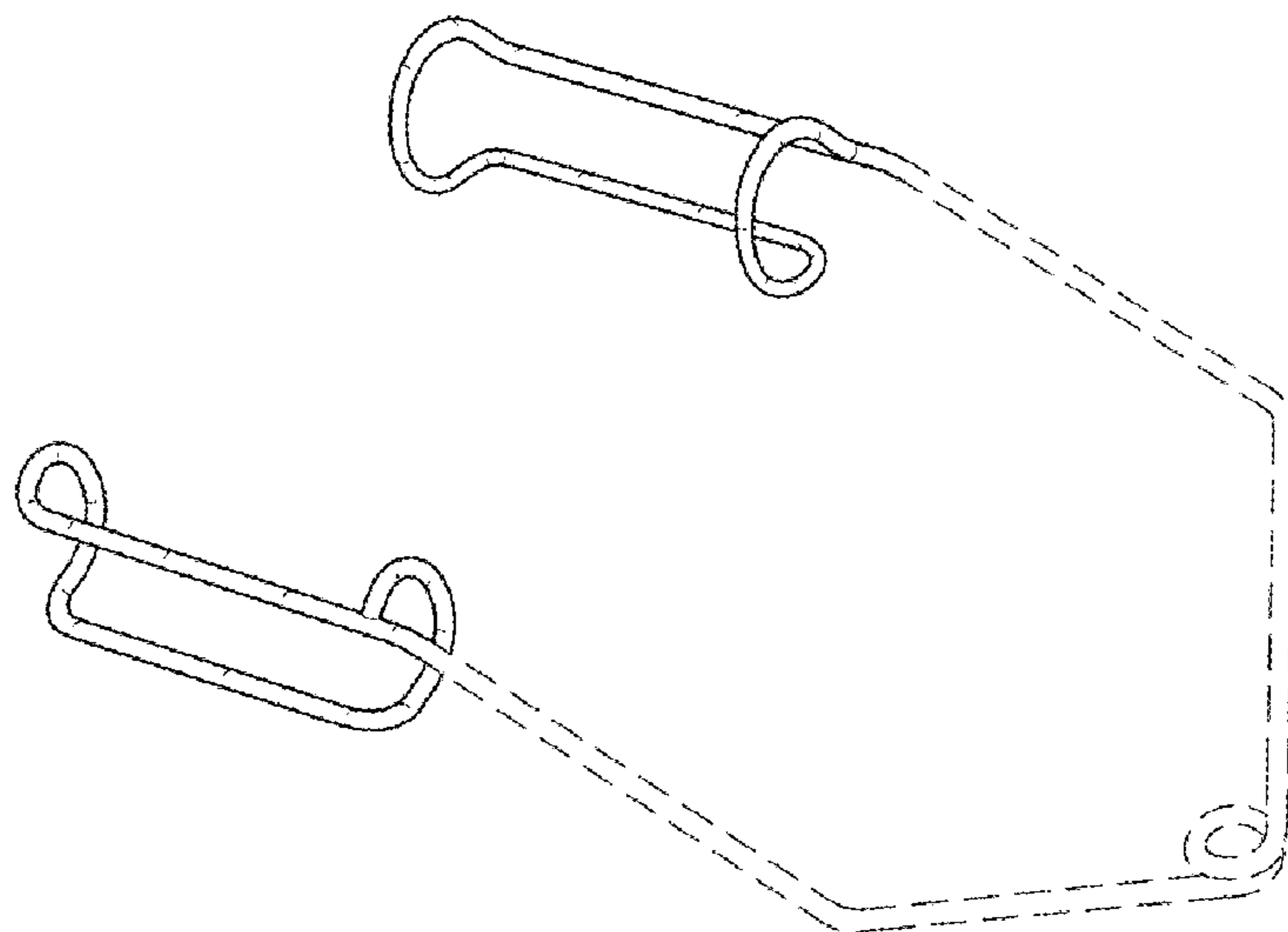
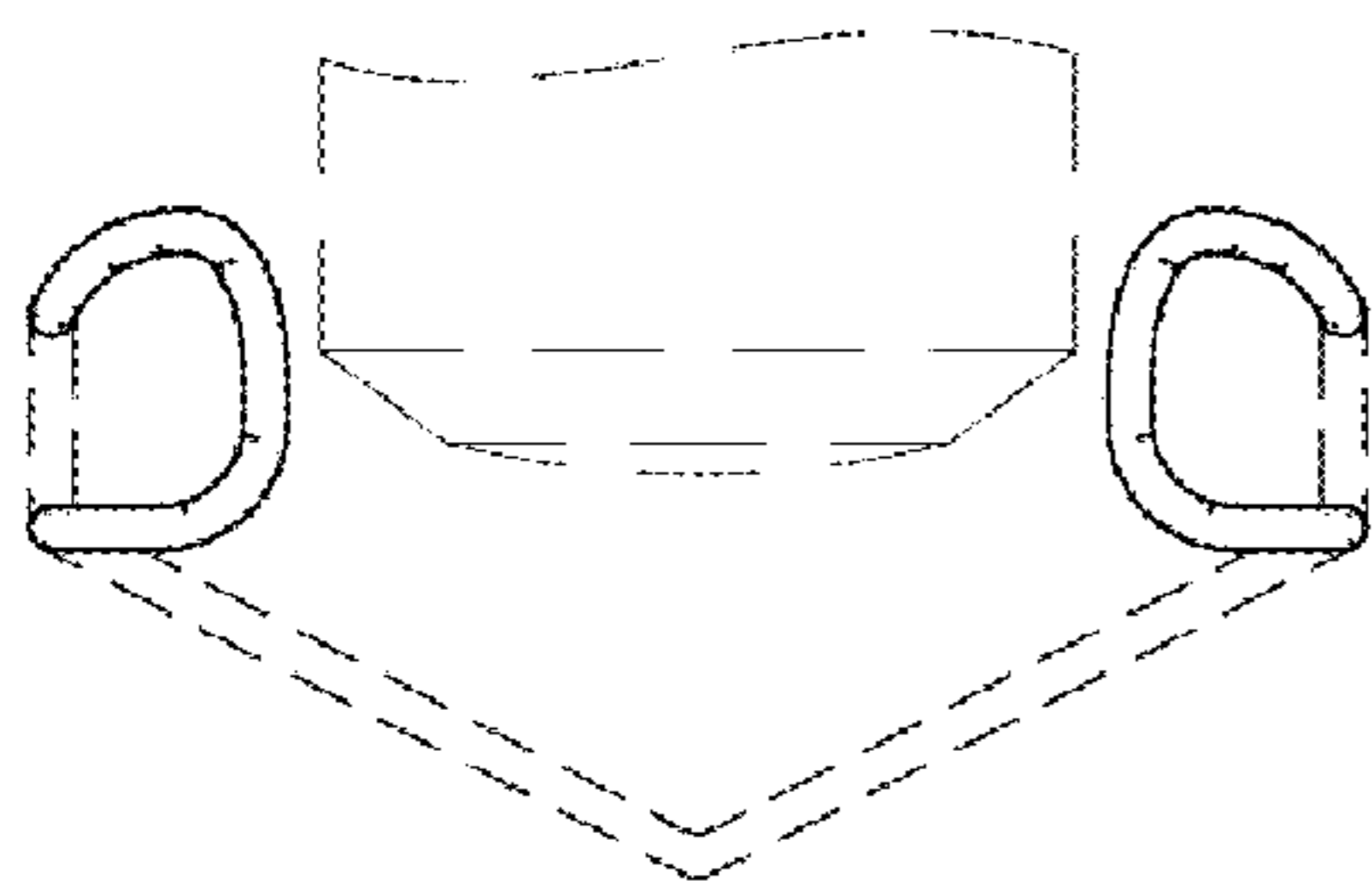
Primary Examiner — Wan Laymon
Assistant Examiner — Mark Booker

(57) **CLAIM**
The ornamental design for an ophthalmic speculum, as shown and described.

DESCRIPTION

FIG. 1 is a front view of the ophthalmic speculum of the present invention, showing a lens probe disposed at the ophthalmic speculum;
FIG. 2 is a rear view of the ophthalmic speculum, showing a lens probe disposed at the ophthalmic speculum;
FIG. 3 is a left view of the ophthalmic speculum, showing a lens probe disposed at the ophthalmic speculum;
FIG. 4 is a right view of the ophthalmic speculum, showing a lens probe disposed at the ophthalmic speculum;
FIG. 5 is a top view of the ophthalmic speculum, showing a lens probe disposed at the ophthalmic speculum;
FIG. 6 is a bottom view of the ophthalmic speculum, showing a lens probe disposed at the ophthalmic speculum;
FIG. 7 is a perspective view of the ophthalmic speculum; and, FIG. 8 is a perspective view of the ophthalmic speculum, showing an alternative modification of the resilient mechanism of the ophthalmic speculum.
The broken lines illustrate unclaimed portions and form no part of the claimed design.

1 Claim, 4 Drawing Sheets



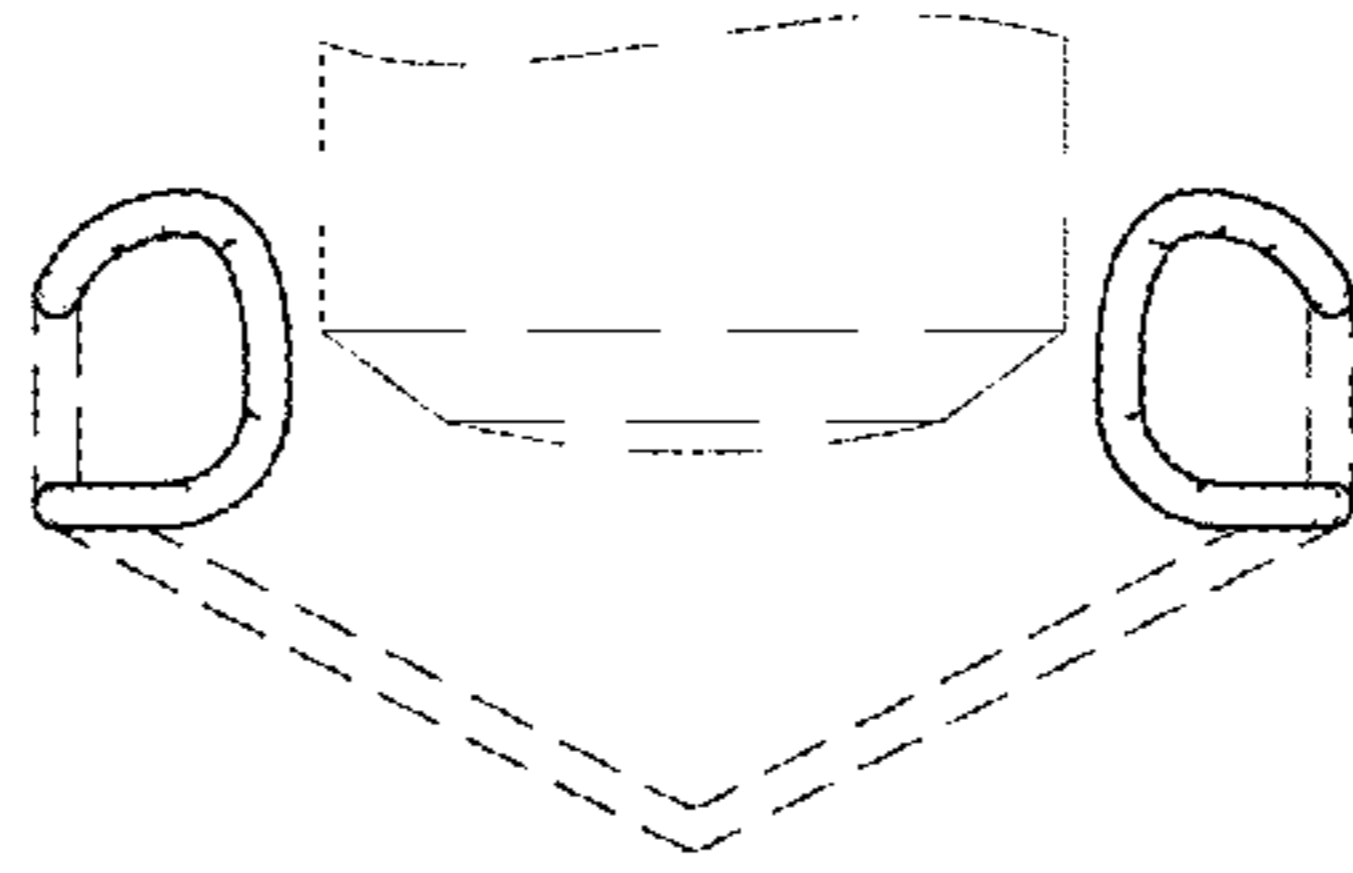


FIG.1

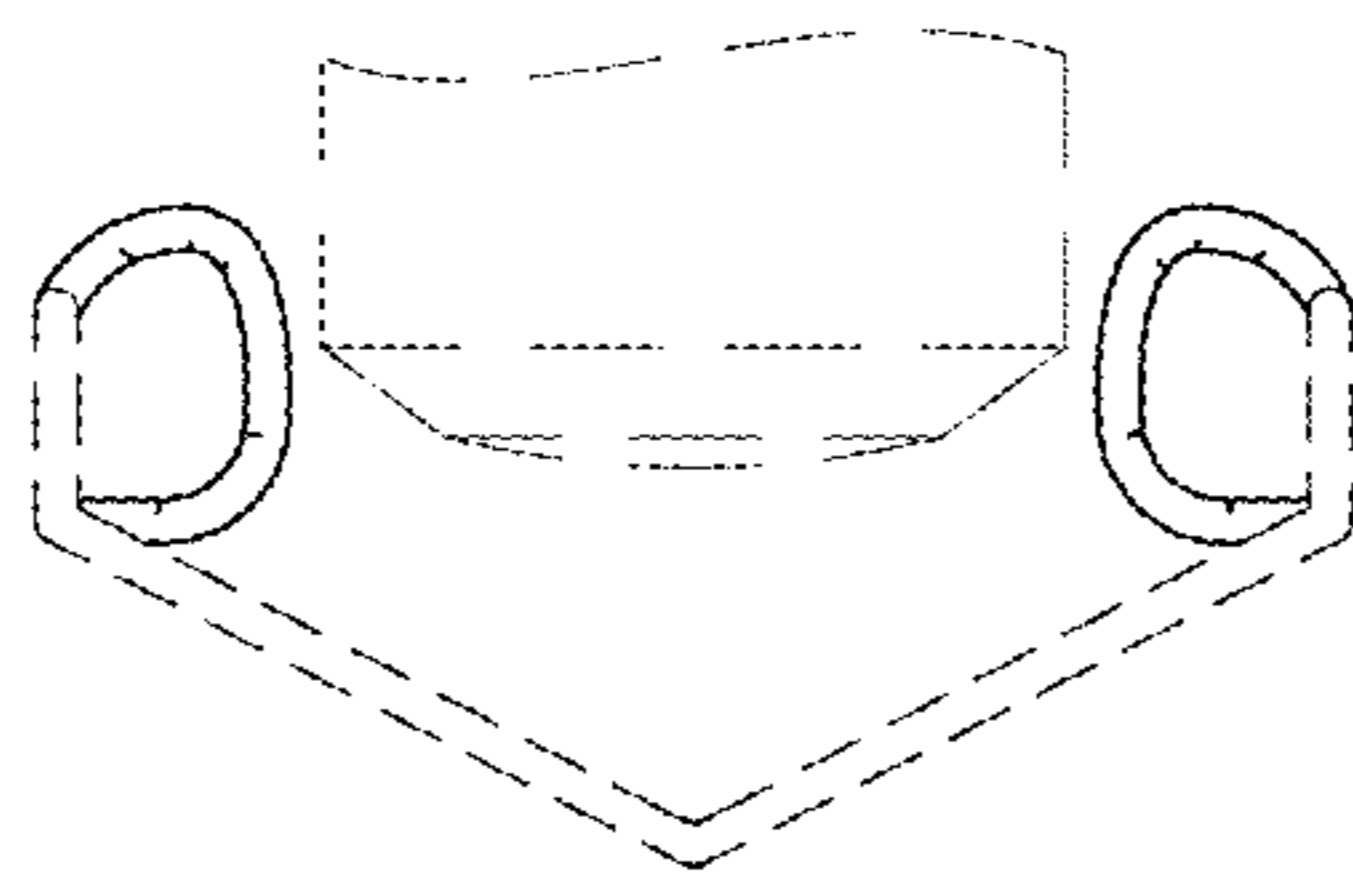


FIG.2

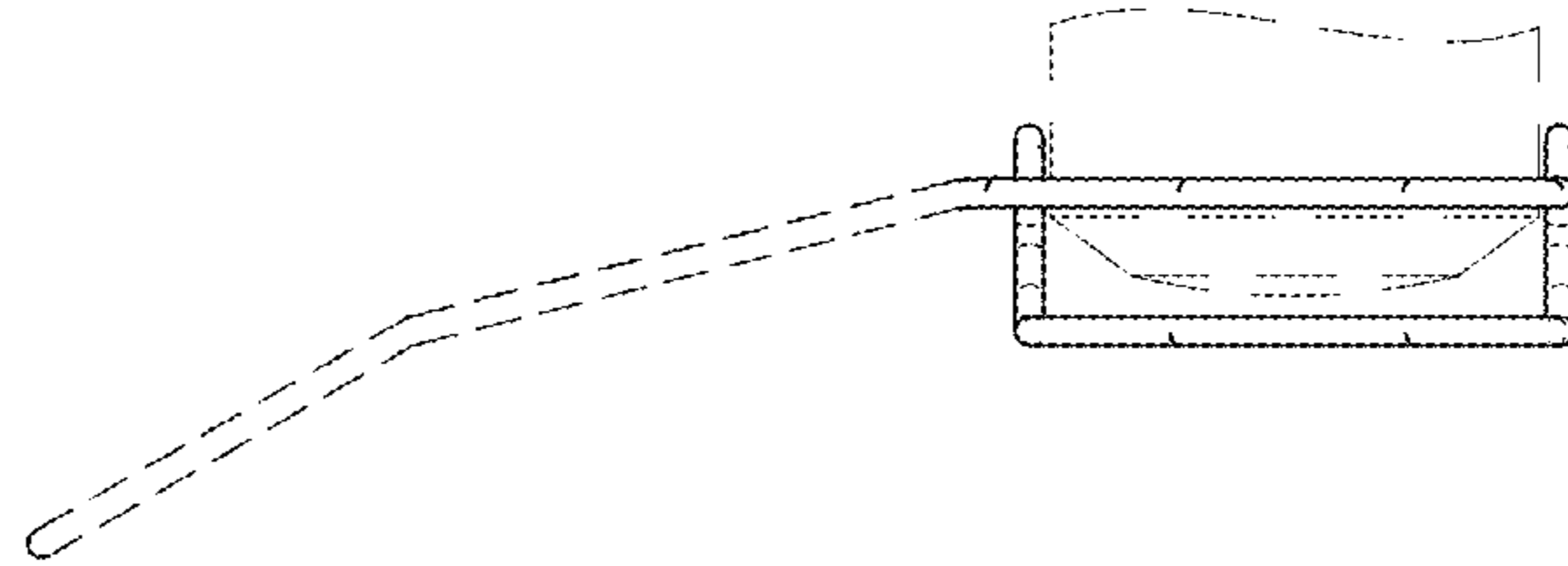


FIG.3

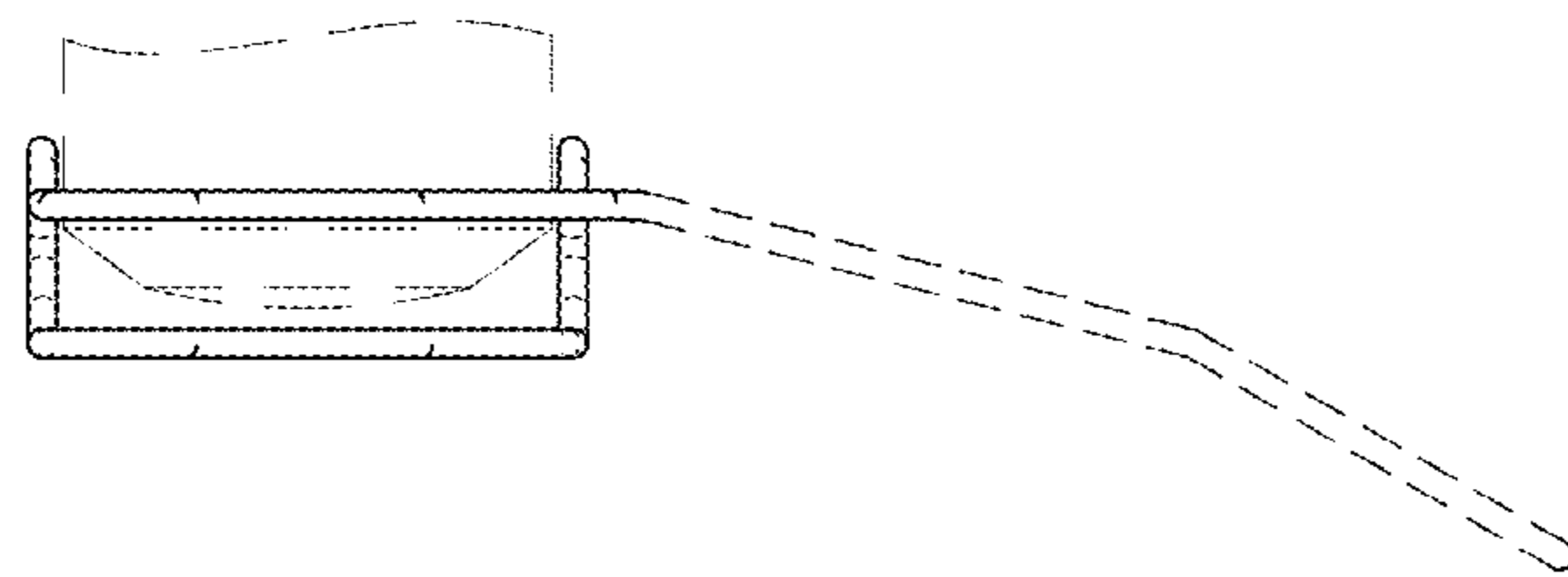


FIG.4

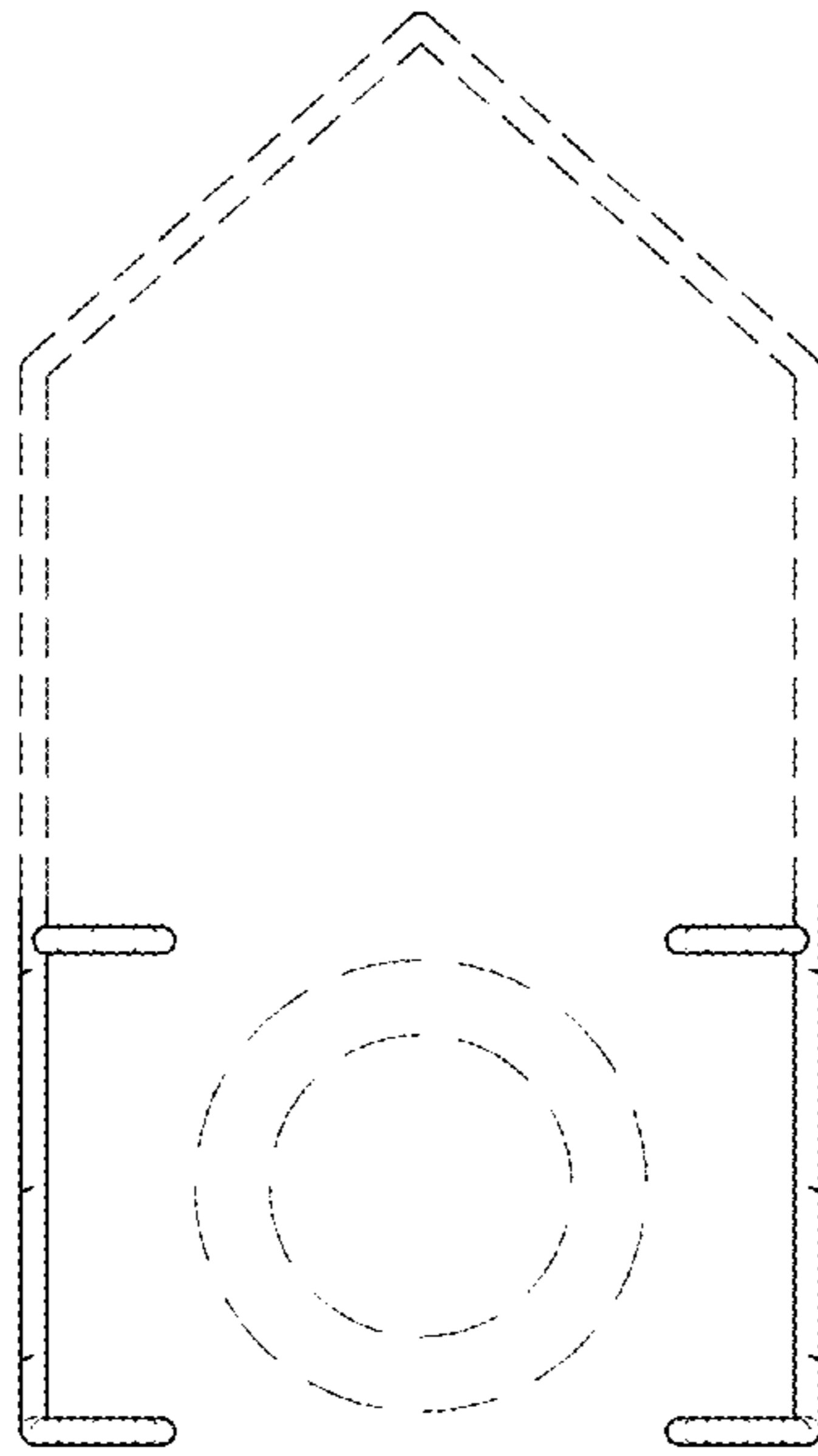


FIG.5

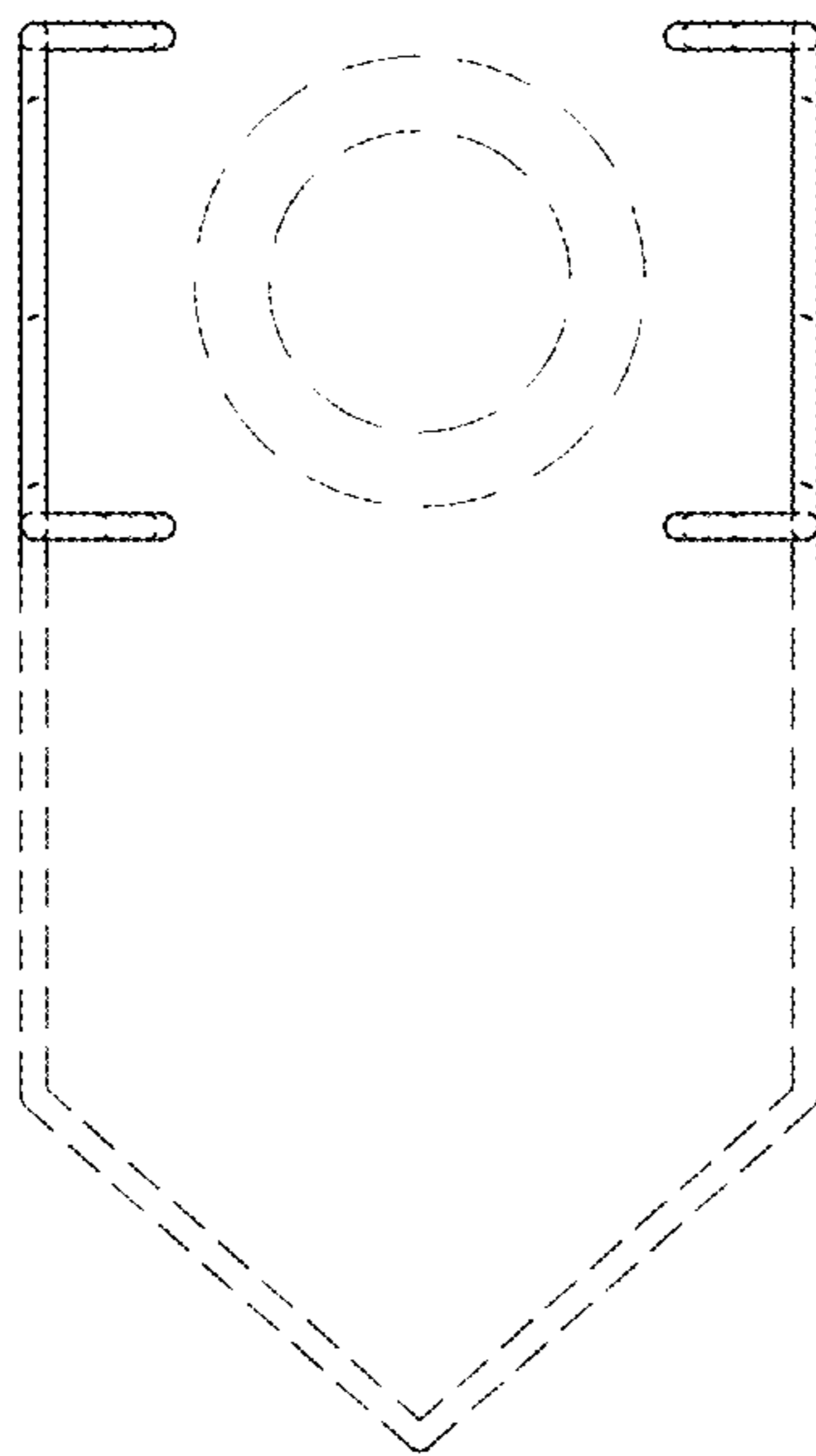


FIG.6

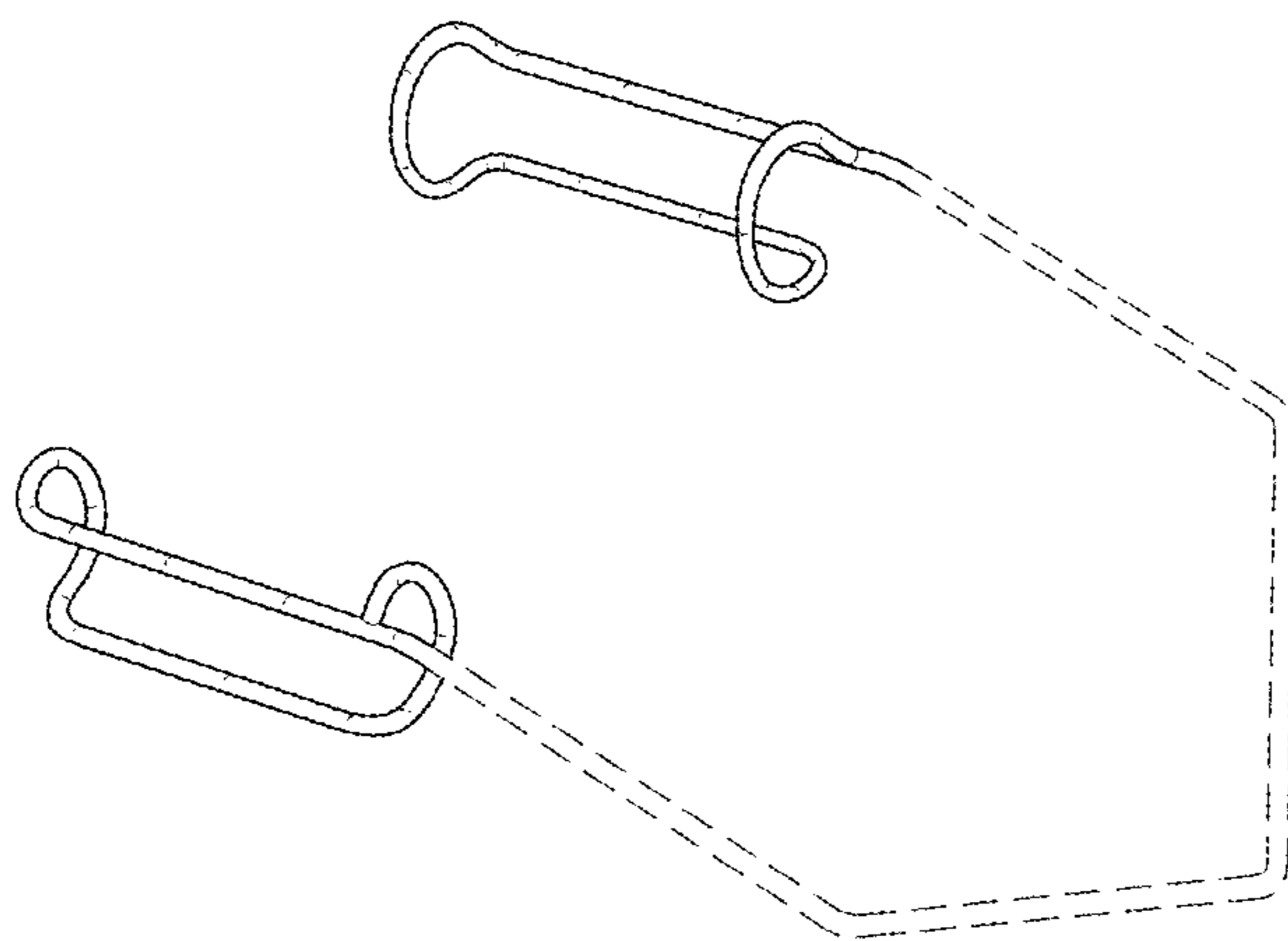


FIG. 7

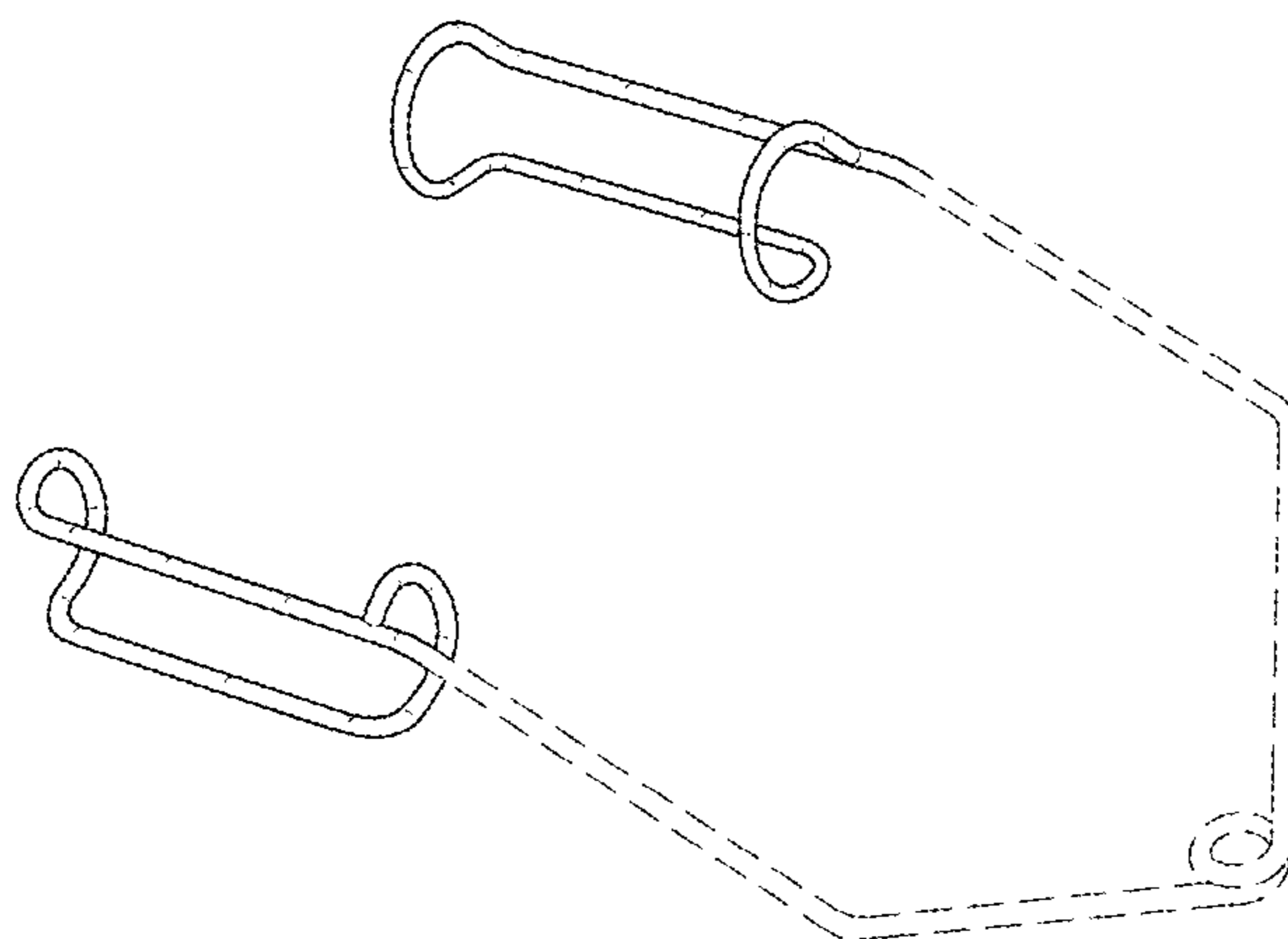


FIG. 8