



US00D752217S

(12) **United States Design Patent**
Swift

(10) **Patent No.:** **US D752,217 S**
(45) **Date of Patent:** **** Mar. 22, 2016**

(54) **ANAL SPECULUM WITH INTRODUCER AND BUILT-IN DISPOSABLE LIGHT SOURCE**

(71) Applicant: **OBP Medical Corporation**, Lawrence, MA (US)

(72) Inventor: **Jeffrey Ralph Swift**, Tewksbury, MA (US)

(73) Assignee: **OBP MEDICAL CORPORATION**, Lawrence, MA (US)

(**) Term: **14 Years**

(21) Appl. No.: **29/501,779**

(22) Filed: **Sep. 8, 2014**

Related U.S. Application Data

(62) Division of application No. 29/446,714, filed on Feb. 27, 2013, now Pat. No. Des. 719,652.

(51) **LOC (10) Cl.** **24-02**

(52) **U.S. Cl.**
USPC **D24/135**

(58) **Field of Classification Search**
USPC D24/135, 133, 143
CPC A61B 1/32; A61B 17/4241; A61B 1/31
See application file for complete search history.

(56) **References Cited**

U.S. PATENT DOCUMENTS

7,029,438	B2 *	4/2006	Morin	A61B 1/31 600/184
D564,657	S *	3/2008	Tsai	D24/135
7,452,329	B2 *	11/2008	Bastia	A61B 1/00105 600/105
D612,046	S *	3/2010	Tsai	D24/135
D660,426	S *	5/2012	Hermle	D24/138
D672,463	S *	12/2012	Saad	D24/138
8,585,719	B2 *	11/2013	Chen	A61B 1/31 600/184
D719,652	S *	12/2014	Swift	D24/135

2002/0111639	A1 *	8/2002	Armstrong	A61B 1/31 606/144
2006/0036129	A1 *	2/2006	Sias	A61B 1/31 600/135
2007/0043264	A1 *	2/2007	Gillis	A61B 1/303 600/184
2008/0262511	A1 *	10/2008	Delaney	A61B 1/31 600/184
2008/0275301	A1 *	11/2008	Lubowski	A61B 1/31 600/130

FOREIGN PATENT DOCUMENTS

CN	301202678	*	5/2010	
CN	302961613	*	10/2014	
FR	001774898	A1 *	4/2007 A61B 1/0607

OTHER PUBLICATIONS

The Stevens Company. <URL: <http://stevens.ca/product.htm?Product=444-80-2245&Source=Search>>. Visited Dec. 16, 2015. Speculum with curved outer layer.*

(Continued)

Primary Examiner — Bridget L Eland

Assistant Examiner — Lauren McVey

(74) *Attorney, Agent, or Firm* — CKC & Partners Co., Ltd.

(57) **CLAIM**

The ornamental design for an anal speculum with introducer and built-in disposable light source, as shown and described.

DESCRIPTION

FIG. 1 is a perspective view of a anal speculum with introducer and built-in disposable light source showing my new design;

FIG. 2 is a front view thereof;

FIG. 3 is a rear view thereof;

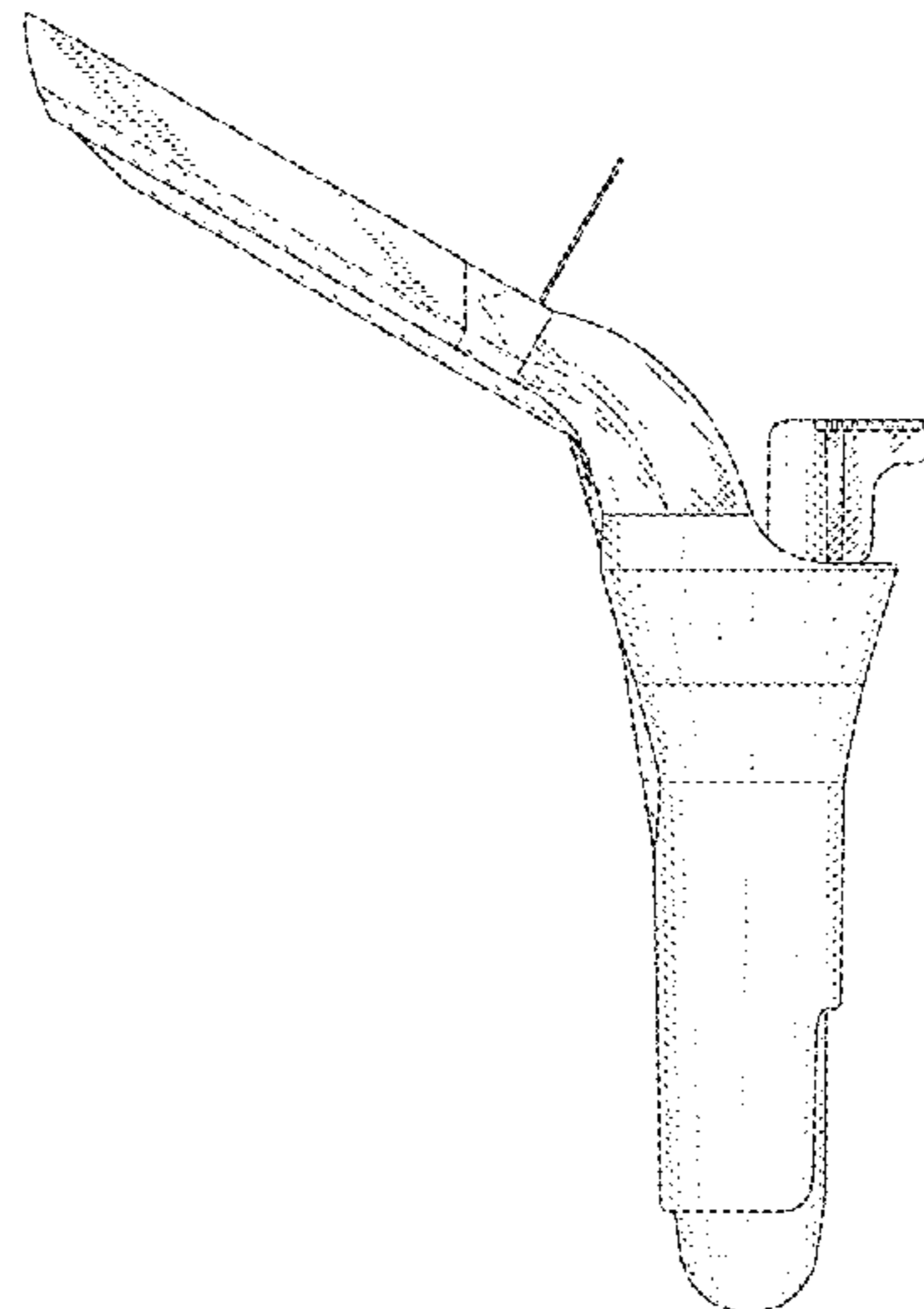
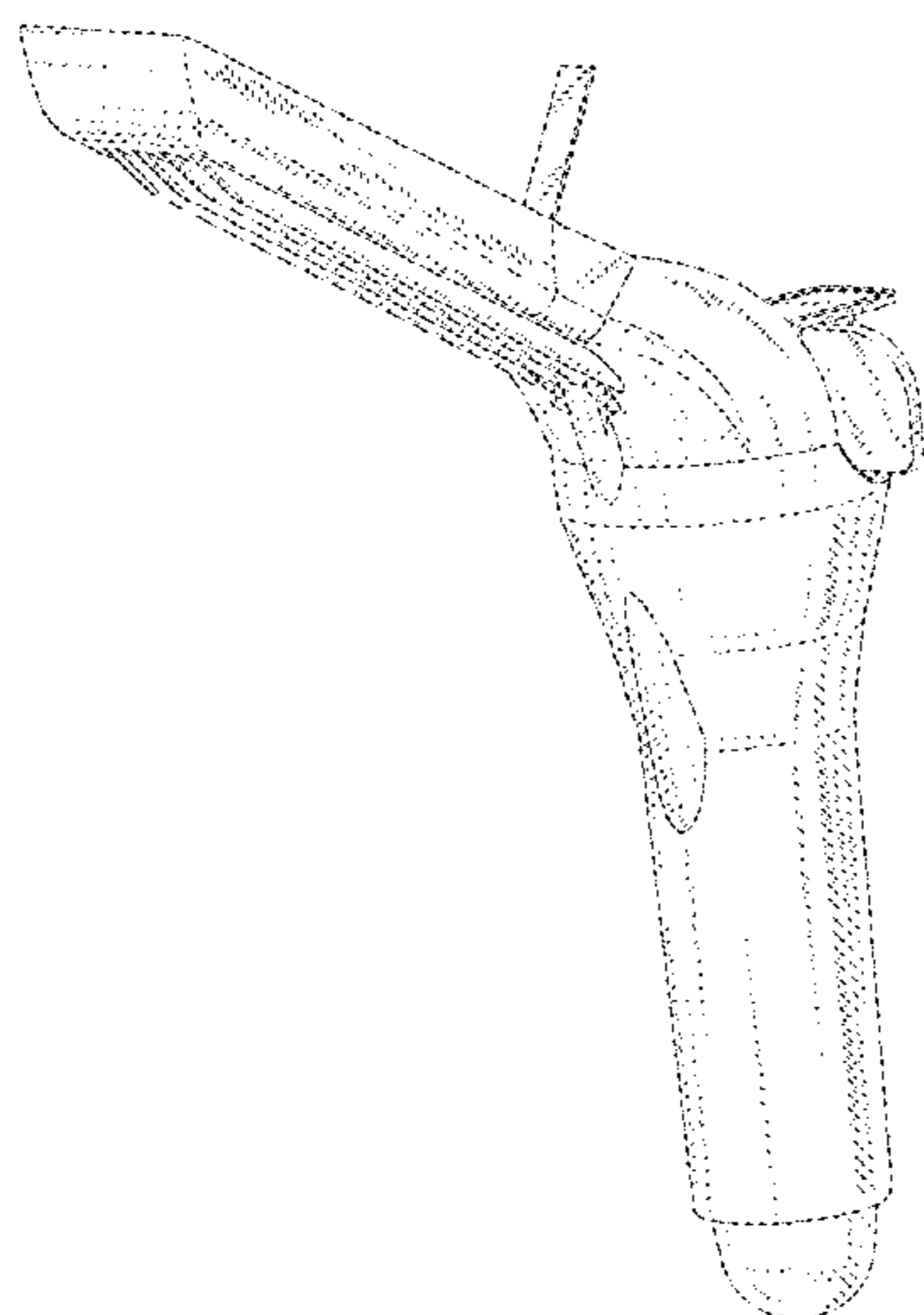
FIG. 4 is a left side view thereof;

FIG. 5 is a right side view thereof;

FIG. 6 is a top view thereof; and,

FIG. 7 is a bottom view thereof.

1 Claim, 7 Drawing Sheets



(56)

References Cited

OTHER PUBLICATIONS

Etsy shop Cyclopaedia. <URL: https://www.etsy.com/listing/219745437/antique-british-chrome-plated-brass?ga_order=most_

relevant&ga_searchtype=vintage&ga_view_type=gallery&ga_search_query=speculum&ref=sr_gallery_6>. Visited Dec. 16, 2015. Vintage speculum with recessed grooves.*

* cited by examiner

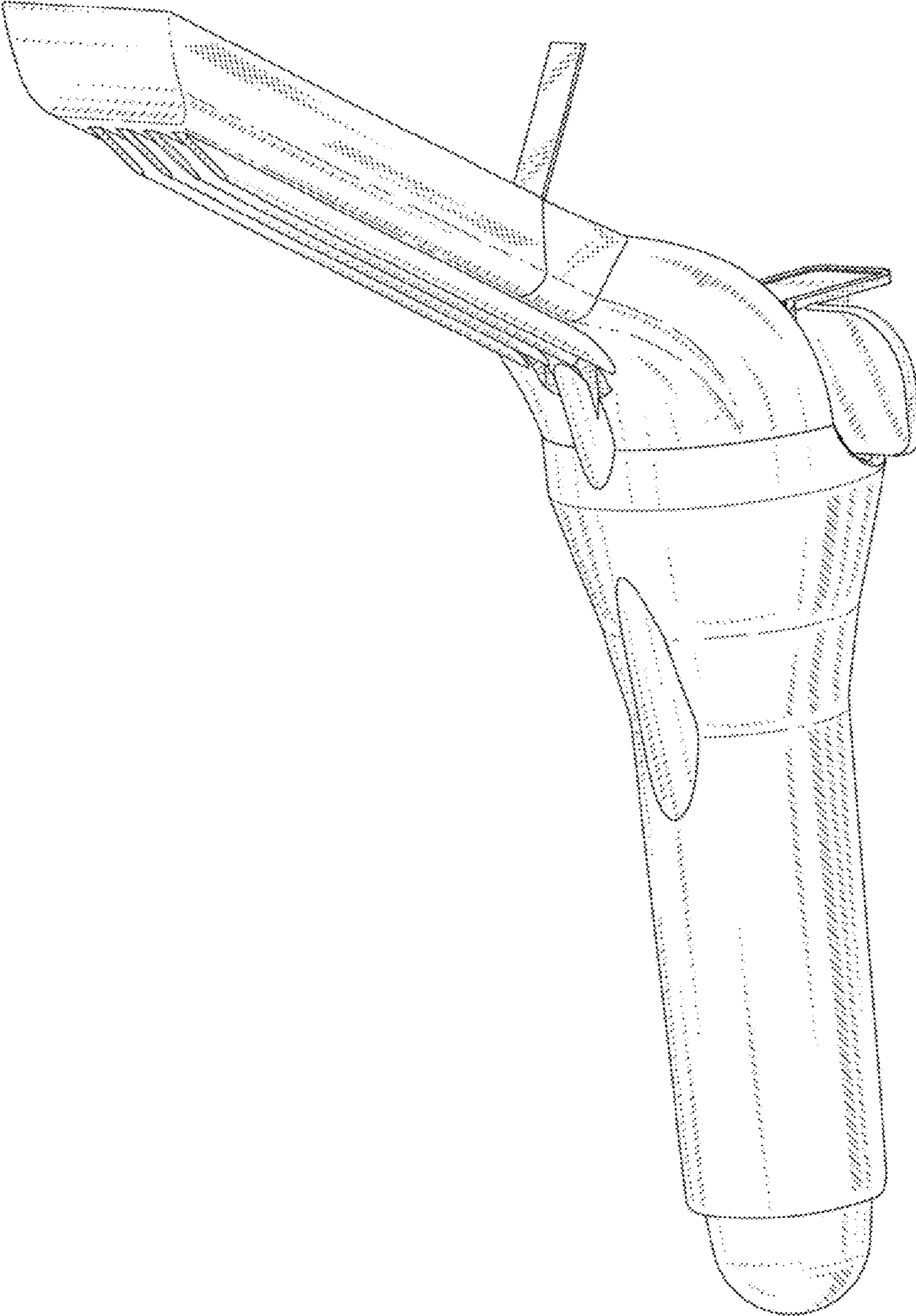


FIG. 1

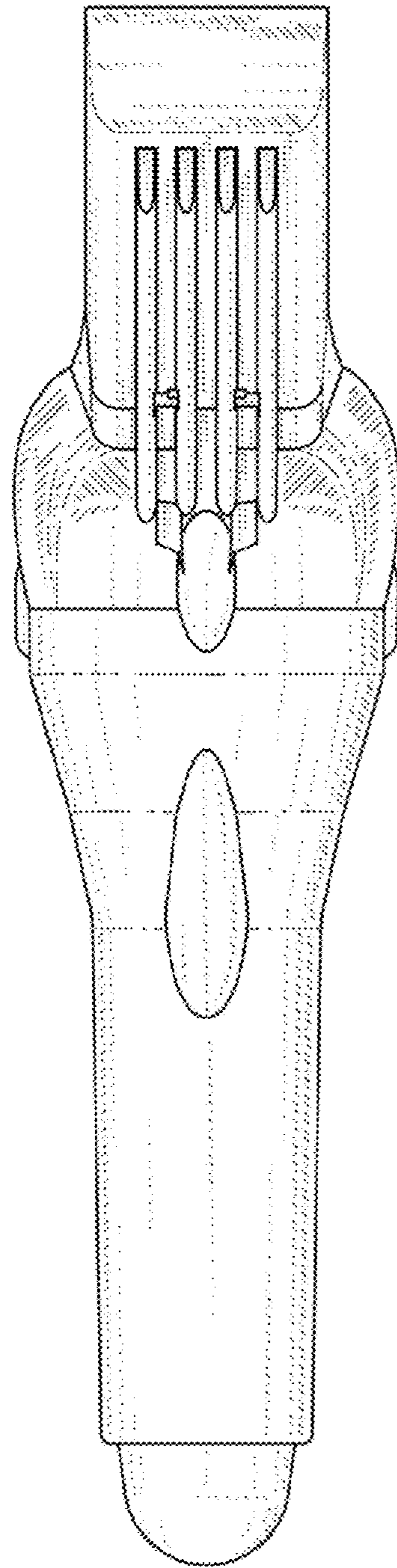


FIG. 2

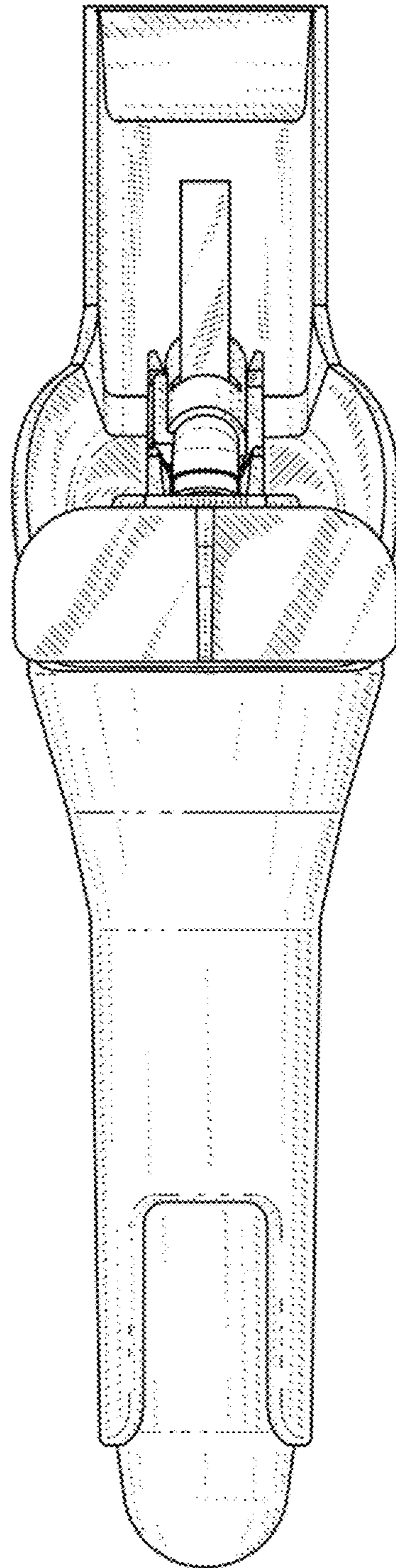


FIG. 3

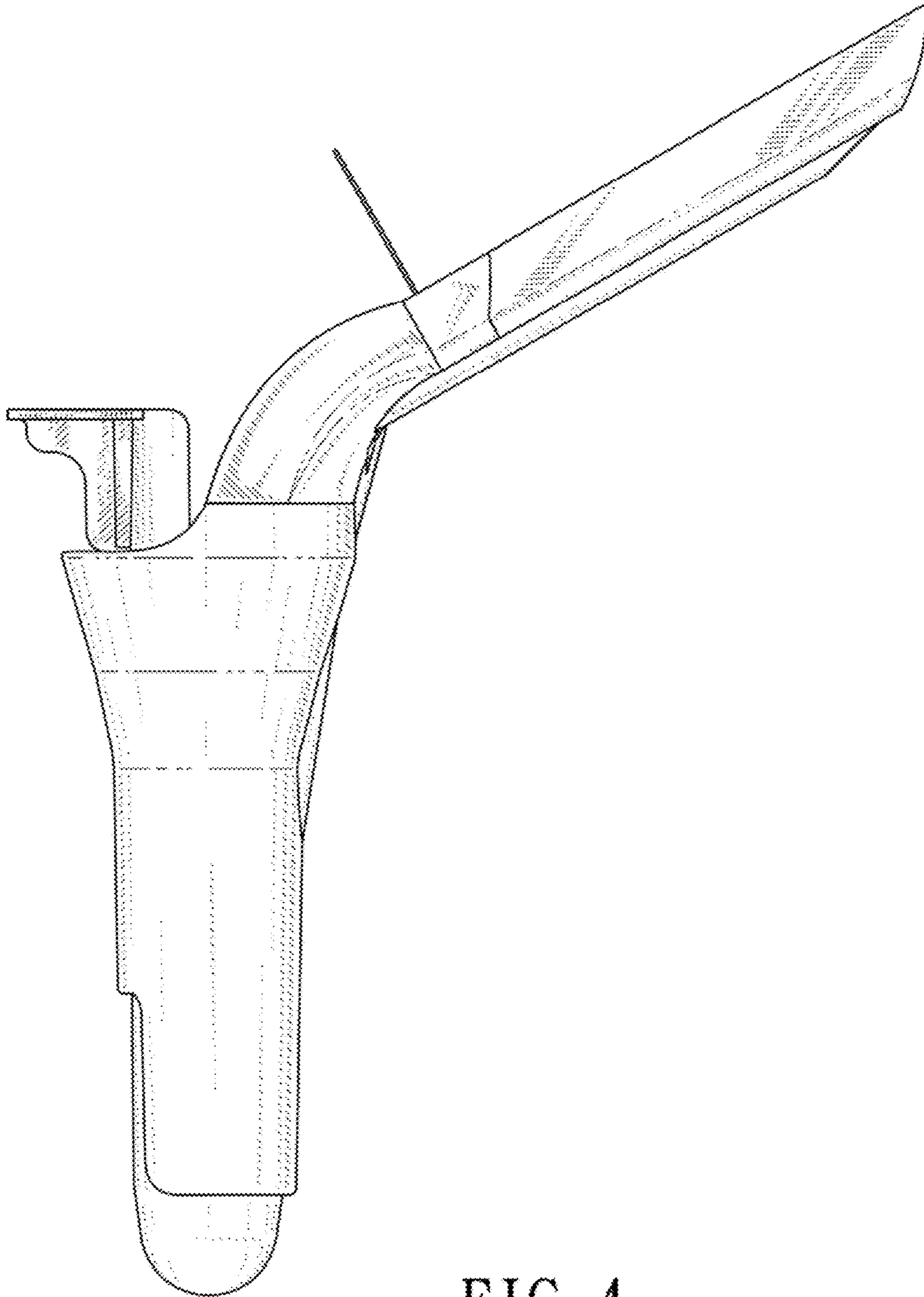


FIG. 4

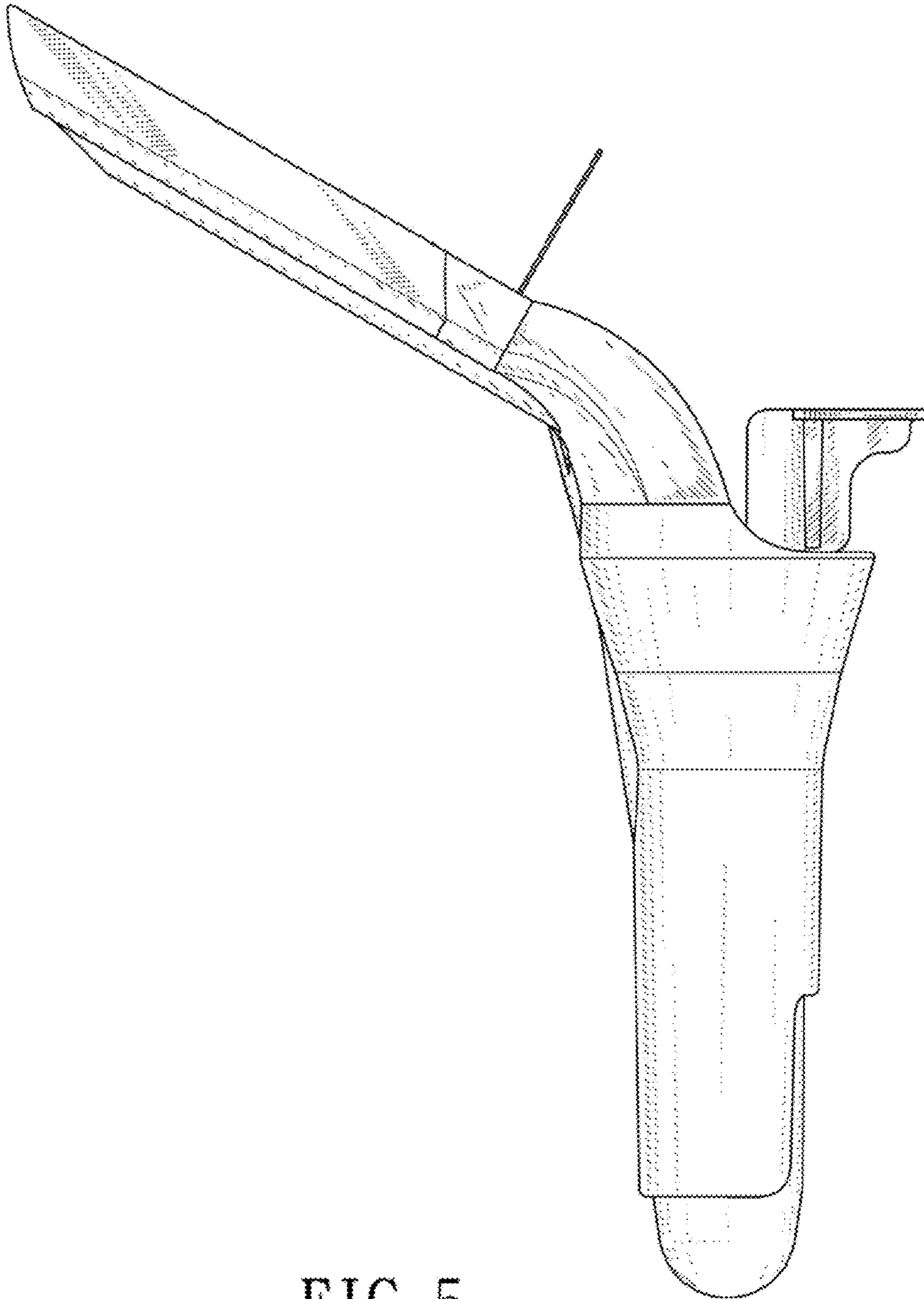


FIG. 5

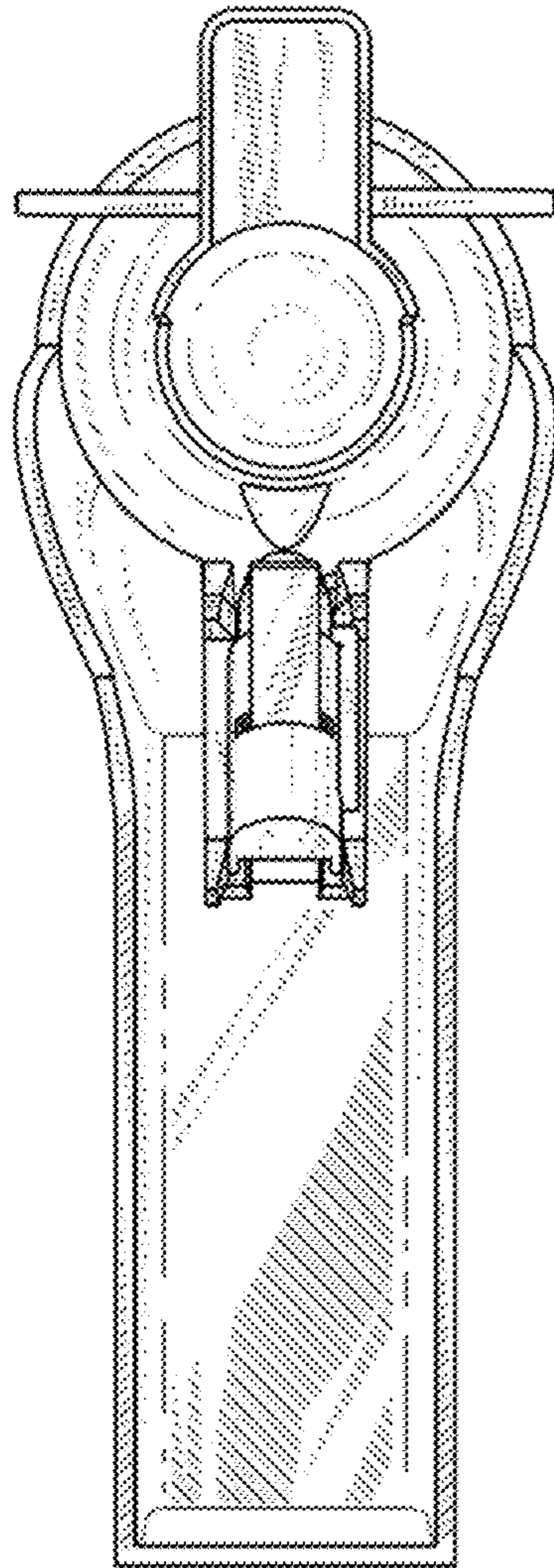


FIG. 6

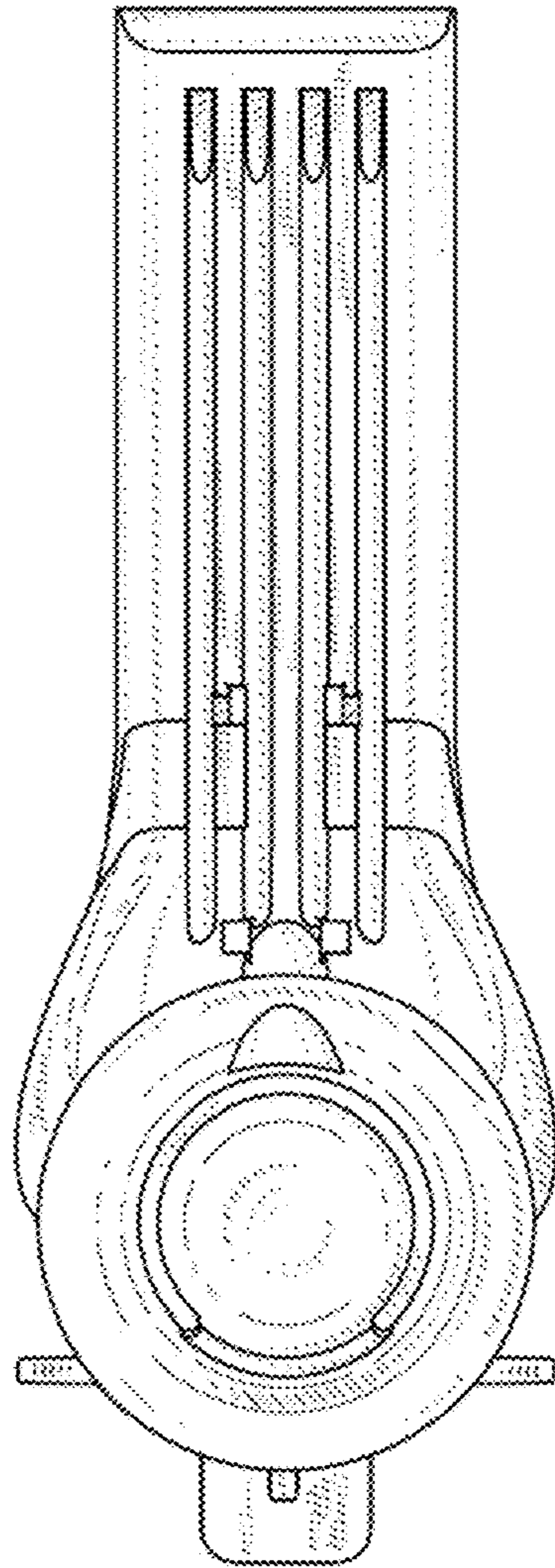


FIG. 7