



US00D752216S

(12) **United States Design Patent**
Chong et al.

(10) **Patent No.:** **US D752,216 S**
(45) **Date of Patent:** **** Mar. 22, 2016**

- (54) **ELECTRONIC STETHOSCOPE**
- (71) Applicant: **CliniCloud Inc.**, San Francisco, CA (US)
- (72) Inventors: **Hon Weng Chong**, Toorak (AU); **An Lin**, Eight Mile Plains (AU); **Lain Cai Cai**, Macleod (AU)
- (73) Assignee: **CliniCloud Inc.**, San Francisco, CA (US)
- (**) Term: **14 Years**
- (21) Appl. No.: **29/514,159**
- (22) Filed: **Jan. 8, 2015**
- (51) **LOC (10) Cl.** **24-02**
- (52) **U.S. Cl.**
USPC **D24/134**
- (58) **Field of Classification Search**
USPC D24/134, 133; D6/349; D9/429; D8/8; 181/131, 132
CPC H04R 1/46; A61B 7/04; A61B 7/003; A61B 5/024; A61B 5/7282; A61B 5/742
See application file for complete search history.

D635,667 S *	4/2011	Soerensen	D24/134
D681,967 S *	5/2013	Schoolmeester	D6/349
D711,532 S *	8/2014	Habboushe	D24/134
2006/0227979 A1 *	10/2006	Chen	A61B 7/04 381/67
2008/0137876 A1 *	6/2008	Kassal	A61B 7/04 381/67
2015/0164465 A1 *	6/2015	Shan	A61B 7/02 181/131

* cited by examiner

Primary Examiner — Wan Laymon

Assistant Examiner — Mark Booker

(74) *Attorney, Agent, or Firm* — Lowenstein Sandler LLP

(57) **CLAIM**

The ornamental design for an electronic stethoscope, as shown and described.

DESCRIPTION

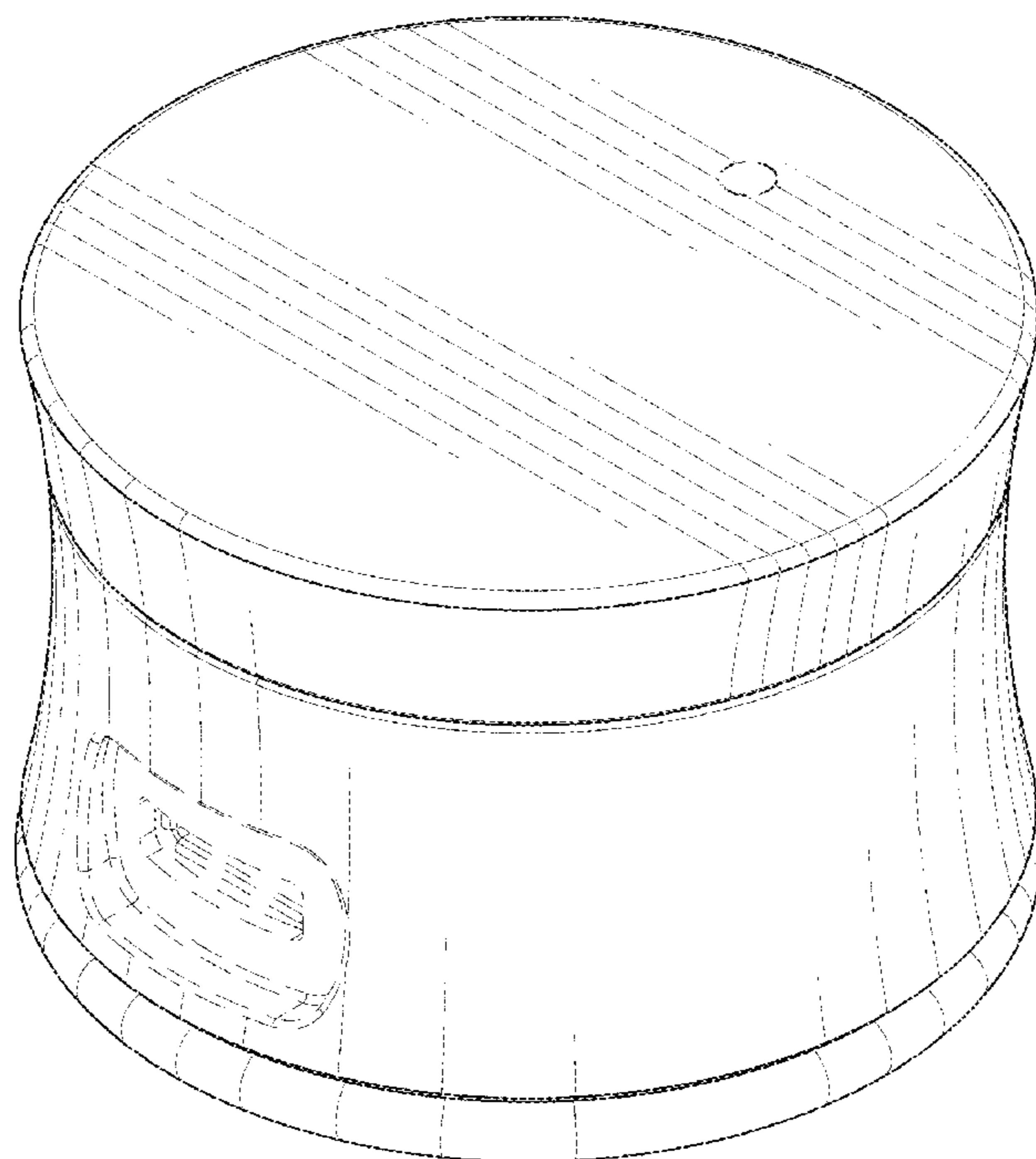
FIG. 1 is a perspective view of an electronic stethoscope showing our new design.
 FIG. 2 is a second perspective view thereof.
 FIG. 3 is a front view thereof.
 FIG. 4 is a back view thereof.
 FIG. 5 is a side view thereof.
 FIG. 6 is a side view thereof.
 FIG. 7 is a top view thereof; and,
 FIG. 8 is a bottom view thereof.
 The broken lines shown in the figures represent portions of an electronic stethoscope that form no part of the claimed design.

(56) **References Cited**

U.S. PATENT DOCUMENTS

D432,238 S *	10/2000	Packard	D24/134
6,324,289 B2 *	11/2001	Orten	381/67
D625,931 S *	10/2010	Estrup	D6/349

1 Claim, 6 Drawing Sheets



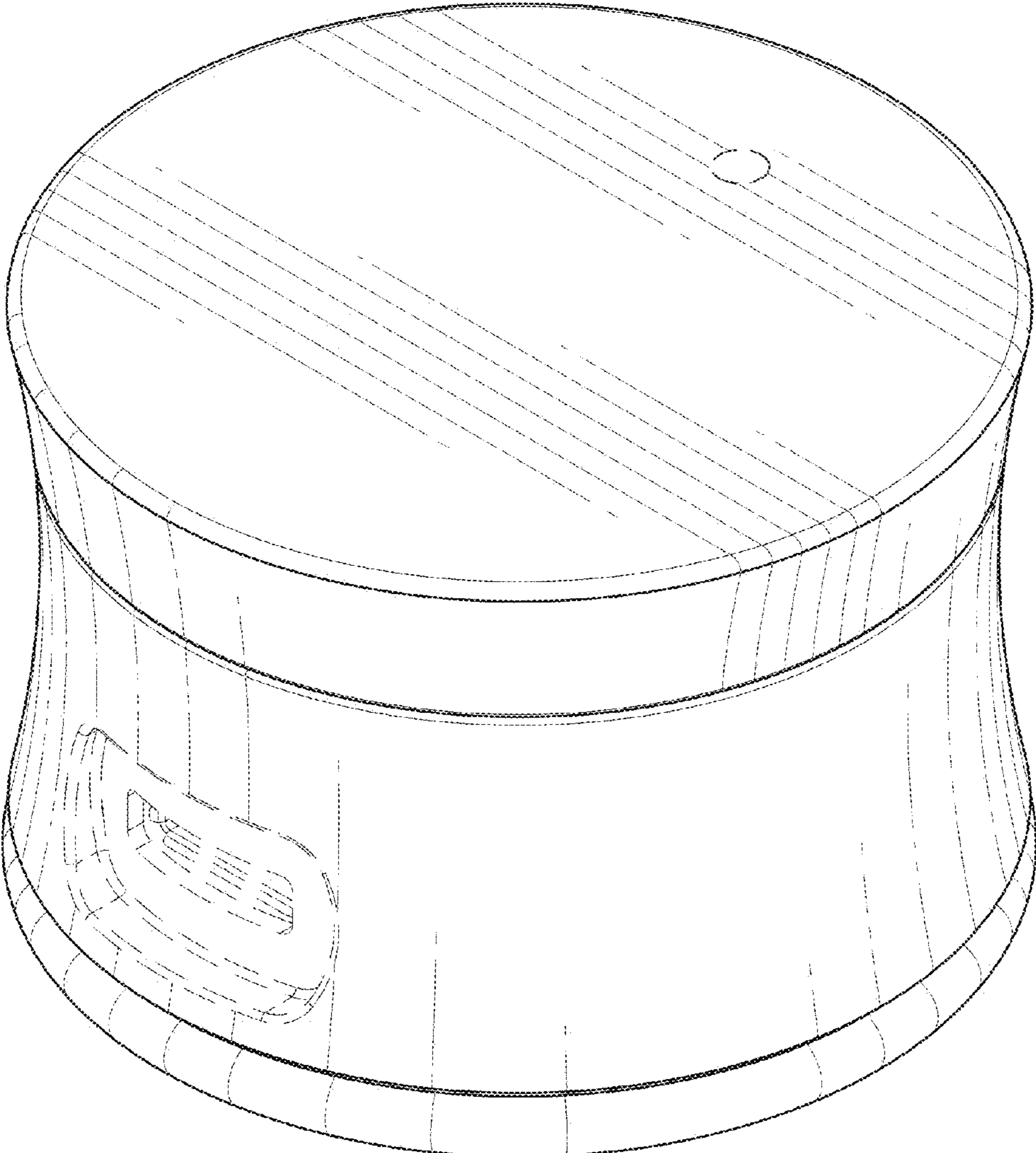


FIG. 1

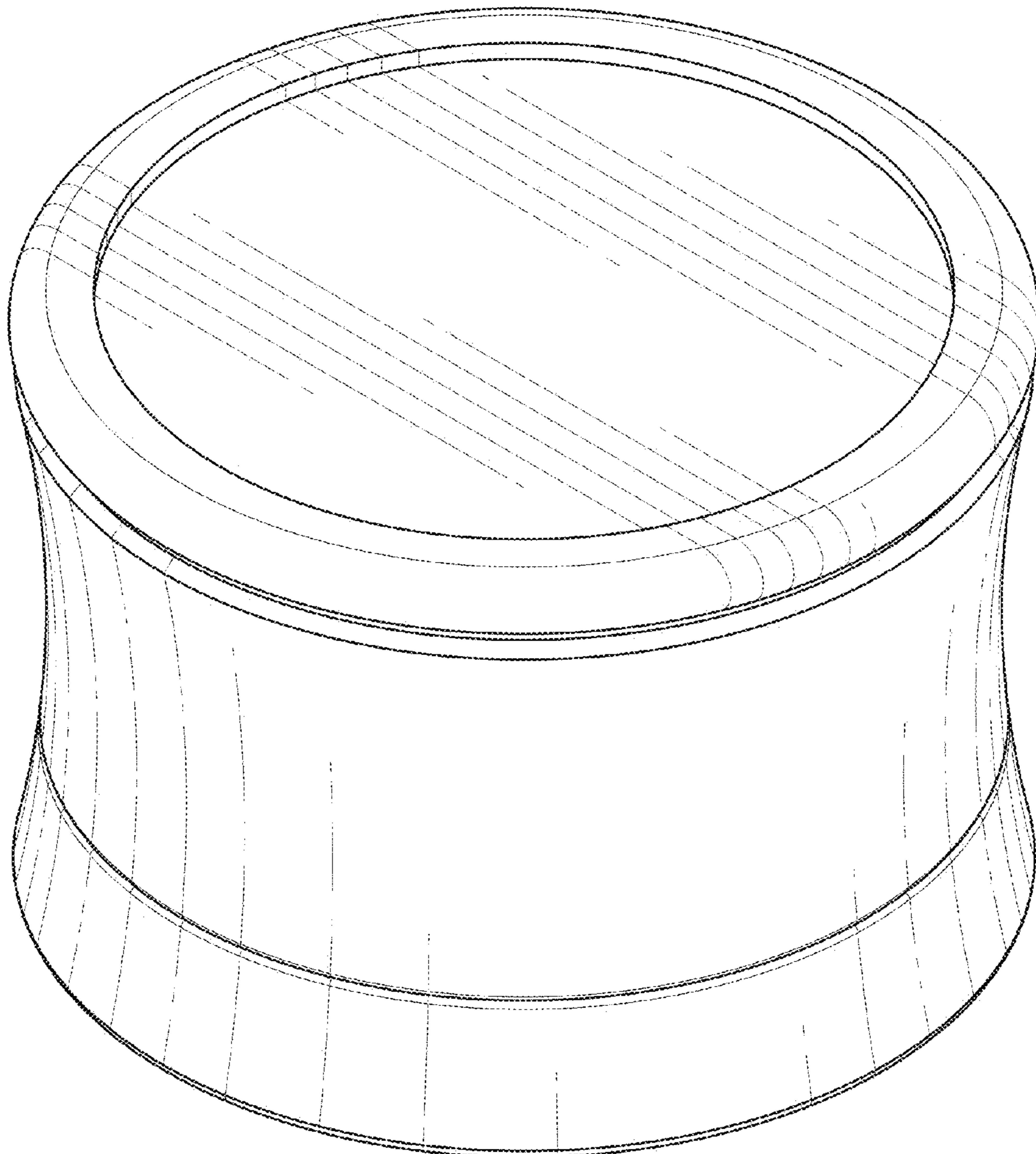


FIG. 2

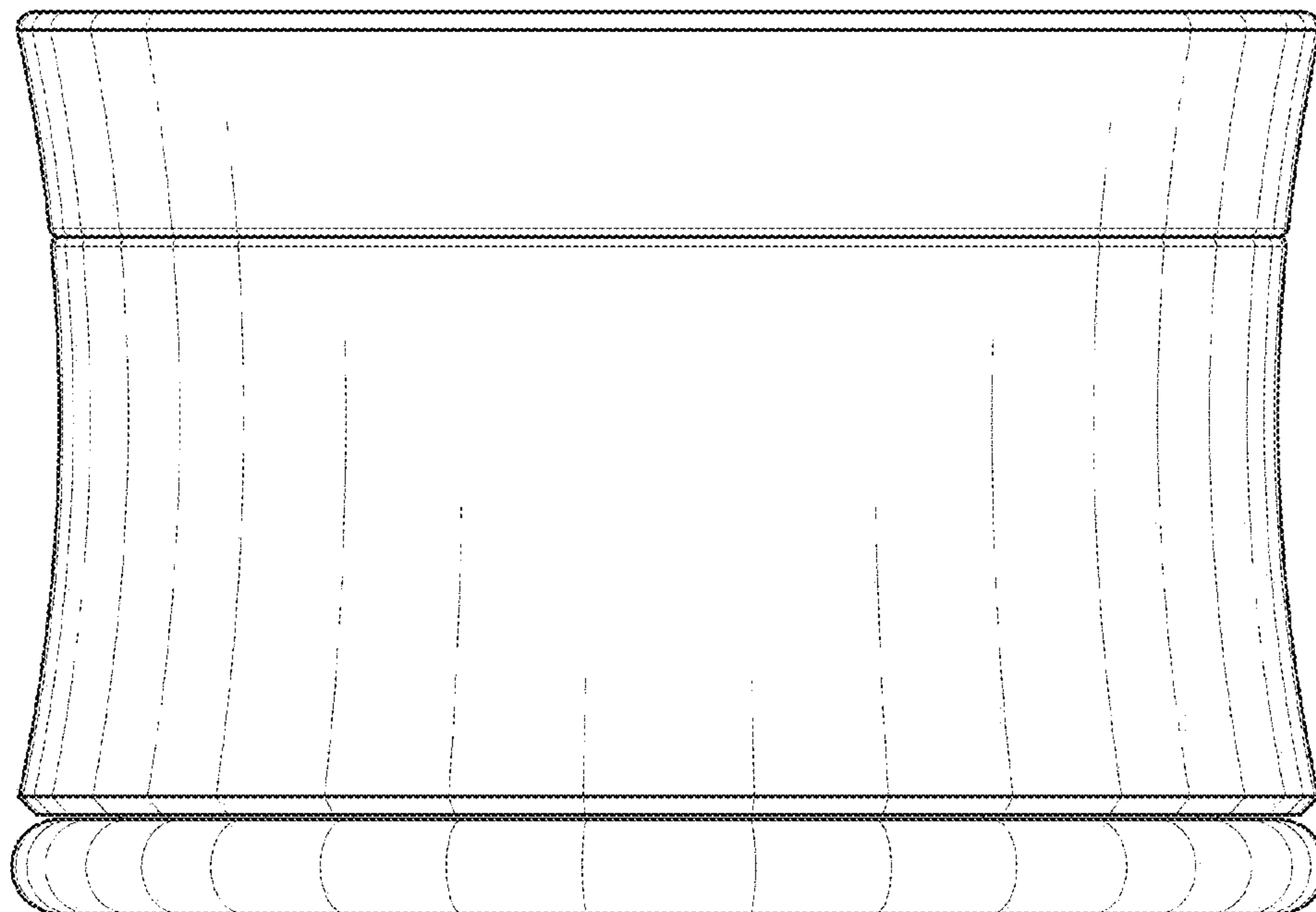


FIG. 3

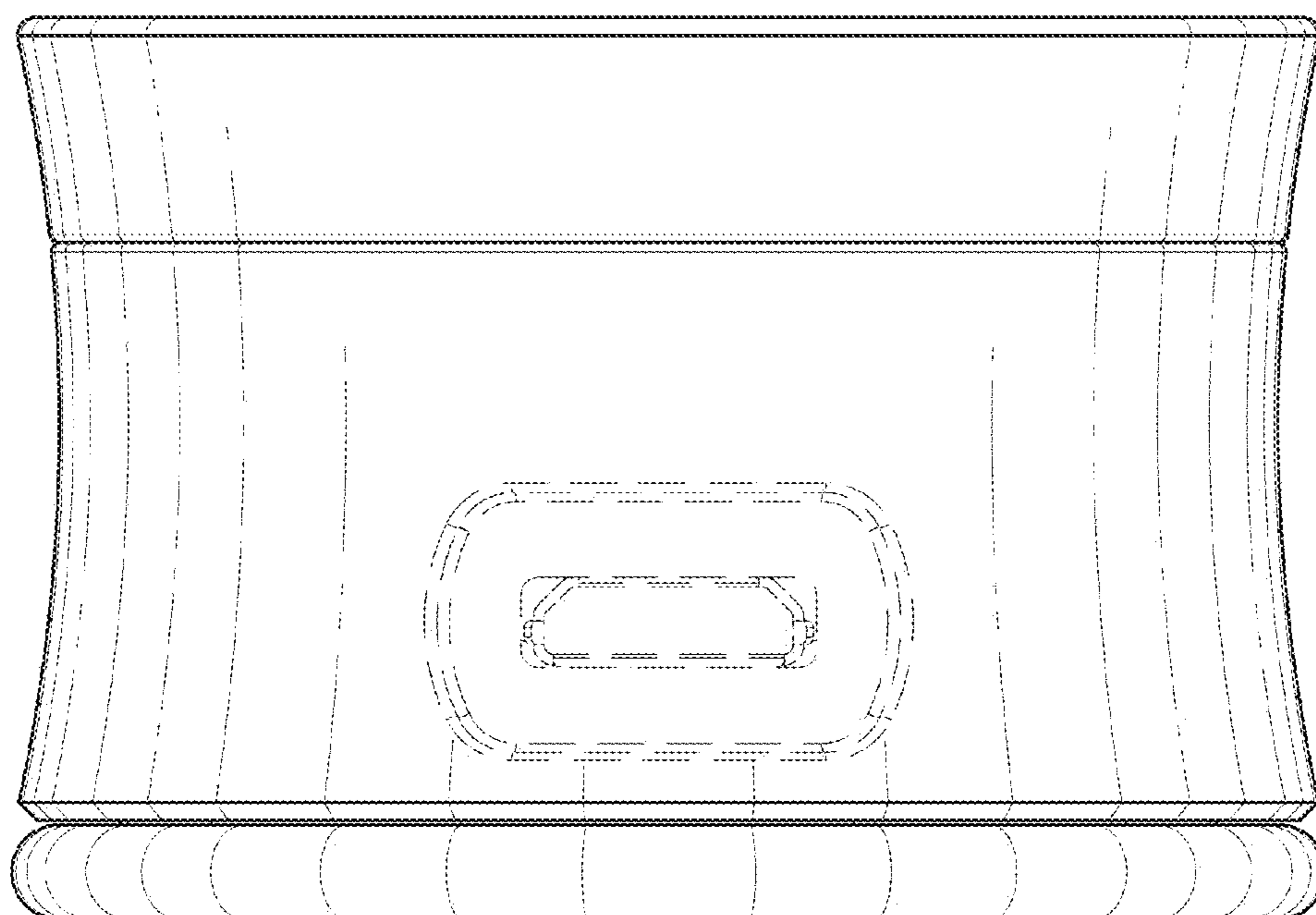


FIG. 4

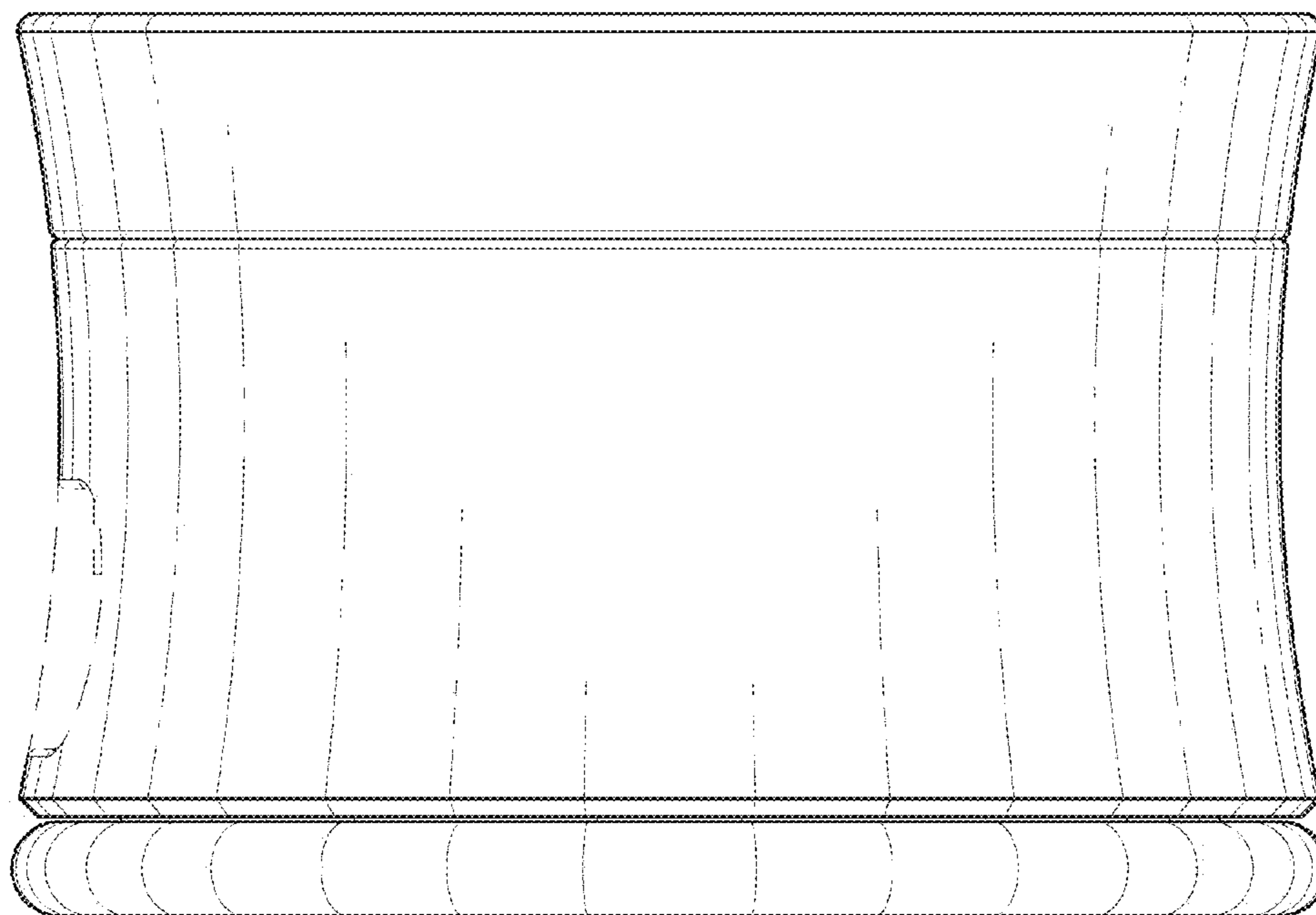


FIG. 5

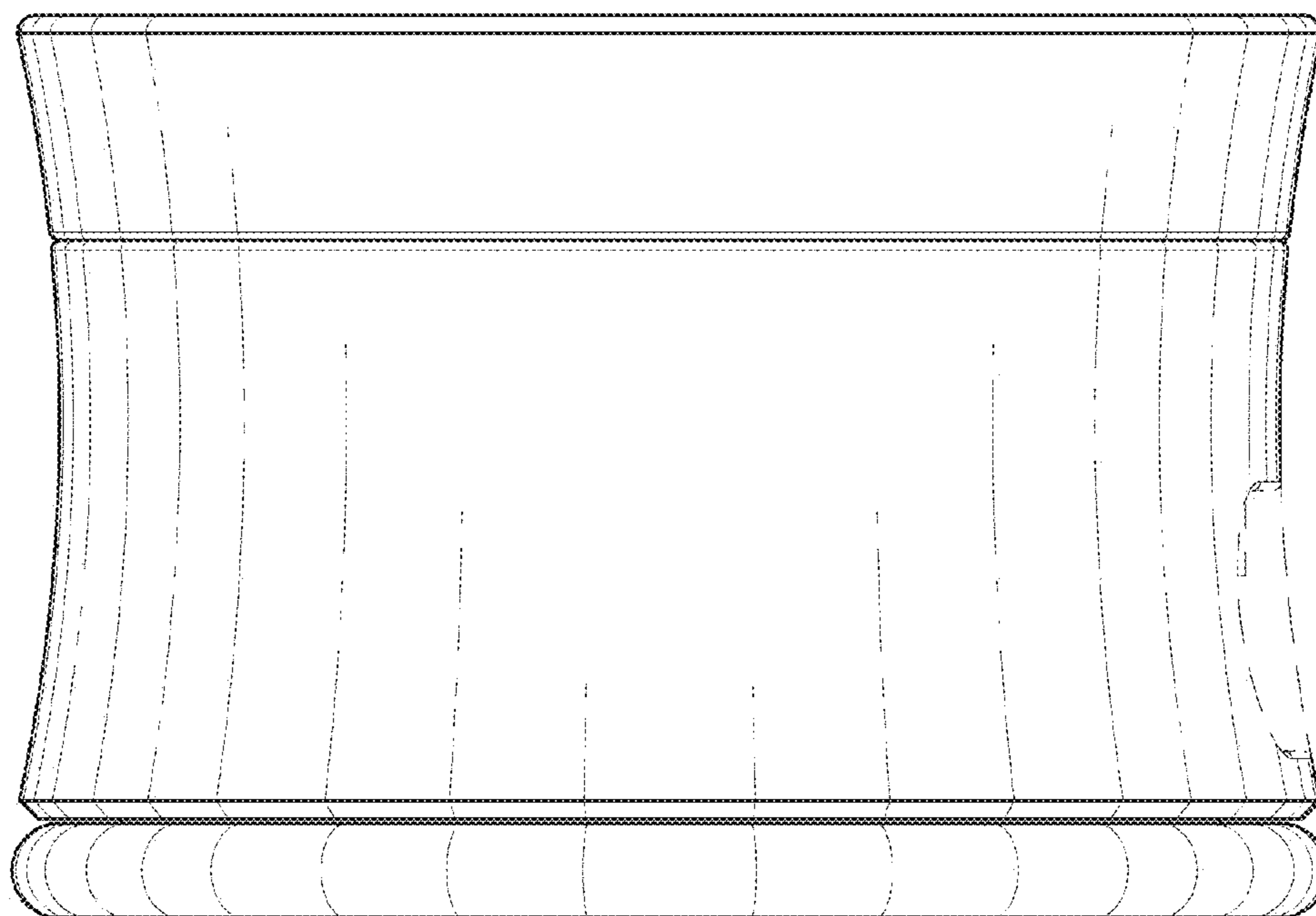


FIG. 6

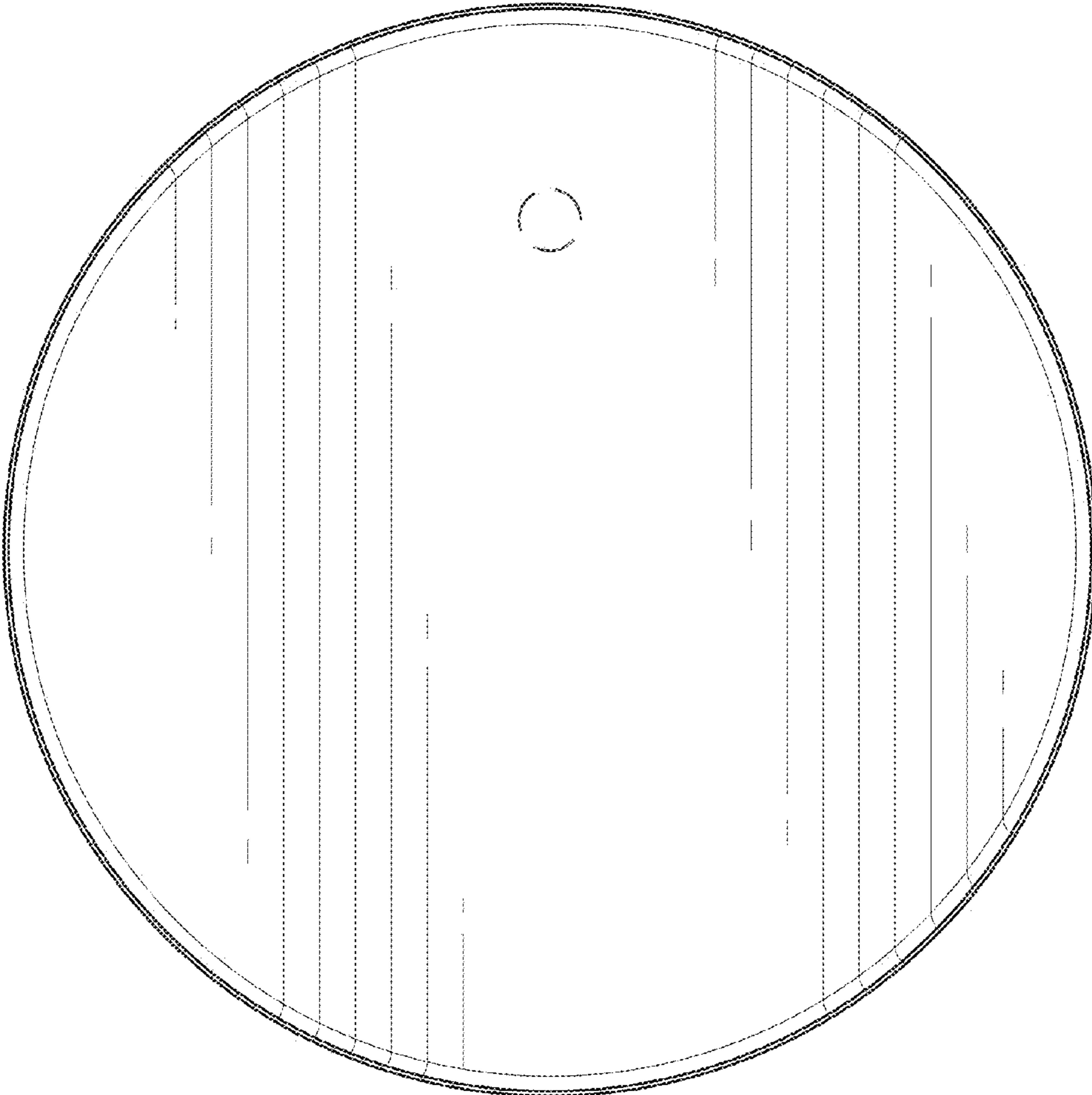


FIG. 7

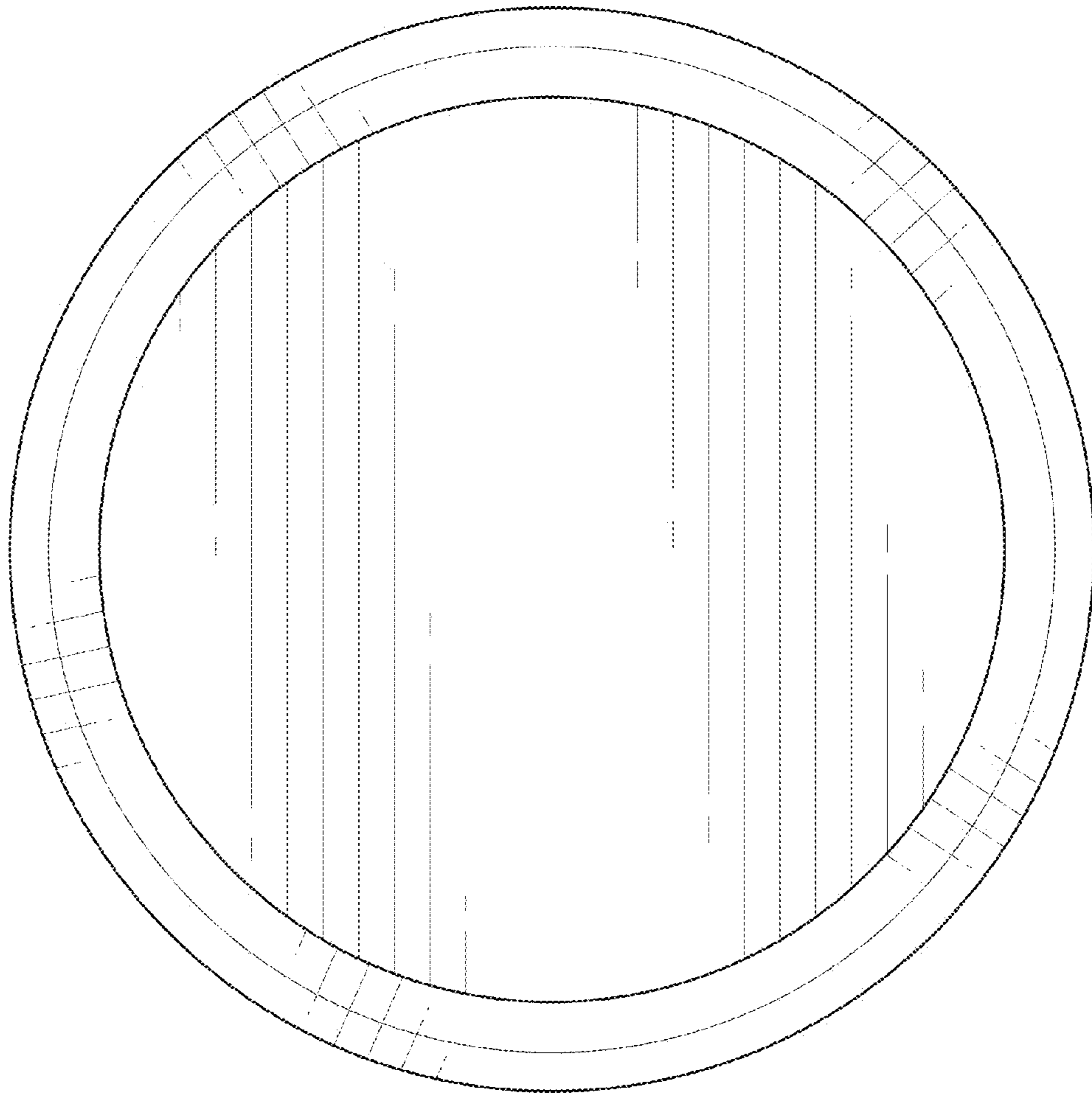


FIG. 8