



US00D752215S

(12) **United States Design Patent**
Blennow et al.

(10) **Patent No.:** **US D752,215 S**
(45) **Date of Patent:** **** Mar. 22, 2016**

(54) **CATHETER**

(71) Applicant: **CHIESI FARMACEUTICI S.P.A.**,
Parma (IT)

(72) Inventors: **Mats Blennow**, Parma (IT); **Kajsa Bohlin**, Parma (IT); **Peter Anderson Dargaville**, Parma (IT)

(73) Assignee: **CHIESI FARMACEUTICI S.P.A.**,
Parma (IT)

(**) Term: **14 Years**

(21) Appl. No.: **29/499,859**

(22) Filed: **Aug. 19, 2014**

(30) **Foreign Application Priority Data**

Feb. 19, 2014 (EM) 002407569-0001

(51) **LOC (10) Cl.** **24-02**

(52) **U.S. Cl.**
USPC **D24/130**

(58) **Field of Classification Search**
USPC D24/127-131, 112-114, 133, 186;
606/181, 185; 604/264, 523-528, 272,
604/187, 158, 164.01-164.11, 181, 184,
604/227; 600/101, 139, 143; 128/200.24,
128/207.14, 207.15

See application file for complete search history.

(56) **References Cited**

U.S. PATENT DOCUMENTS

4,993,941	A *	2/1991	Maita et al.	433/80
6,283,950	B1 *	9/2001	Appling	604/528
D496,728	S *	9/2004	Holsinger	D24/130
D590,945	S *	4/2009	Berberich	D24/146
D597,204	S *	7/2009	Oberlaender et al.	D24/133
7,594,911	B2 *	9/2009	Powers et al.	604/533
D620,107	S *	7/2010	Bartlett et al.	D24/138
D627,064	S *	11/2010	Appelbaum et al.	D24/130
D629,515	S *	12/2010	Laurence	D24/130
8,034,035	B2 *	10/2011	Weaver et al.	604/247
D699,837	S *	2/2014	Ericsson	D24/112
D700,318	S *	2/2014	Amoah et al.	D24/112
8,929,969	B2 *	1/2015	Gillis et al.	600/381

* cited by examiner

Primary Examiner — David Muller

(74) *Attorney, Agent, or Firm* — Steinfl & Bruno LLP

(57) **CLAIM**

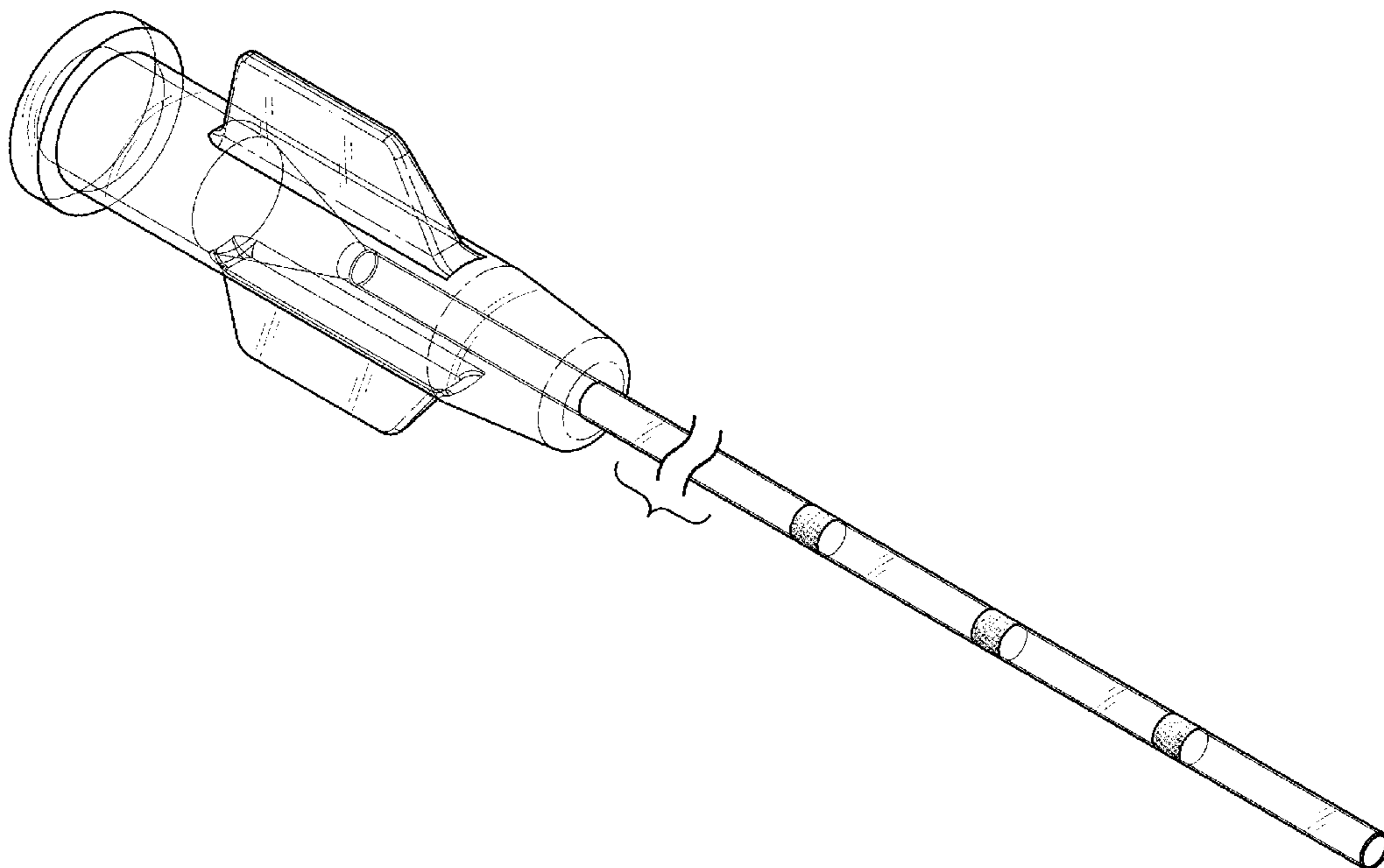
The ornamental design for a catheter, as shown and described.

DESCRIPTION

FIG. 1 is a perspective view of a catheter.
FIG. 2 is a right side view of the catheter.
FIG. 3 is a left side view of the catheter.
FIG. 4 is a top view of the catheter.
FIG. 5 is a bottom view of the catheter.
FIG. 6 is a front view of the catheter.
FIG. 7 is a rear view of the catheter; and,
FIG. 8 is a cross-sectional view of the catheter as indicated in FIG. 2.

The catheter is shown with a symbolic break in its length. The appearance of any portion of the article between the break lines forms no part of the claimed design.

1 Claim, 4 Drawing Sheets



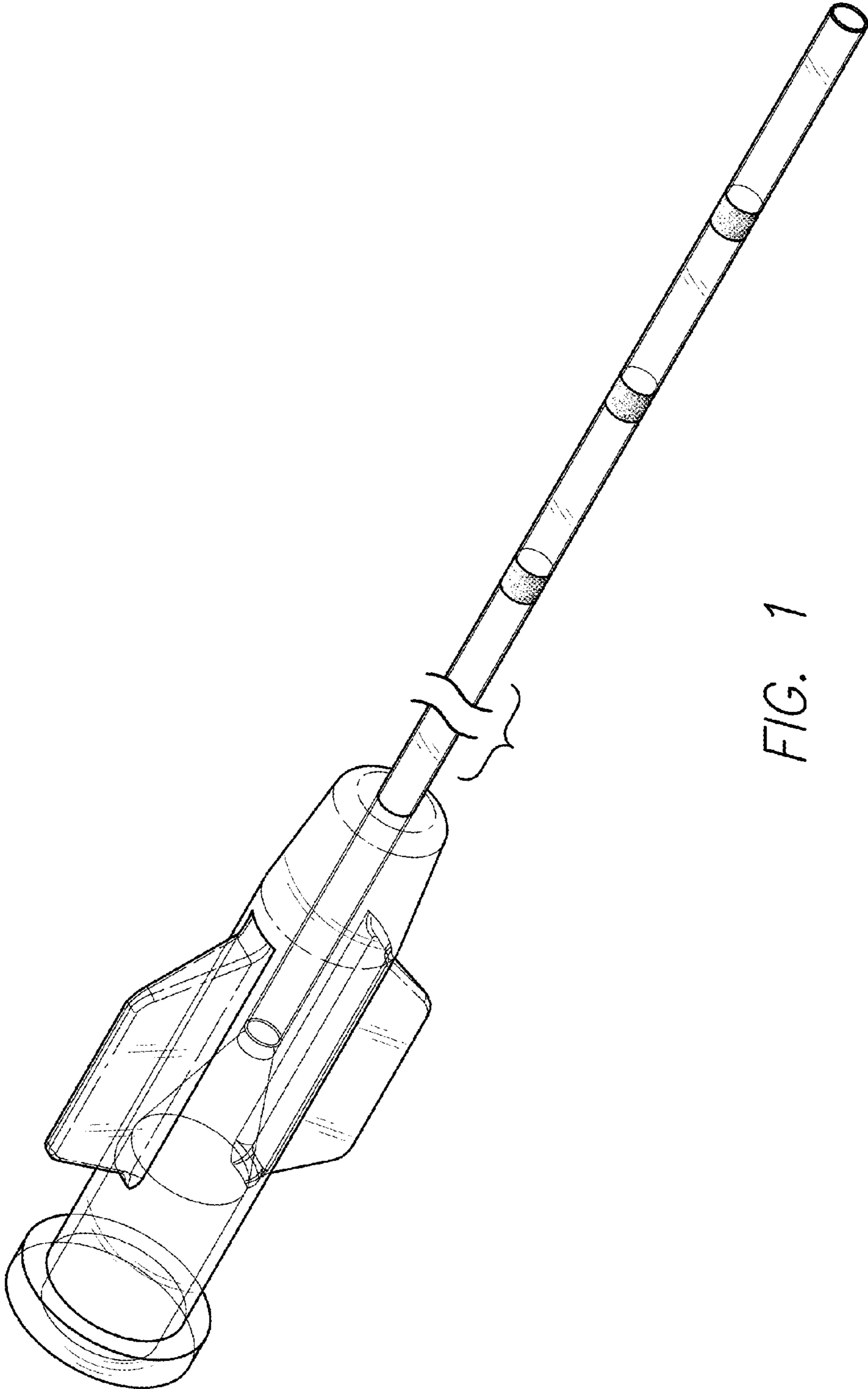


FIG. 1

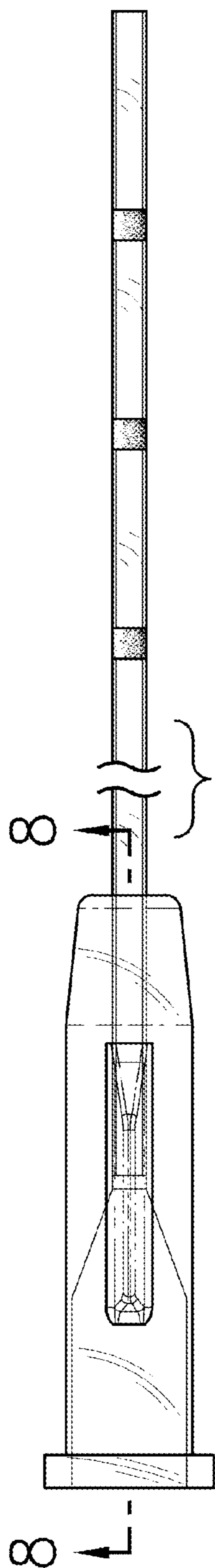


FIG. 2

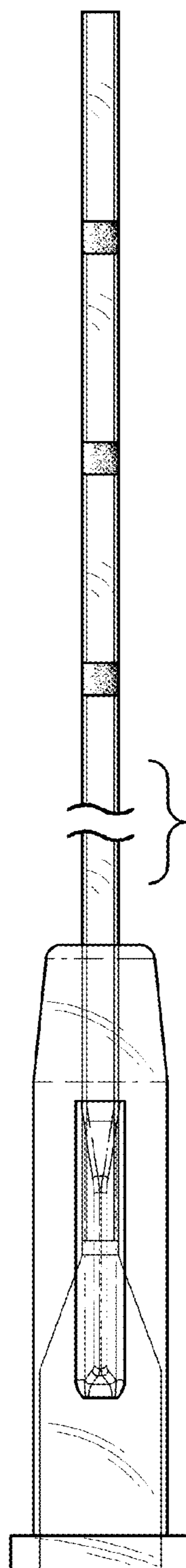


FIG. 3

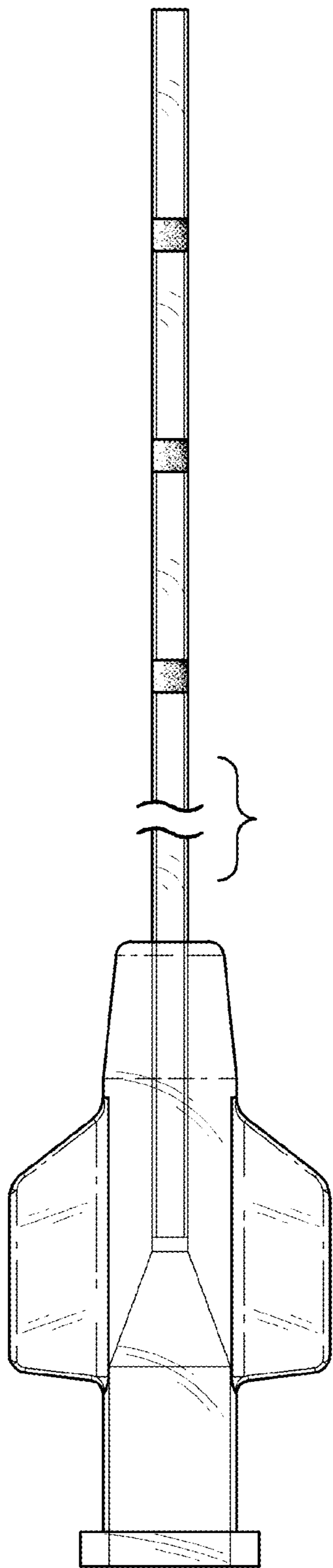


FIG. 4

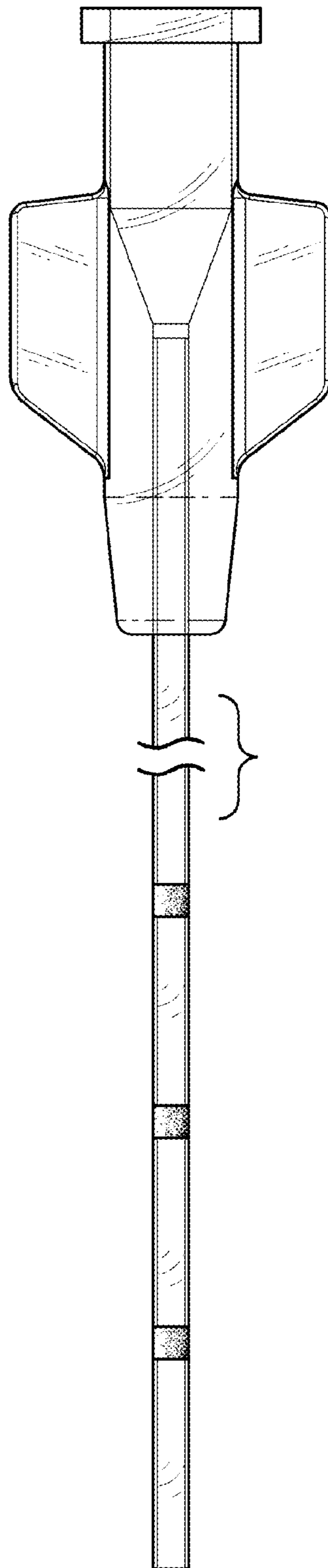


FIG. 5

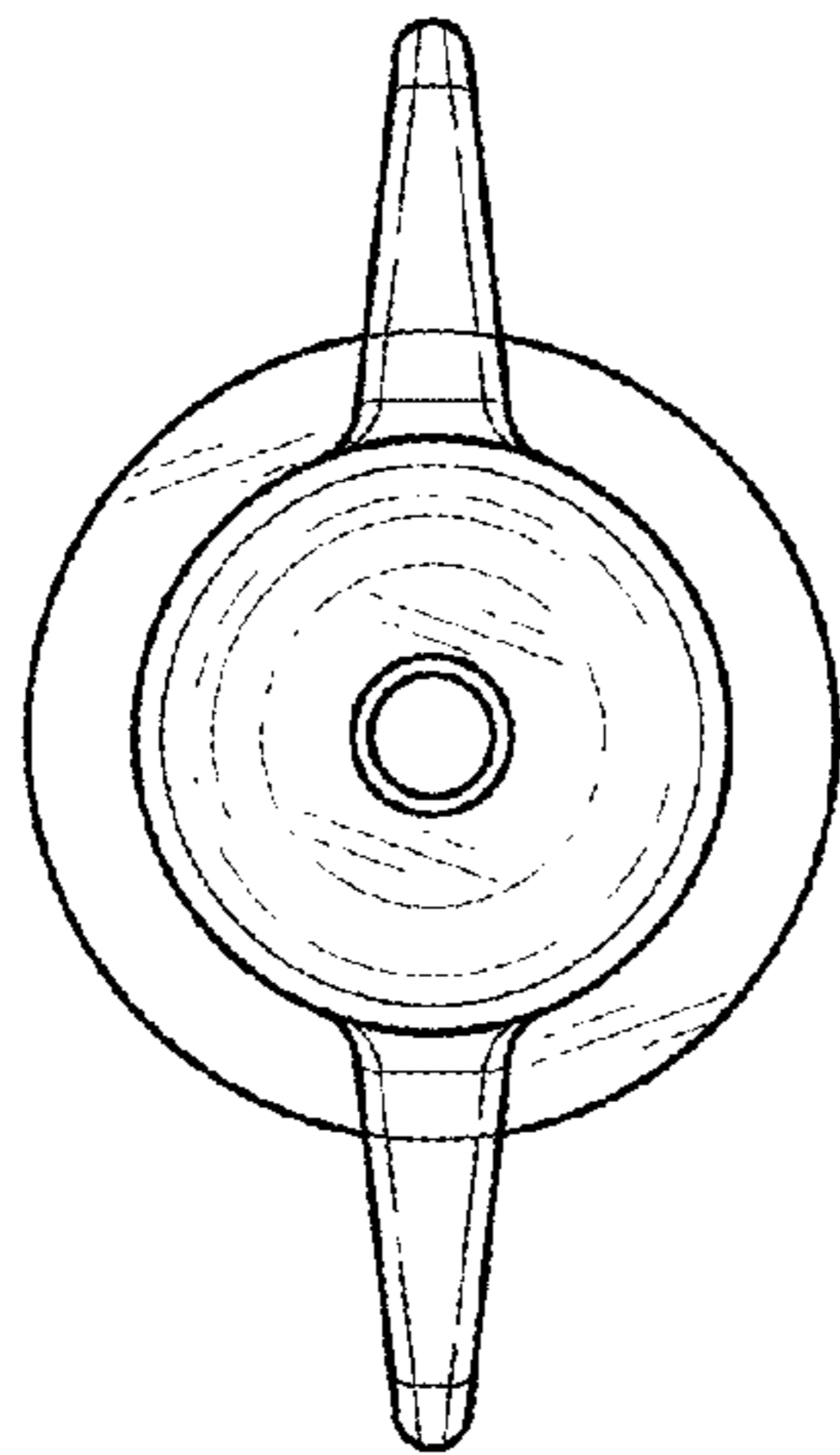


FIG. 6

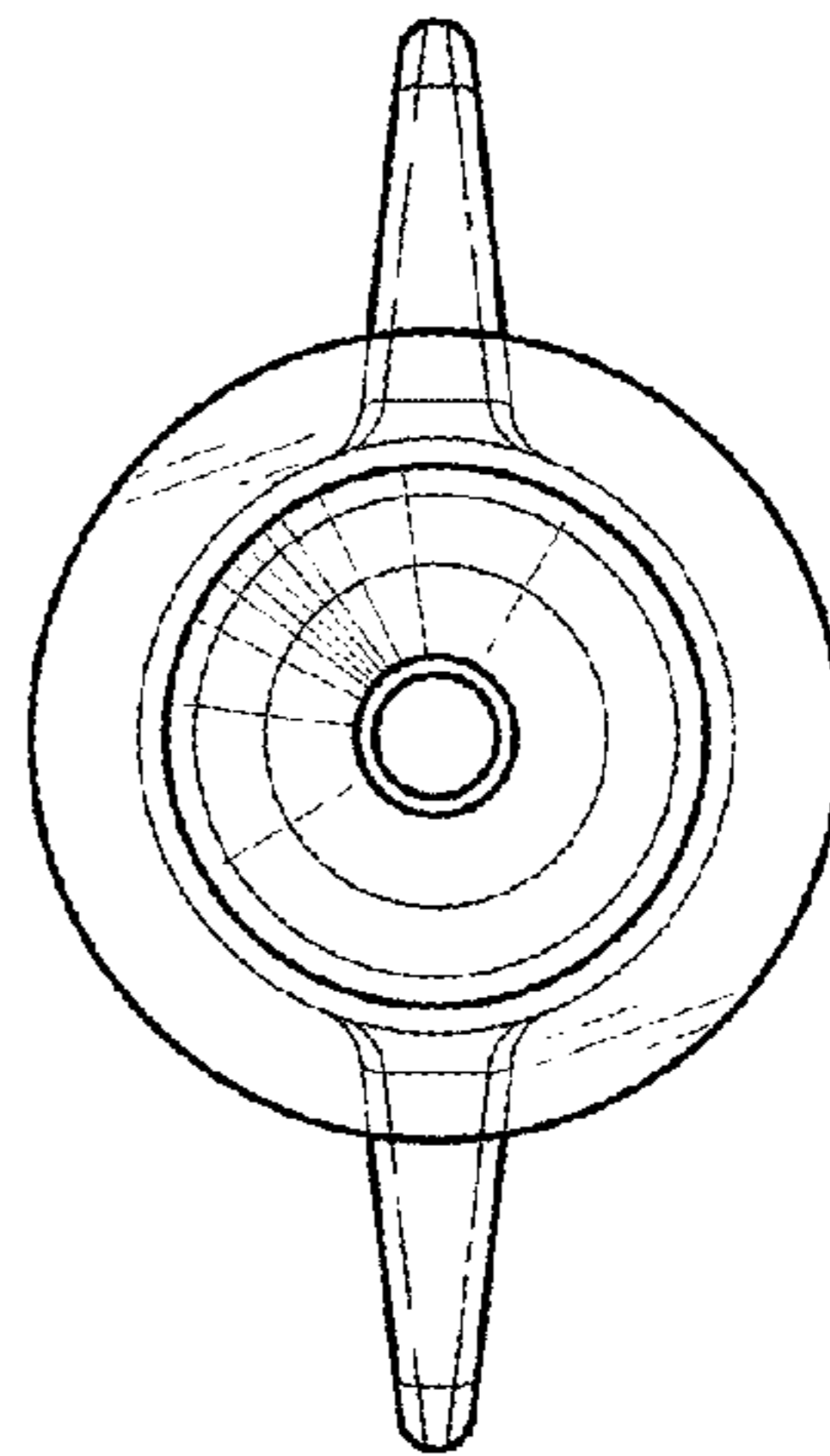


FIG. 7

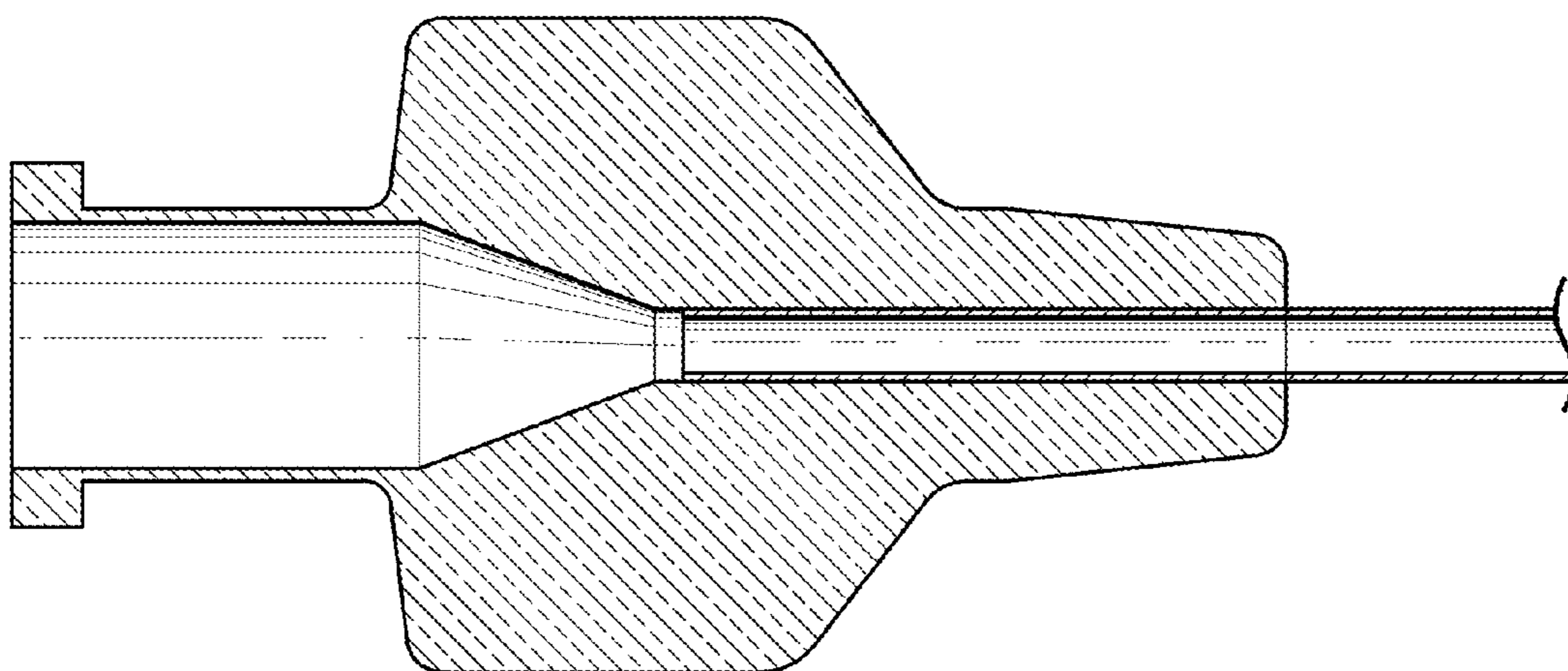


FIG. 8