



US00D752210S

(12) **United States Design Patent**
Amend Kwasnik et al.

(10) **Patent No.:** **US D752,210 S**

(45) **Date of Patent:** **** Mar. 22, 2016**

(54) **MEDICAL INJECTOR PEN**

A61M 2005/2407; A61M 2005/2492; A61M 2205/581; A61M 2205/582

(71) Applicant: **Merck Sharp & Dohme Corp.**,
Rahway, NJ (US)

See application file for complete search history.

(72) Inventors: **Angela M. Amend Kwasnik**, Metuchen, NJ (US); **Benjamin R. Bartfeld**, West Orange, NJ (US); **Peter Basile**, Bloomsbury, NJ (US); **Jeffrey C. Givand**, North Wales, PA (US); **Philip G. Green**, Weehawken, NJ (US); **Sharad Gupta**, Madison, NJ (US); **Christin L. O'Neill**, Philadelphia, PA (US); **Steven Carl Persak**, Lebanon, NJ (US); **Robert Stianchi**, Hillsborough, NJ (US); **Ari Tao Adler**, Cambridge, MA (US); **Florian Altmann**, München (DE); **Thomas Junk**, München (DE); **Florian Kössler**, München (DE); **Martin Meier**, München (DE); **Scott R. Mackie**, New Haven, CT (US); **Pernilla Danielsson**, Stockholm (SE)

(56) **References Cited**

U.S. PATENT DOCUMENTS

1,686,055	A	10/1928	Whiteside
D147,579	S	9/1947	Campbell
D279,504	S	7/1985	Tump
D298,653	S	11/1988	Maietta

(Continued)

Primary Examiner — David Muller

Assistant Examiner — Nathan Johnston

(74) *Attorney, Agent, or Firm* — John David Reilly; Immac Thampoe

(73) Assignee: **Merck Sharp & Dohme Corp.**,
Rahway, NJ (US)

(**) Term: **14 Years**

(21) Appl. No.: **29/500,648**

(22) Filed: **Aug. 27, 2014**

(51) **LOC (10) Cl.** **24-02**

(52) **U.S. Cl.**
USPC **D24/113**

(58) **Field of Classification Search**
USPC D24/112–114, 127–131, 133, 186;
606/181, 185; 604/264, 272, 115, 232,
604/187, 158, 164.08, 192, 263, 163, 181,
604/184, 198, 227; 600/101, 139, 143;
128/200.24, 207.14, 207.15;
D19/115–123, 177, 193
CPC A61M 5/3156; A61M 5/31591; A61M
5/3155; A61M 5/3157; A61M 5/24; A61M
5/31501; A61M 5/31551; A61M 5/31585;

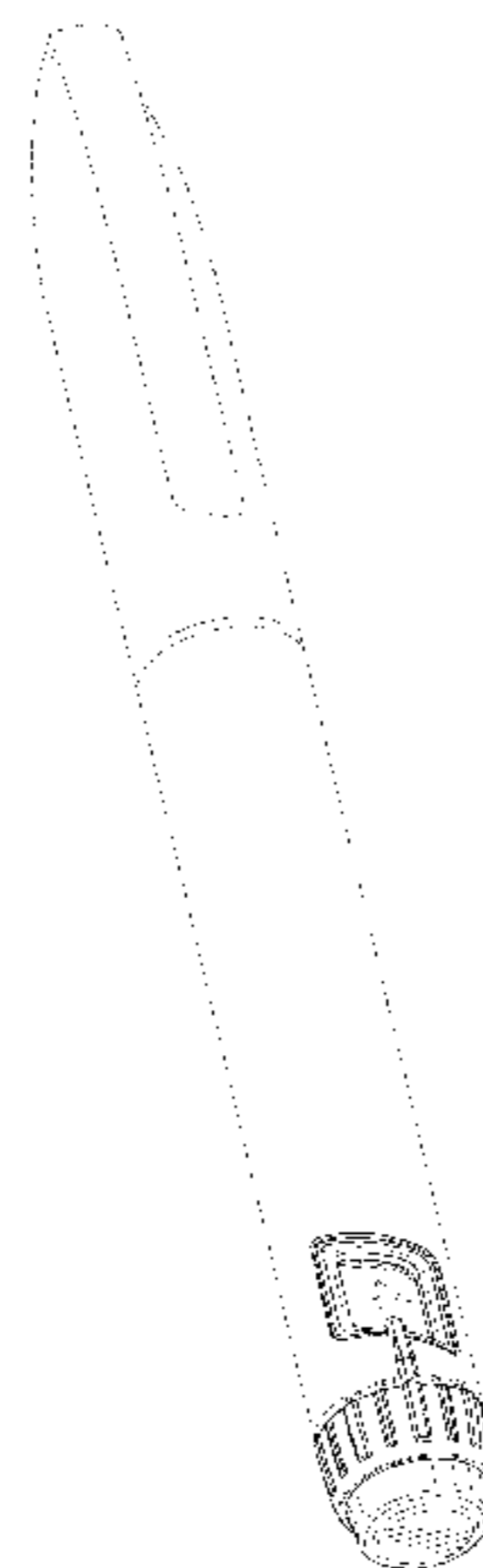
(57) **CLAIM**

The ornamental design for a medical injector pen, as shown and described.

DESCRIPTION

FIG. 1 is a perspective view of a medical injector pen showing our new design;
FIG. 2 is a front elevational view thereof;
FIG. 3 is a left side elevational view thereof;
FIG. 4 is a right side elevational view thereof;
FIG. 5 is a rear elevational view thereof;
FIG. 6 is a top plan view thereof;
FIG. 7 is a bottom plan view thereof;
FIG. 8 is an enlarged fragmentary view of the encircled portion labeled as "8" in FIG. 2.
FIG. 9 is an enlarged fragmentary view of the encircled portion labeled as "9" in FIG. 3; and,
FIG. 10 is an enlarged fragmentary view of the encircled portion labeled as "10" in FIG. 4.
The features shown in broken lines depict environmental subject matter only and form no part of the claimed design.

1 Claim, 9 Drawing Sheets



(56)

References Cited

U.S. PATENT DOCUMENTS

D320,084 S 9/1991 Stewart et al.
 D369,384 S 4/1996 Yasoshima
 D479,600 S 9/2003 Bainton
 D479,747 S * 9/2003 Bainton D19/164
 D479,748 S 9/2003 Tyce
 D490,150 S 5/2004 Hawley et al.
 D491,263 S 6/2004 Hawley et al.
 D492,027 S 6/2004 Tyce et al.
 D492,405 S 6/2004 Bainton
 D499,485 S 12/2004 Tyce
 D501,253 S 1/2005 Bainton
 D505,490 S 5/2005 Tyce
 D506,221 S 6/2005 Huang
 D540,465 S 4/2007 Bainton
 D542,914 S 5/2007 Tanghoj
 D542,978 S 5/2007 Bortolotti
 D567,852 S 4/2008 Qiu et al.
 D568,988 S 5/2008 Galbraith
 D598,539 S 8/2009 Tyce
 D599,008 S 8/2009 Tyce
 D599,009 S 8/2009 Tyce
 D599,010 S 8/2009 Tyce
 D599,011 S 8/2009 Tyce
 D600,794 S 9/2009 Tyce
 D600,795 S 9/2009 Tyce
 D606,650 S 12/2009 Tyce
 D608,442 S 1/2010 Tyce
 D610,252 S 2/2010 Tyce
 D610,676 S 2/2010 Tyce

D610,677 S 2/2010 Tyce
 D612,486 S 3/2010 Van der Stappen
 7,674,246 B2 3/2010 Gillespie et al.
 D619,244 S 7/2010 Van der Stappen
 D622,374 S 8/2010 Julian et al.
 D626,216 S 10/2010 Tyce
 D627,061 S 11/2010 Van der Stappen
 D629,509 S 12/2010 Julian et al.
 D687,543 S * 8/2013 Pala D24/113
 D688,790 S * 8/2013 Guarraia D24/113
 D688,791 S * 8/2013 Guarraia D24/113
 D688,792 S 8/2013 Guarraia et al.
 D696,774 S 12/2013 Guarraia et al.
 D696,775 S 12/2013 Guarraia et al.
 D703,314 S * 4/2014 Schneider D24/113
 9,005,171 B2 * 4/2015 Jones A61M 5/24
 604/189
 9,089,651 B2 * 7/2015 Butler A61M 5/31525
 2004/0054327 A1 3/2004 Gillespie
 2012/0302965 A1 * 11/2012 Cronenberg A61M 5/3202
 604/198
 2013/0245563 A1 * 9/2013 Mercer A61M 5/3294
 604/191
 2015/0032059 A1 * 1/2015 Allerdings G06F 19/3468
 604/189
 2015/0038916 A1 * 2/2015 Moller A61M 5/31525
 604/211
 2015/0051550 A1 * 2/2015 Holmqvist A61M 5/2033
 604/187
 2015/0224266 A1 * 8/2015 Plumptre A61M 5/24
 604/189

* cited by examiner

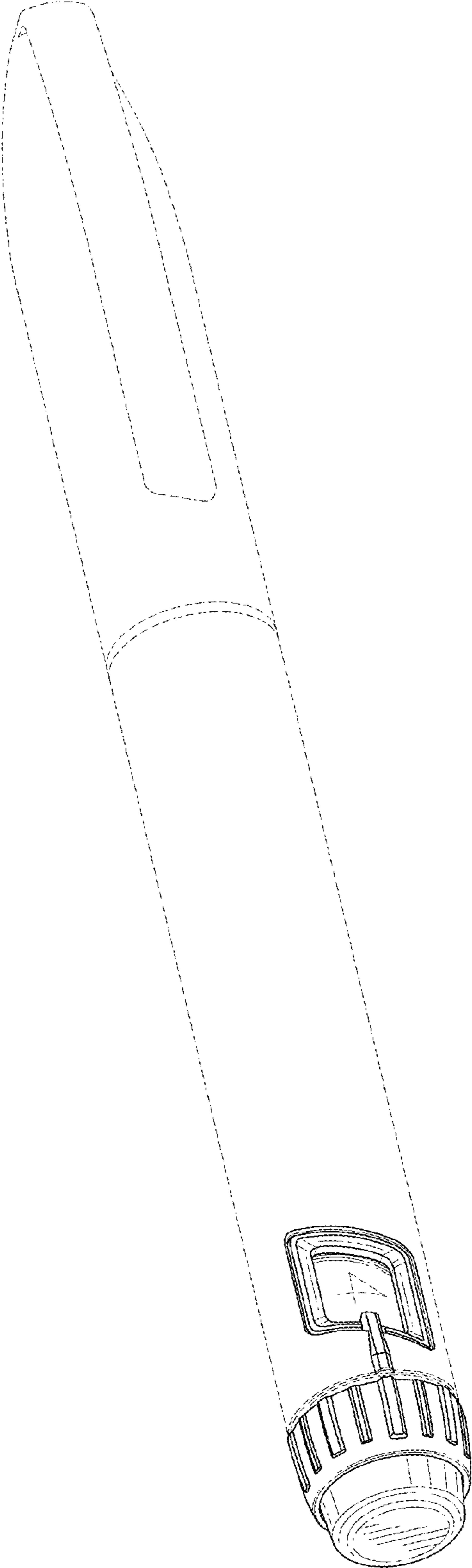


FIG. 1

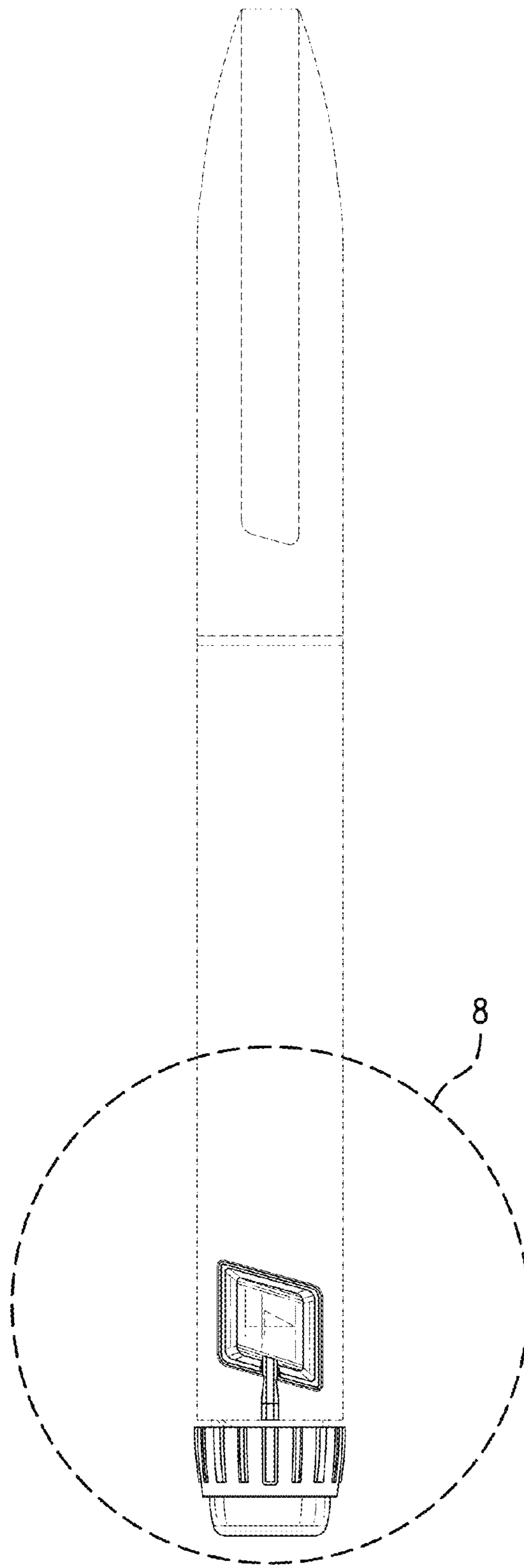


FIG. 2

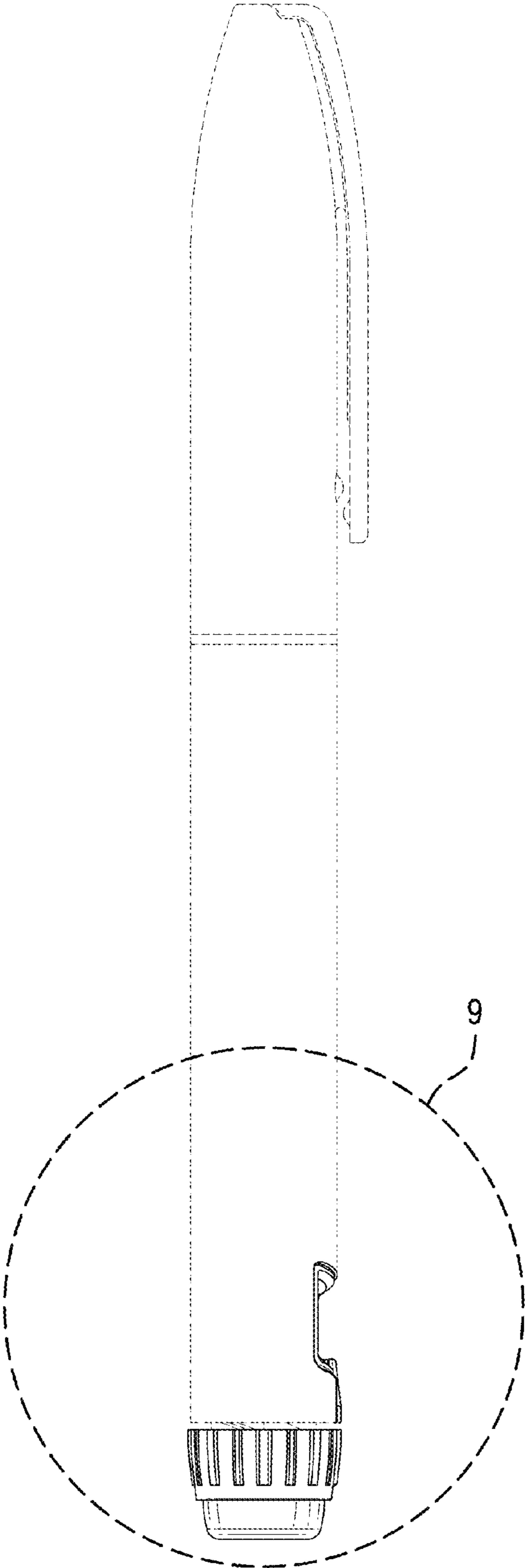


FIG. 3

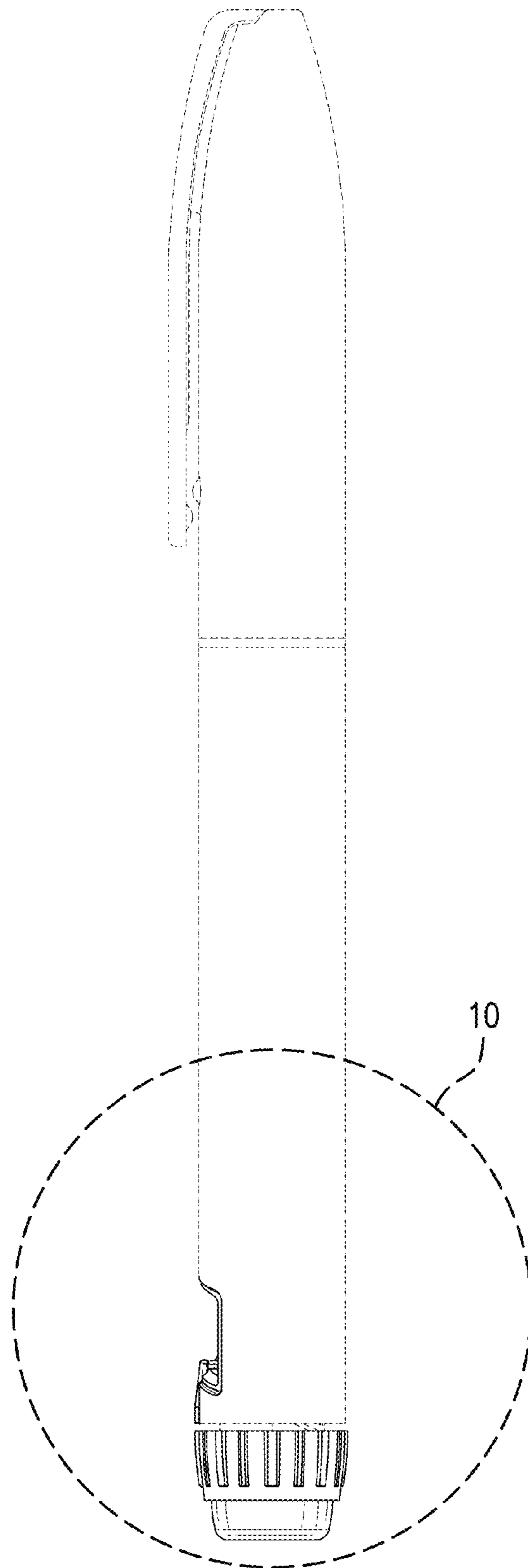


FIG. 4

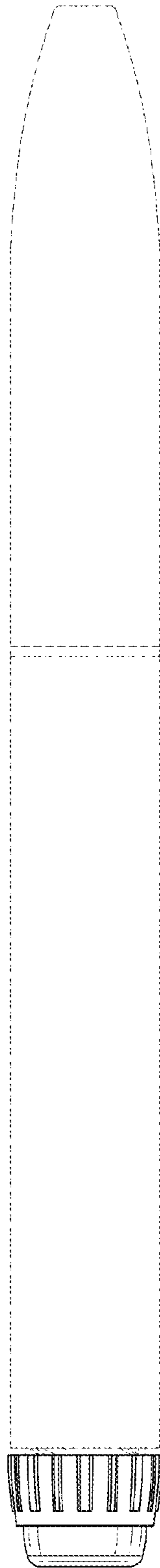


FIG. 5

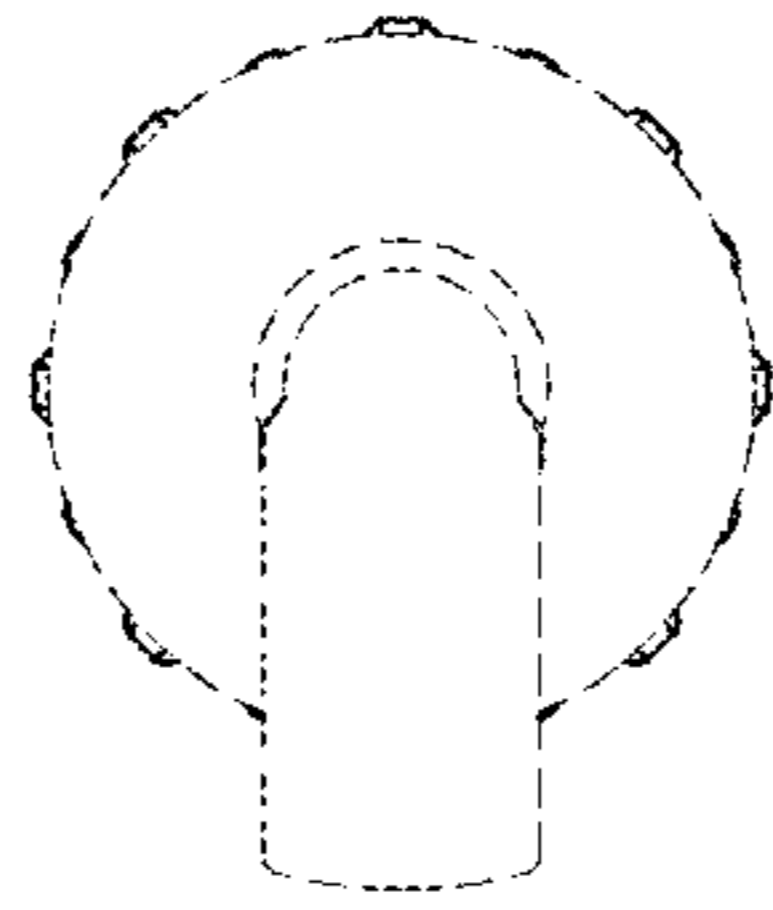


FIG. 6

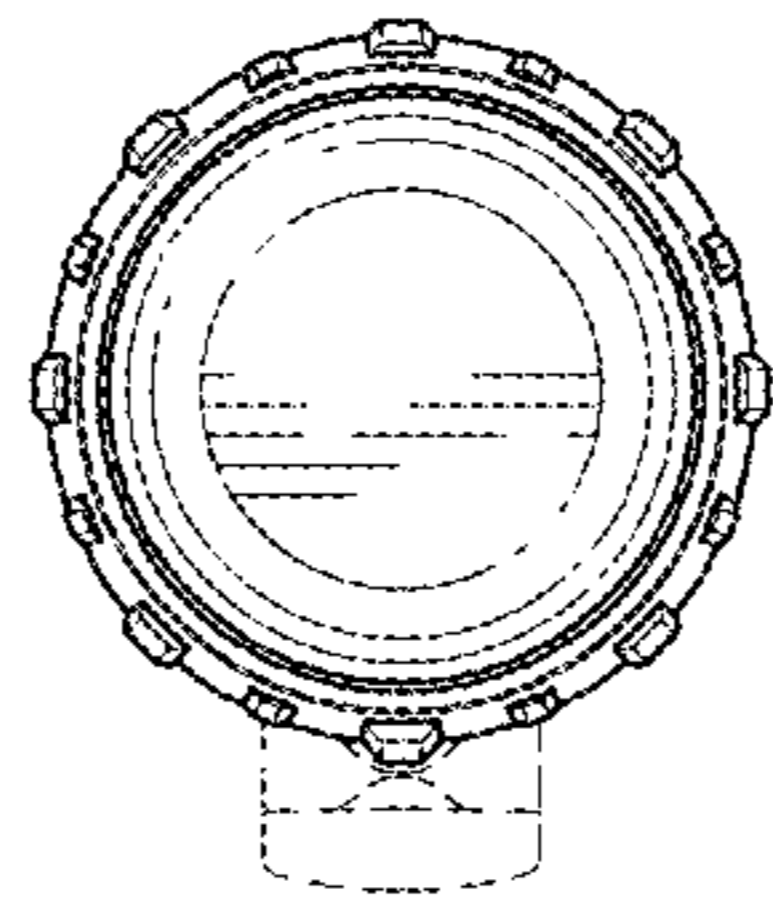


FIG. 7

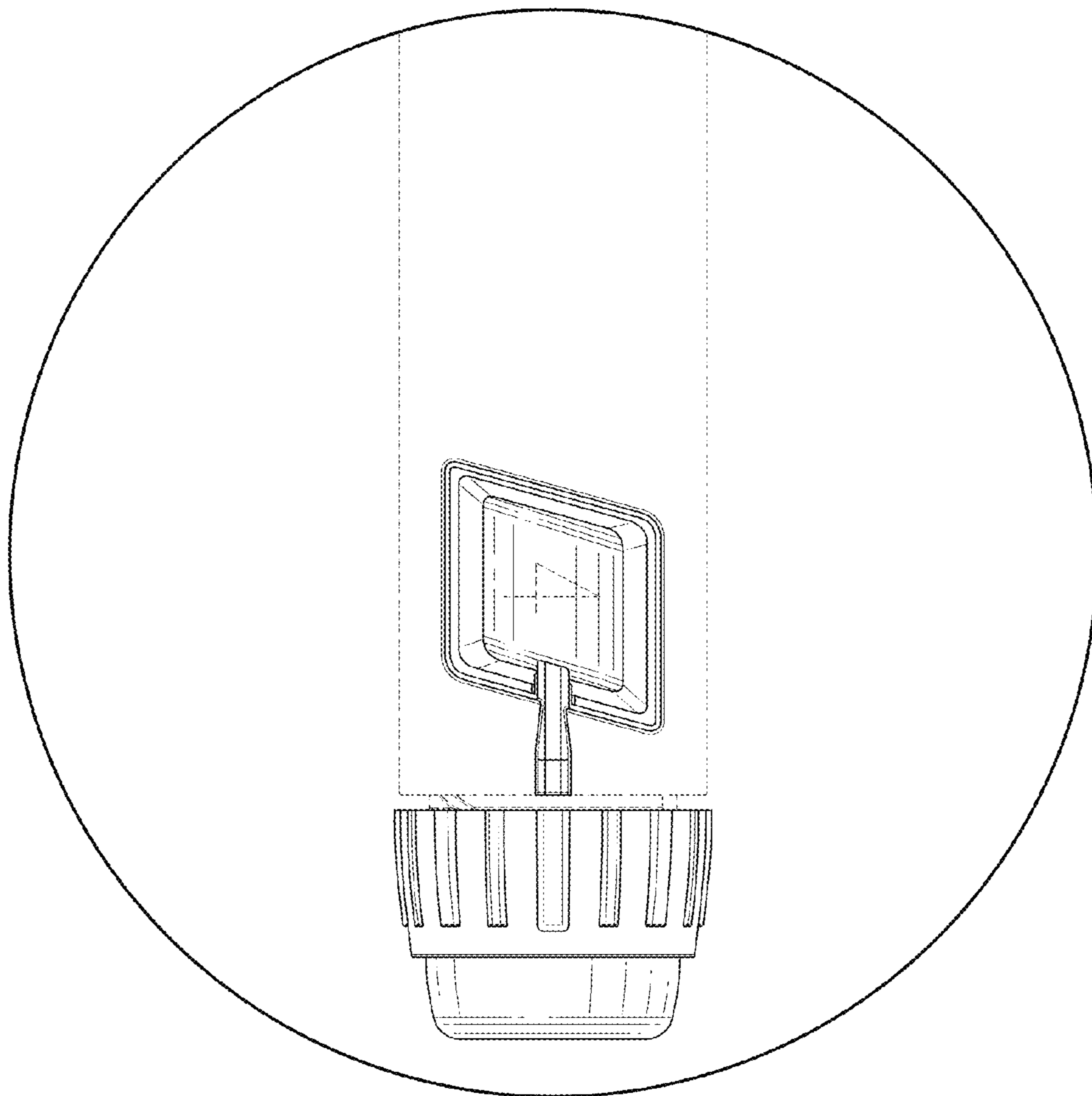


FIG. 8

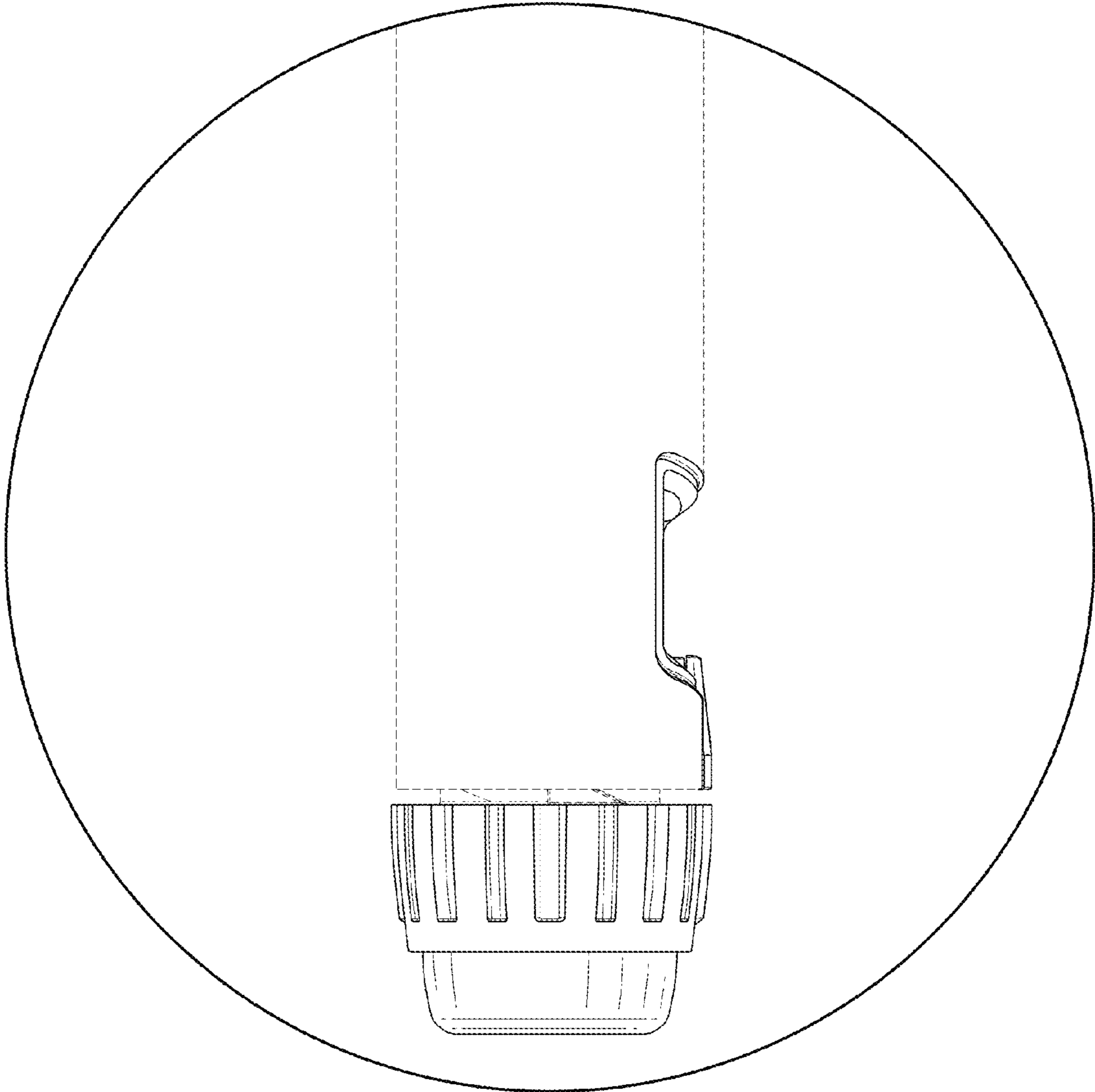


FIG.9

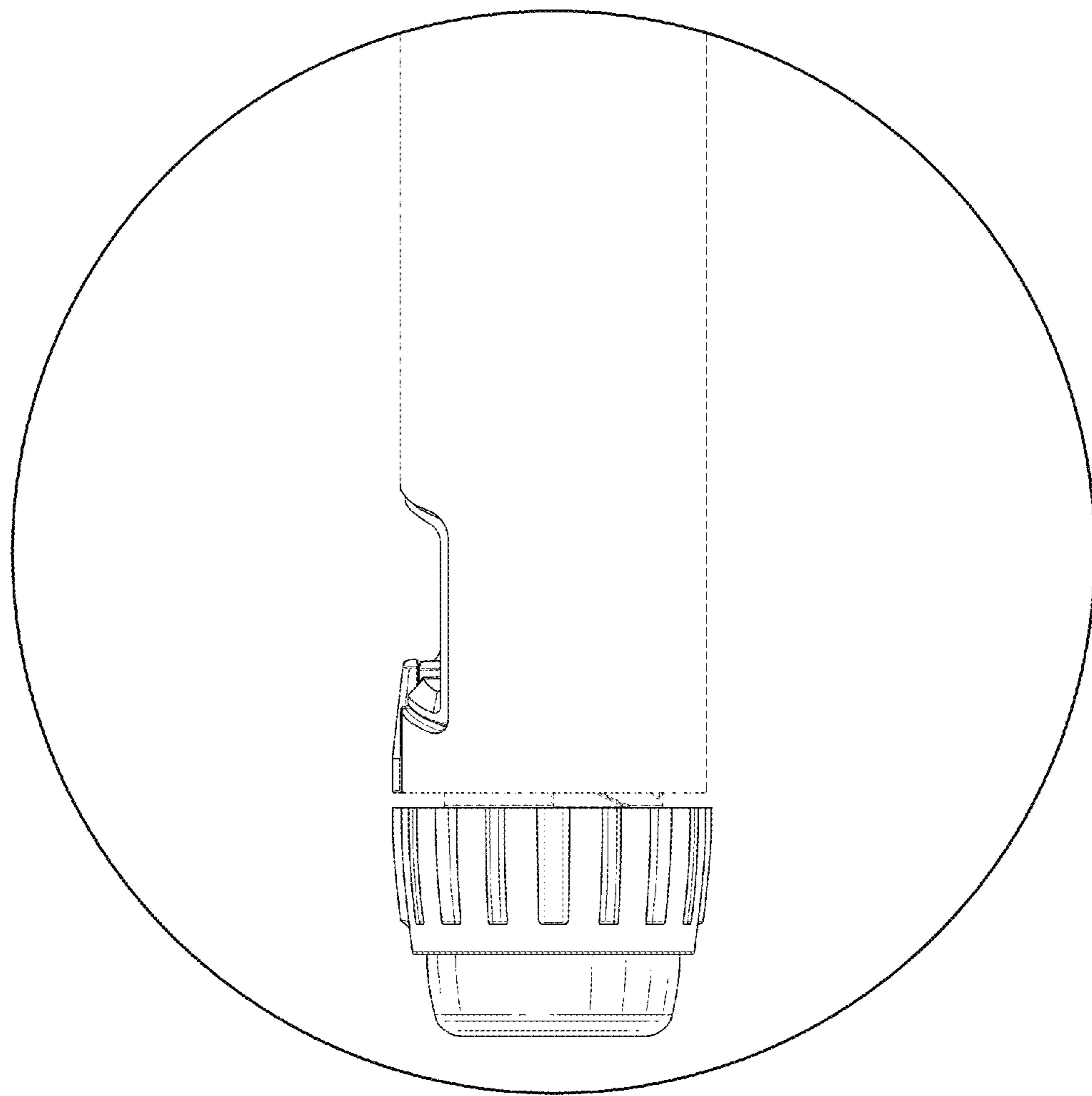


FIG. 10