



US00D752206S

(12) **United States Design Patent**
Genord et al.

(10) **Patent No.:** **US D752,206 S**
(45) **Date of Patent:** **** Mar. 22, 2016**

(54) **DRY POWDER NEBULIZER DEVICE**

(71) Applicant: **MicroDose Therapeutx, Inc.**,
Monmouth Junction, NJ (US)

(72) Inventors: **Dan Genord**, South Lyon, MI (US); **Jeff DeBoer**, Ann Arbor, MI (US)

(73) Assignee: **MicroDose Therapeutx, Inc.**,
Monmouth Junction, NJ (US)

(**) Term: **14 Years**

(21) Appl. No.: **29/500,220**

(22) Filed: **Aug. 22, 2014**

(51) **LOC (10) Cl.** **29-02**

(52) **U.S. Cl.**
USPC **D24/110**

(58) **Field of Classification Search**
USPC D24/107, 108, 110, 110.1, 164
CPC A61M 15/0065; A61M 15/0091;
A61M 15/0021; A61M 15/0026; A61M 15/00;
A61M 11/00; A61M 11/02; A61M 11/04
See application file for complete search history.

(56) **References Cited**

U.S. PATENT DOCUMENTS

- D191,733 S * 11/1961 Schmal D24/110
- 3,045,670 A * 7/1962 Hirtz A61M 15/00
128/203.27
- D198,487 S * 6/1964 Ferris D24/110
- 3,695,267 A * 10/1972 Hirtz A61M 15/00
128/203.17
- D339,416 S * 9/1993 Maher D24/110
- 5,392,768 A * 2/1995 Johansson A61M 15/00
128/200.14
- D363,775 S * 10/1995 Hobbs D24/110
- 5,469,750 A * 11/1995 Lloyd A61M 15/00
73/1.34
- D441,071 S * 4/2001 Attolini D24/110
- D444,226 S * 6/2001 Geert-Jensen D24/110
- 6,283,118 B1 * 9/2001 Lu A61M 11/005
128/200.16
- D558,330 S * 12/2007 Chang D24/110

- D585,977 S * 2/2009 Brown D24/110
- D687,945 S * 8/2013 Brewer D24/110
- D687,946 S * 8/2013 Brewer D24/110
- D687,947 S * 8/2013 Brewer D24/110
- 8,511,301 B2 * 8/2013 Nobutani A61M 15/0065
128/203.12
- 8,616,195 B2 * 12/2013 Power A61M 15/0085
128/200.14
- 2006/0000469 A1 * 1/2006 Tseng A61M 15/00
128/200.14
- 2006/0137682 A1 * 6/2006 Tseng A61M 15/00
128/200.14

(Continued)

OTHER PUBLICATIONS

Cook, et al., "Phase 1 Studies of MDT-637: Antiviral Treatment for Respiratory Syncytial Virus Infection," MicroDose Therapeutx, Inc., poster from RSV, 8th Annual Respiratory Syncytial Virus Symposium, Santa Fe, New Mexico, 2012.

(Continued)

Primary Examiner — Barbara Fox
Assistant Examiner — Lilyana Bekic
(74) *Attorney, Agent, or Firm* — RatnerPrestia

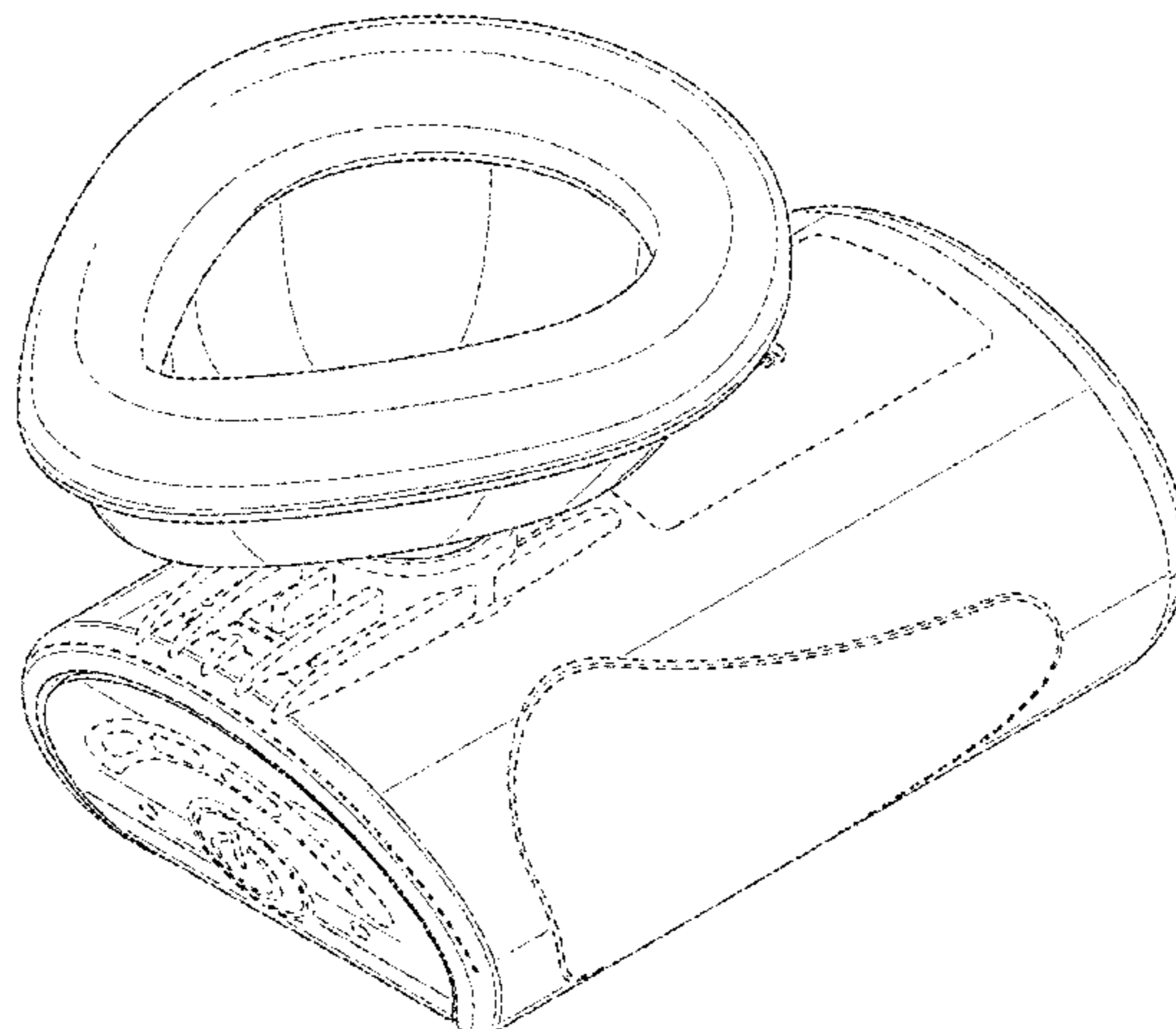
(57) **CLAIM**

The ornamental design for a dry powder nebulizer device, as shown and described.

DESCRIPTION

FIG. 1 is a perspective view from the top, front and right corner of a dry powder nebulizer device; FIG. 2 is a top plan view thereof; FIG. 3 is a bottom plan view thereof; FIG. 4 is a left elevation view thereof; FIG. 5 is a right elevation view thereof; FIG. 6 is a front elevation view thereof; and, FIG. 7 is a rear elevation view thereof. The broken lines in the drawings illustrate portions of the dry powder nebulizer device which form no part of the claimed design.

1 Claim, 7 Drawing Sheets



(56)

References Cited

U.S. PATENT DOCUMENTS

2007/0227534 A1* 10/2007 Nobutani A61M 15/0065
128/200.14
2007/0272169 A1* 11/2007 Barney A61D 7/04
119/831
2008/0022998 A1* 1/2008 Hamano A61M 11/041
128/200.14
2009/0050142 A1* 2/2009 Hamano A61M 15/02
128/200.23
2009/0107492 A1* 4/2009 Ooida A61M 11/005
128/200.21
2010/0043792 A1* 2/2010 Takei A61M 15/009
128/203.15
2010/0154793 A1* 6/2010 Kobayashi A61M 15/025
128/203.14

2010/0319687 A1* 12/2010 Esaki A61M 11/06
128/200.23
2012/0160241 A1* 6/2012 Oliva A61M 15/0028
128/203.15
2012/0285452 A1* 11/2012 Amirav A61M 16/0825
128/203.29

OTHER PUBLICATIONS

“Teva R&D in Focus—Respiratory.” Webinar for the investment community, Oct. 8, 2013, downloaded from <http://www.sec.gov/Archives/edgar/data/818686/000115752313004684/a50725085ex99-1.htm>.

* cited by examiner

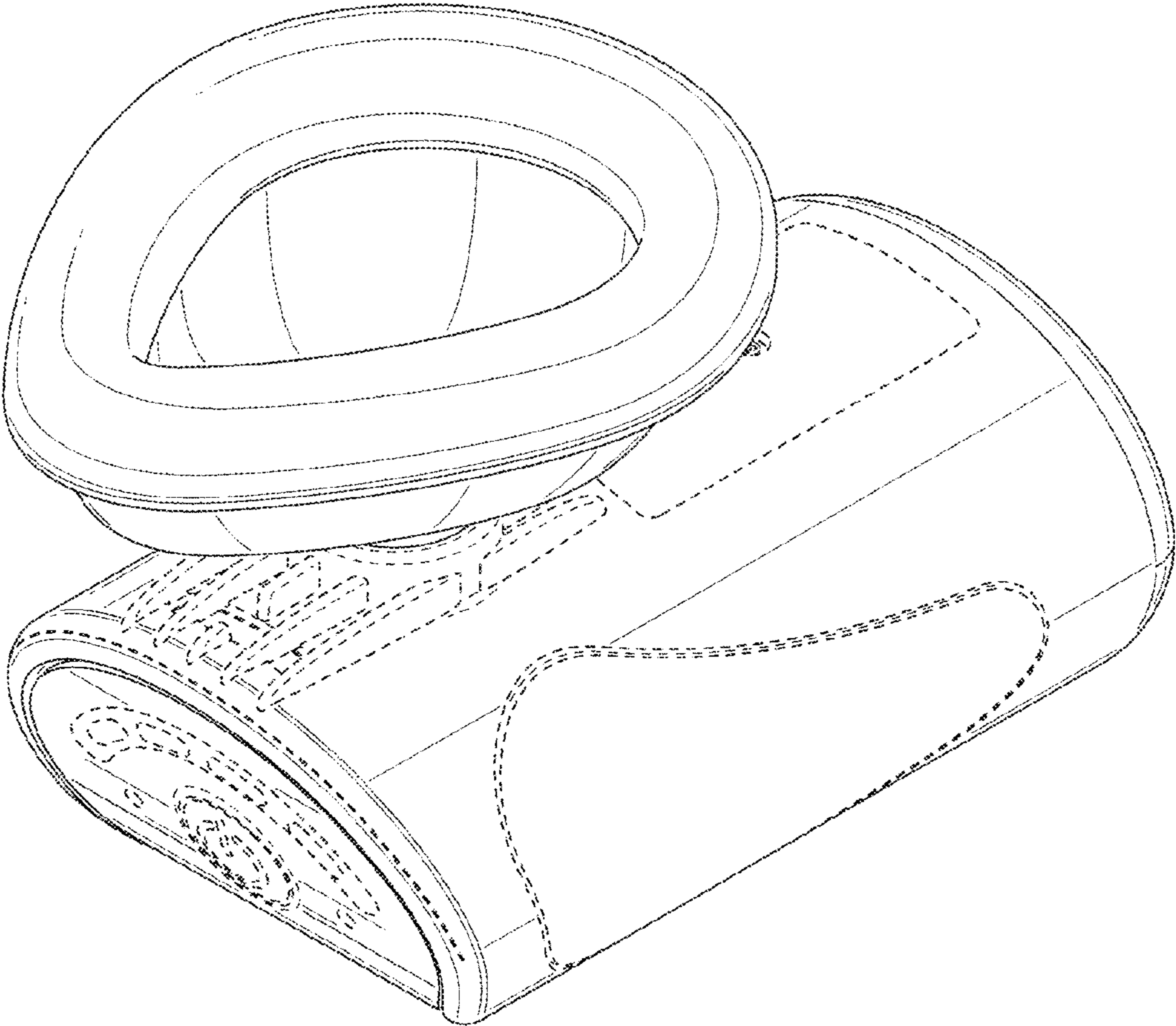


FIG. 1

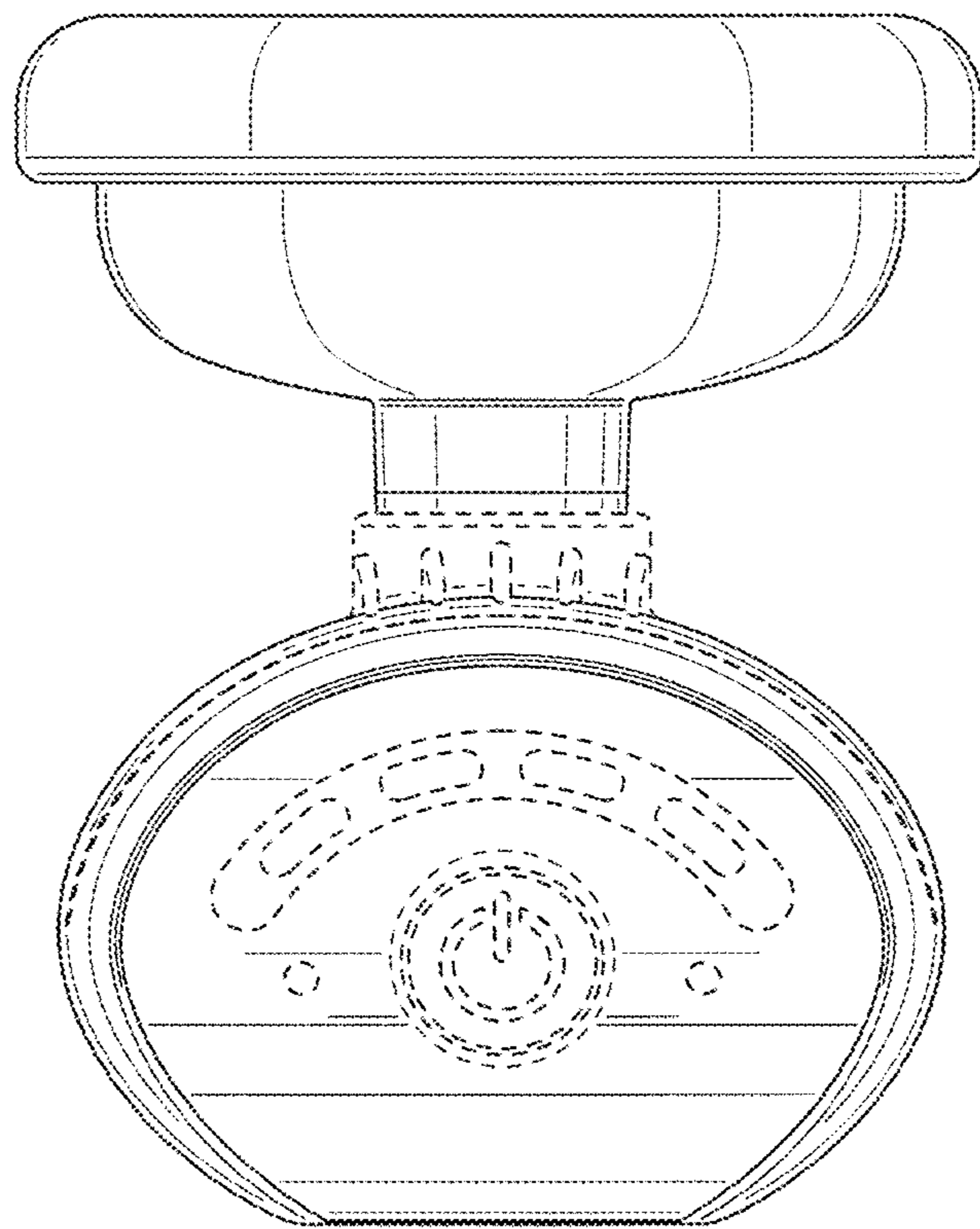


FIG. 2

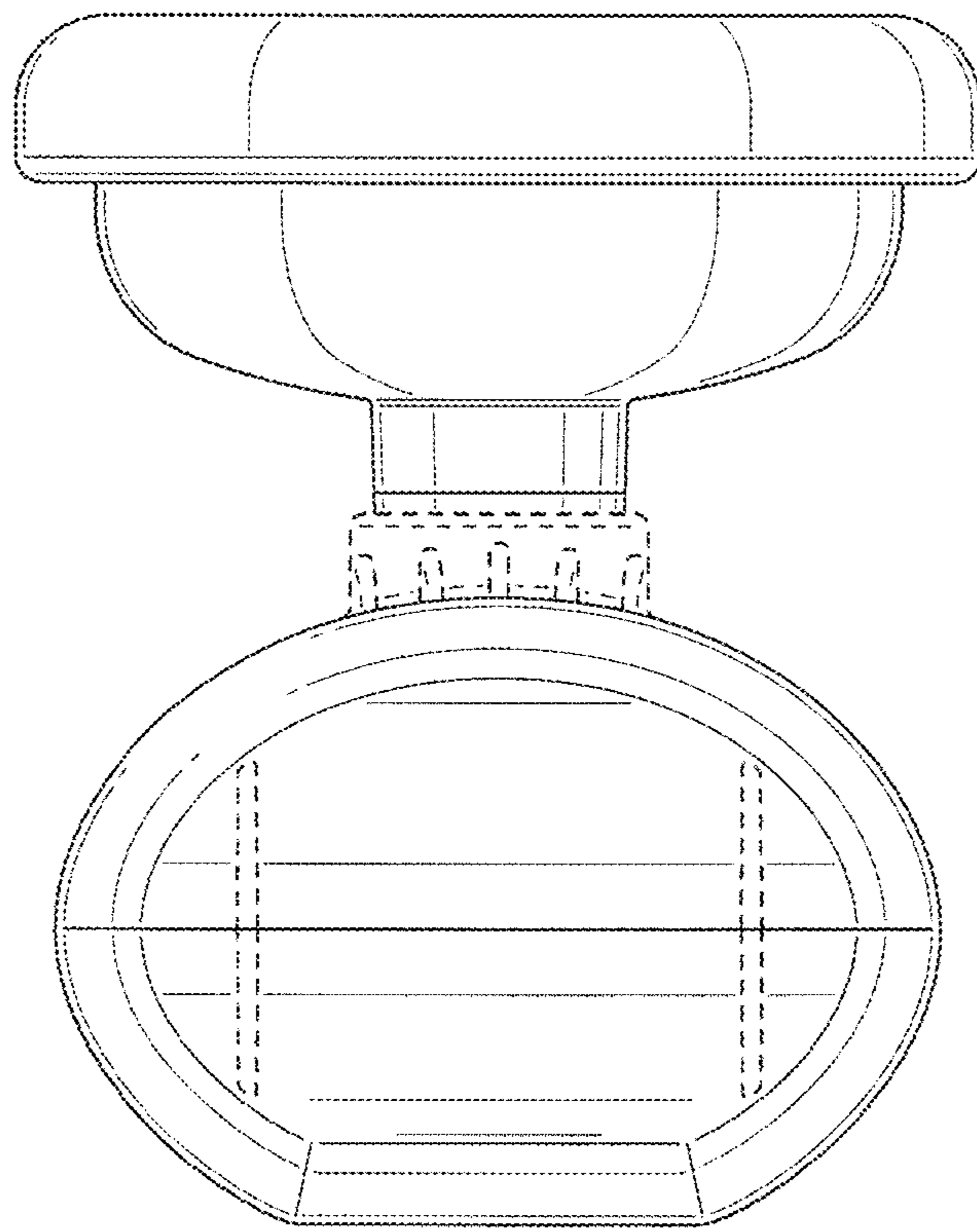


FIG. 3

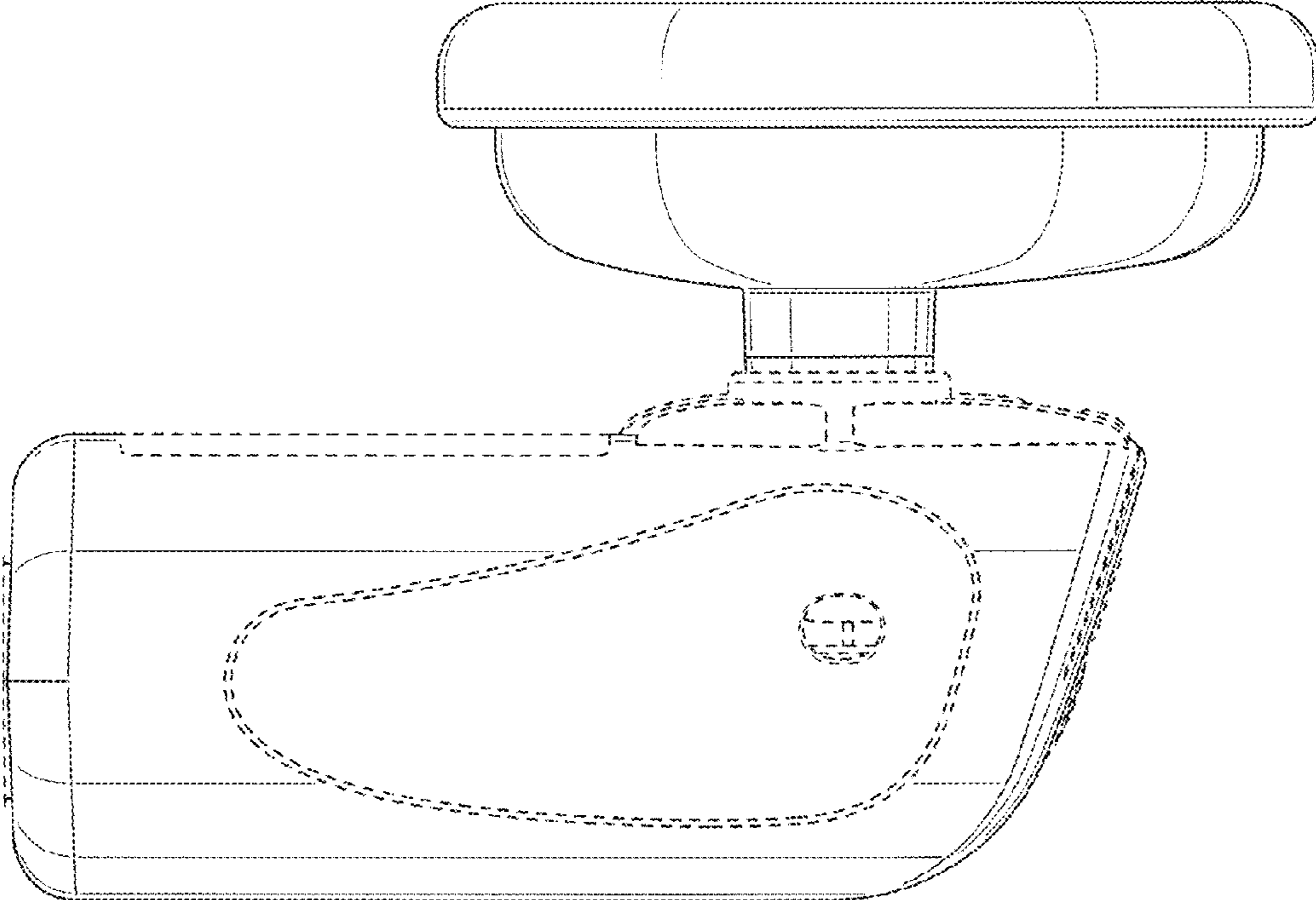


FIG. 4

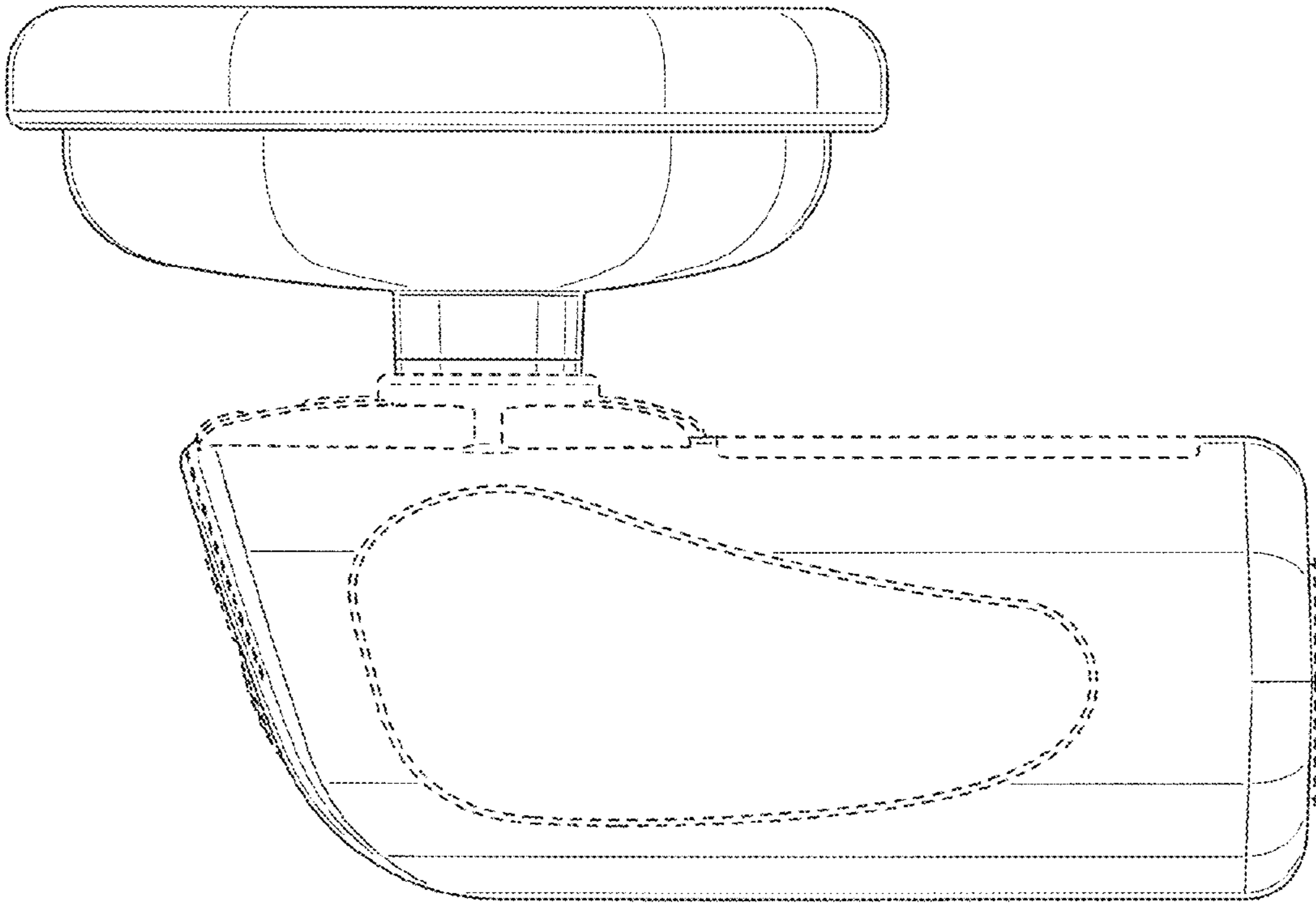


FIG. 5

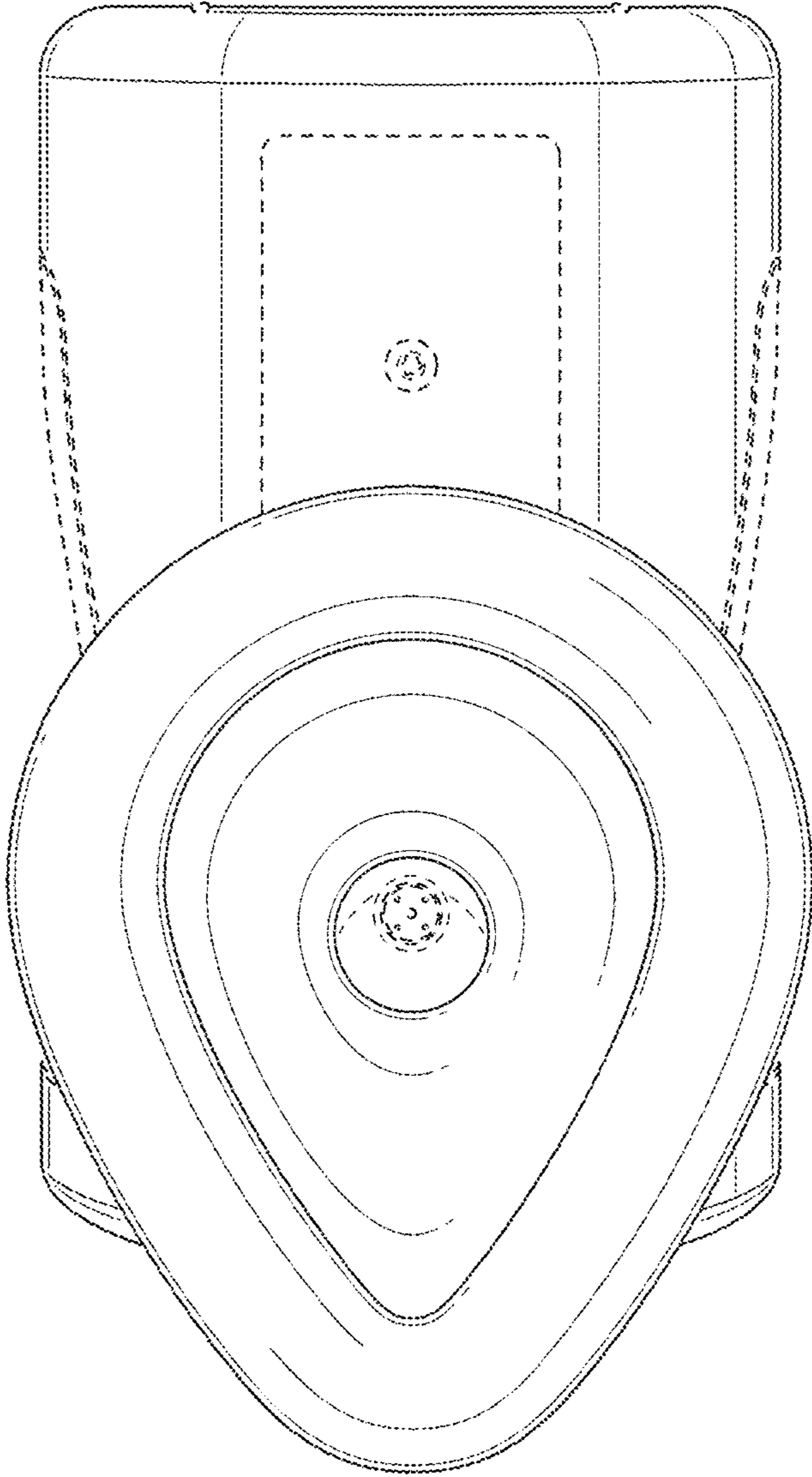


FIG. 6

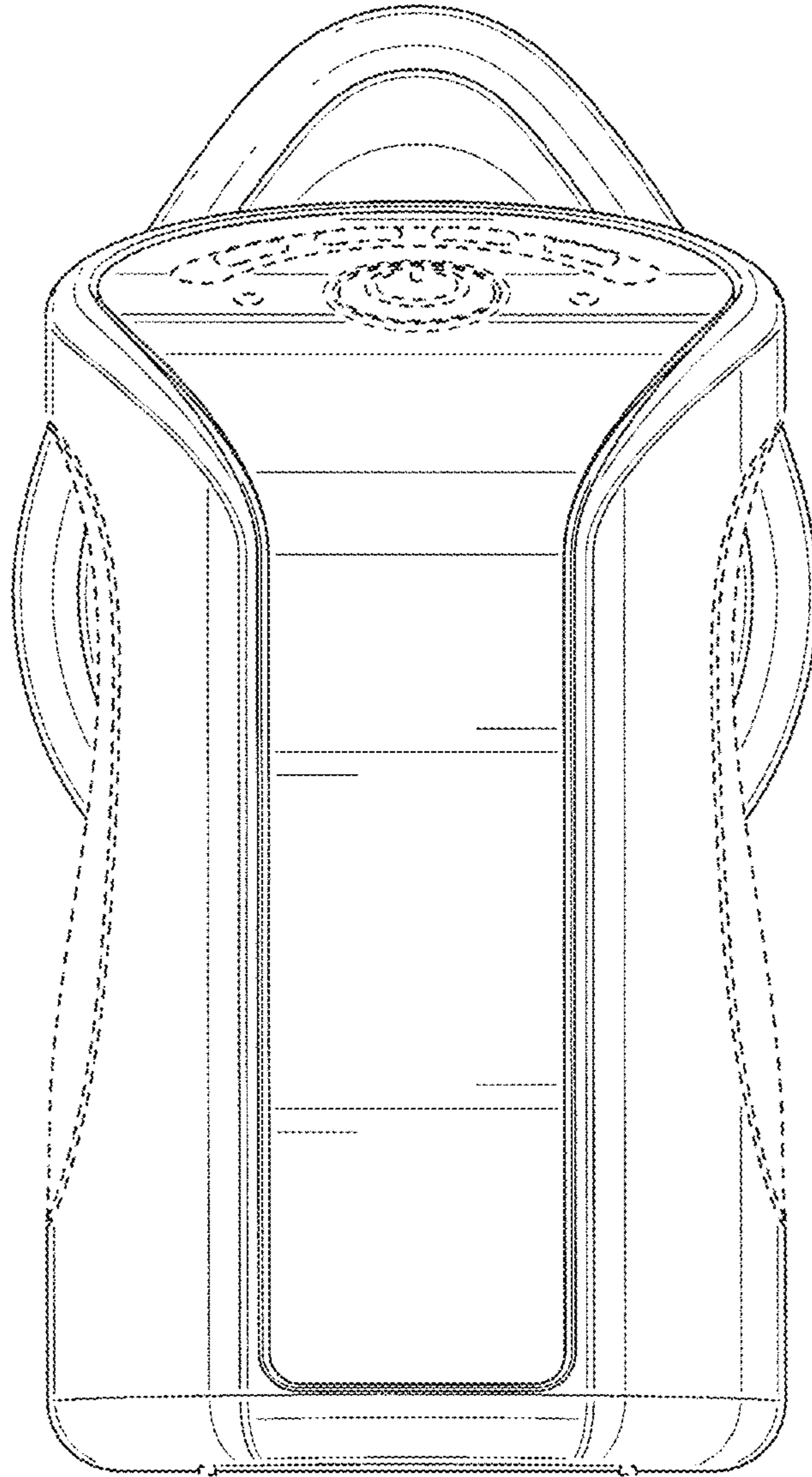


FIG. 7