



US00D752203S

(12) **United States Design Patent**  
**Sung**

(10) **Patent No.:** **US D752,203 S**  
(45) **Date of Patent:** **\*\* Mar. 22, 2016**

(54) **RESPIRATORY AIR DELIVERY DEVICE**

(71) Applicant: **SLS MEDICAL TECHNOLOGY CORP. LTD.**, Taichung (TW)

(72) Inventor: **Ching-Lung Sung**, Taichung (TW)

(73) Assignee: **SLS MEDICAL TECHNOLOGY CORP. LTD.**, Taichung (TW)

(\*\*) Term: **14 Years**

(21) Appl. No.: **29/518,829**

(22) Filed: **Feb. 27, 2015**

(51) **LOC (10) Cl.** ..... **24-01**

(52) **U.S. Cl.**  
USPC ..... **D24/108; D24/110**

(58) **Field of Classification Search**  
USPC ..... D24/107, 108, 110, 111, 164; D15/9  
CPC ..... A61M 11/02; A61M 16/0063; A61M  
16/0057; A61M 16/00; A61M 16/0066;  
A61M 16/16; A61M 15/002; A61M 15/0085;  
A61M 11/005; A61B 5/097  
See application file for complete search history.

(56) **References Cited**

**U.S. PATENT DOCUMENTS**

|              |        |            |       |         |
|--------------|--------|------------|-------|---------|
| D421,298 S * | 2/2000 | Kenyon     | ..... | D24/110 |
| D493,520 S * | 7/2004 | Bertinetti | ..... | D24/110 |
| D560,795 S * | 1/2008 | Lithgow    | ..... | D24/110 |
| D575,766 S * | 8/2008 | Harris     | ..... | D14/188 |
| D585,540 S * | 1/2009 | Lithgow    | ..... | D24/110 |
| D658,283 S * | 4/2012 | Burz       | ..... | D24/110 |
| D658,755 S * | 5/2012 | Lithgow    | ..... | D24/110 |
| D659,235 S * | 5/2012 | Bertinetti | ..... | D24/110 |
| D675,730 S * | 2/2013 | Lithgow    | ..... | D24/110 |

|                   |         |            |       |                            |
|-------------------|---------|------------|-------|----------------------------|
| D708,316 S *      | 7/2014  | Bertinetti | ..... | D24/110                    |
| D708,733 S *      | 7/2014  | Ng         | ..... | D24/110                    |
| D710,989 S *      | 8/2014  | Bertinetti | ..... | D24/110                    |
| 2007/0169781 A1 * | 7/2007  | Tang       | ..... | A61M 16/00<br>128/206.21   |
| 2007/0193582 A1 * | 8/2007  | Kwok       | ..... | A61M 16/142<br>128/204.18  |
| 2010/0147302 A1 * | 6/2010  | Selvarajan | ..... | A61M 16/00<br>128/204.23   |
| 2012/0145155 A1 * | 6/2012  | Peake      | ..... | A61M 16/0875<br>128/205.12 |
| 2013/0333701 A1 * | 12/2013 | Herron     | ..... | A61M 16/0875<br>128/203.27 |

\* cited by examiner

*Primary Examiner* — Barbara Fox

*Assistant Examiner* — Lilyana Bekic

(74) *Attorney, Agent, or Firm* — Muncy, Geissler, Olds & Lowe, P.C.

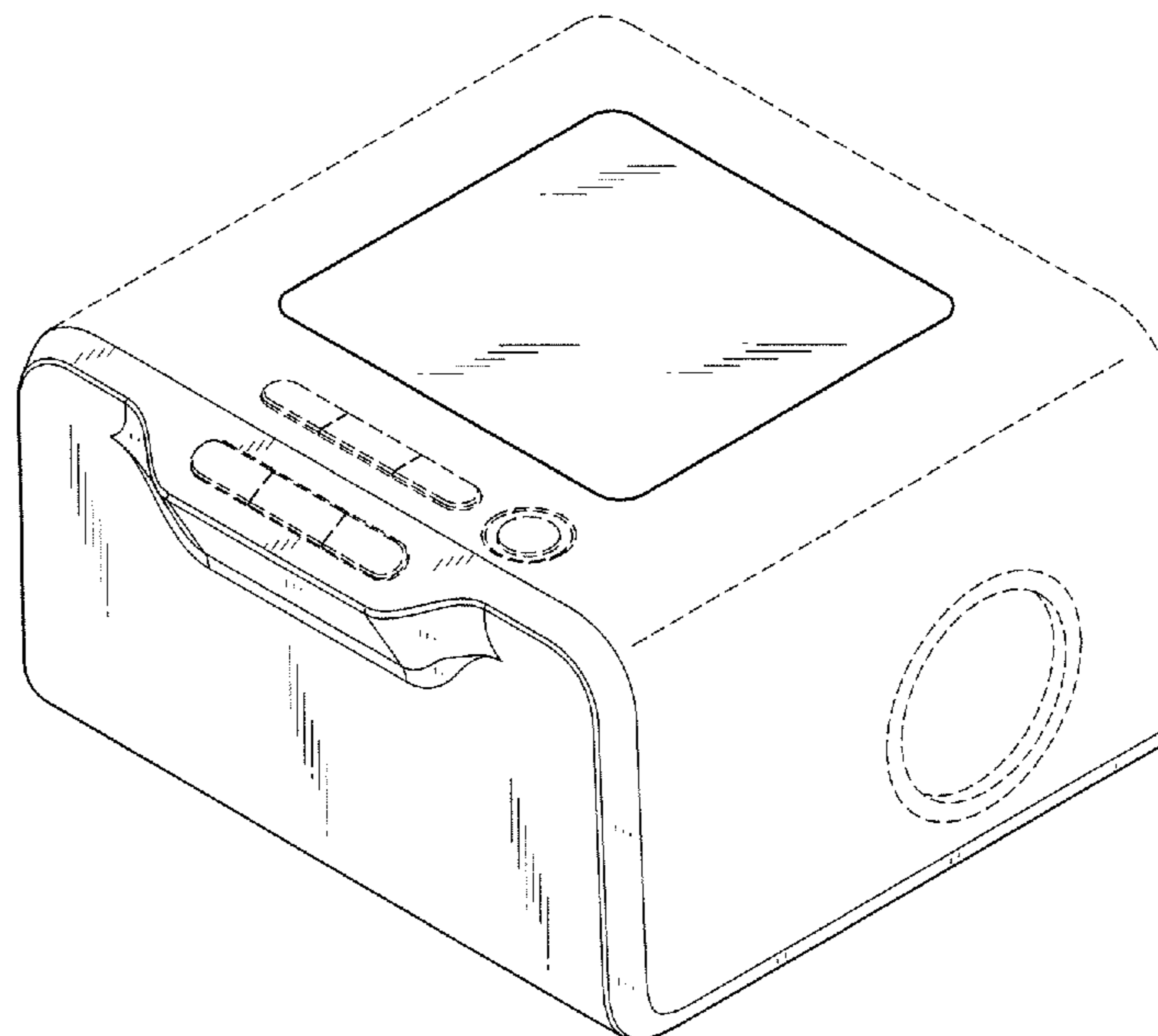
(57) **CLAIM**

I claim the ornamental design for a respiratory air delivery device, as shown and described.

**DESCRIPTION**

FIG. 1 is a perspective view of a respiratory air delivery device showing my new design;  
FIG. 2 is a front view of the present design;  
FIG. 3 is a rear view of the present design;  
FIG. 4 is a left side view of the present design;  
FIG. 5 is a right side view of the present design;  
FIG. 6 is a top view of the present design; and,  
FIG. 7 is a bottom view of the present design.  
The broken lines in the drawings illustrate portions of the respiratory air delivery device which form no part of the claimed design.

**1 Claim, 4 Drawing Sheets**



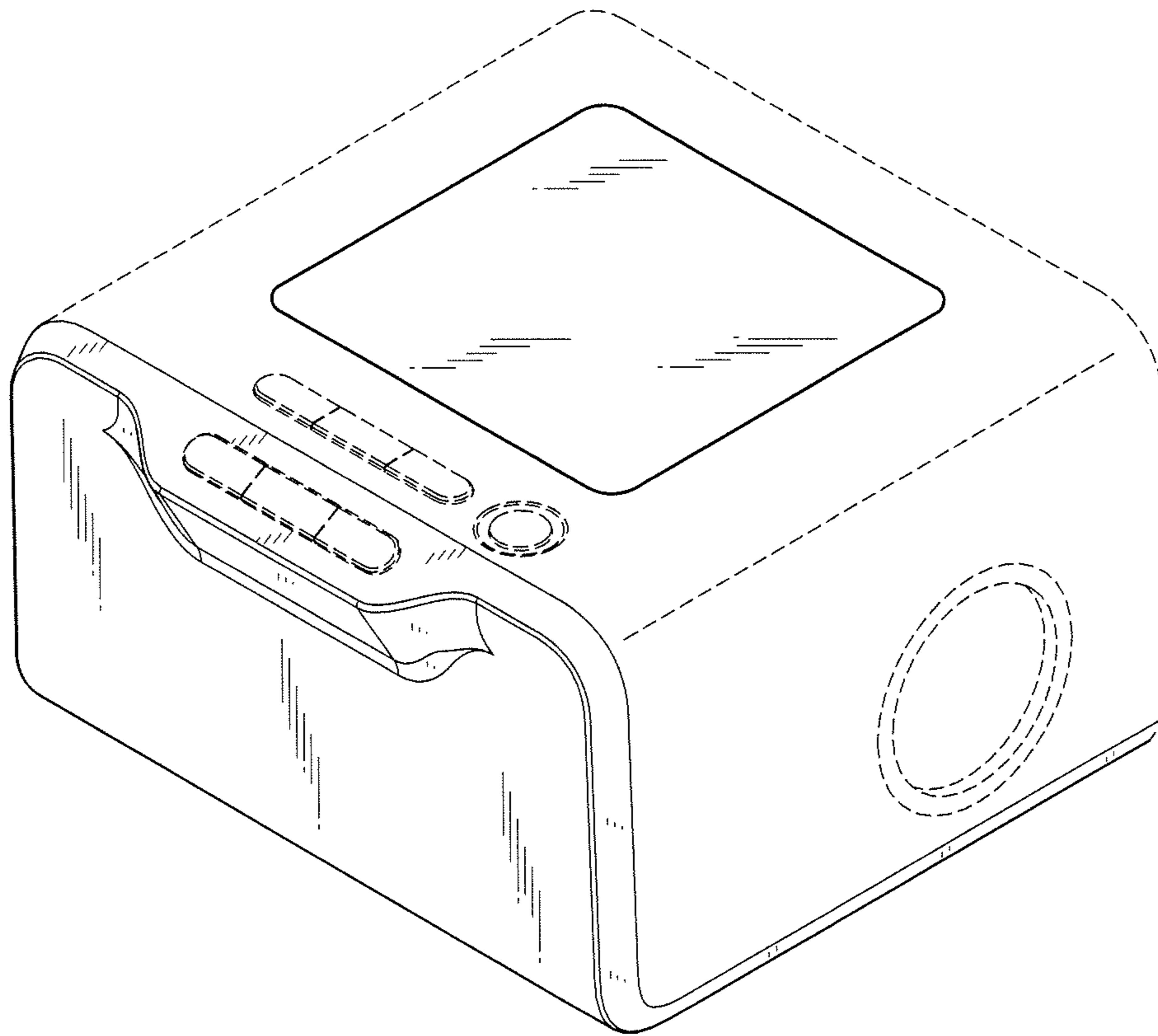


FIG. 1

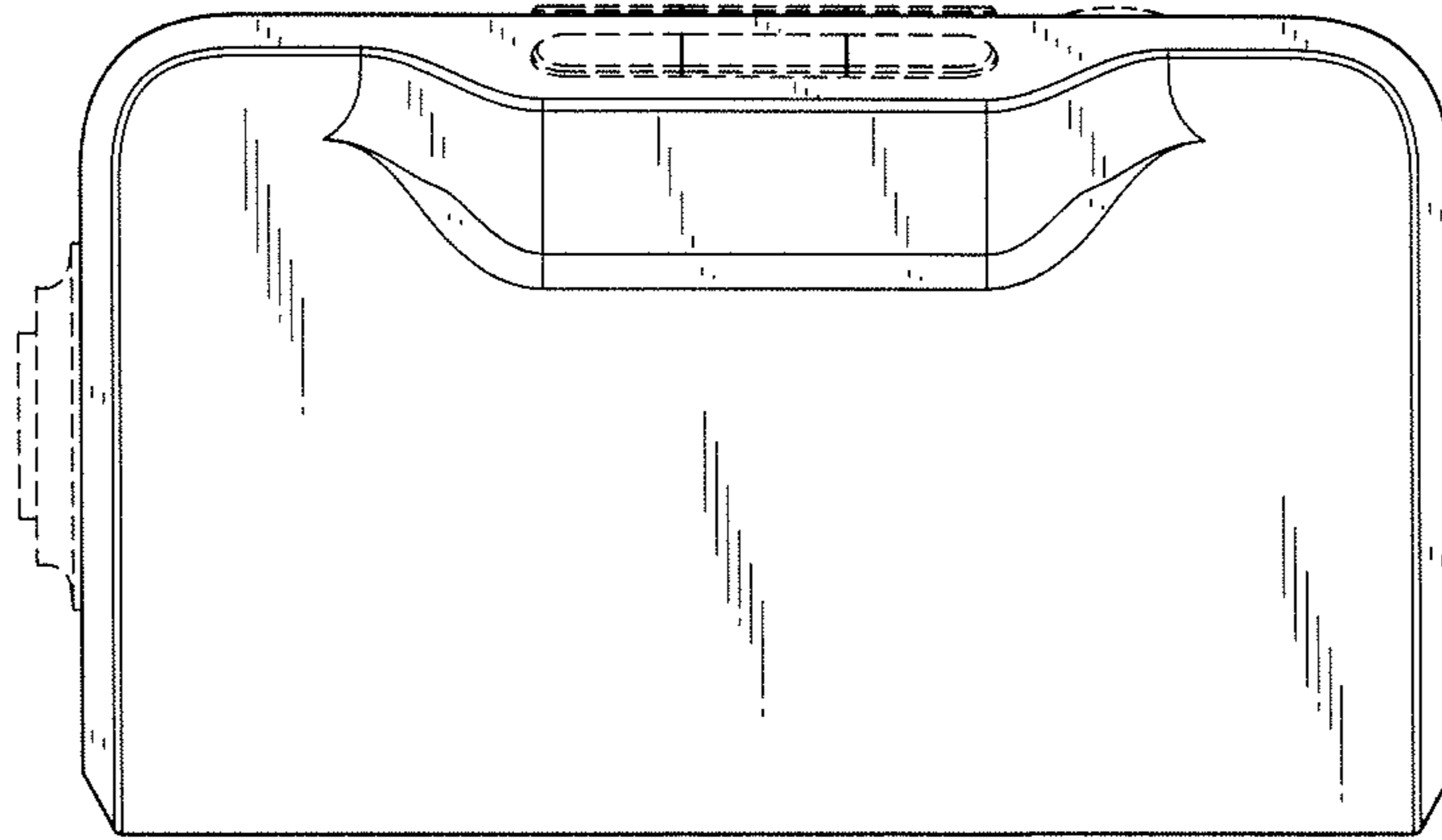


FIG. 2

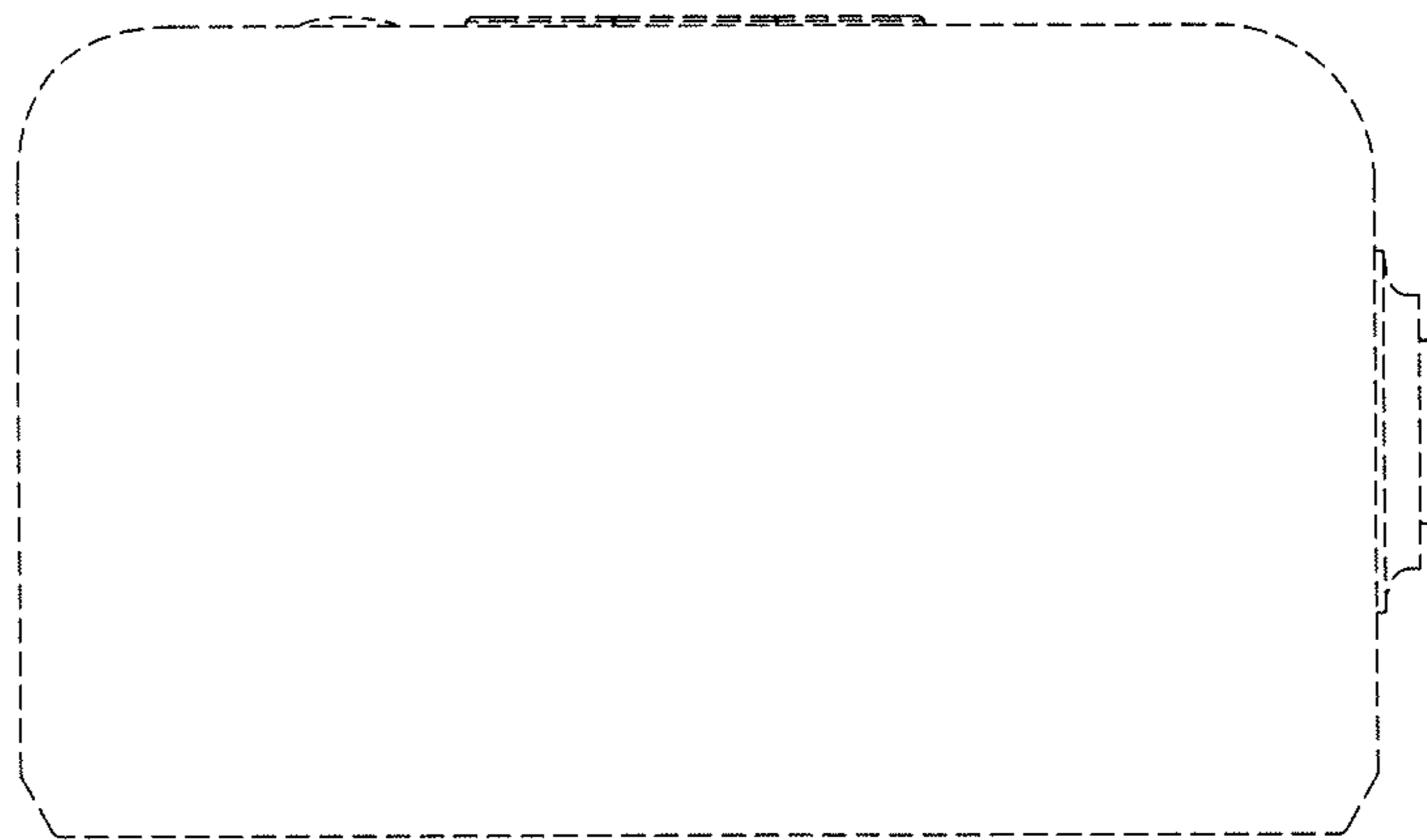


FIG. 3

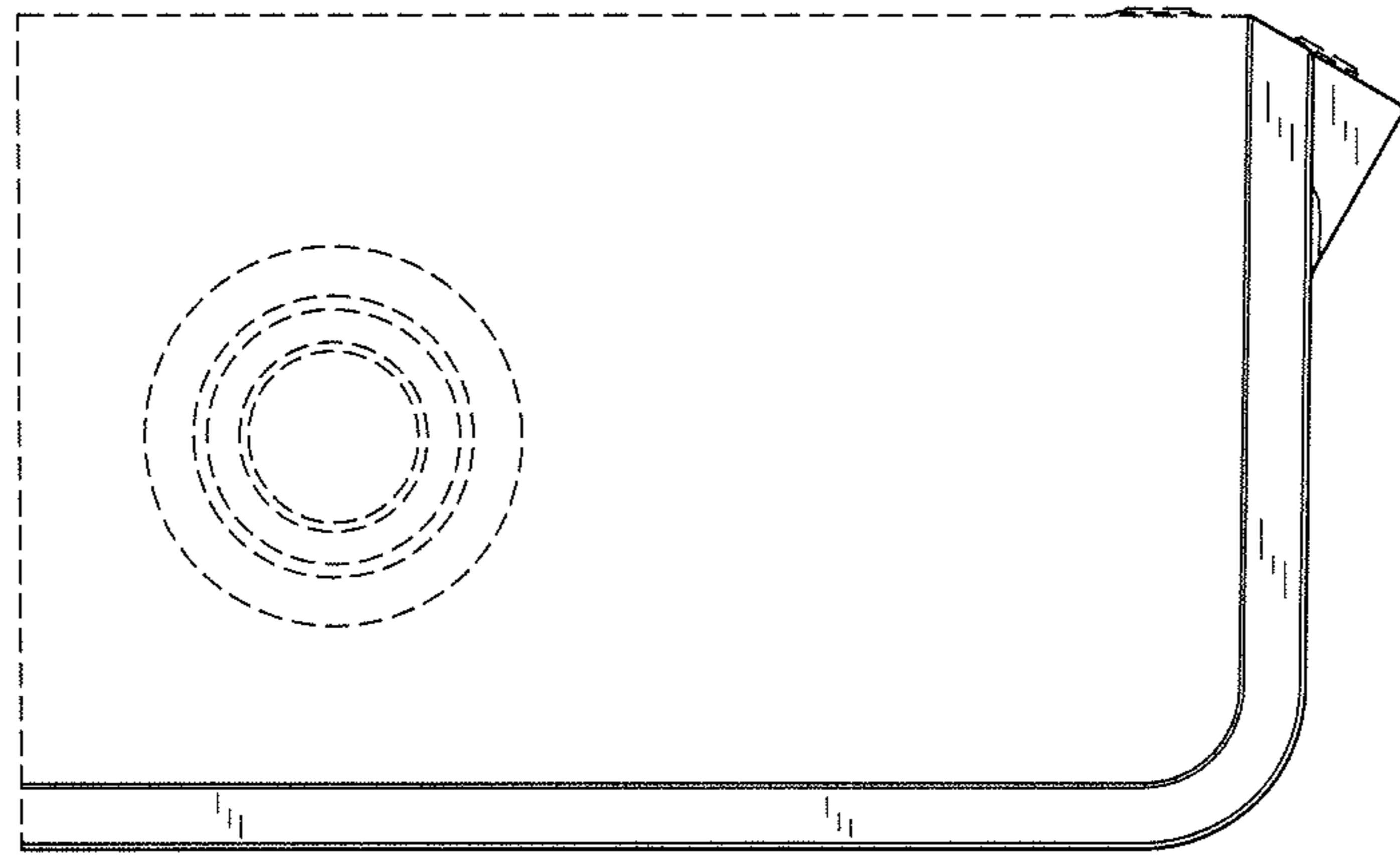


FIG. 4

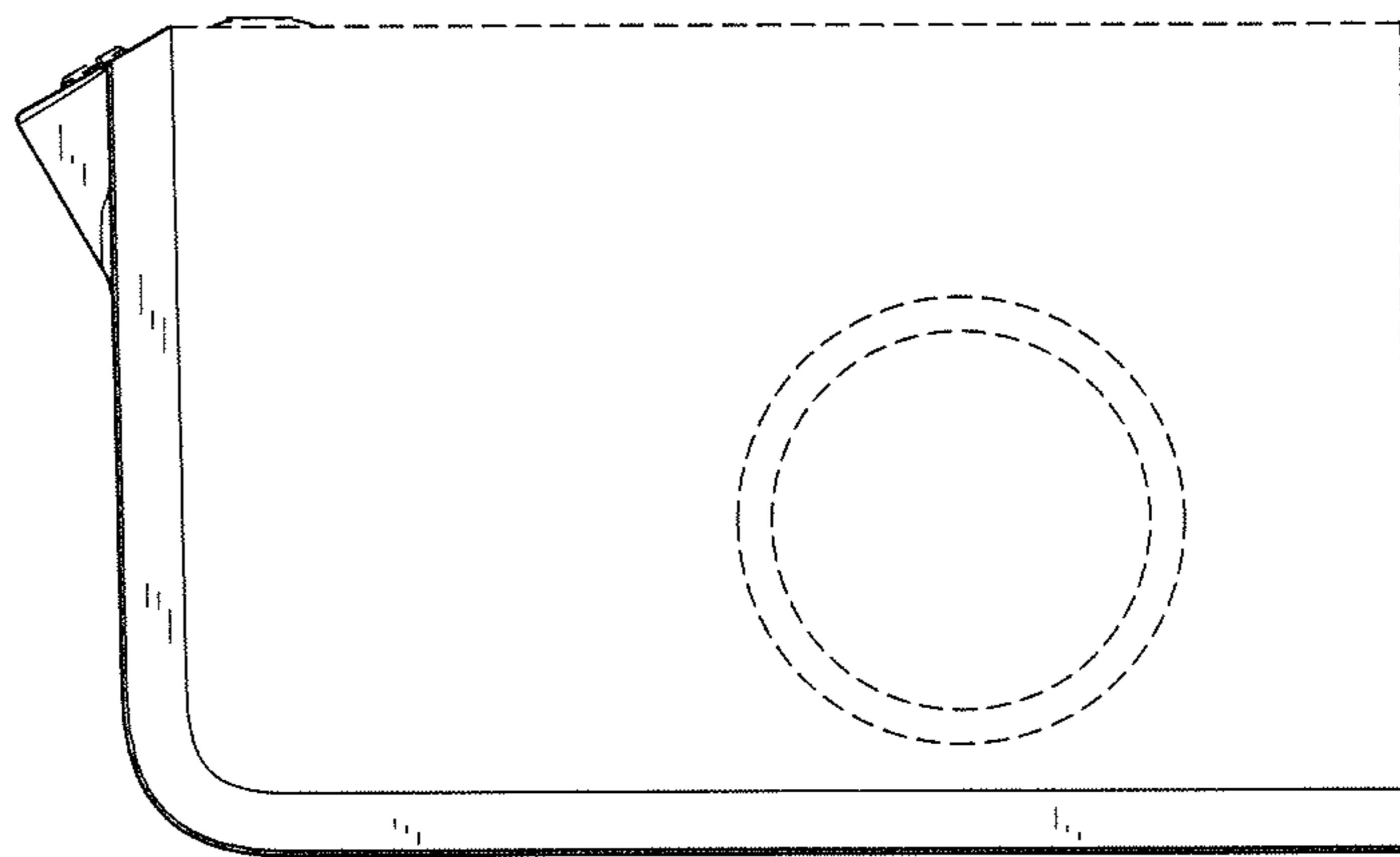


FIG. 5

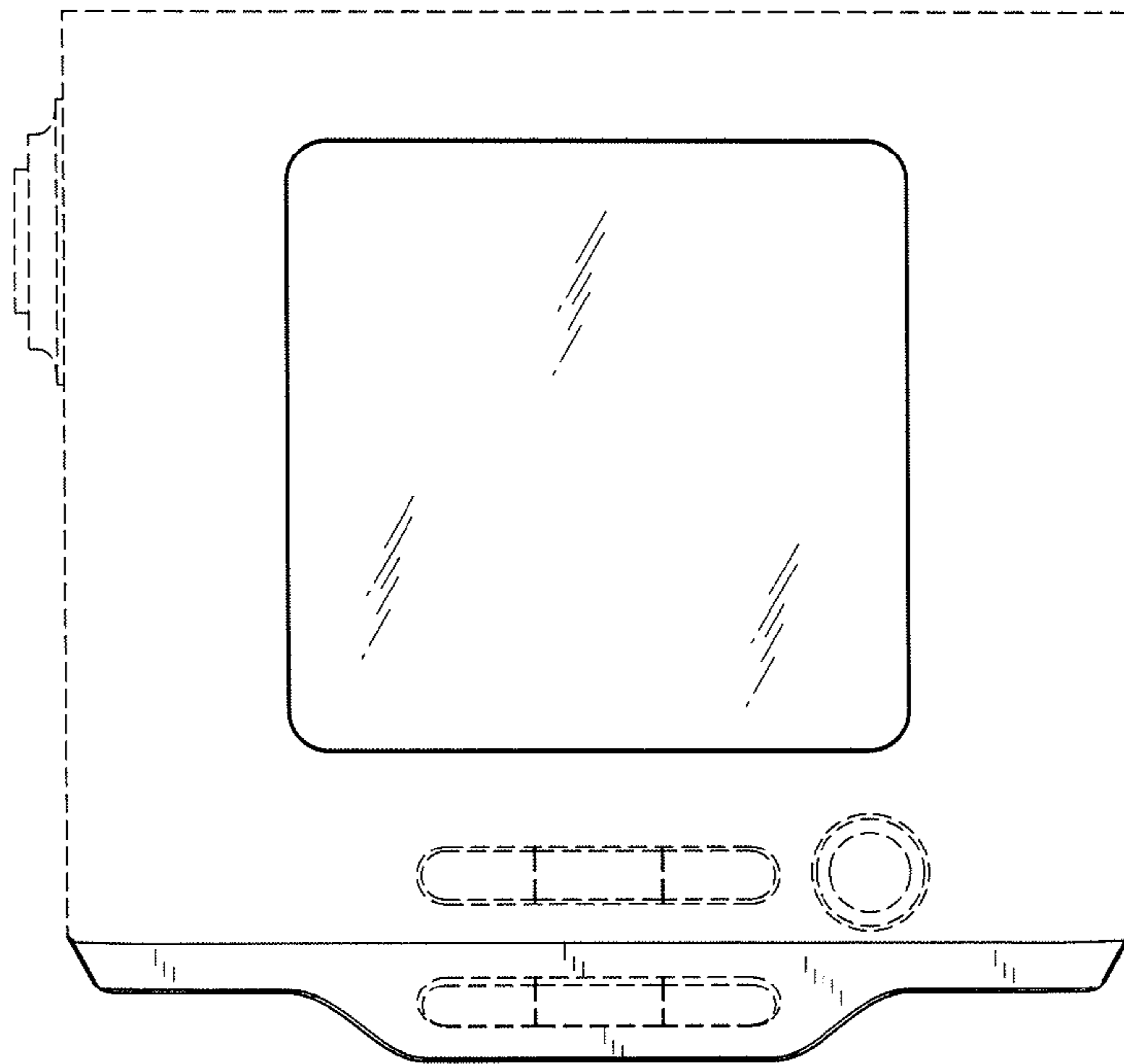


FIG. 6

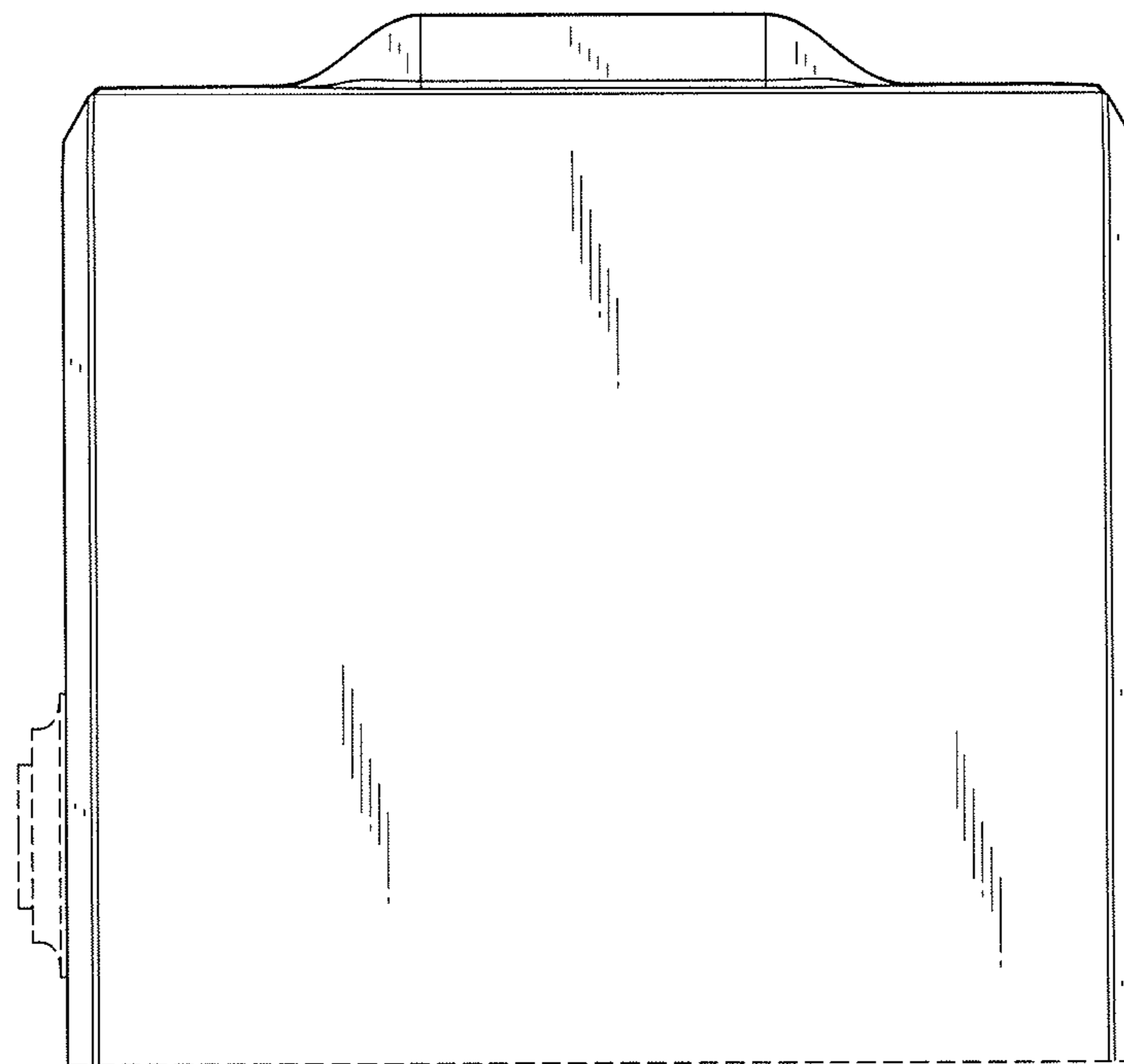


FIG. 7