



US00D752200S

(12) **United States Design Patent**  
**Huang et al.**

(10) **Patent No.:** **US D752,200 S**  
(45) **Date of Patent:** **\*\* Mar. 22, 2016**

(54) **VENTILATION FAN**

(71) Applicant: **DELTA ELECTRONICS, INC.**,  
Taoyuan Hsien (TW)

(72) Inventors: **Yu-Hsiang Huang**, Taoyuan Hsien  
(TW); **Kuan-Chung Cheng**, Taoyuan  
Hsien (TW); **Chih-Hua Lin**, Taoyuan  
Hsien (TW)

(73) Assignee: **DELTA ELECTRONICS, INC.**,  
Taoyuan Hsien (TW)

(\*\*) Term: **14 Years**

(21) Appl. No.: **29/475,999**

(22) Filed: **Dec. 10, 2013**

(51) **LOC (10) Cl.** ..... **23-04**

(52) **U.S. Cl.**  
USPC ..... **D23/385**

(58) **Field of Classification Search**  
USPC ..... D23/370, 371, 381, 385, 386, 388, 411;  
D26/59, 72, 74, 89, 118, 119  
CPC ... F24F 13/28; F24F 7/007; F24F 2001/0037;  
F24F 7/10; F24F 13/06  
See application file for complete search history.

(56) **References Cited**

**U.S. PATENT DOCUMENTS**

D188,212 S *	6/1960	Ruppe .....	D26/120
D212,899 S *	12/1968	Vasely .....	D26/24
D452,905 S *	1/2002	Peng .....	D23/370
D517,678 S *	3/2006	Wiler .....	D23/388
D533,956 S *	12/2006	Vladika .....	D26/118
D595,402 S *	6/2009	Miyake .....	D23/385
D617,441 S *	6/2010	Koury .....	D23/385
D634,055 S *	3/2011	Hokazono .....	D26/89

D672,493 S *	12/2012	Lee .....	D26/88
D691,762 S *	10/2013	Sieczkowski .....	D26/89
2014/0302772 A1 *	10/2014	Nizich .....	F24F 13/06 454/334
2015/0093983 A1 *	4/2015	Jeong .....	F24F 1/0014 454/248

**FOREIGN PATENT DOCUMENTS**

KR 30-0430111 S 11/2006

\* cited by examiner

*Primary Examiner* — Susan Bennett Hattan

*Assistant Examiner* — Janice Hallmark

(74) *Attorney, Agent, or Firm* — Muncy, Geissler, Olds & Lowe, P.C.

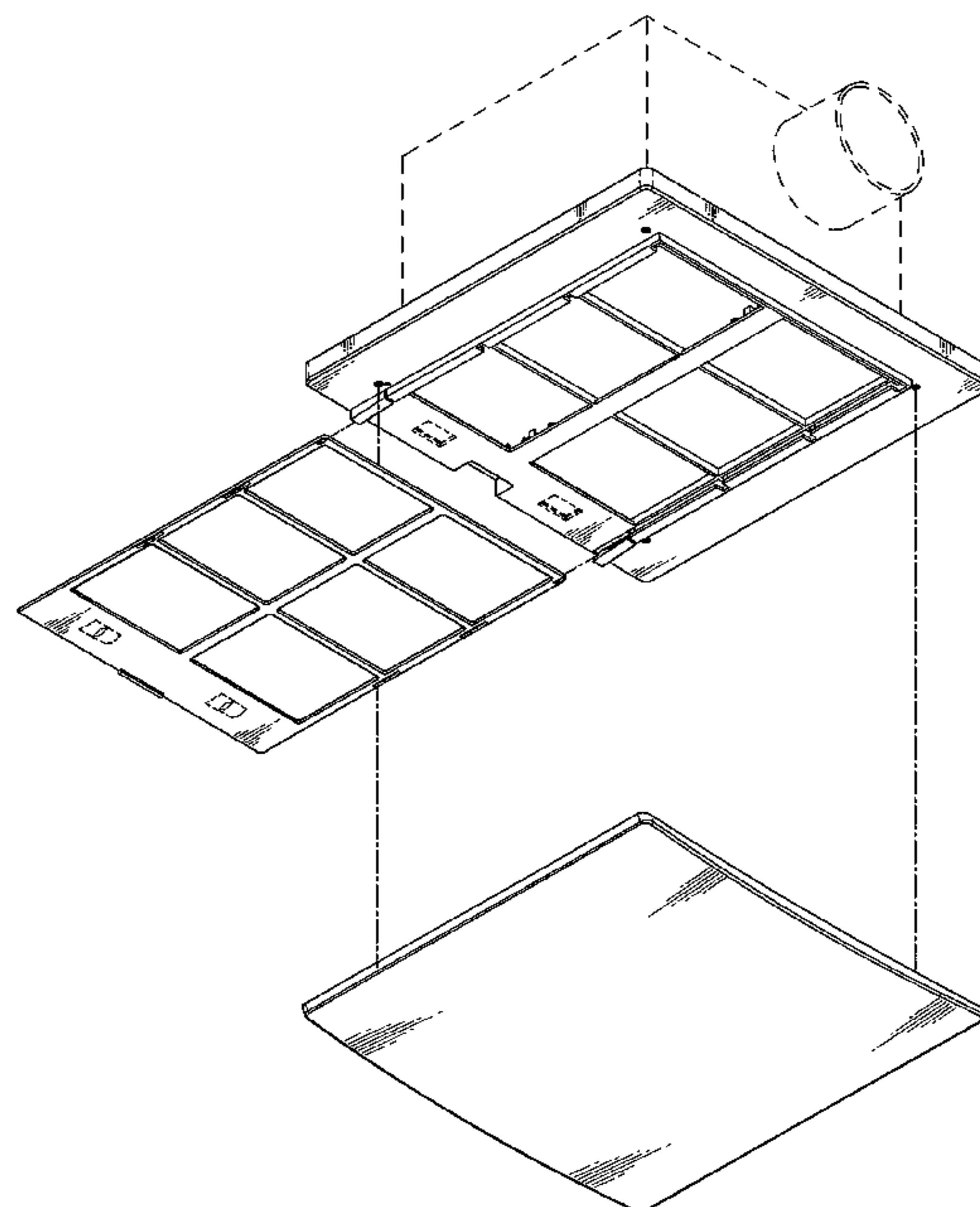
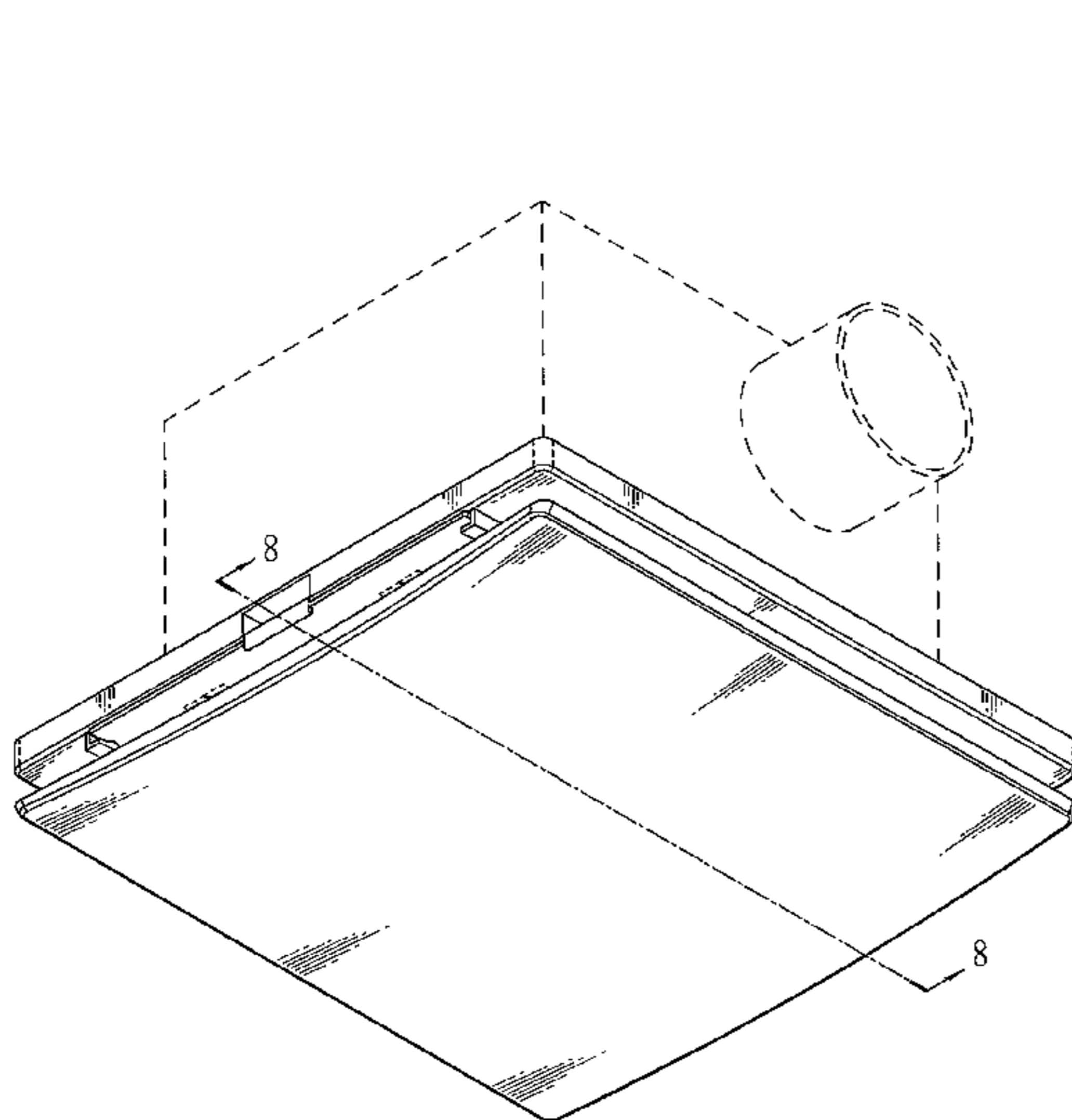
(57) **CLAIM**

The ornamental design for ventilation fan, as shown and described.

**DESCRIPTION**

FIG. 1 is a perspective view according to our new design;  
FIG. 2 is a front elevational view thereof;  
FIG. 3 is a rear elevational view thereof;  
FIG. 4 is a left-side elevational view thereof;  
FIG. 5 is a right-side elevational view thereof;  
FIG. 6 is a top plan view thereof;  
FIG. 7 is a bottom plan view thereof;  
FIG. 8 is a cross-sectional view taken along line 8-8 of FIG. 1;  
and,  
FIG. 9 is an exploded perspective view of our new design  
shown in FIG. 1.  
The broken lines shown in figures illustrate environmental  
structures and form no part of the claimed design.

**1 Claim, 7 Drawing Sheets**



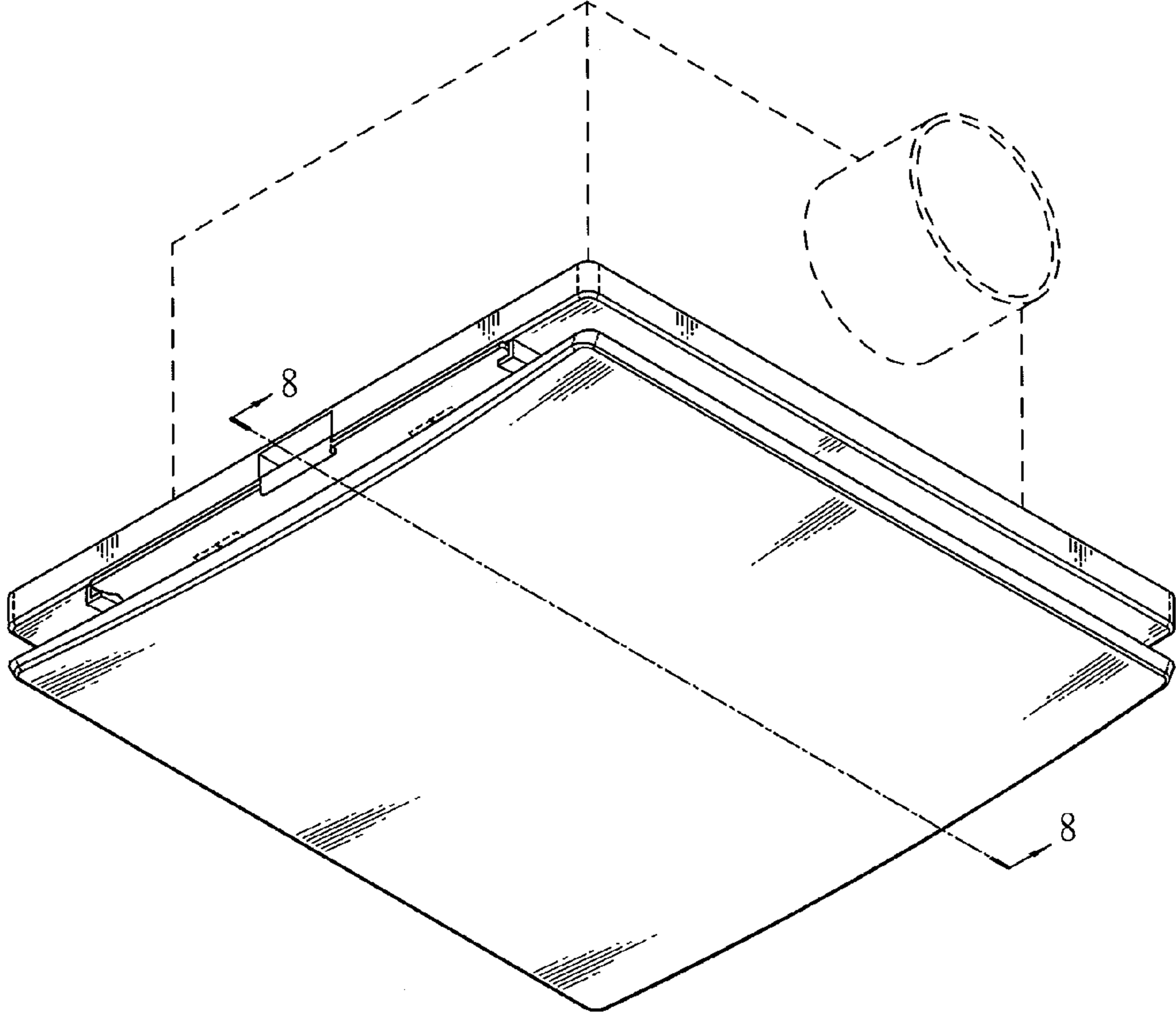


FIG.1

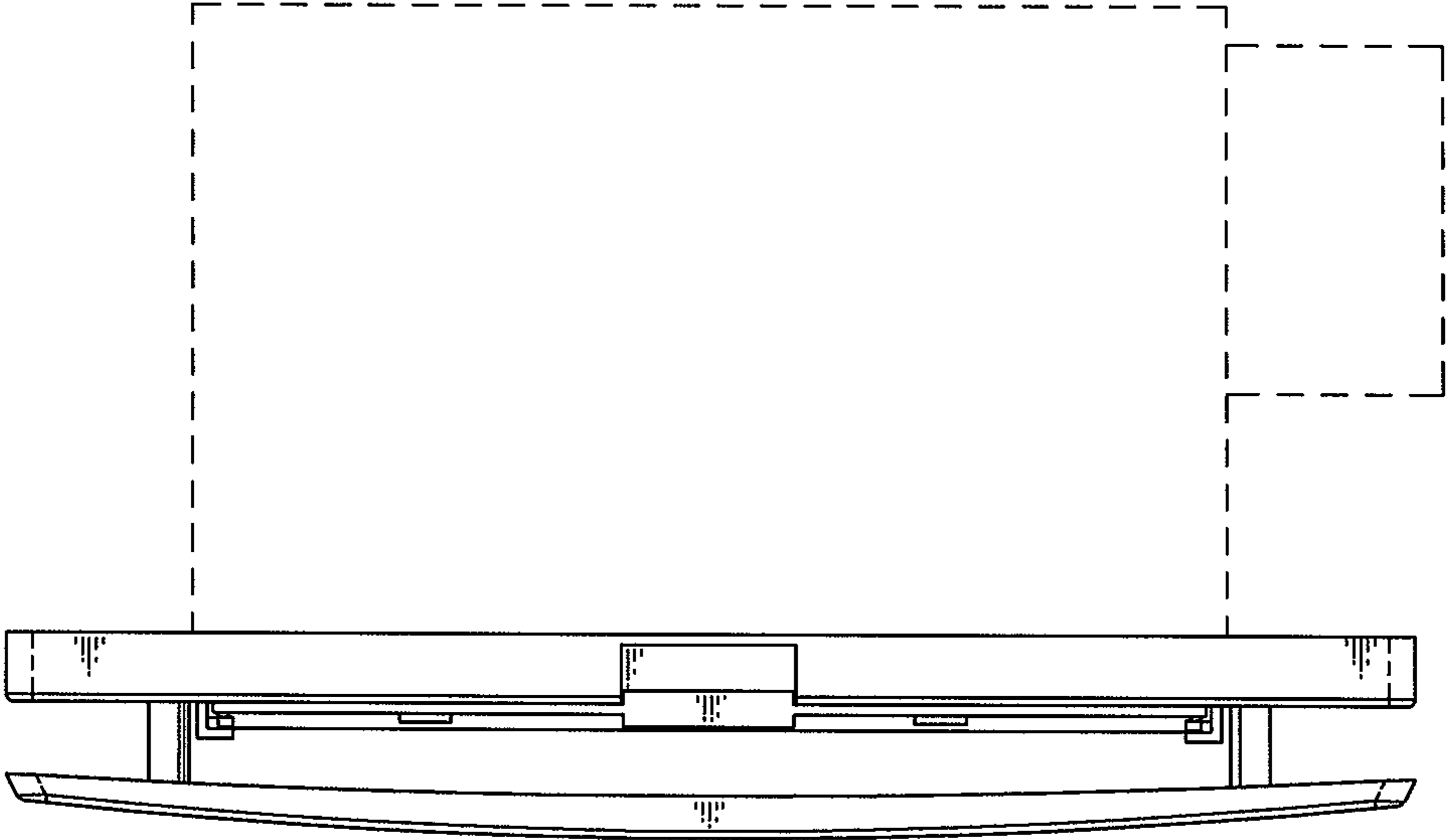


FIG.2

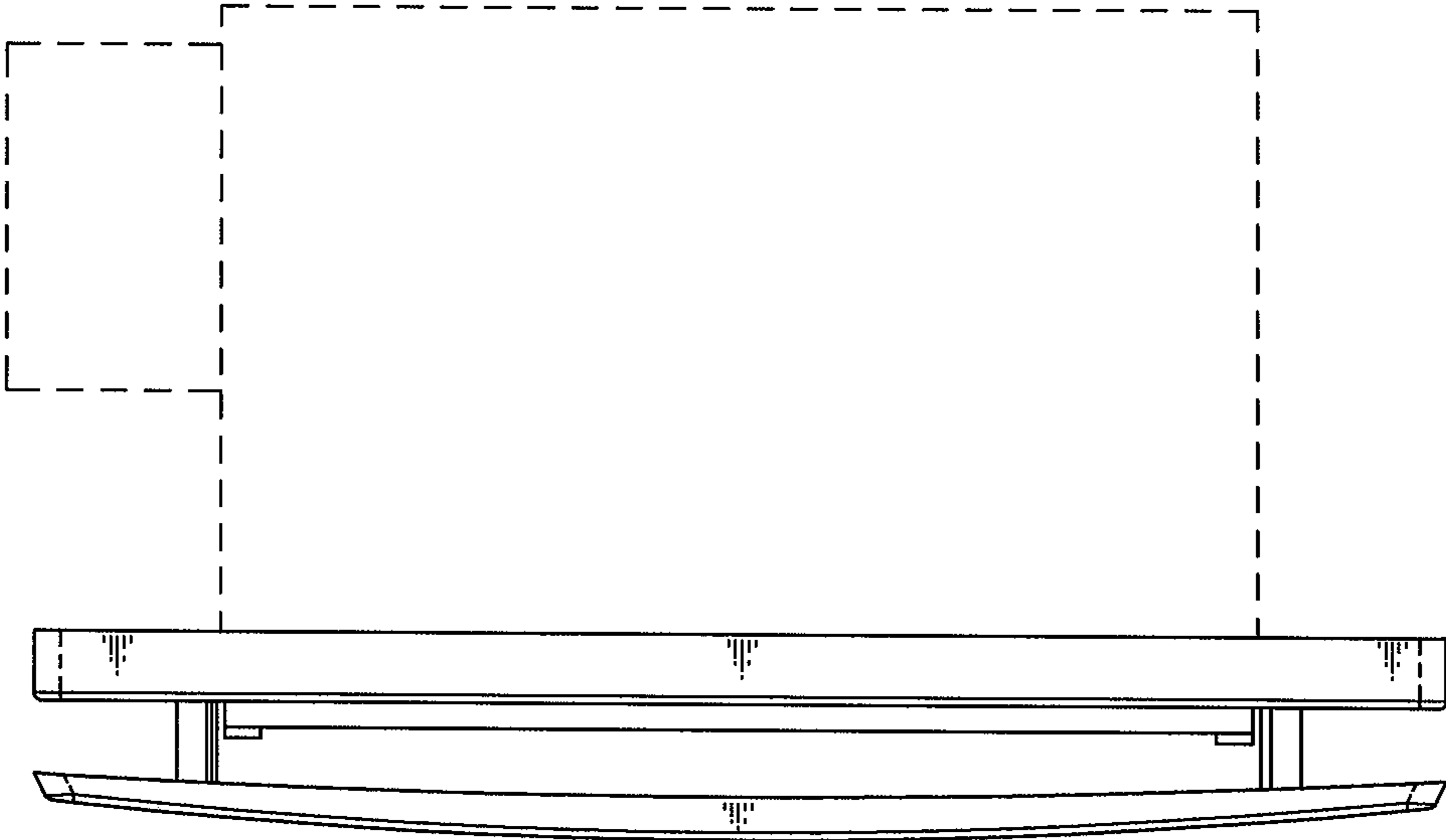


FIG.3

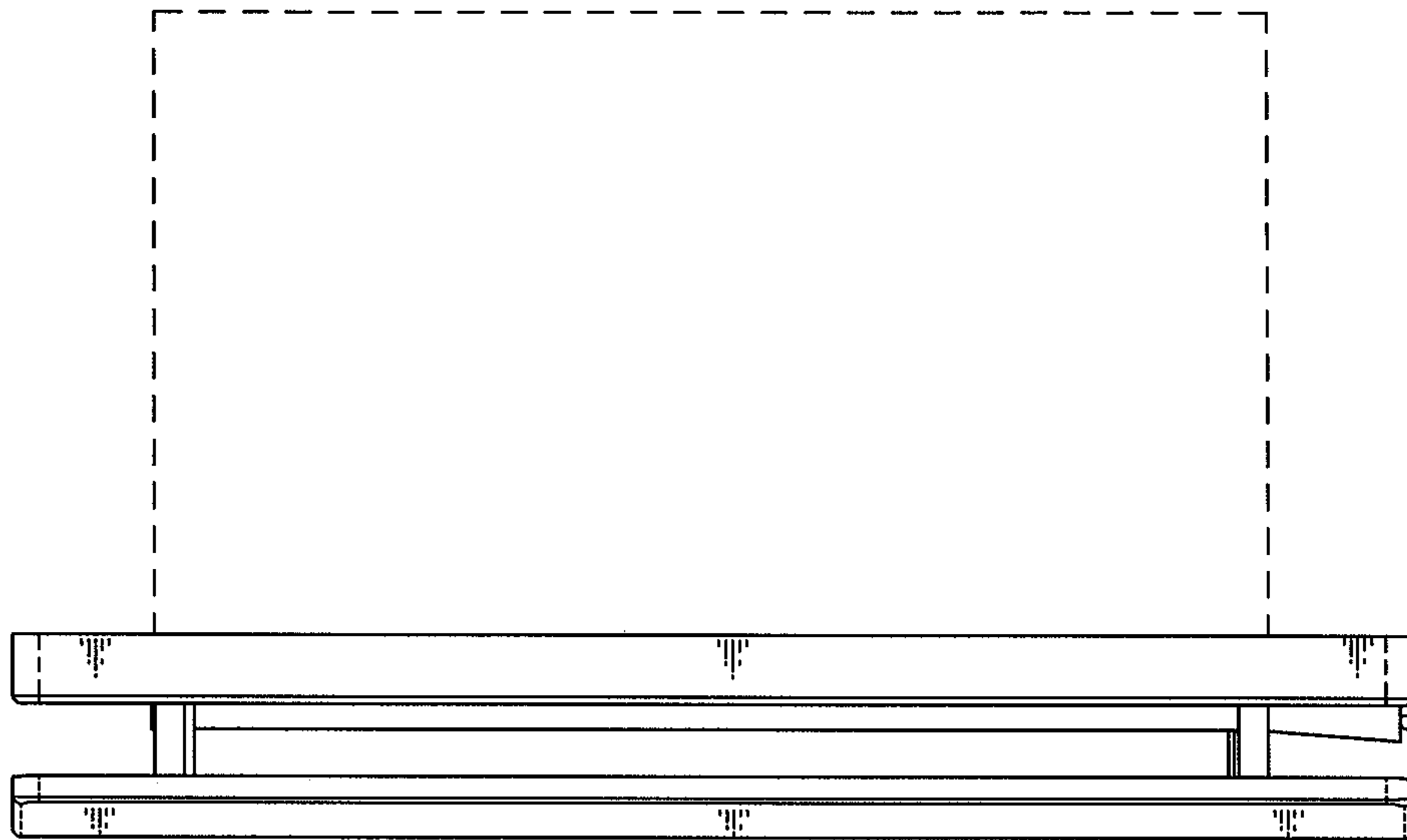


FIG. 4

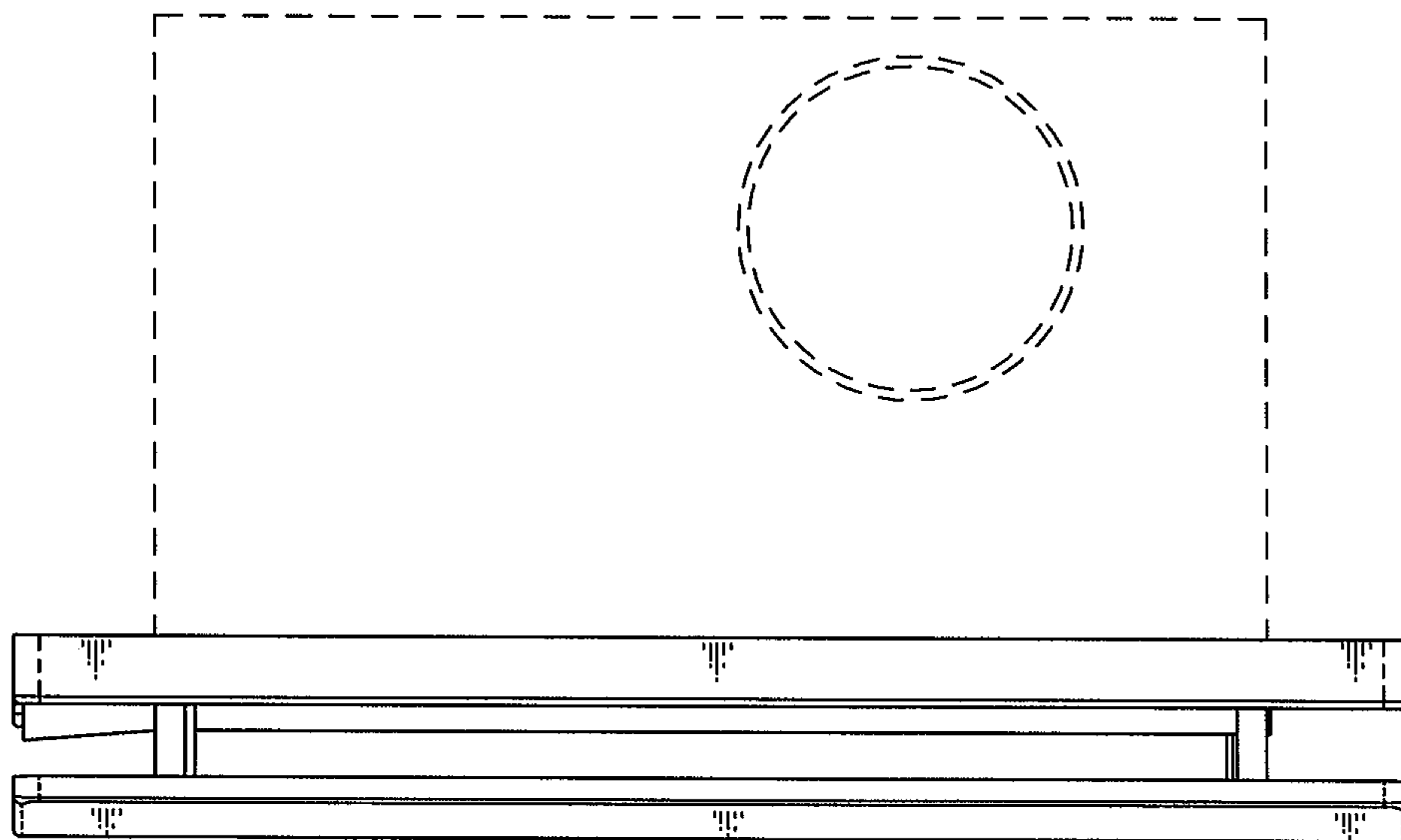


FIG. 5

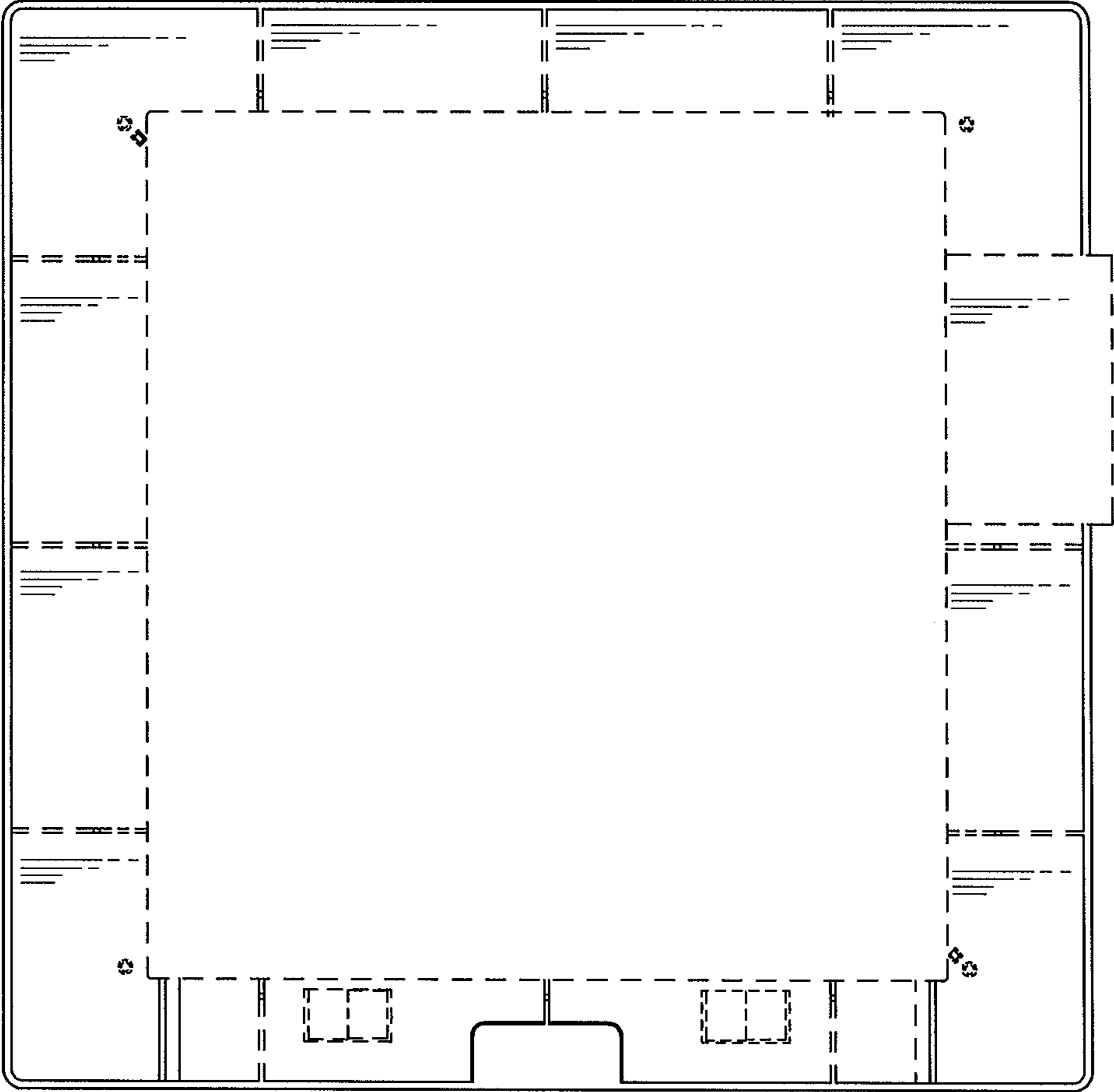


FIG.6

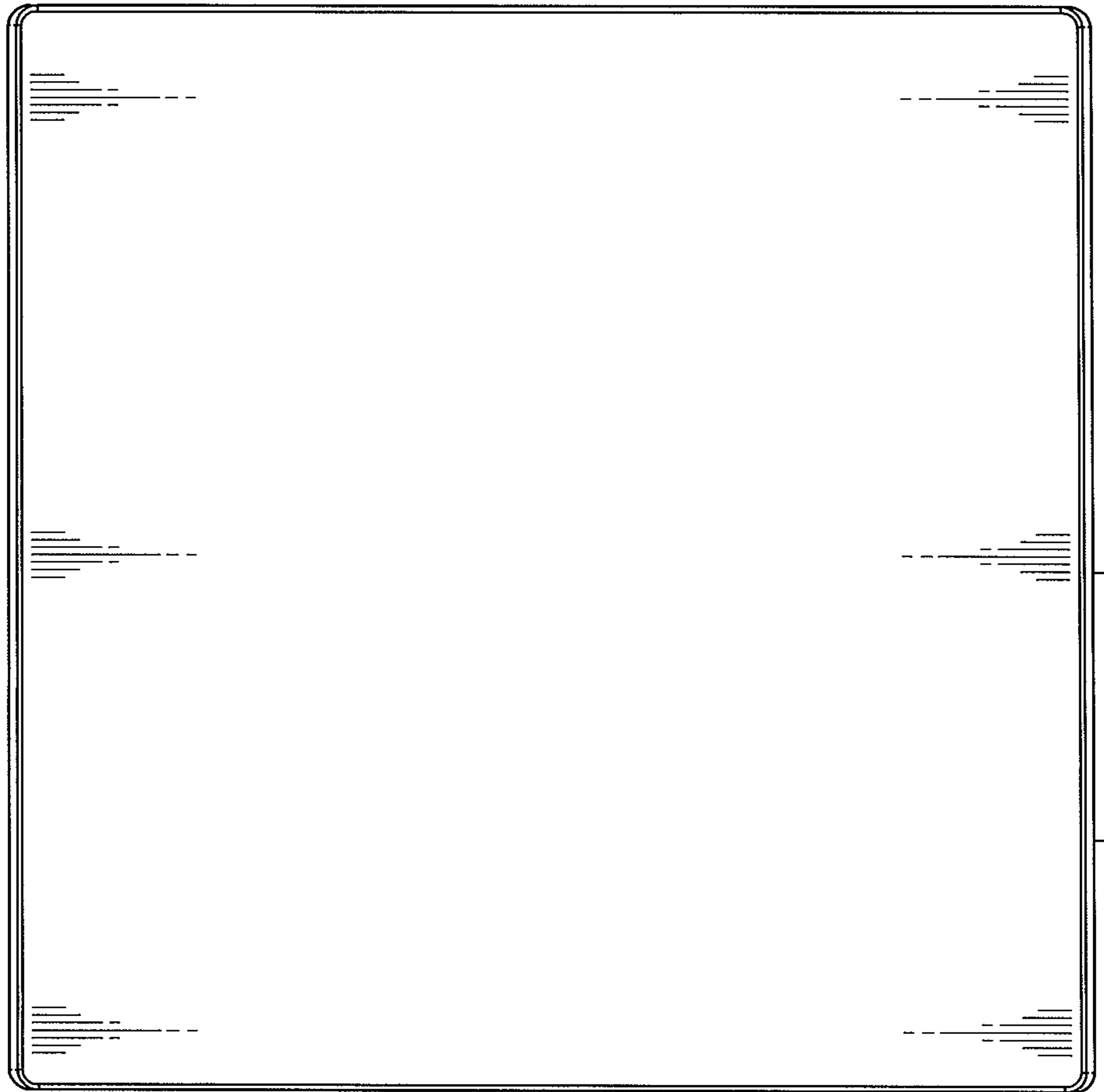


FIG.7

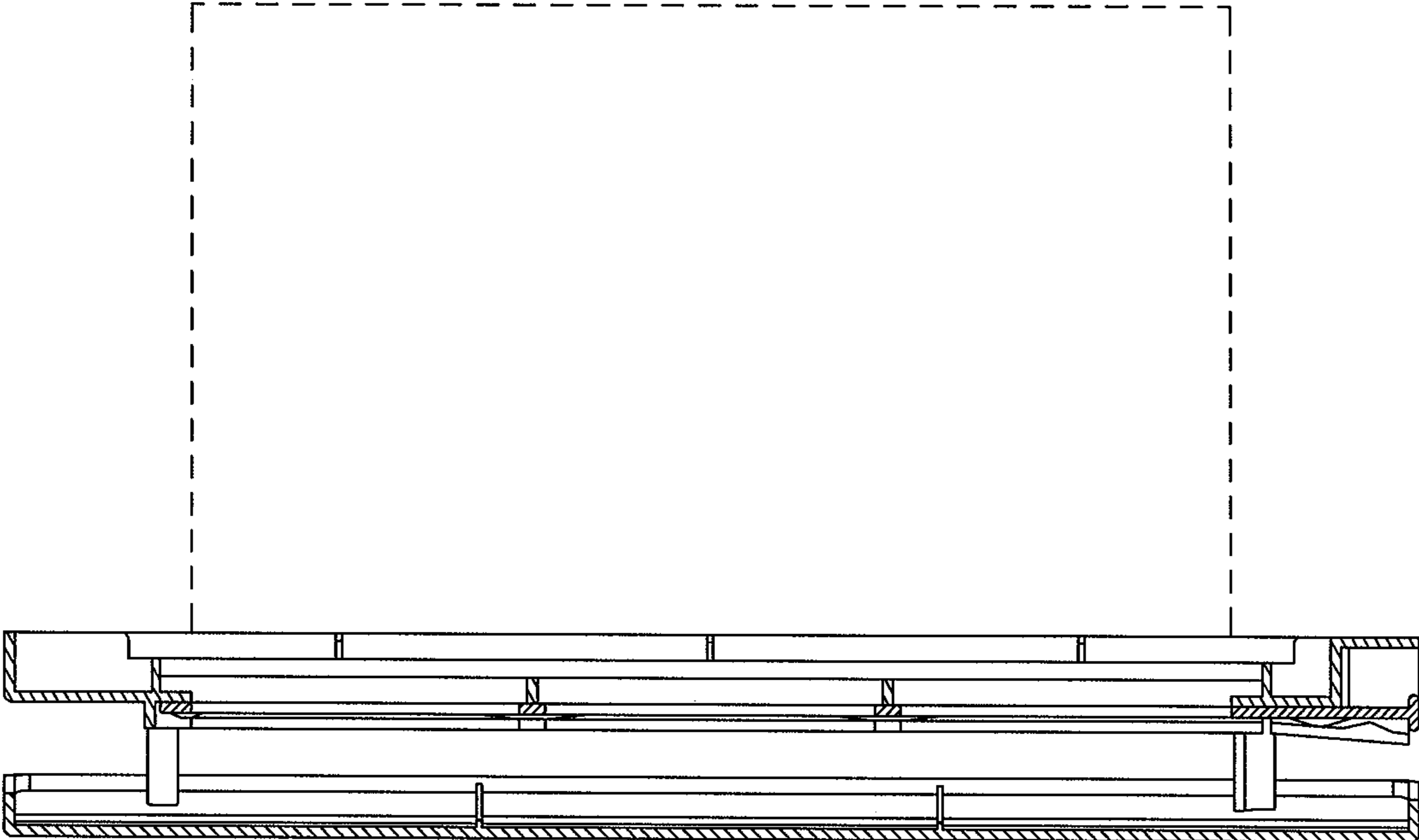


FIG.8



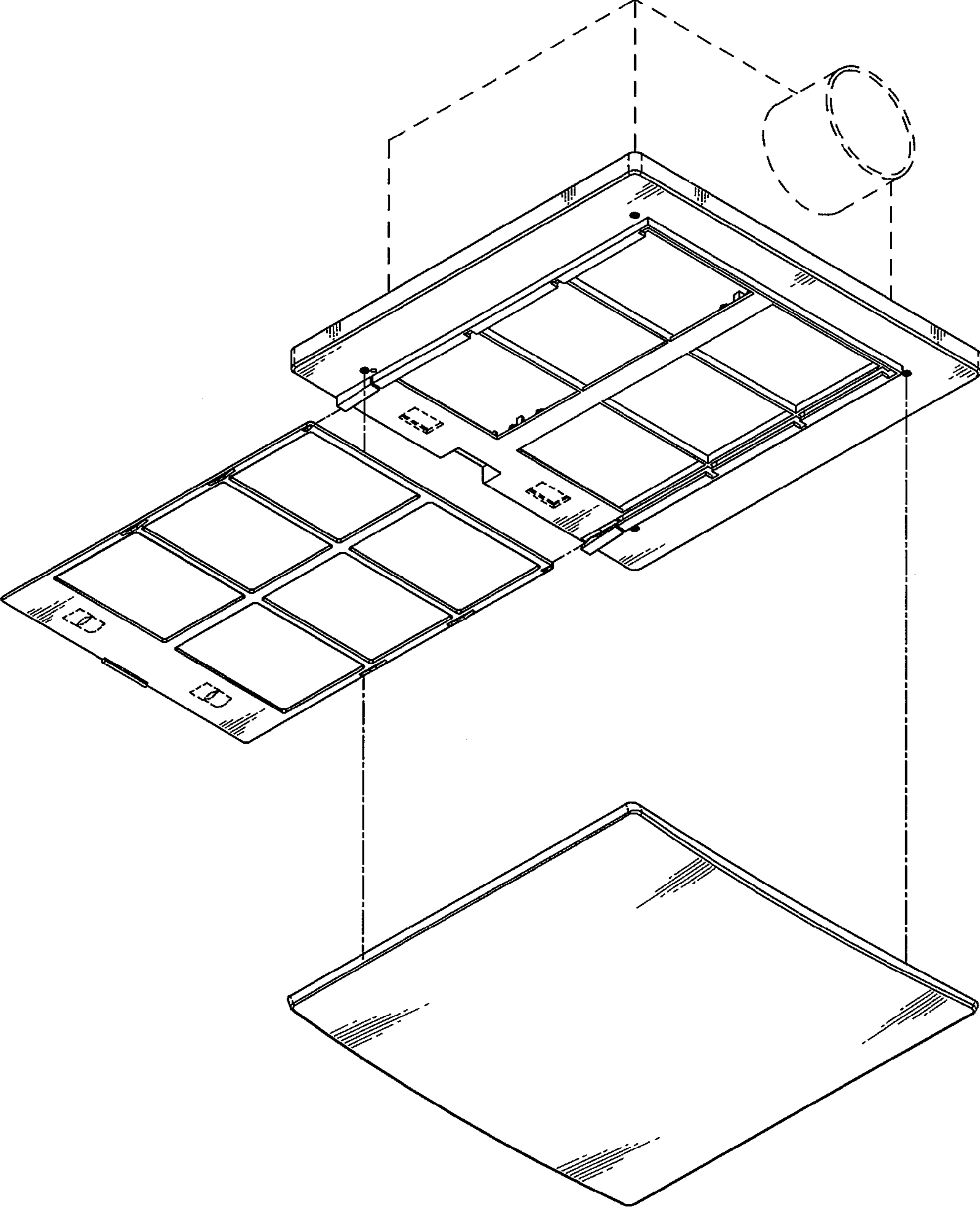


FIG.9