



US00D752199S

(12) **United States Design Patent**  
**Berkman et al.**

(10) **Patent No.:** **US D752,199 S**  
(45) **Date of Patent:** **\*\* Mar. 22, 2016**

(54) **BATH FAN WITH SPEAKER**  
(71) Applicant: **Homewerks Worldwide, LLC,**  
Lincolnshire, IL (US)  
(72) Inventors: **Peter D. Berkman,** Highland Park, IL  
(US); **Michael Malaker,** Gurnee, IL  
(US); **Jeffrey Jon Pischke,** Cary, IL  
(US)

2,668,491 A 2/1954 Gerlitz  
2,673,514 A 3/1954 Hanks  
2,710,573 A 6/1955 Marker  
2,800,069 A 7/1957 Smith  
2,875,678 A 3/1959 Shepherd  
2,911,900 A 11/1959 Rudy  
2,963,956 A 12/1960 Hill  
2,987,258 A 6/1961 North  
3,002,676 A 10/1961 Papsdorf  
3,045,579 A 7/1962 Jenn  
3,064,548 A 11/1962 Field

(73) Assignee: **Homewerks Worldwide, LLC,**  
Lincolnshire, IL (US)

(Continued)

(\*\*) Term: **14 Years**

www.ferguson.com, Bathroom Fans, Oct. 22, 2013, 12 pp.

(21) Appl. No.: **29/502,945**

(Continued)

(22) Filed: **Sep. 22, 2014**

*Primary Examiner* — Susan Bennett Hattan

(51) **LOC (10) Cl.** ..... **23-04**

*Assistant Examiner* — Marie Fast Horse

(52) **U.S. Cl.**

(74) *Attorney, Agent, or Firm* — Cozen O'Connor

USPC ..... **D23/370; D23/412; D23/390**

(58) **Field of Classification Search**

(57)

**CLAIM**

USPC ..... D23/411-414, 212, 213, 223, 229, 380,  
D23/324, 330, 332, 335, 353-369, 370-379,  
D23/381-386, 388, 390, 393, 499; D7/667,  
D7/668; 454/241, 248, 249, 254, 256, 264,  
454/265, 275, 277, 292, 296; 362/96;  
D14/140, 142, 148, 149, 172, 194, 195,  
D14/204, 209, 210, 215, 216, 217, 219,  
D14/496; 181/141

The ornamental design for a bath fan with speaker, as shown  
and described.

CPC ... F04D 29/005; F04D 29/703; F04D 29/668;  
F24F 13/20; F24F 13/06; F24F 13/082;  
F24F 7/06; H04R 1/02; H04R 1/28; H04R  
2201/021; B01D 2279/35

**DESCRIPTION**

See application file for complete search history.

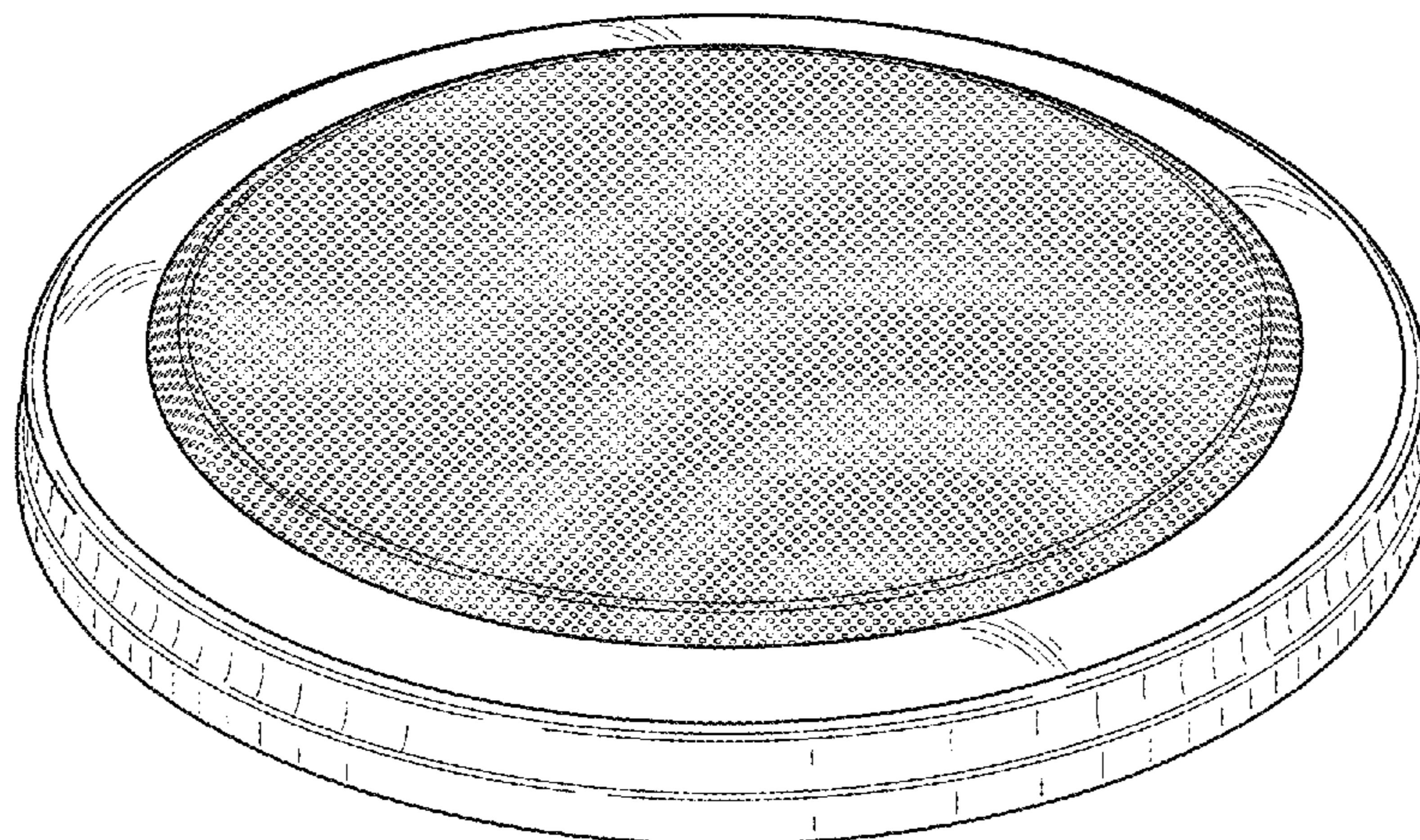
FIG. 1 is a first perspective view of a bath fan with speaker  
showing our new design;  
FIG. 2 is a front view thereof;  
FIG. 3 is a right side view thereof;  
FIG. 4 is a left side view thereof;  
FIG. 5 is a rear view thereof;  
FIG. 6 is a plan view thereof; and,  
FIG. 7 is a second perspective view thereof, shown in a  
position of use with unclaimed environmental subject matter.  
The broken lines immediately adjacent to the shaded area  
represent unclaimed boundaries of the design. The broken  
lines showing the remainder of the bath fan with speaker are  
for environmental purposes only and form no part of the  
claimed design.

(56) **References Cited**

**U.S. PATENT DOCUMENTS**

1,532,635 A 4/1925 Osburn  
2,182,690 A 12/1939 Cole  
2,278,581 A 4/1942 Dexter  
2,483,377 A 9/1949 Young

**1 Claim, 4 Drawing Sheets**



(56)

References Cited

U.S. PATENT DOCUMENTS

3,068,341 A 12/1962 Ortiz  
 3,101,662 A 8/1963 Alldritt  
 3,211,080 A 10/1965 Rader  
 3,212,425 A 10/1965 Hazen  
 3,326,112 A 6/1967 Sadlow  
 3,332,334 A 7/1967 Melzer  
 3,347,025 A 10/1967 Wiley  
 3,438,180 A 4/1969 Klouda  
 D215,675 S \* 10/1969 Yian ..... D13/114  
 3,572,234 A 3/1971 Schoenthaler  
 3,577,710 A 5/1971 Feldman  
 3,606,593 A 9/1971 Steiner  
 3,636,306 A 1/1972 Bumpus  
 3,665,838 A 5/1972 Shepherd  
 3,692,977 A 9/1972 Duhamel et al.  
 3,698,833 A 10/1972 Cann et al.  
 3,732,030 A 5/1973 Mullings  
 3,743,439 A 7/1973 Cann  
 3,785,271 A 1/1974 Joy  
 3,788,207 A 1/1974 Doherty, II  
 3,926,537 A 12/1975 Piper  
 3,952,638 A 4/1976 Felter et al.  
 4,073,597 A 2/1978 Barnhart et al.  
 4,115,082 A 9/1978 Newell  
 D254,490 S \* 3/1980 Matsubara ..... 181/157  
 4,252,547 A 2/1981 Johnson  
 D261,645 S \* 11/1981 Babb ..... D14/212  
 4,319,898 A 3/1982 Maierhofer  
 4,335,647 A 6/1982 Timmons  
 4,336,749 A 6/1982 Barnhart et al.  
 4,385,550 A 5/1983 Steiner et al.  
 4,385,911 A 5/1983 Popeil et al.  
 4,406,216 A 9/1983 Hott et al.  
 4,510,851 A 4/1985 Sarnosky et al.  
 4,550,796 A \* 11/1985 Tomita ..... B60R 11/0217  
 181/141  
 D287,888 S 1/1987 Castor et al.  
 D289,894 S \* 5/1987 Ohtsuji ..... D14/219  
 D291,079 S \* 7/1987 Ohtsuji ..... D14/215  
 D291,988 S \* 9/1987 Ishizaki ..... D14/215  
 D295,741 S \* 5/1988 Keitoku ..... D14/215  
 4,867,640 A 9/1989 Penlesky et al.  
 D323,327 S \* 1/1992 Davidson ..... D14/219  
 5,507,691 A \* 4/1996 Nishizawa ..... F24F 13/08  
 454/279  
 D372,775 S 8/1996 Schuler  
 D374,927 S 10/1996 Chabot  
 5,664,872 A \* 9/1997 Spearman ..... F21V 29/02  
 362/294  
 D387,859 S 12/1997 Ukai et al.  
 5,734,131 A \* 3/1998 Sakamoto ..... B60R 11/0217  
 181/141  
 D394,863 S \* 6/1998 Saer ..... D14/215  
 D403,787 S 1/1999 Van Belle  
 5,879,232 A 3/1999 Luter, II et al.  
 5,918,972 A 7/1999 Van Belle  
 5,996,727 A \* 12/1999 Blind ..... B60R 11/0217  
 181/141  
 D432,226 S \* 10/2000 Orendorff ..... D23/393  
 D434,751 S \* 12/2000 Sogabe ..... D14/214  
 D453,375 S 2/2002 Peng  
 D457,232 S 5/2002 Miura  
 D457,616 S 5/2002 Yamanaka et al.  
 D467,572 S \* 12/2002 Narita ..... D14/214  
 D467,906 S \* 12/2002 Sadatsuki ..... D14/219  
 6,488,579 B2 12/2002 Larson et al.  
 D474,173 S \* 5/2003 Right ..... D14/209  
 D484,114 S \* 12/2003 Gansterer ..... D14/215  
 D490,147 S 5/2004 Miura  
 D497,900 S \* 11/2004 Motoishi ..... D14/214  
 D510,996 S 10/2005 Vladika  
 6,979,169 B2 12/2005 Penlesky et al.  
 D519,661 S \* 4/2006 Young ..... D26/59

D521,145 S 5/2006 Craw et al.  
 D531,301 S 10/2006 Sinur et al.  
 D533,537 S \* 12/2006 Reardon ..... D14/172  
 D533,956 S 12/2006 Vladika  
 D535,431 S 1/2007 Roland  
 D535,433 S 1/2007 Craw et al.  
 D540,619 S 4/2007 Kim  
 D543,270 S 5/2007 Miura et al.  
 D565,716 S 4/2008 Jacak  
 D565,717 S 4/2008 Jacak et al.  
 D565,722 S 4/2008 Hollingsworth et al.  
 D566,262 S 4/2008 Zakula et al.  
 D567,352 S 4/2008 Hollingsworth et al.  
 D567,353 S 4/2008 Hollingsworth et al.  
 D567,354 S 4/2008 Jacak et al.  
 D567,355 S 4/2008 Zakula et al.  
 D567,931 S 4/2008 Hollingsworth et al.  
 D567,932 S 4/2008 Hollingsworth et al.  
 D567,933 S 4/2008 Hollingsworth et al.  
 D568,460 S 5/2008 Jacak et al.  
 D569,492 S 5/2008 Zakula et al.  
 D570,465 S 6/2008 Miyake et al.  
 D574,478 S 8/2008 Miyake et al.  
 D575,386 S 8/2008 Jacak et al.  
 D575,387 S 8/2008 Zakula et al.  
 D577,805 S 9/2008 Adrian et al.  
 D581,508 S 11/2008 Miyake et al.  
 D581,517 S 11/2008 Koury et al.  
 7,455,500 B2 11/2008 Penlesky et al.  
 7,455,583 B2 11/2008 Taya  
 D584,393 S 1/2009 Miyake et al.  
 D584,394 S 1/2009 Miyake et al.  
 D585,975 S 2/2009 Guthrie  
 D586,455 S 2/2009 Guthrie  
 D586,456 S 2/2009 Guthrie  
 D618,782 S 6/2010 Zakula et al.  
 D623,265 S \* 9/2010 Reynoso ..... D23/213  
 D635,238 S 3/2011 Zakula et al.  
 D639,385 S \* 6/2011 Flowers ..... D23/213  
 D653,323 S 1/2012 Jacak et al.  
 D654,998 S 2/2012 Zakula et al.  
 D655,403 S 3/2012 Zakula et al.  
 D678,995 S 3/2013 Hoshino et al.  
 D681,794 S 5/2013 Lin et al.  
 8,720,966 B2 \* 5/2014 Stein ..... B60R 13/02  
 296/1.08  
 9,057,519 B1 \* 6/2015 Paynton ..... F23L 17/02  
 D733,682 S \* 7/2015 Kelly ..... D14/215  
 9,103,104 B1 \* 8/2015 Tom ..... E03D 9/052  
 2002/0150274 A1 \* 10/2002 Winget ..... H04R 5/02  
 381/391  
 2006/0060415 A1 \* 3/2006 Radu ..... B60R 13/0237  
 181/150  
 2007/0189553 A1 \* 8/2007 Holden ..... H04R 1/02  
 381/99  
 2009/0170421 A1 7/2009 Adrian et al.  
 2011/0075396 A1 \* 3/2011 Sun ..... H04R 1/028  
 362/86  
 2014/0233786 A1 \* 8/2014 Sumitani ..... H04R 1/02  
 381/391  
 2014/0360805 A1 \* 12/2014 Berkman ..... H04R 1/02  
 181/141  
 2014/0364050 A1 \* 12/2014 McIver ..... F24F 7/02  
 454/275  
 2015/0031282 A1 \* 1/2015 Nagan ..... F24F 7/007  
 454/329  
 2015/0139476 A1 \* 5/2015 Yu ..... H04R 1/025  
 381/386

OTHER PUBLICATIONS

United States District Court of Illinois Eastern Division, "Complaint for Patent Infringement," *Homeworks Worldwide, LLC v. Broan-Nutone LLC*, Case: 1:15-cv-01058, Document #1, filed Feb. 2, 2015, 32 pages.

\* cited by examiner

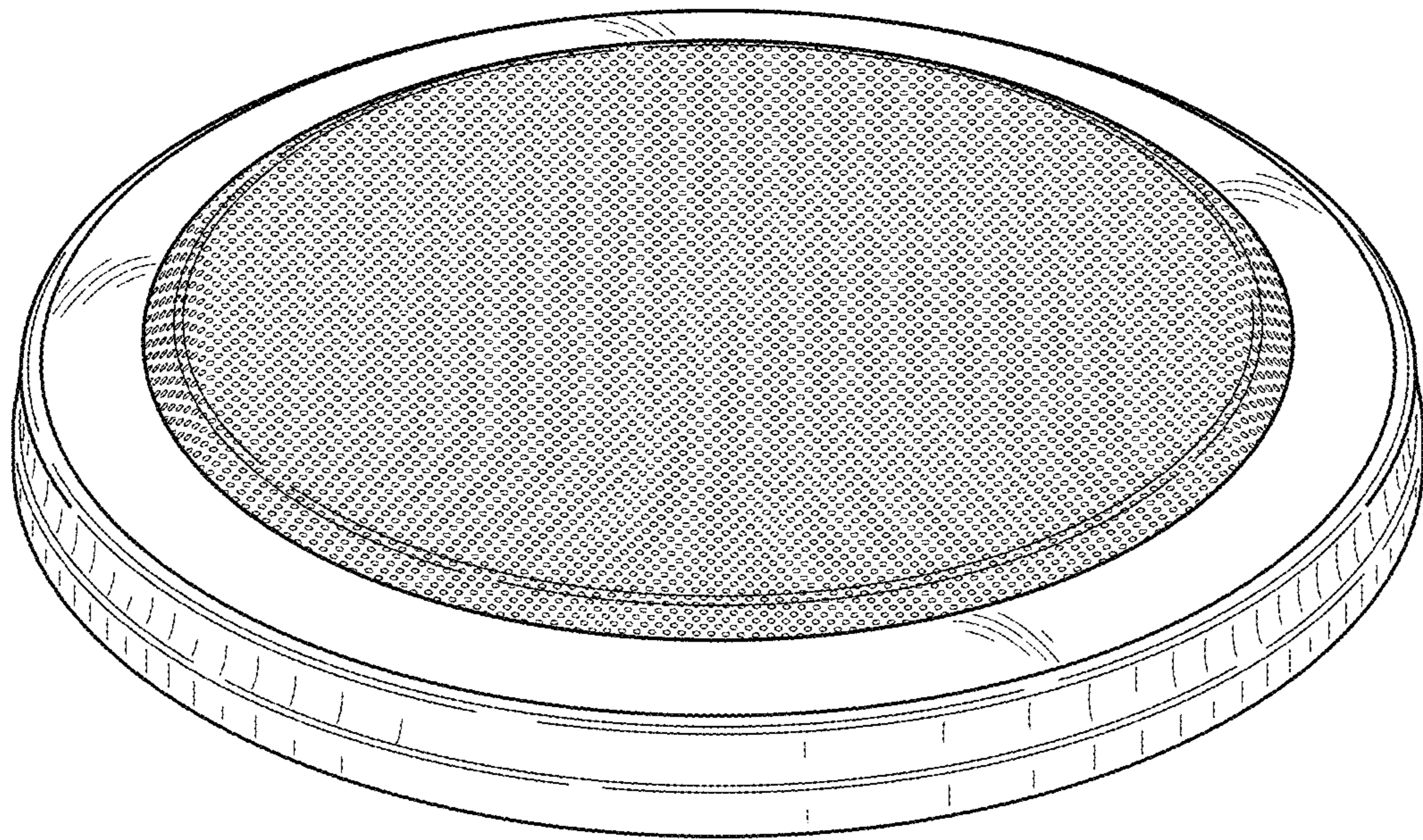


FIG. 1

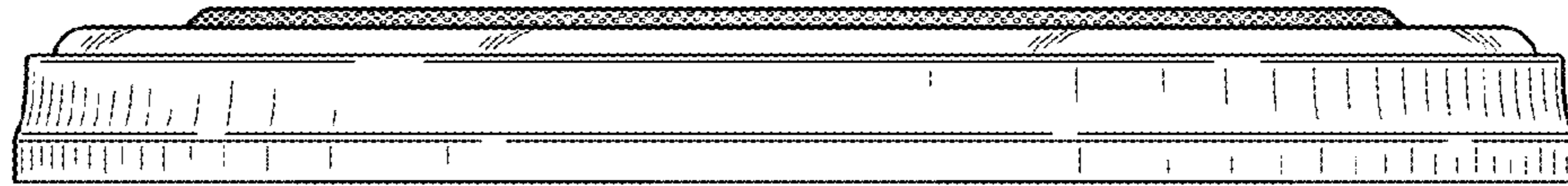


FIG. 2

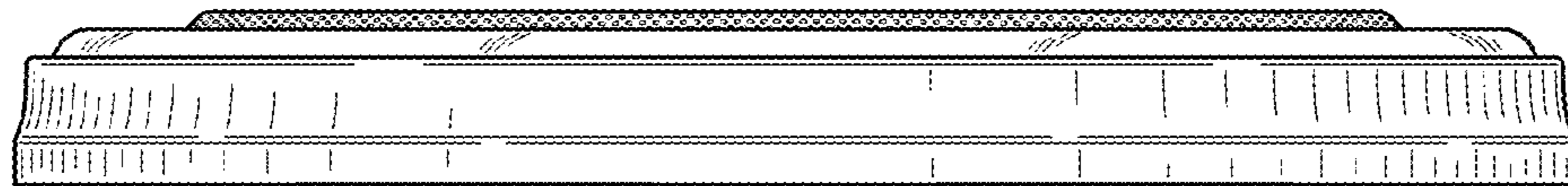


FIG. 3

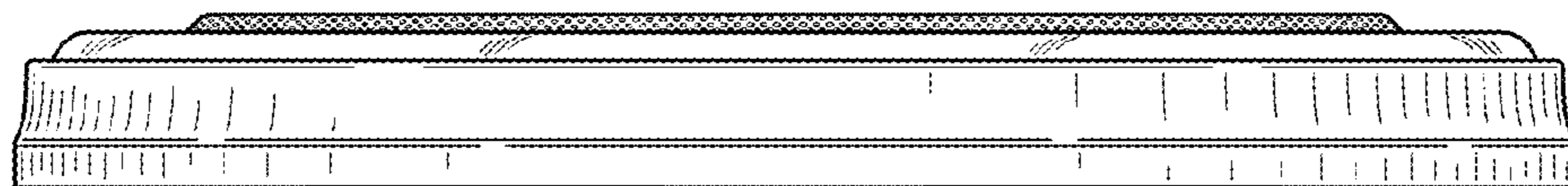


FIG. 4

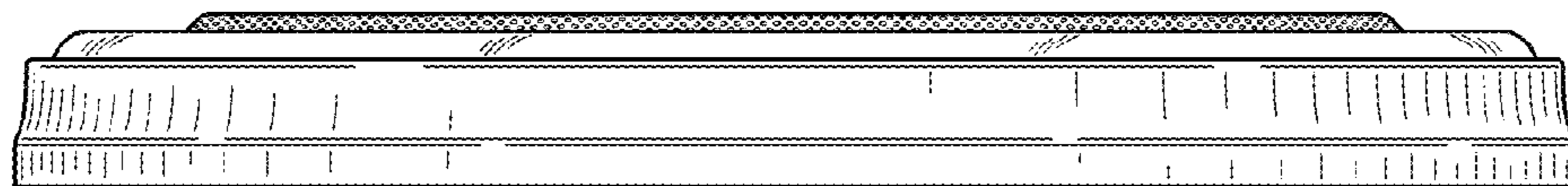


FIG. 5

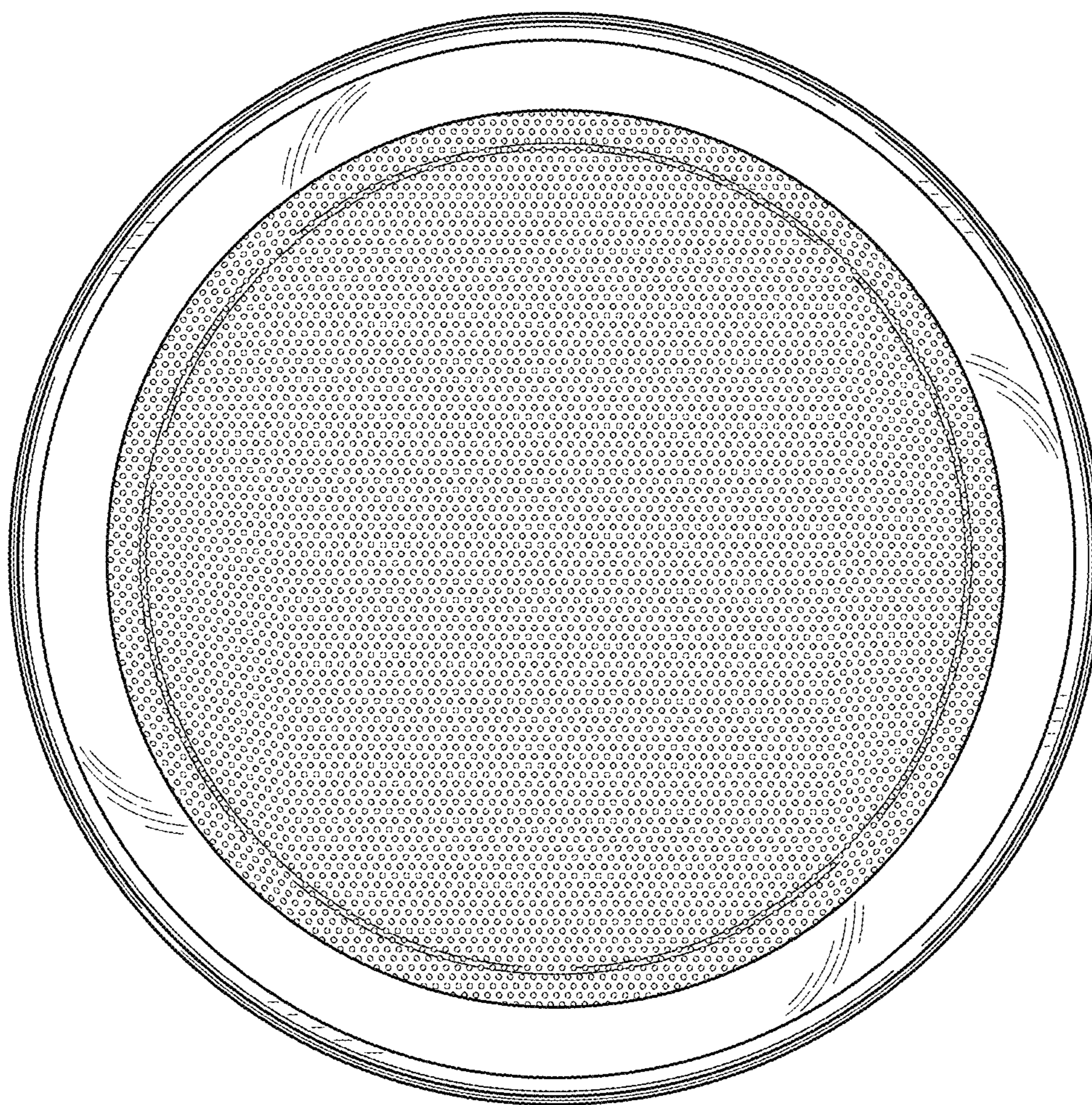


FIG. 6

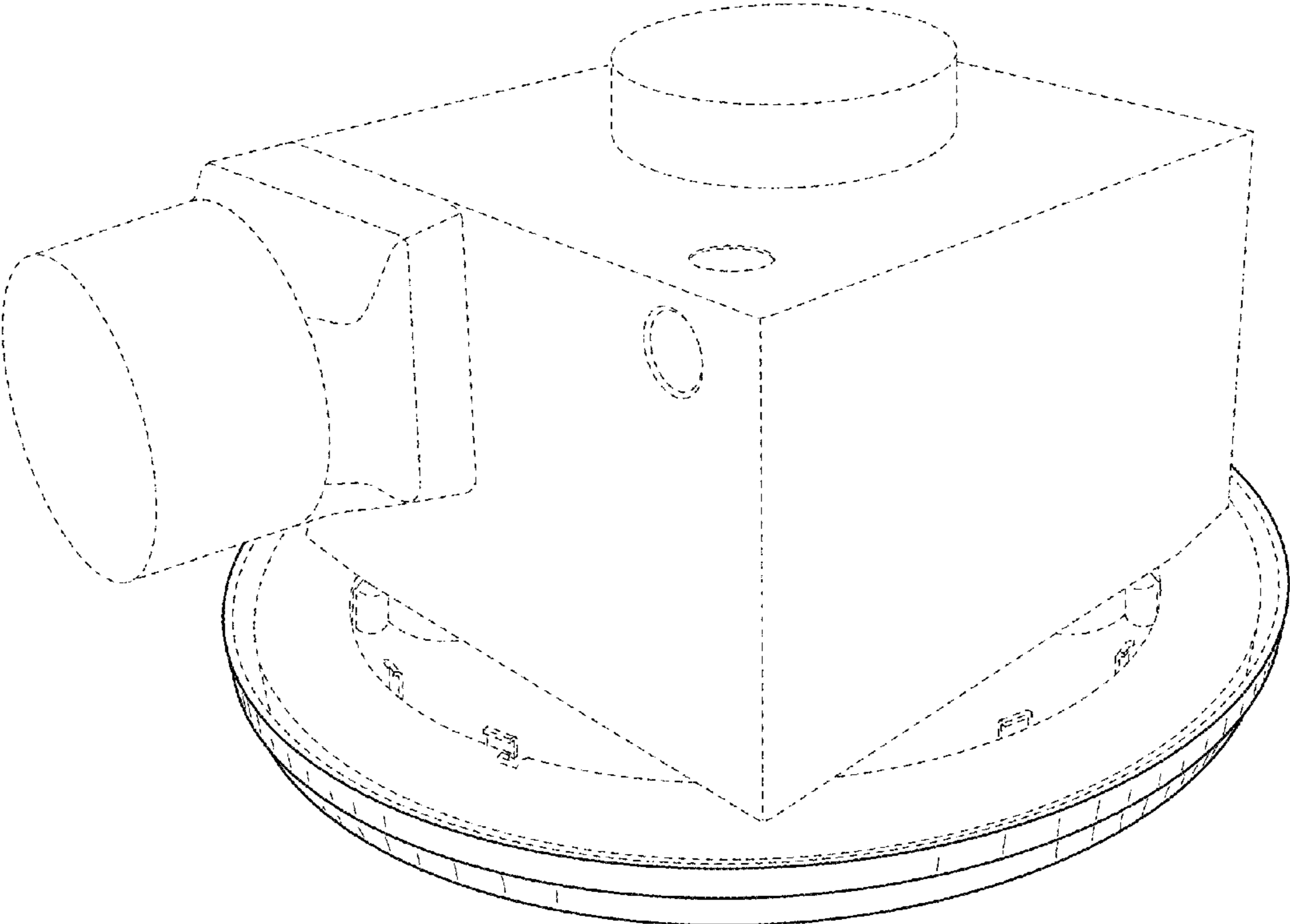


FIG. 7