



US00D752195S

(12) **United States Design Patent**
Choi

(10) **Patent No.:** **US D752,195 S**
(45) **Date of Patent:** **** Mar. 22, 2016**

(54) **DISPLAY SCREEN FOR AN AIR PURIFIER**

(71) Applicant: **Coway Co., LTD.**, Gongju-si,
Choongcheongnam-do (KR)

(72) Inventor: **Hun Jung Choi**, Goyang-si (KR)

(73) Assignee: **COWAY CO., LTD.**, Gongju-Si,
Choongcheongnam-Do (KR)

(**) Term: **14 Years**

(21) Appl. No.: **29/440,054**

(22) Filed: **Dec. 18, 2012**

(51) **LOC (10) Cl.** **23-04**

(52) **U.S. Cl.**
USPC **D23/364**

(58) **Field of Classification Search**
USPC D23/355, 359, 360, 364, 365, 386, 392,
D23/393, 401; D6/663, 667, 675; D5/1-3
See application file for complete search history.

(56) **References Cited**

U.S. PATENT DOCUMENTS

D512,494 S	*	12/2005	Haranaka	D23/355
D513,070 S	*	12/2005	Haranaka	D23/355
D523,414 S	*	6/2006	Kobayashi	D14/188
D539,883 S	*	4/2007	Lee et al.	D23/351
D557,394 S	*	12/2007	Martin et al.	D23/355

D581,506 S	*	11/2008	Kelnhofer	D23/360
D583,450 S	*	12/2008	Choi	D23/364
D625,398 S	*	10/2010	Choi	D23/364
D656,230 S	*	3/2012	Robinson et al.	D23/363
D664,636 S	*	7/2012	Robinson et al.	D23/360
D700,959 S	*	3/2014	Sickinger et al.	D23/355
D705,918 S	*	5/2014	Robinson et al.	D23/360
2009/0293888	A1*	12/2009	Williams et al.	131/178
2009/0293892	A1*	12/2009	Williams et al.	131/328

* cited by examiner

Primary Examiner — Sandra Snapp

(74) *Attorney, Agent, or Firm* — McDermott Will & Emery
LLP

(57) **CLAIM**

The ornamental design for a display screen for an air purifier,
as shown and described.

DESCRIPTION

FIGS. 1-7 are top, front perspective views of a display screen
for an air purifier as an inner circular element changes its
shape;

FIGS. 8-14 are bottom, left perspective views of FIGS. 1-7;

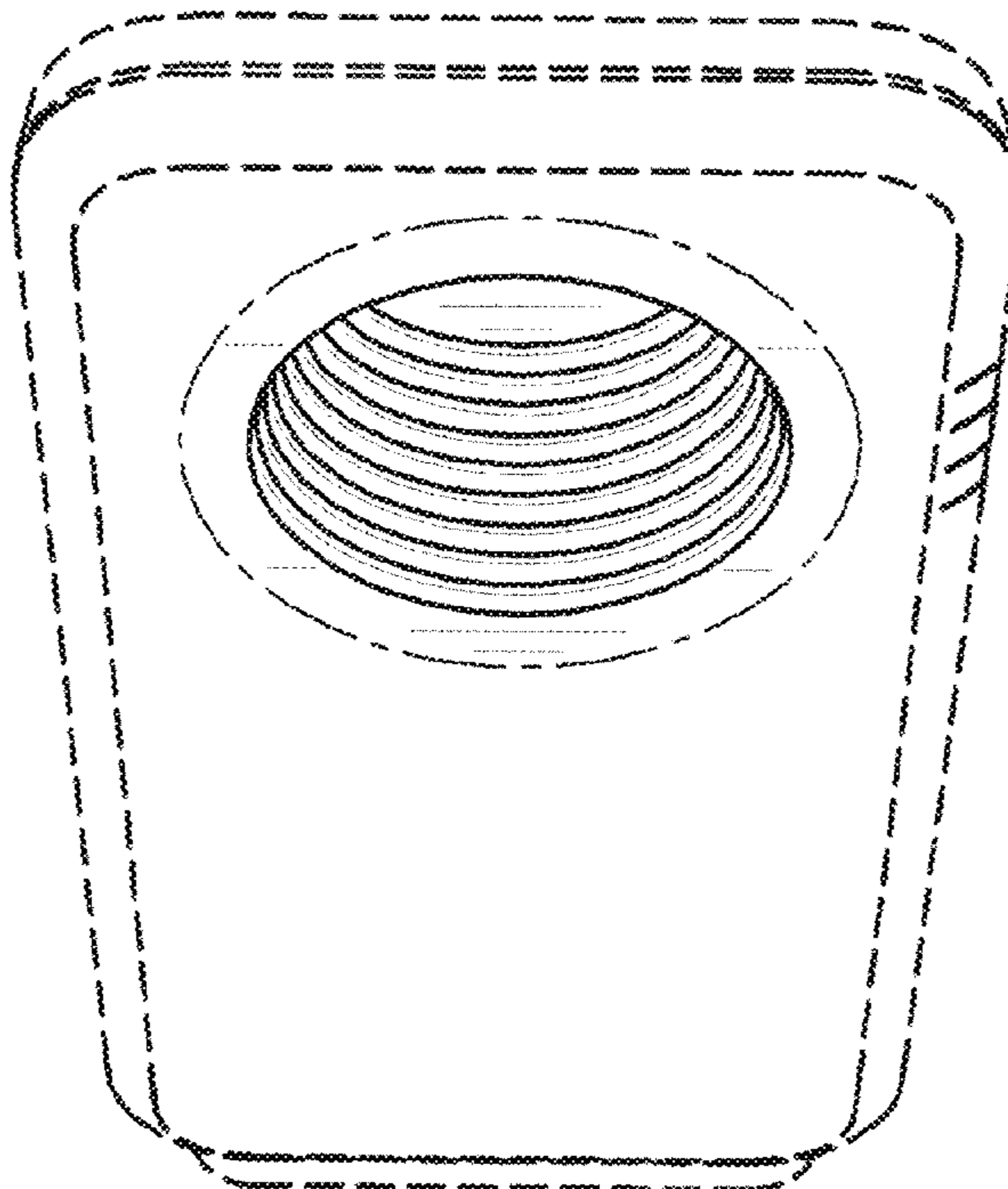
FIGS. 15-21 are front elevation views of FIGS. 1-7;

FIGS. 22-28 are bottom, right perspective views of FIGS. 1-7;
and,

FIGS. 29-35 are bottom, front perspective views of FIGS. 1-7.

The broken lines showing various elements of the display
screen for an air purifier are included for the purpose of
illustrating non-claimed subject matter and form no part of
the claimed design.

1 Claim, 35 Drawing Sheets



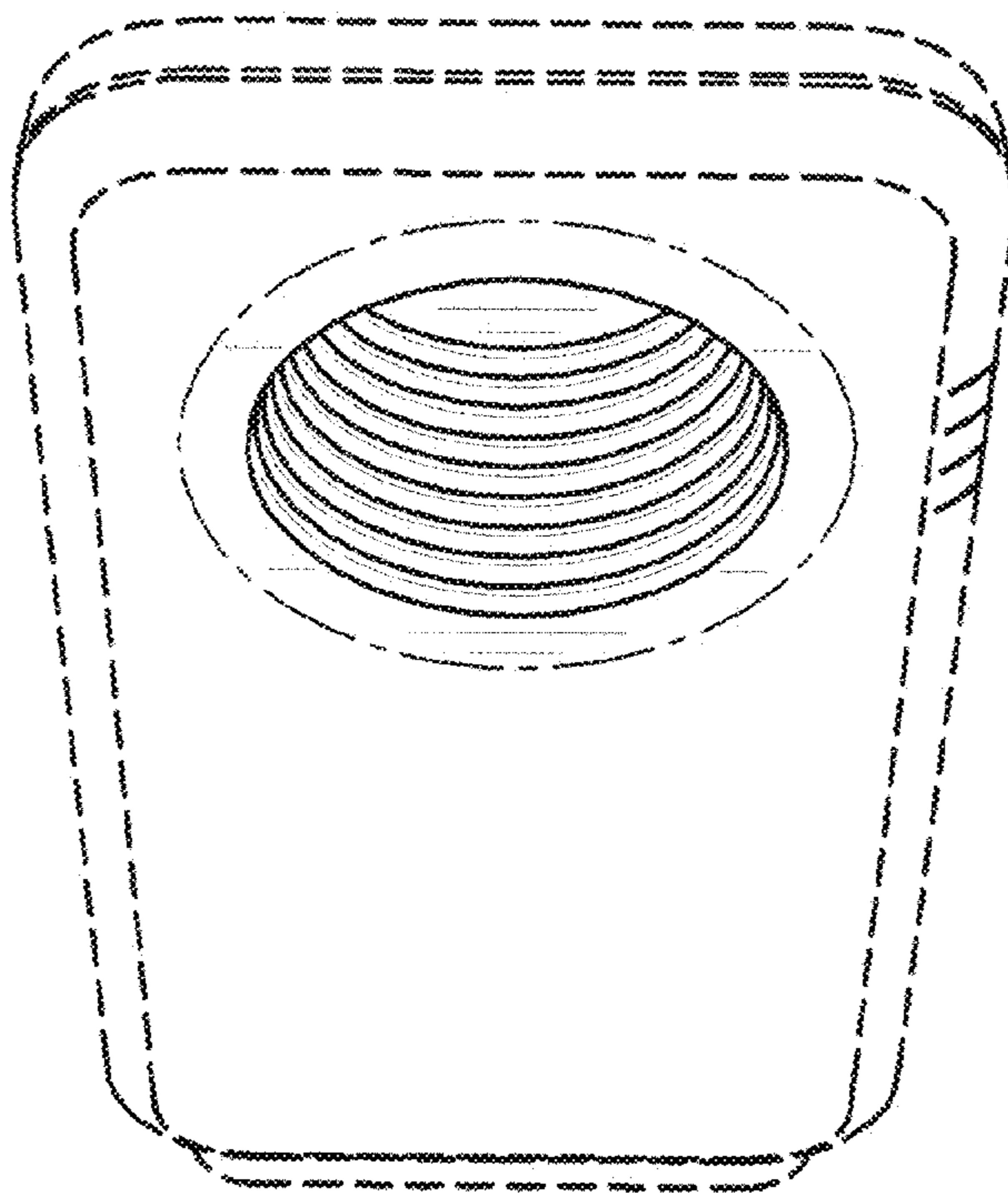


FIG. 1

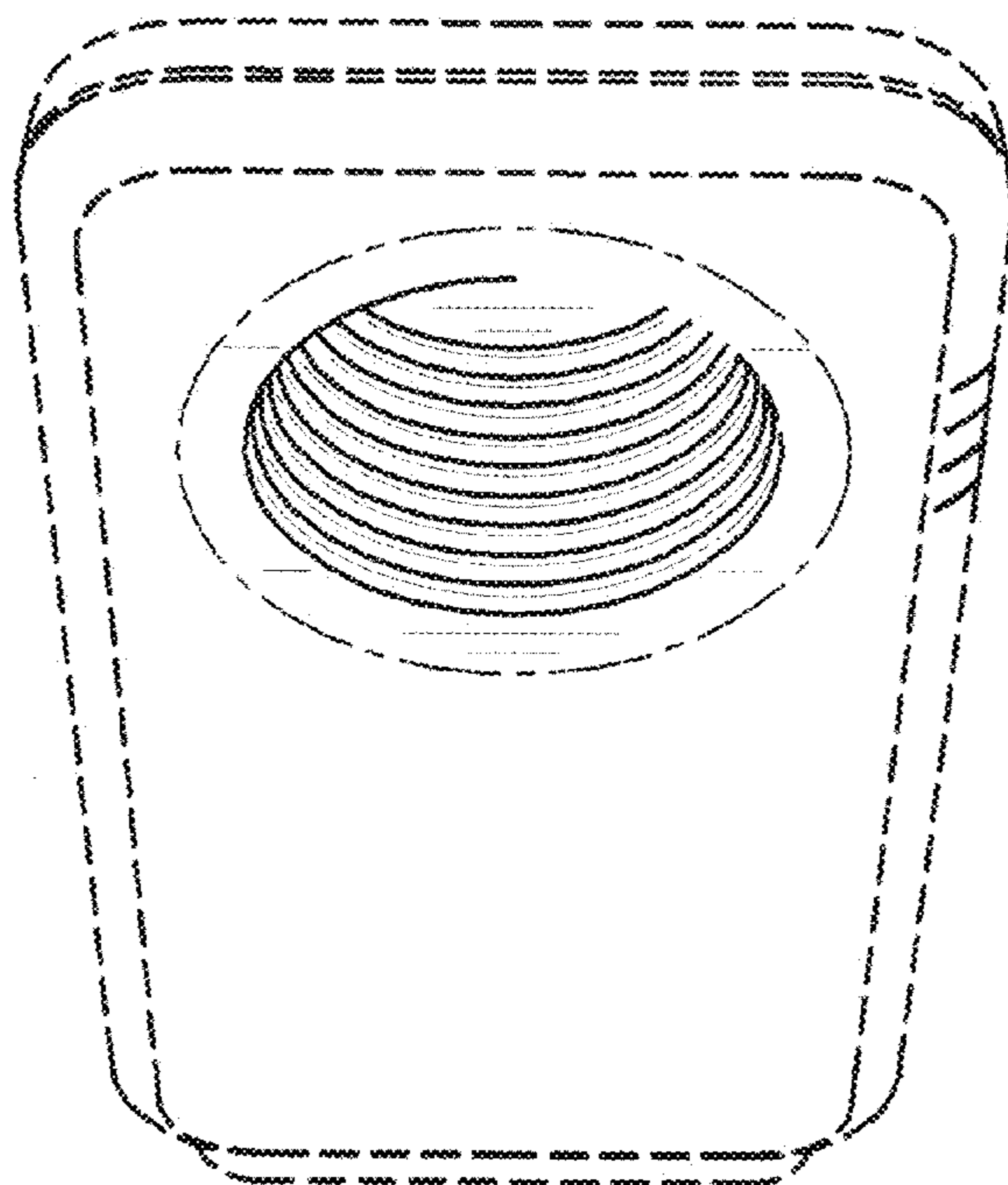


FIG. 2

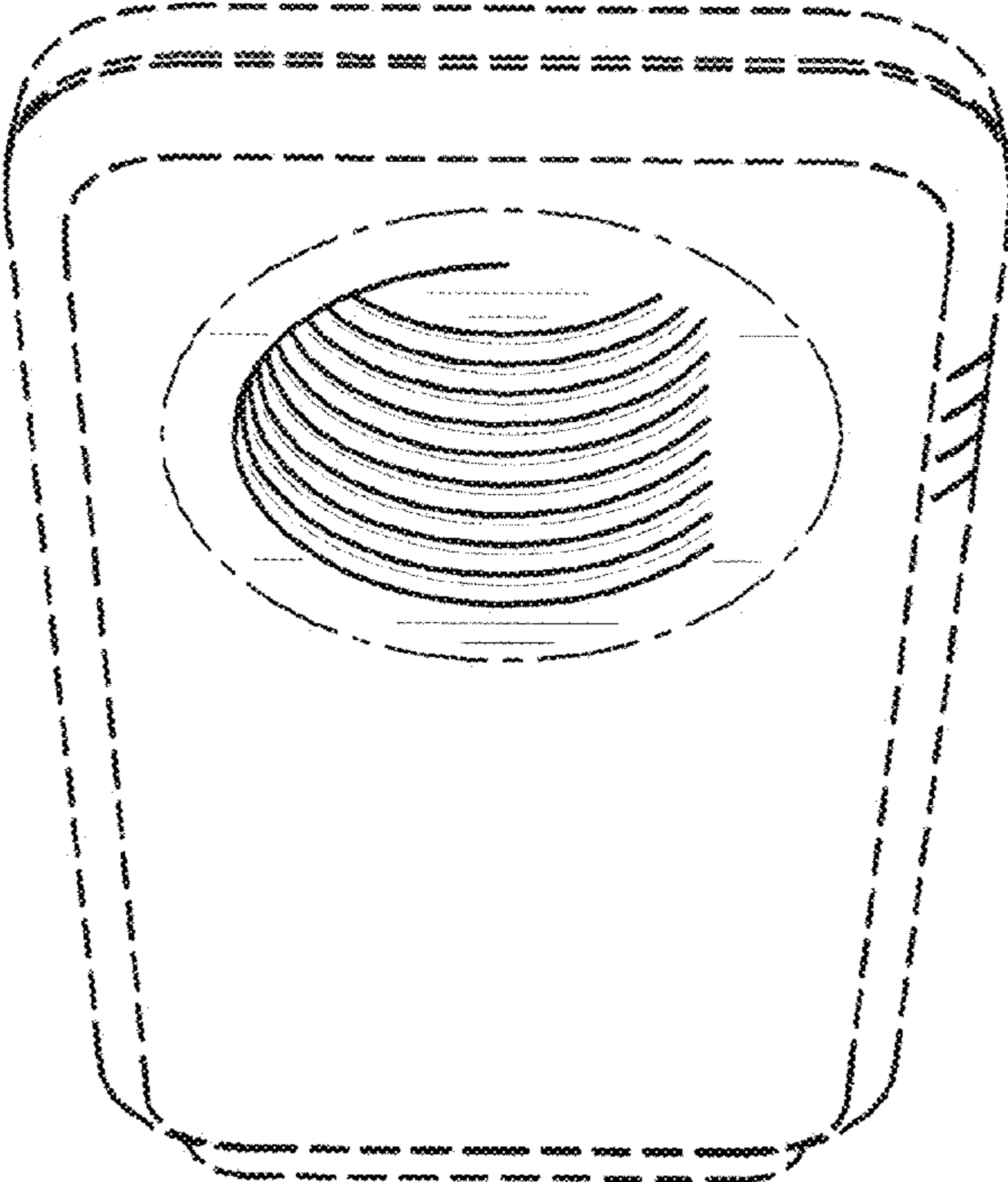


FIG. 3

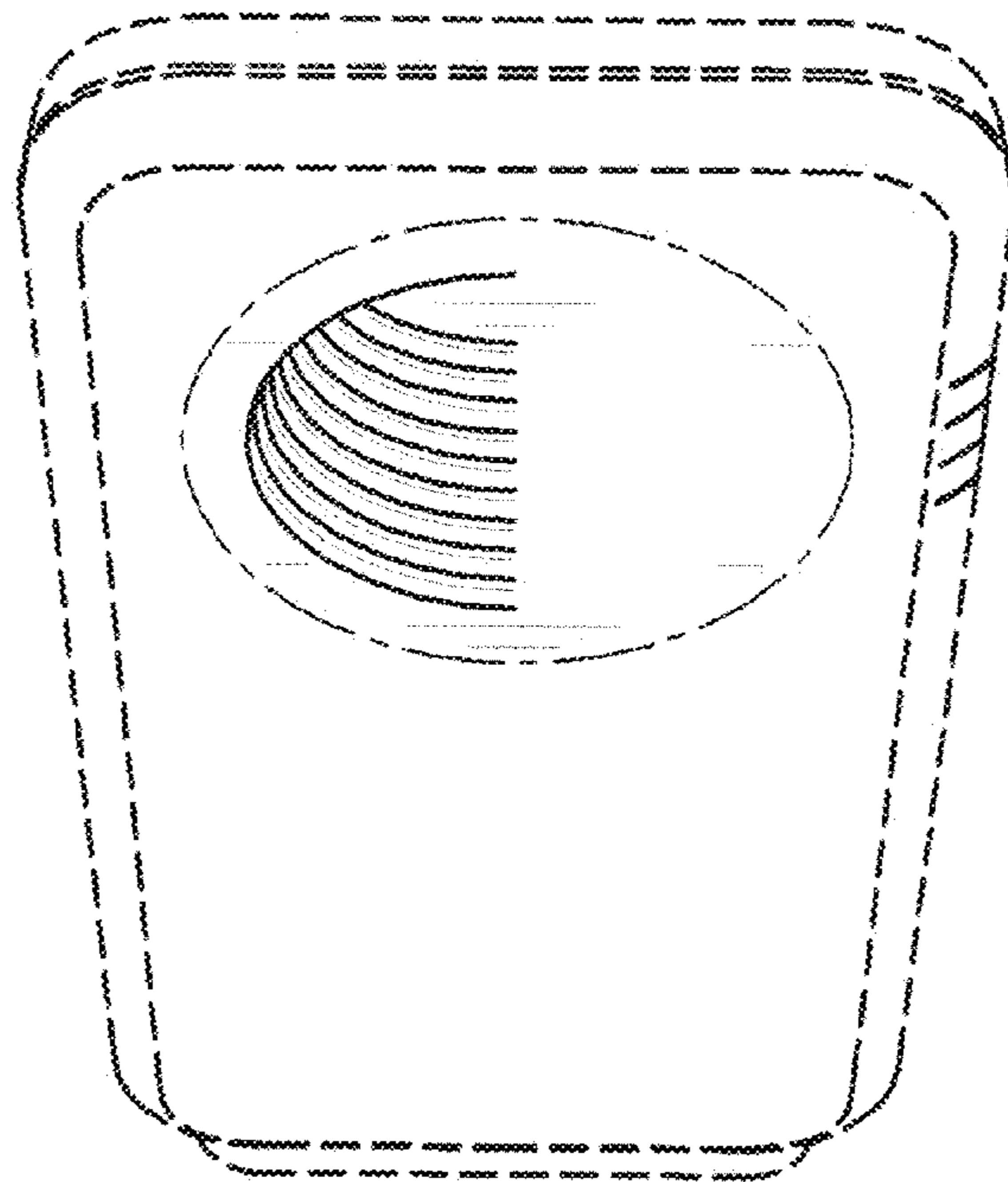


FIG. 4

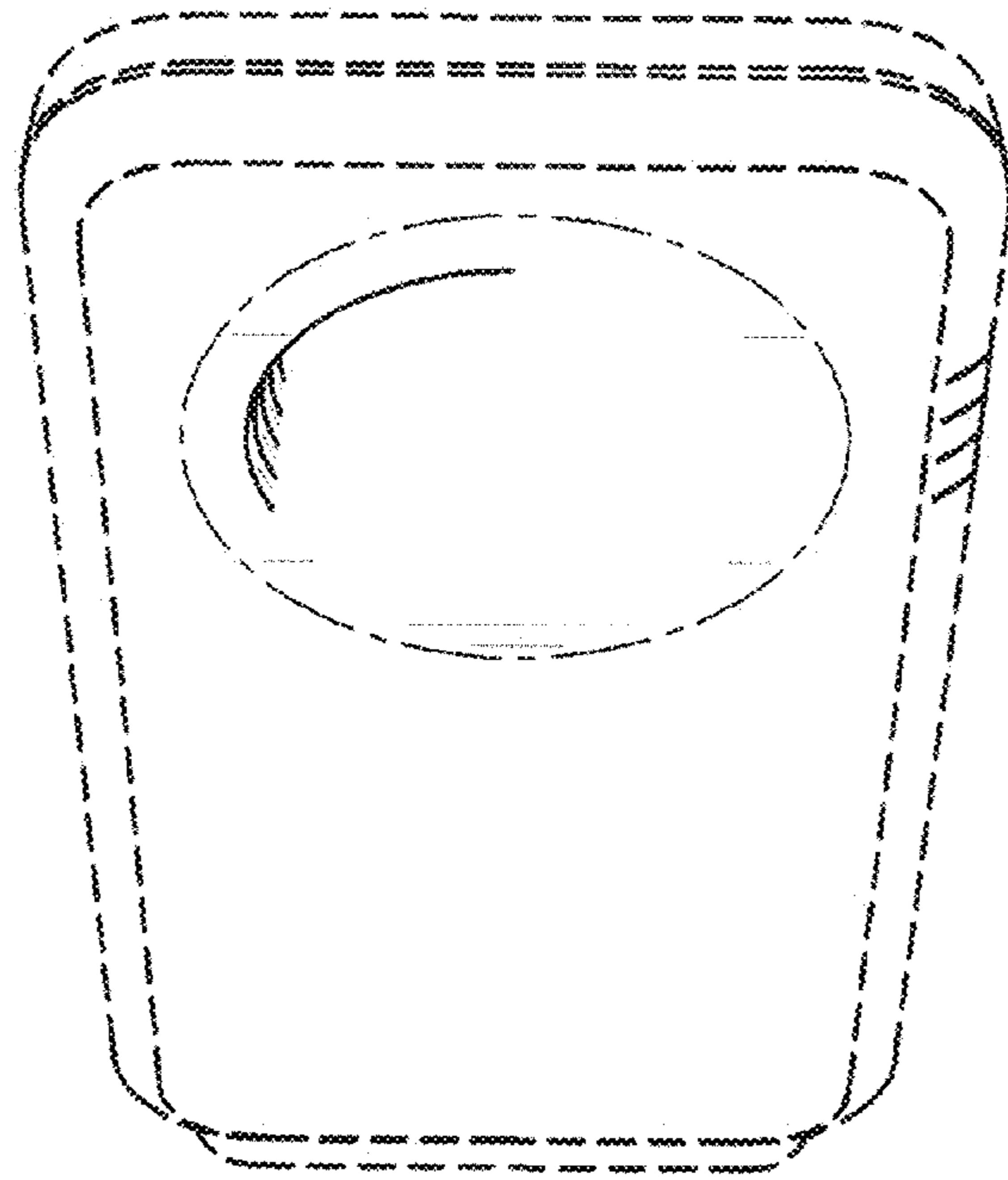


FIG. 5

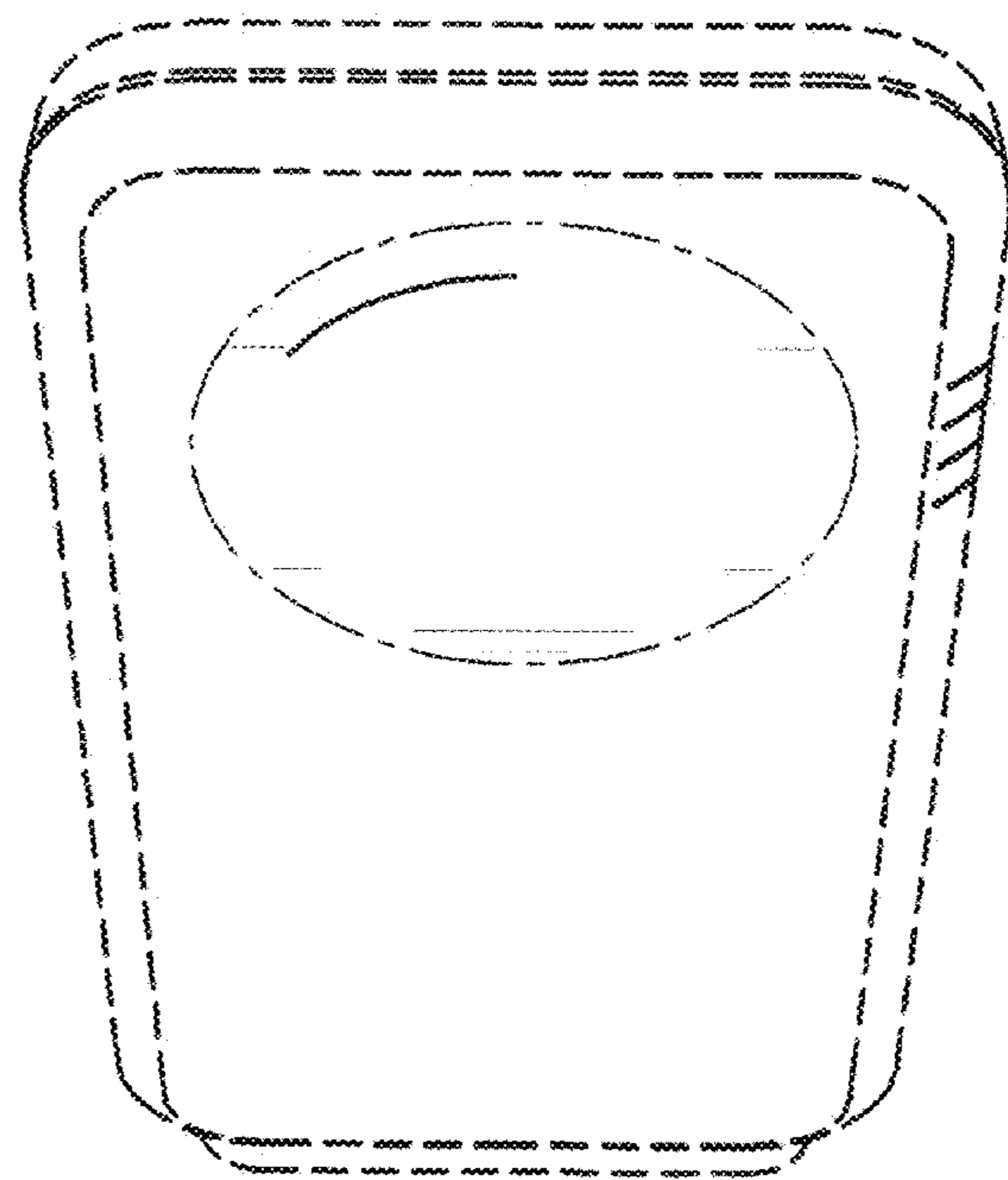


FIG. 6

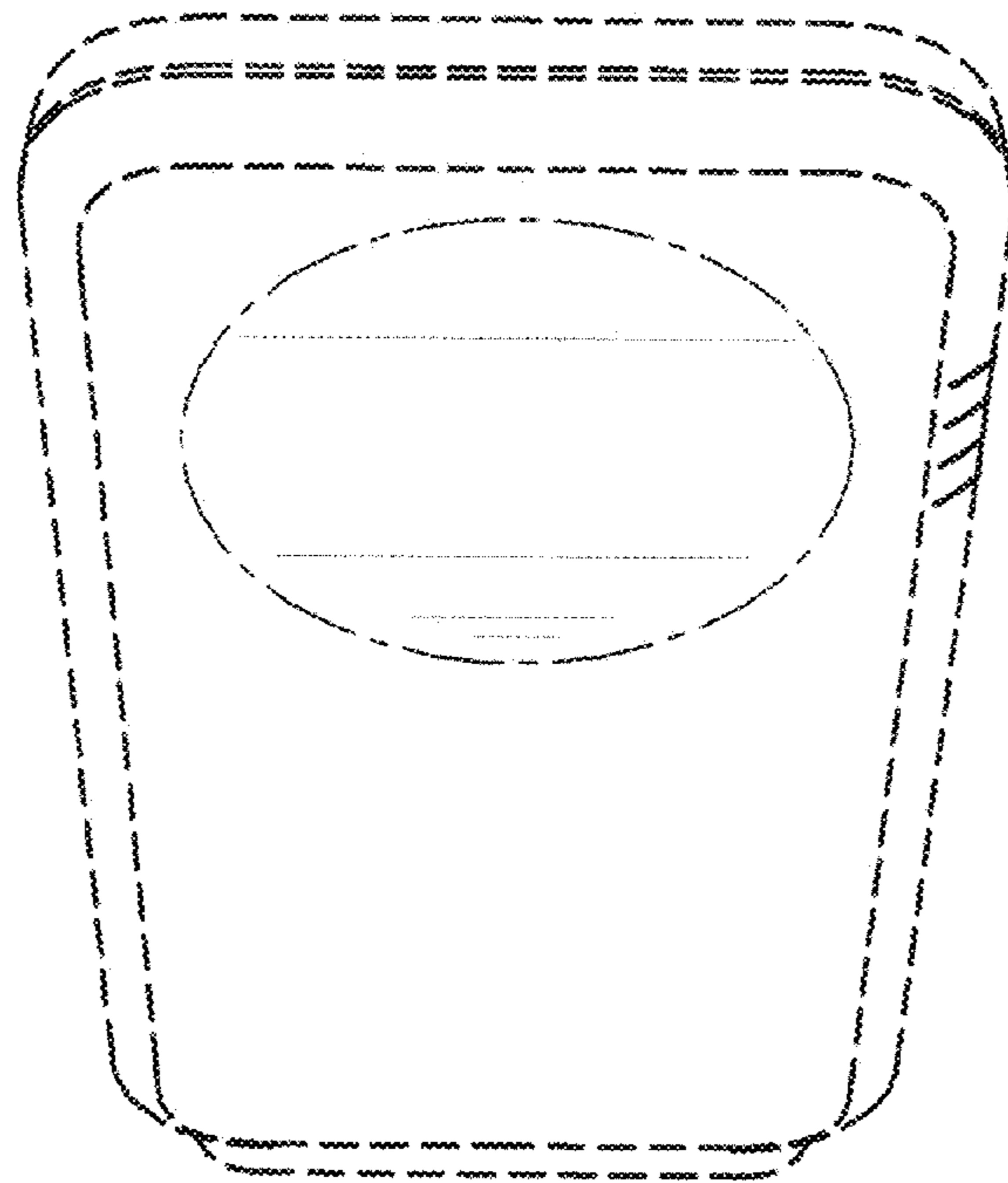


FIG. 7

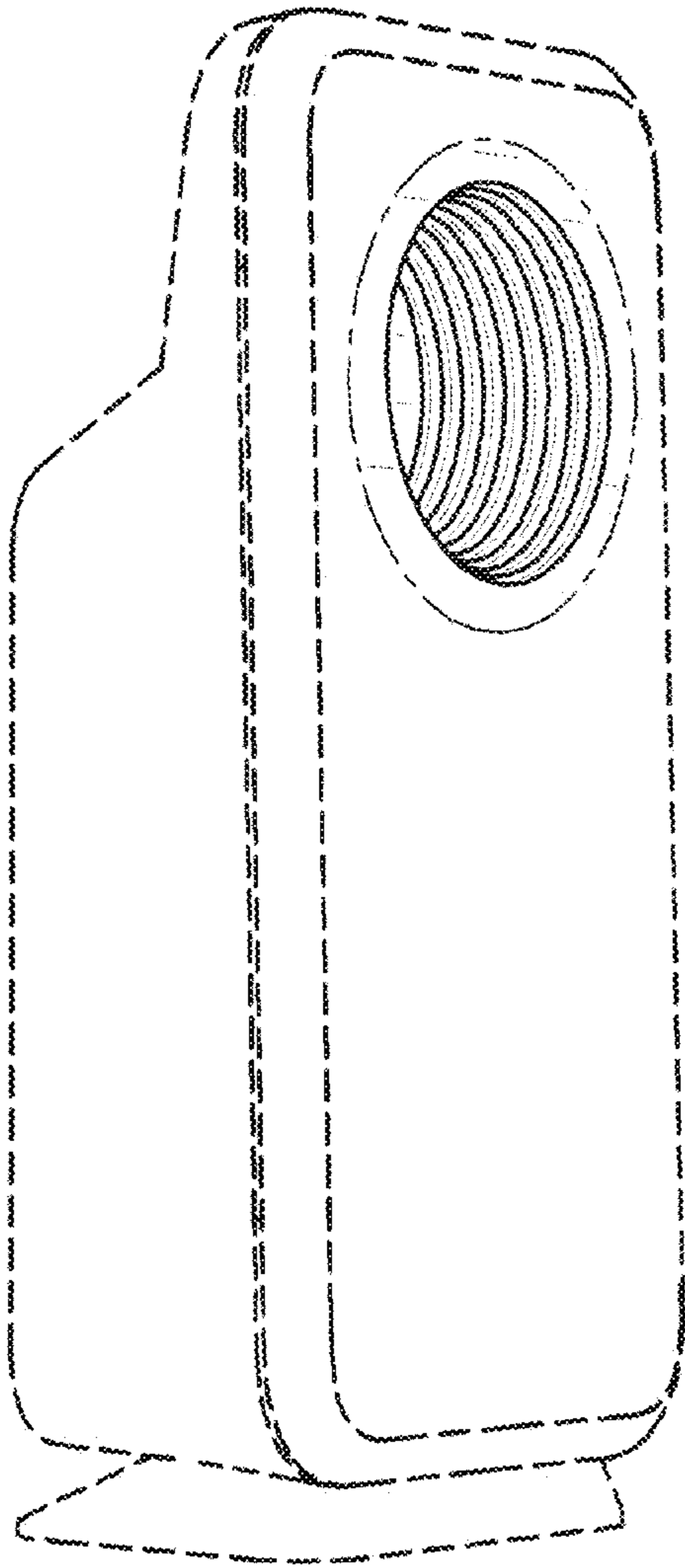


FIG. 8

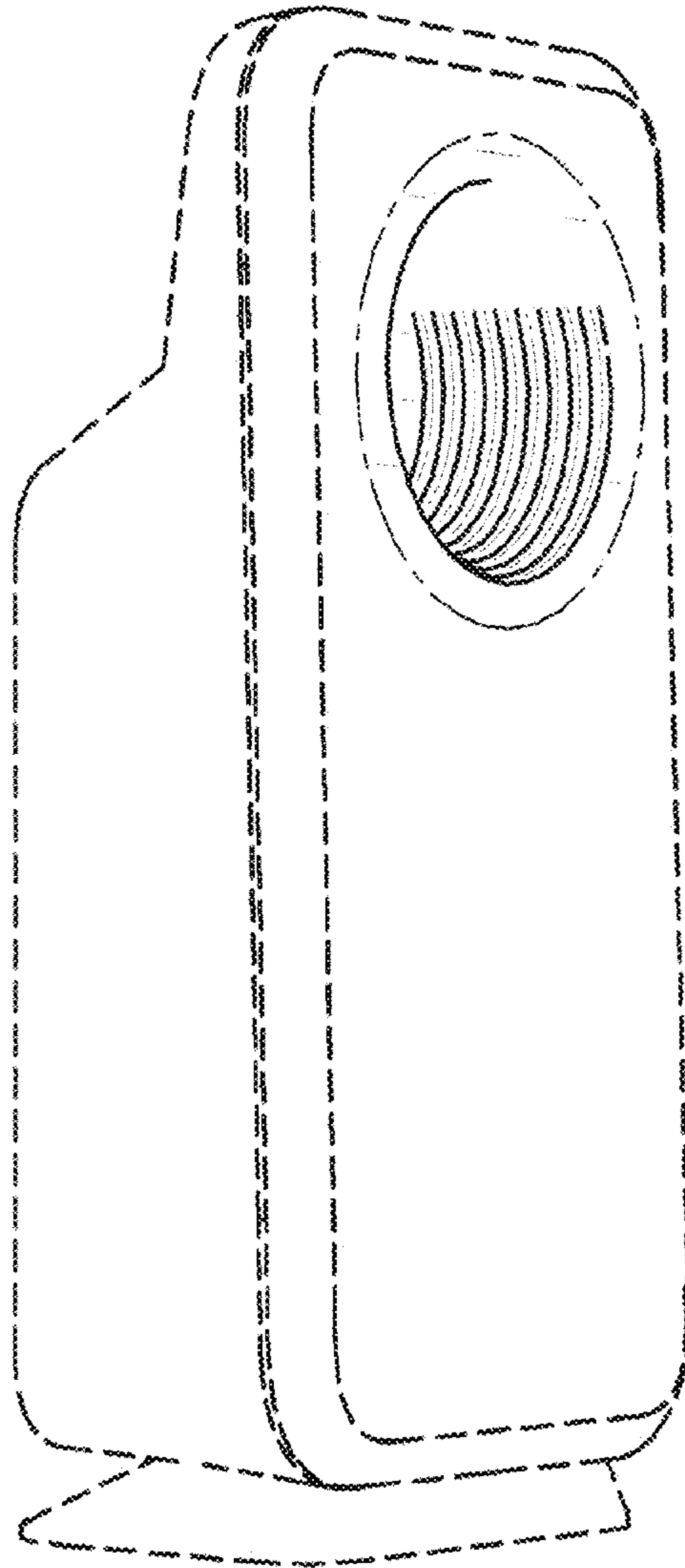


FIG. 9

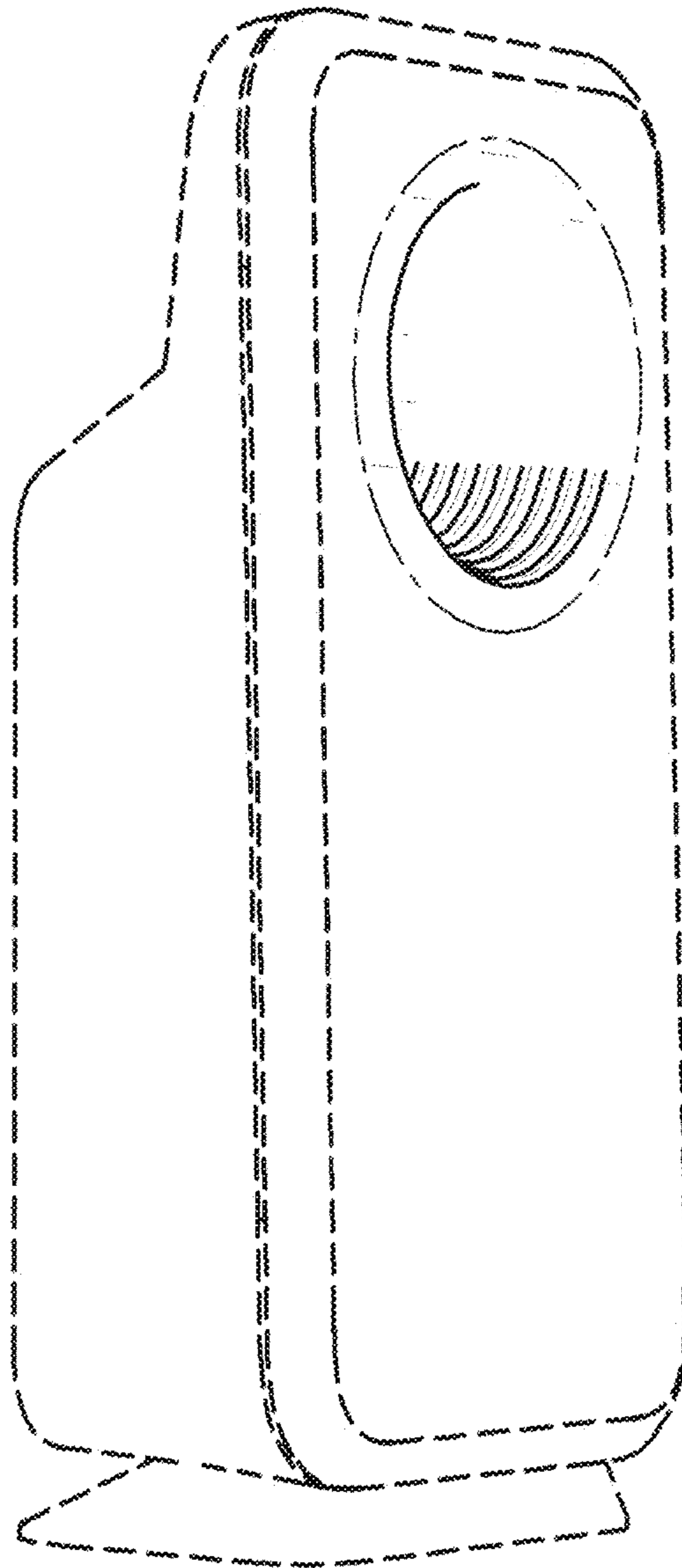


FIG. 10

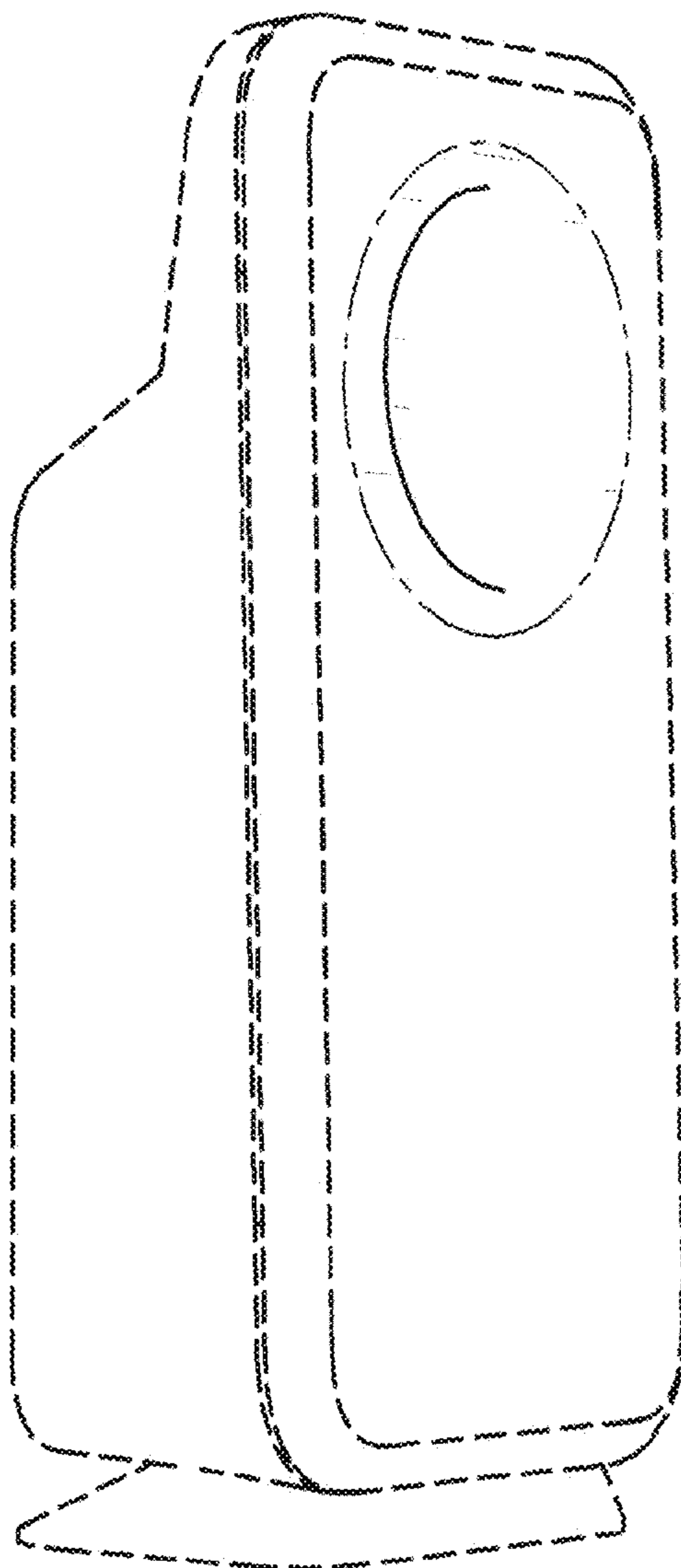


FIG. 11

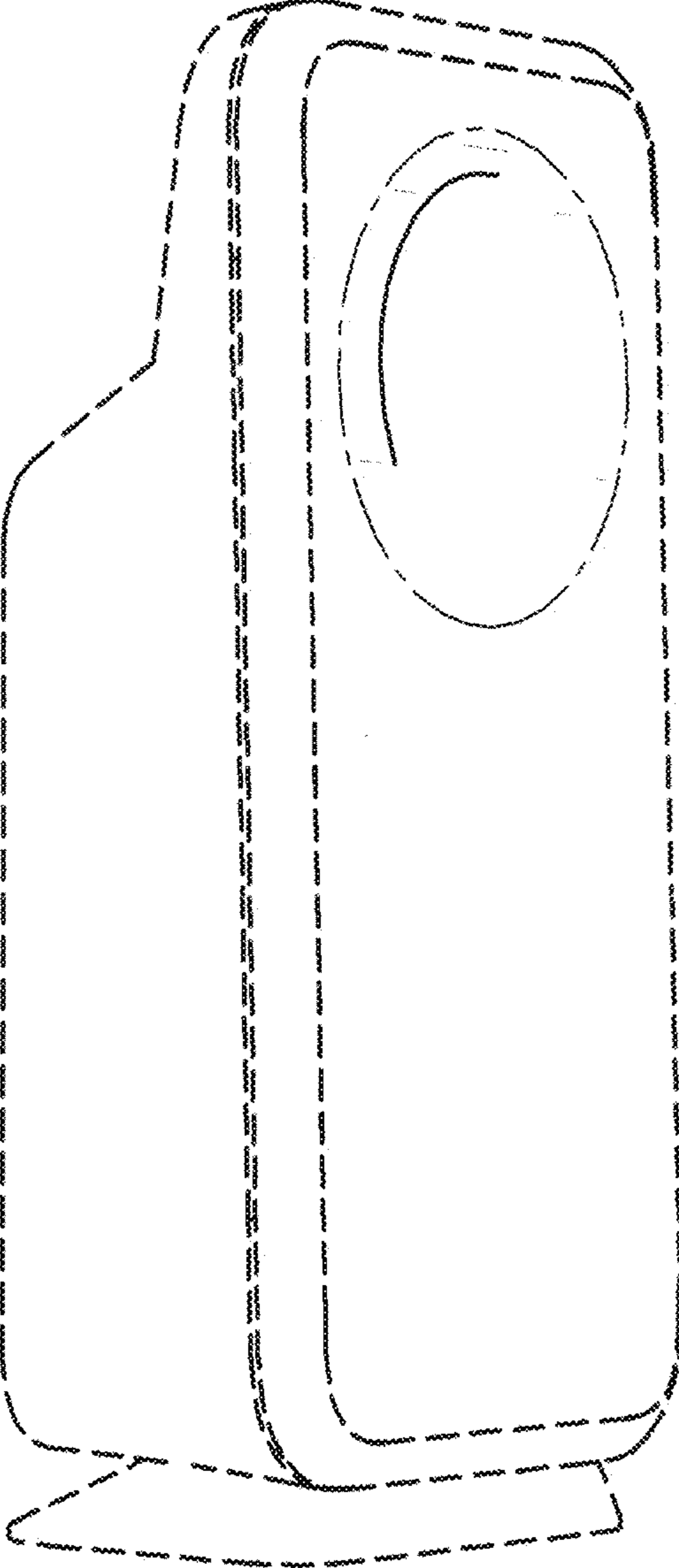


FIG. 12

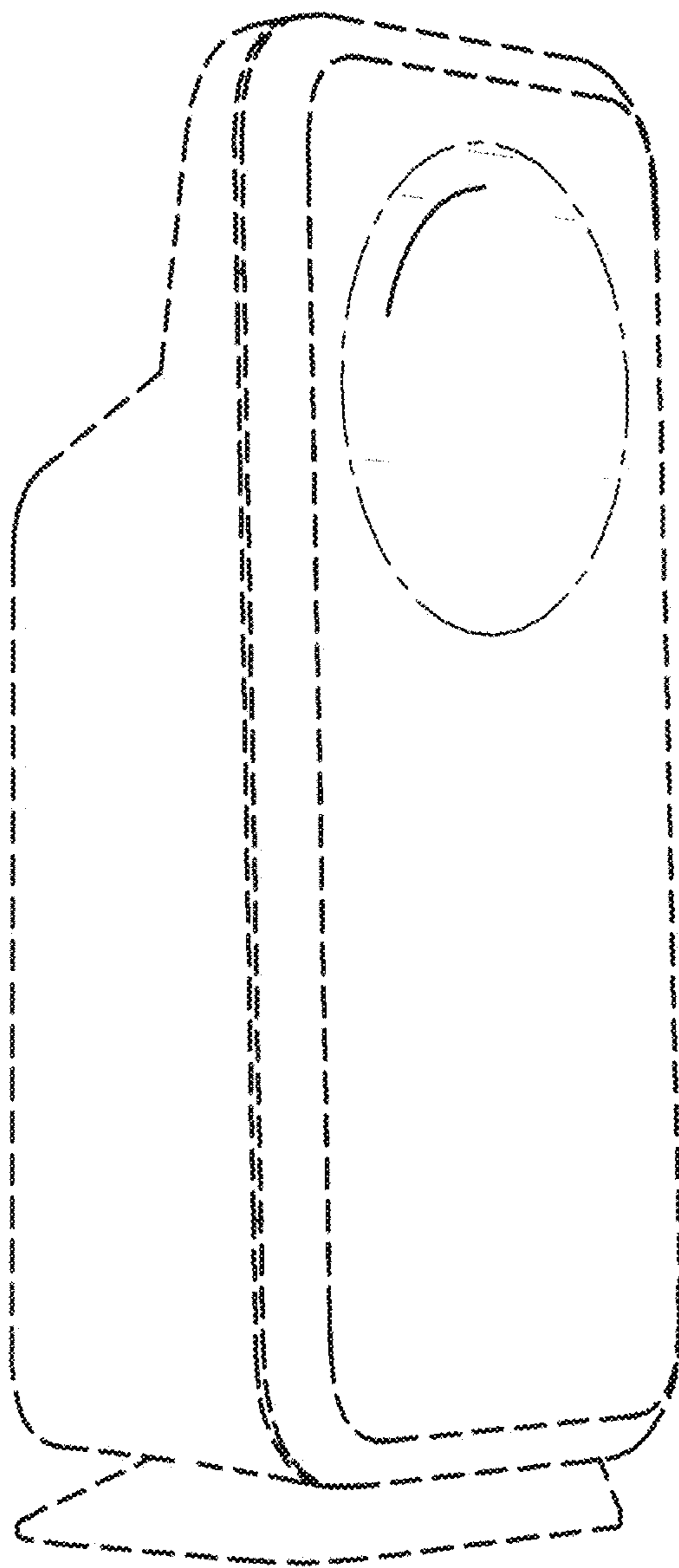


FIG. 13

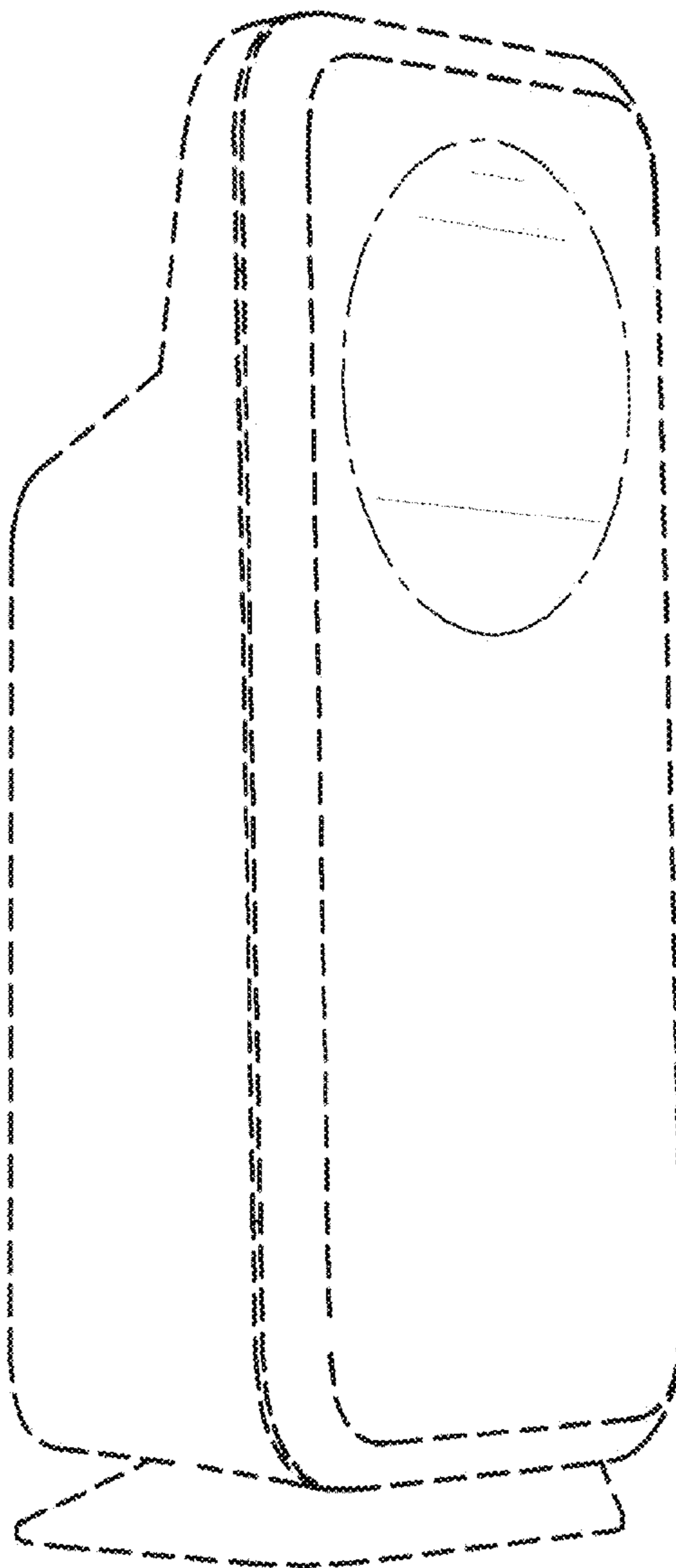


FIG. 14

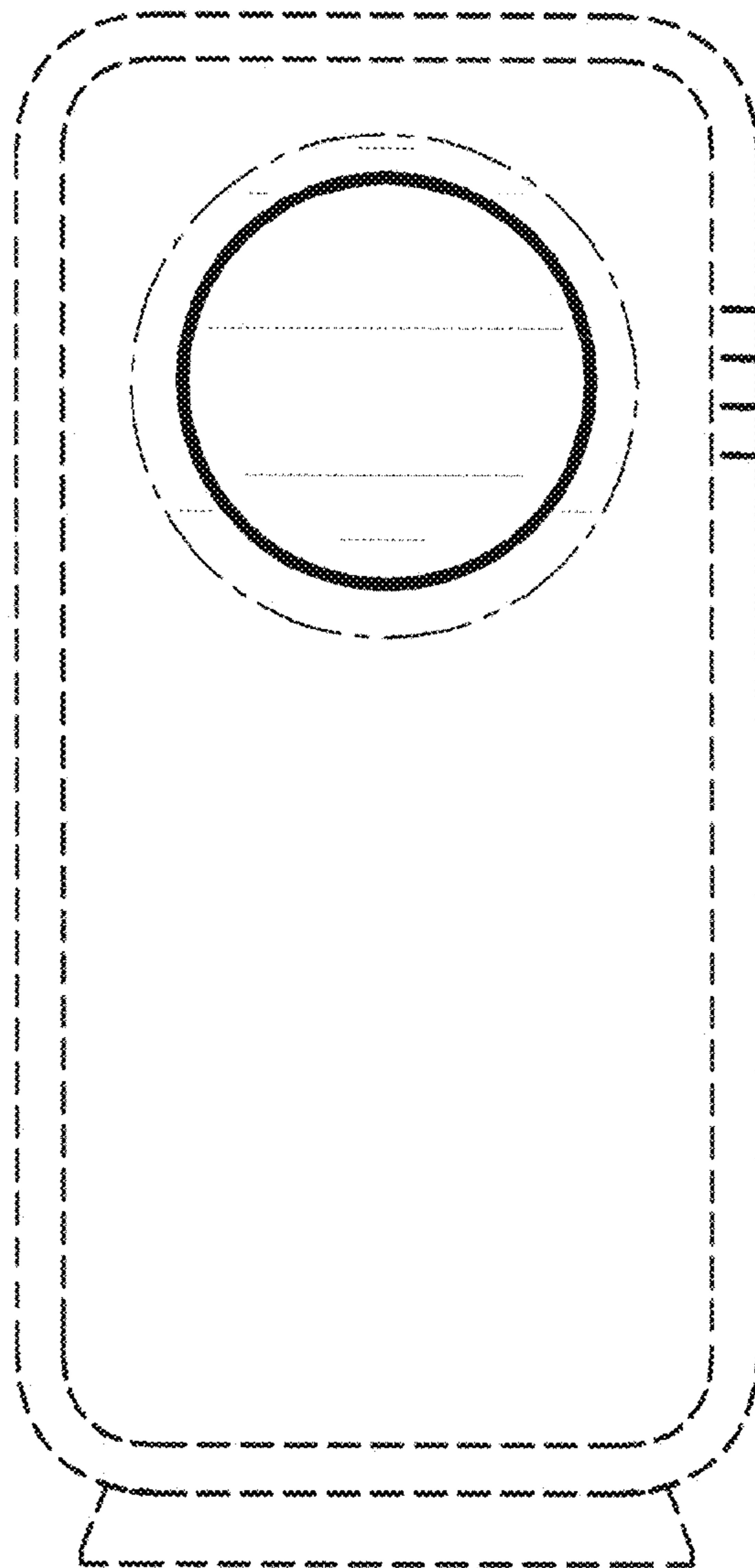


FIG. 15

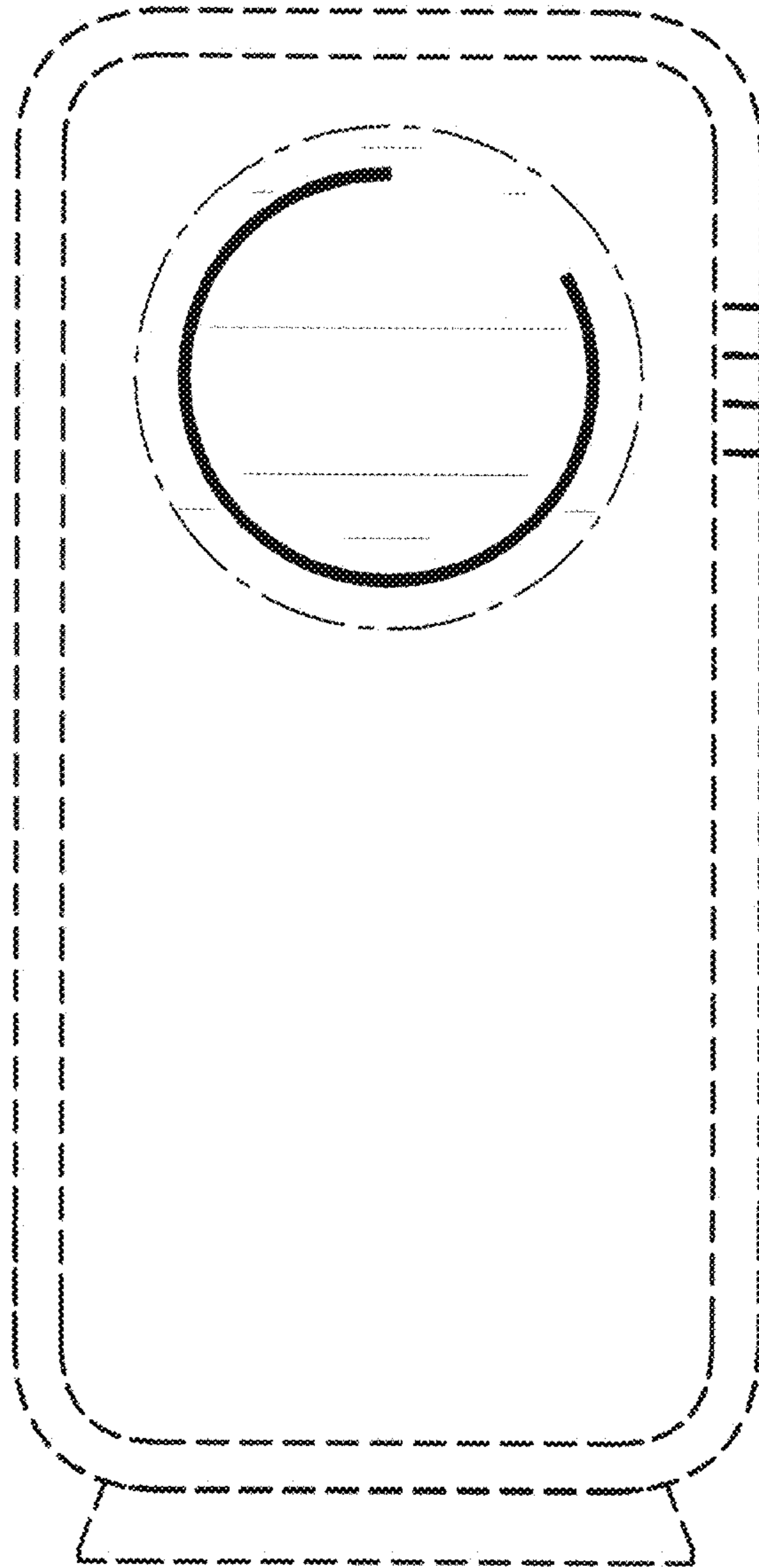


FIG. 16

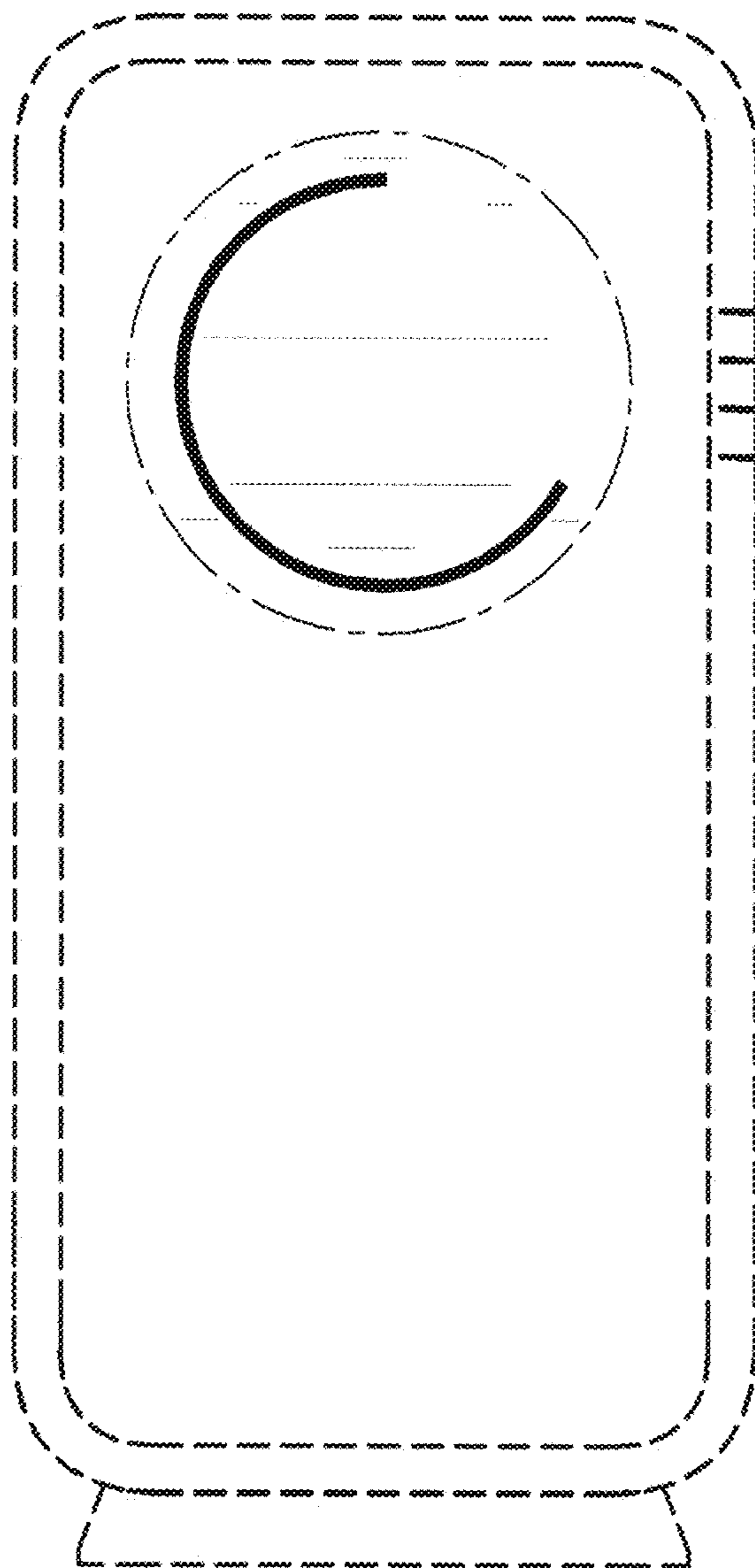


FIG. 17

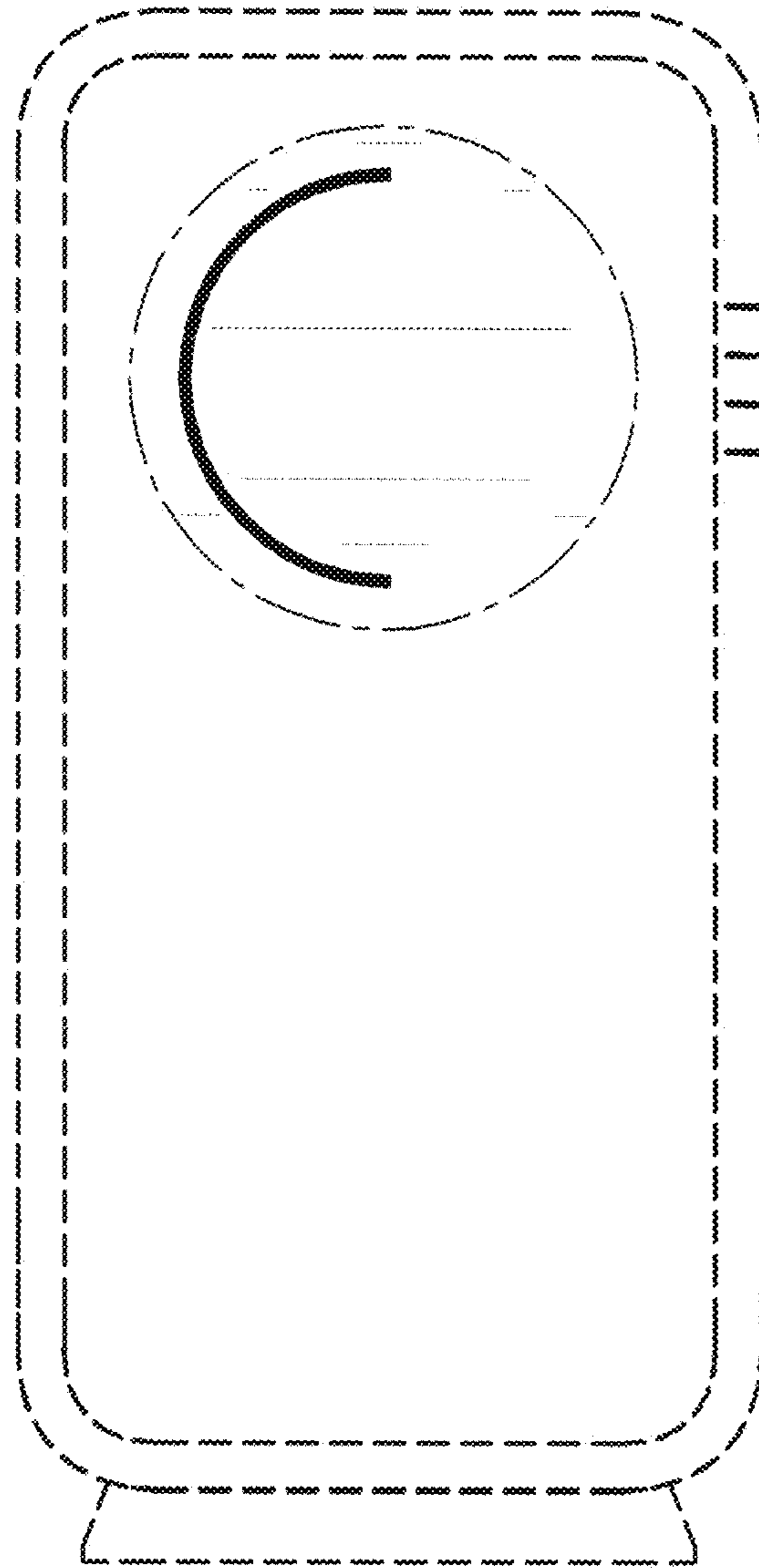


FIG. 18

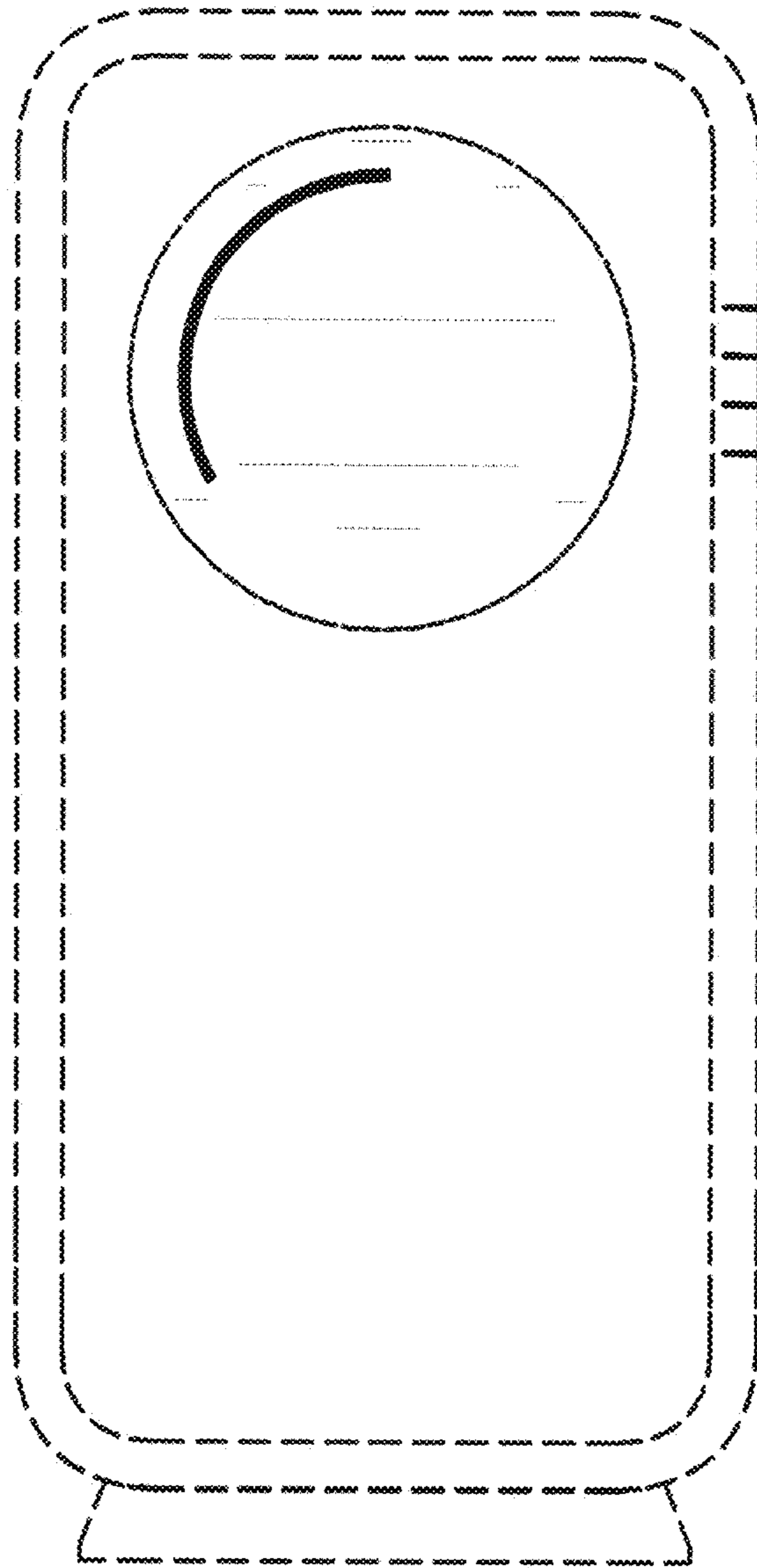


FIG. 19

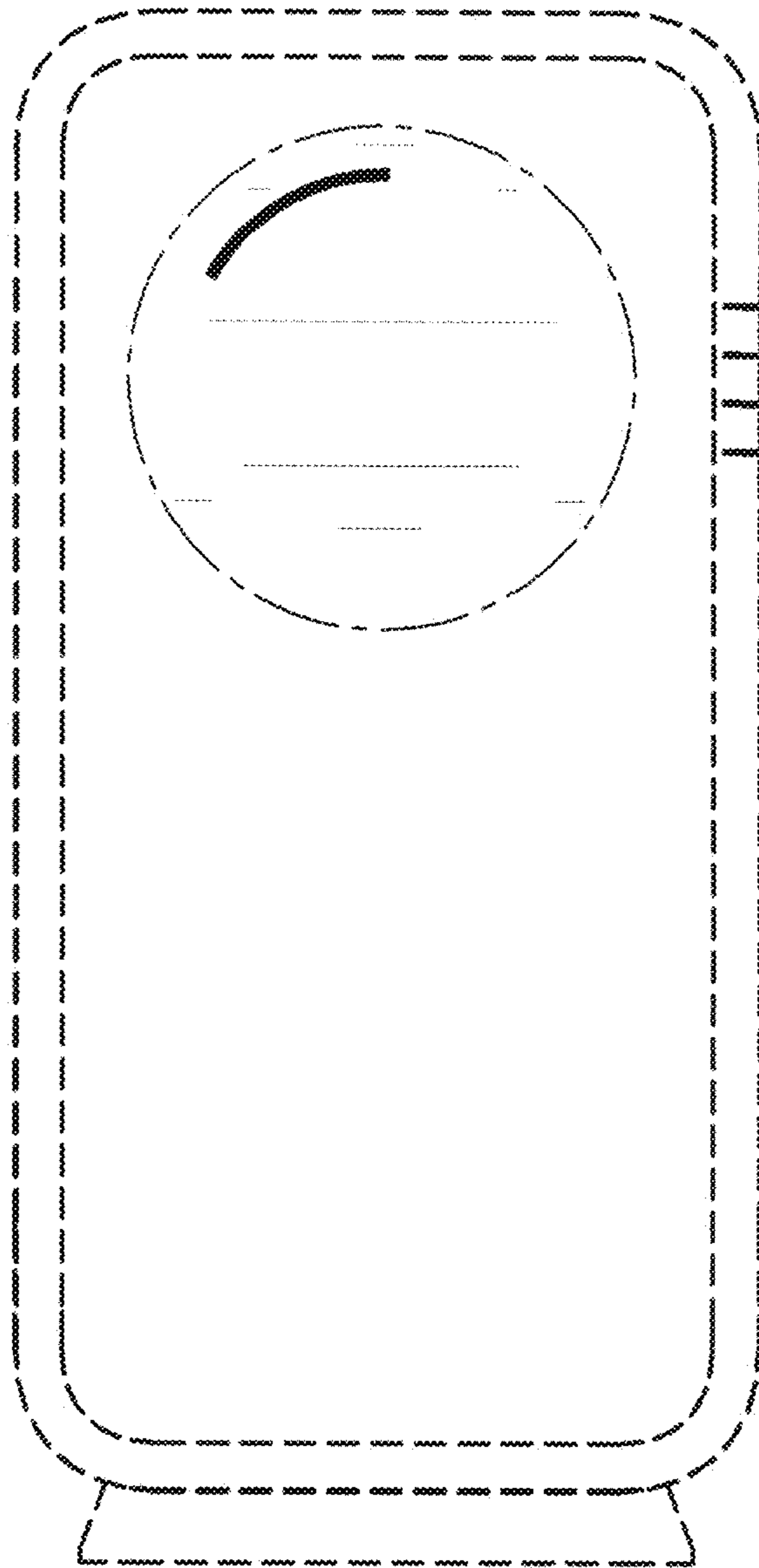


FIG. 20

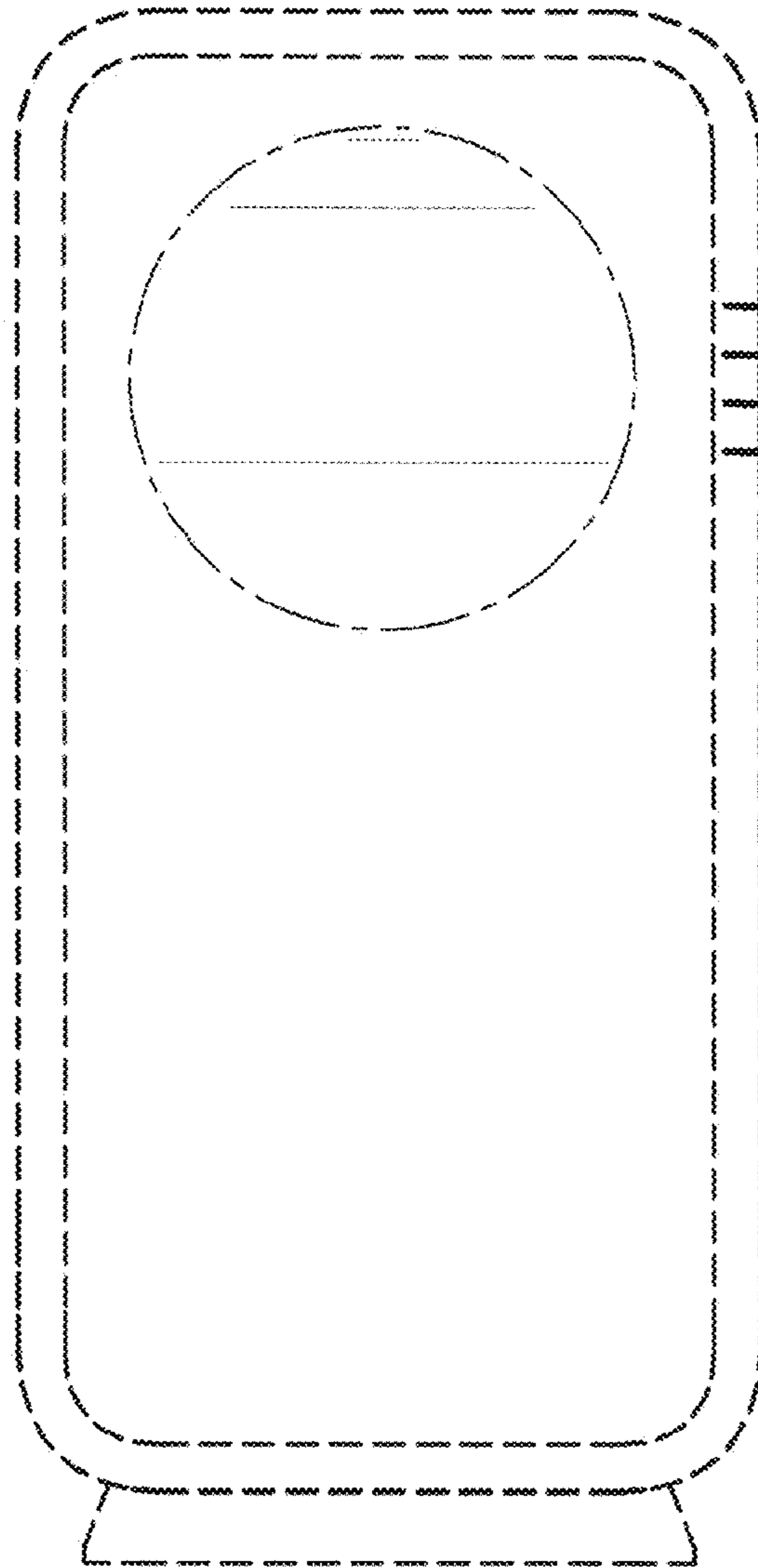


FIG. 21

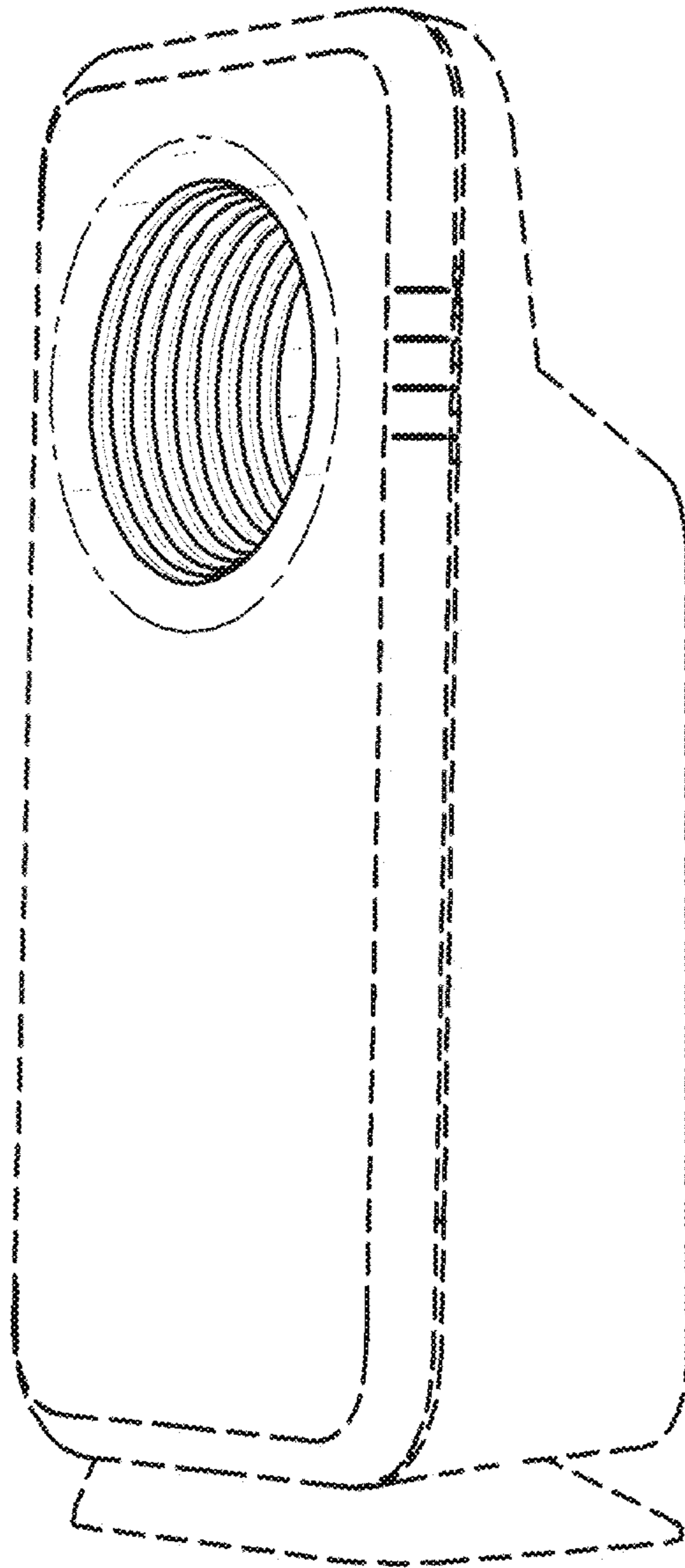


FIG. 22

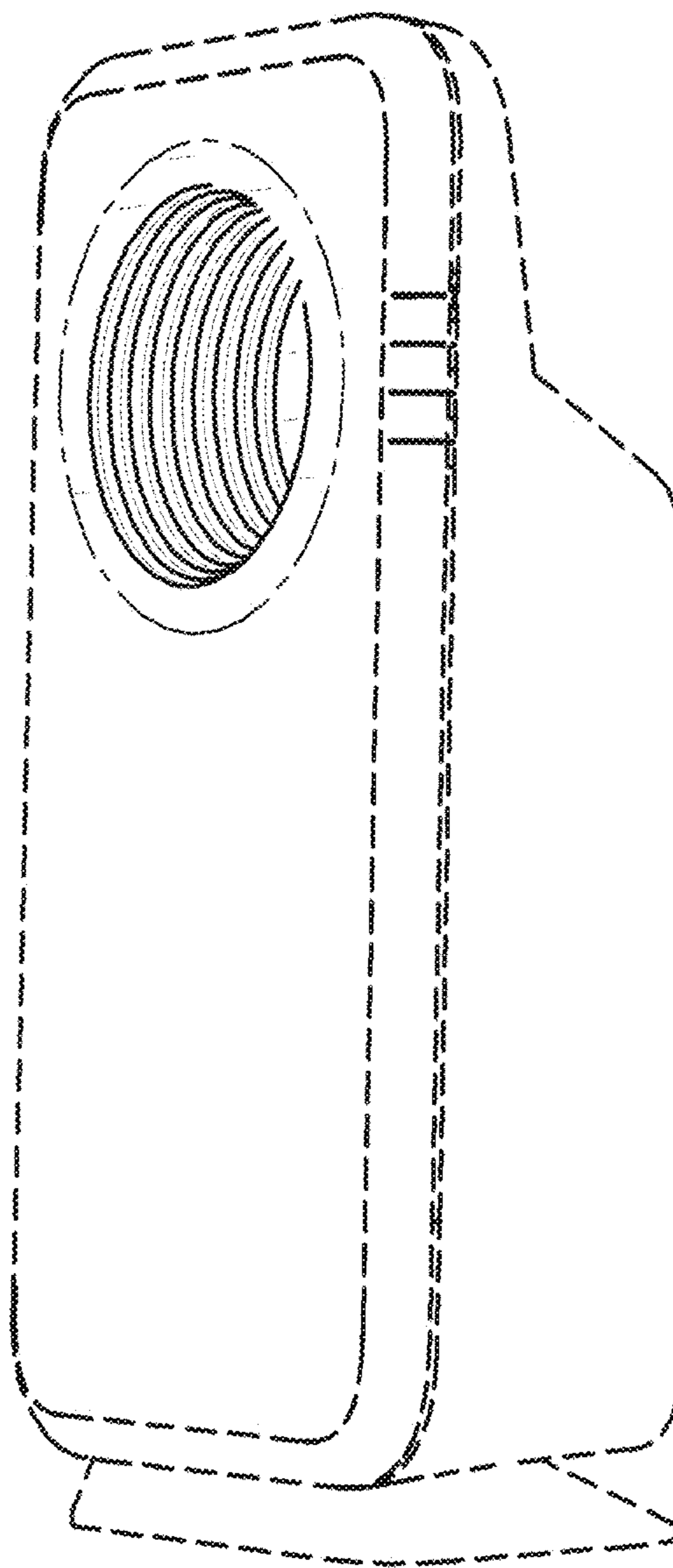


FIG. 23

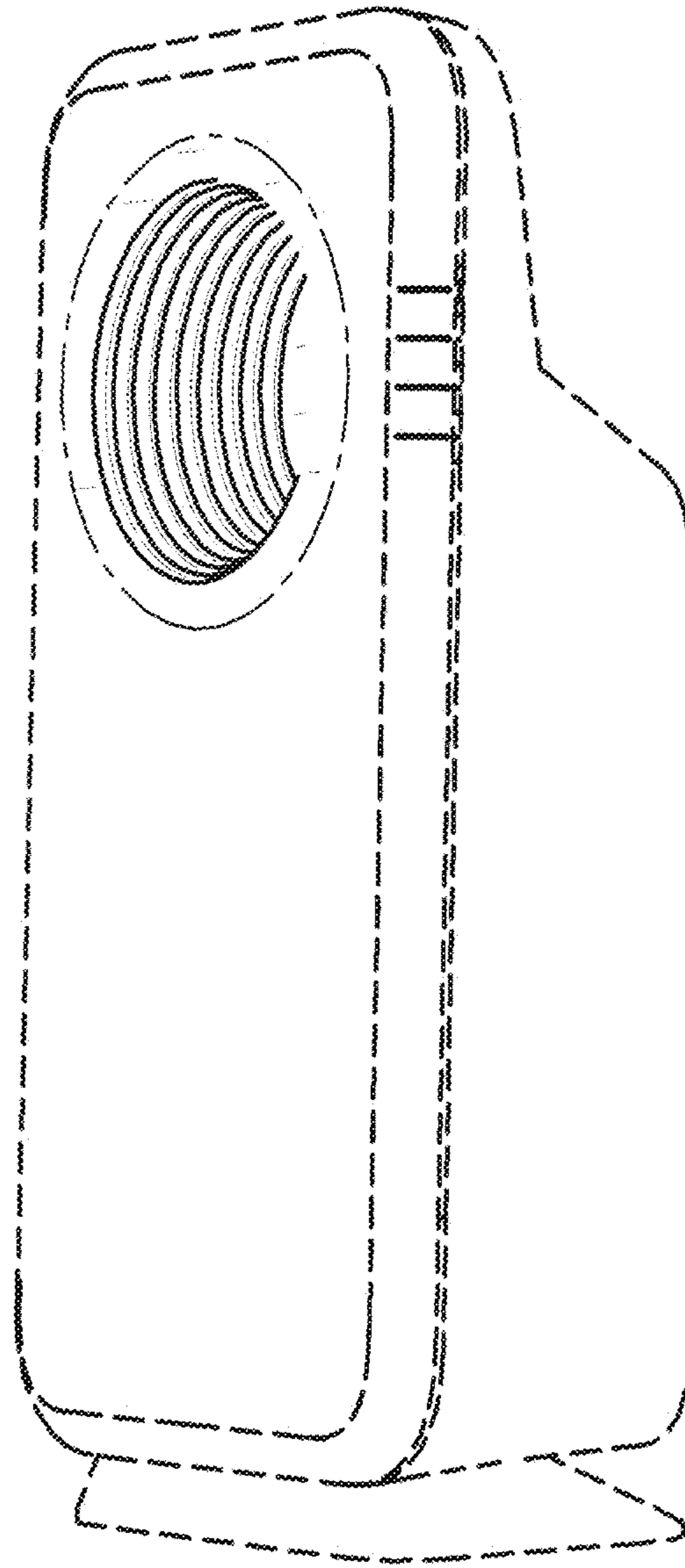


FIG. 24

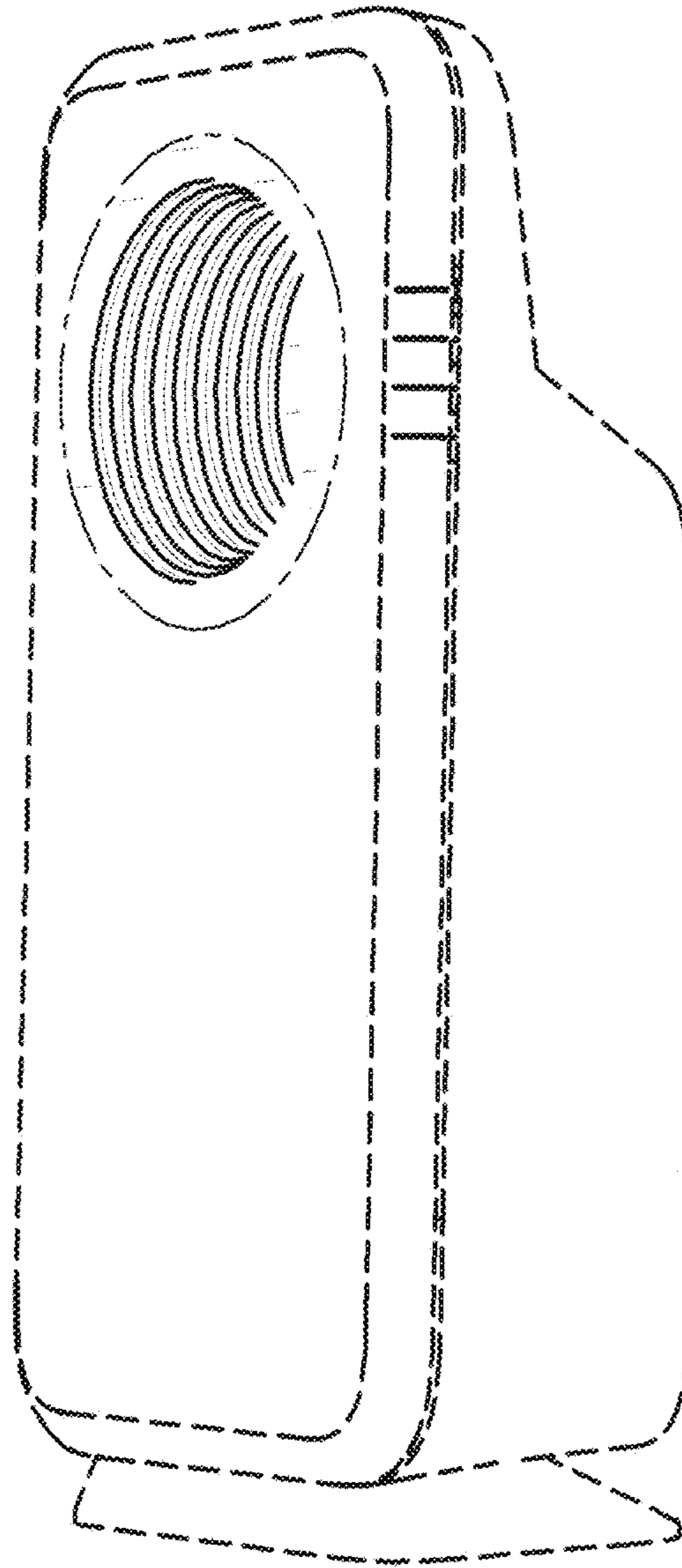


FIG. 25

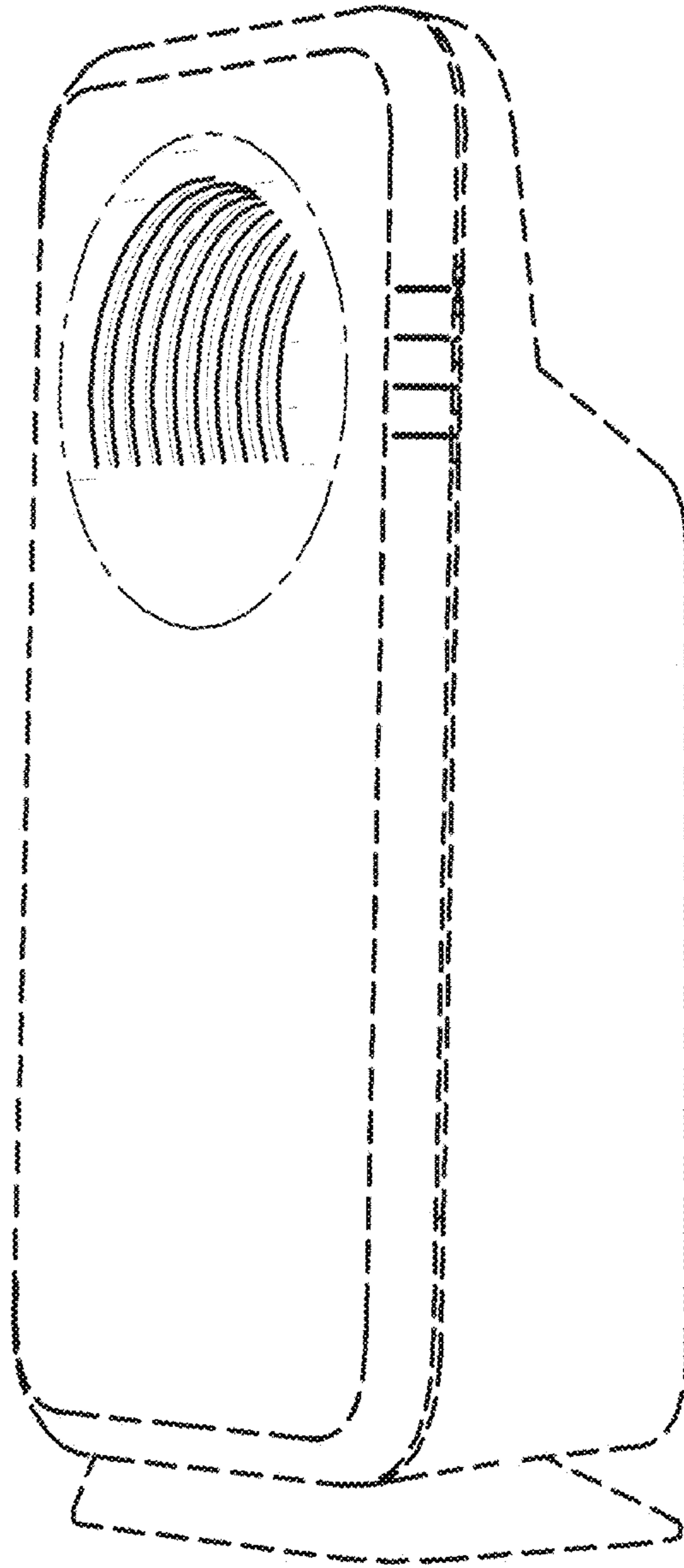


FIG. 26

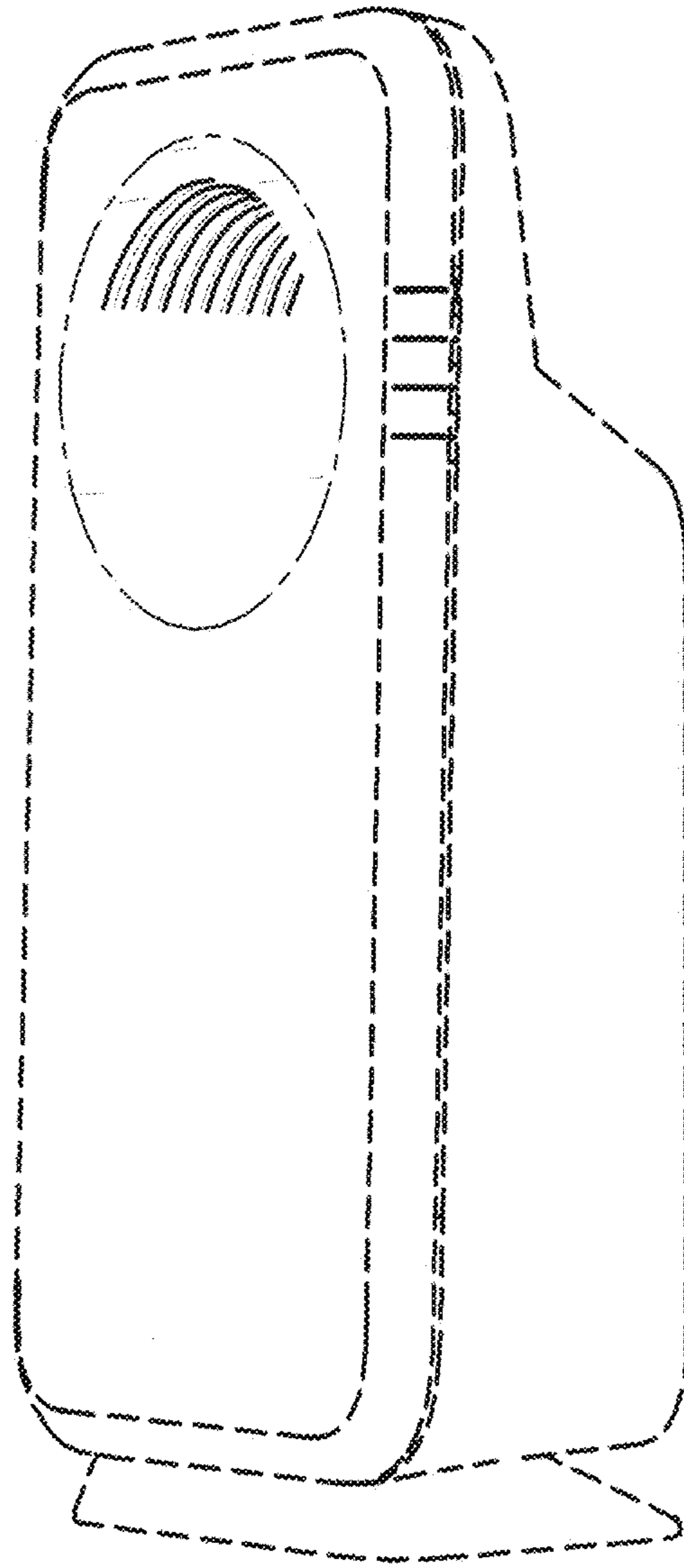


FIG. 27

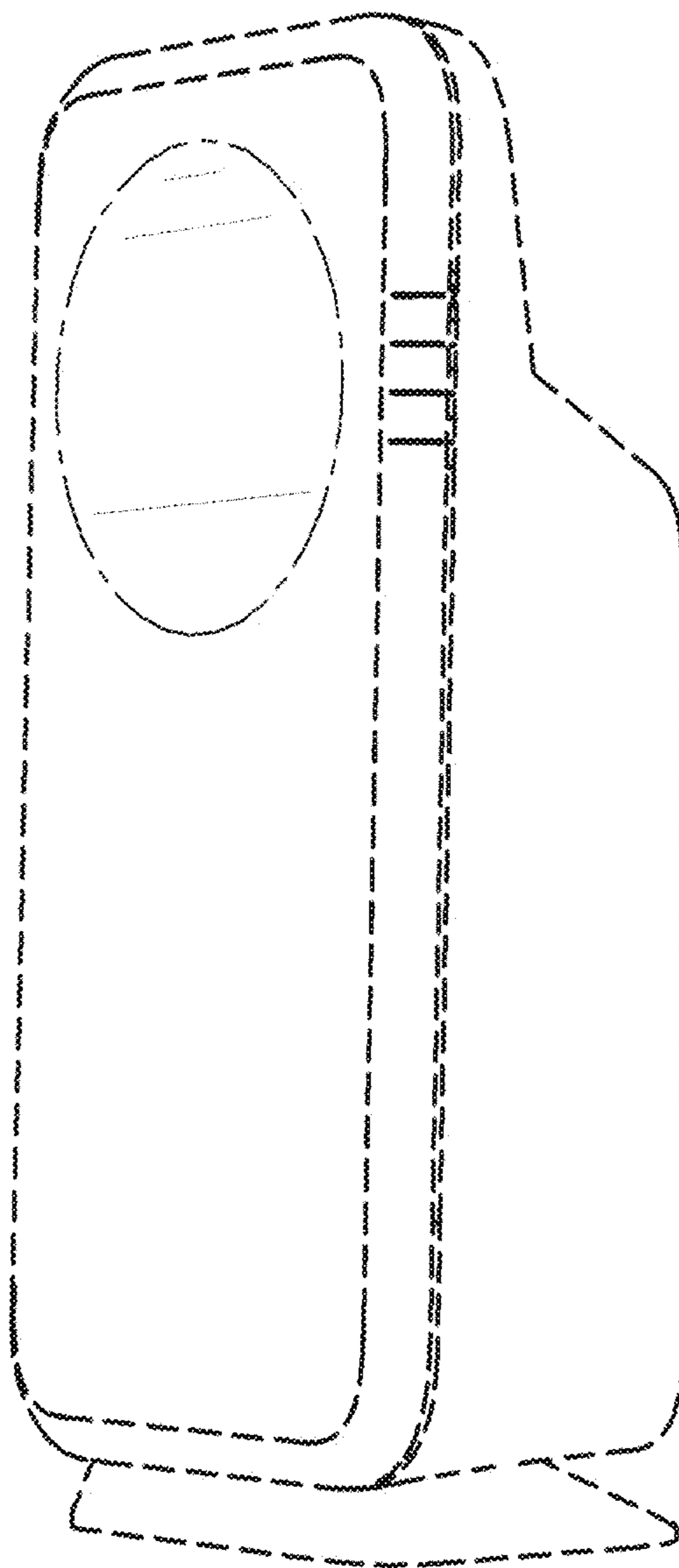


FIG. 28

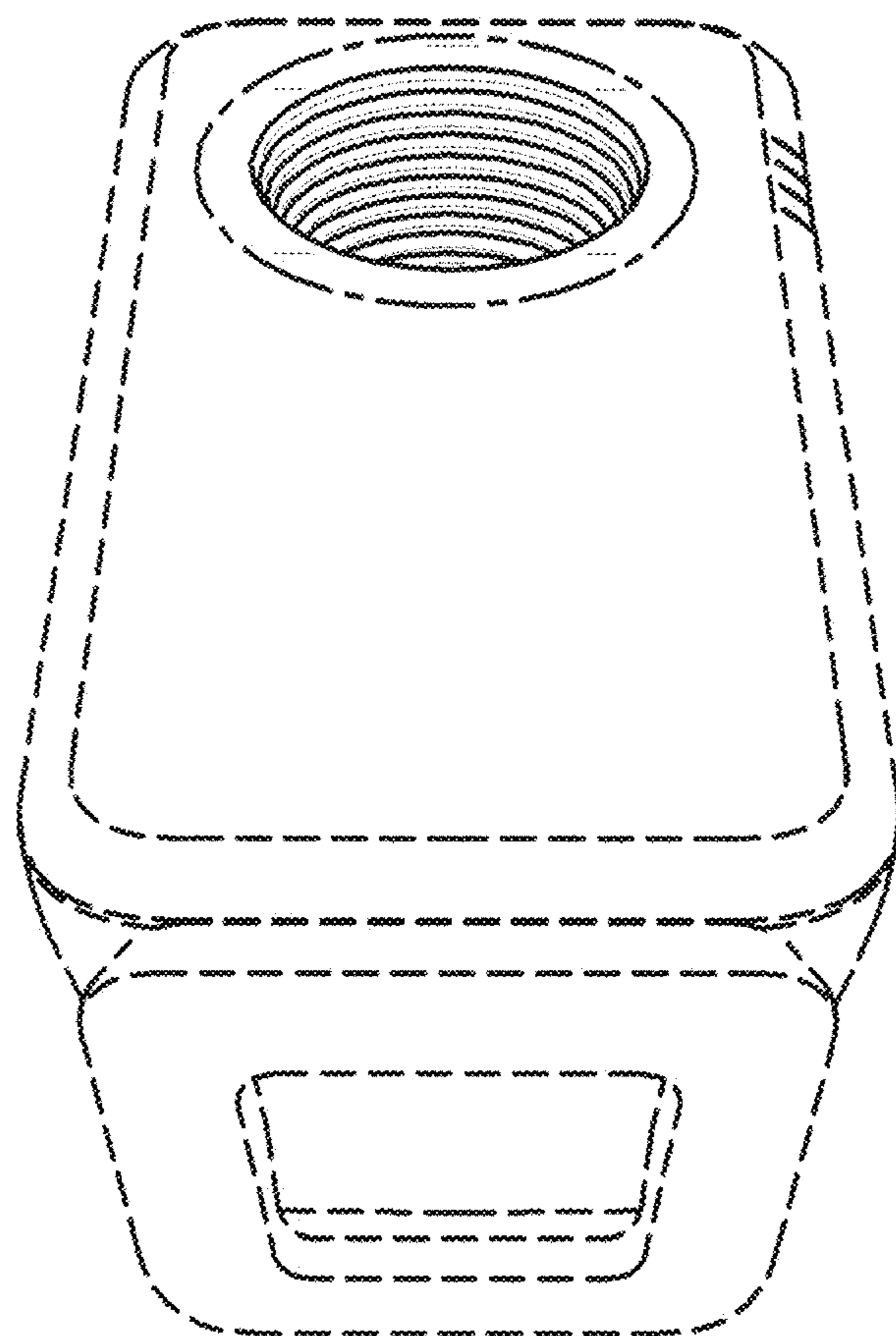


FIG. 29

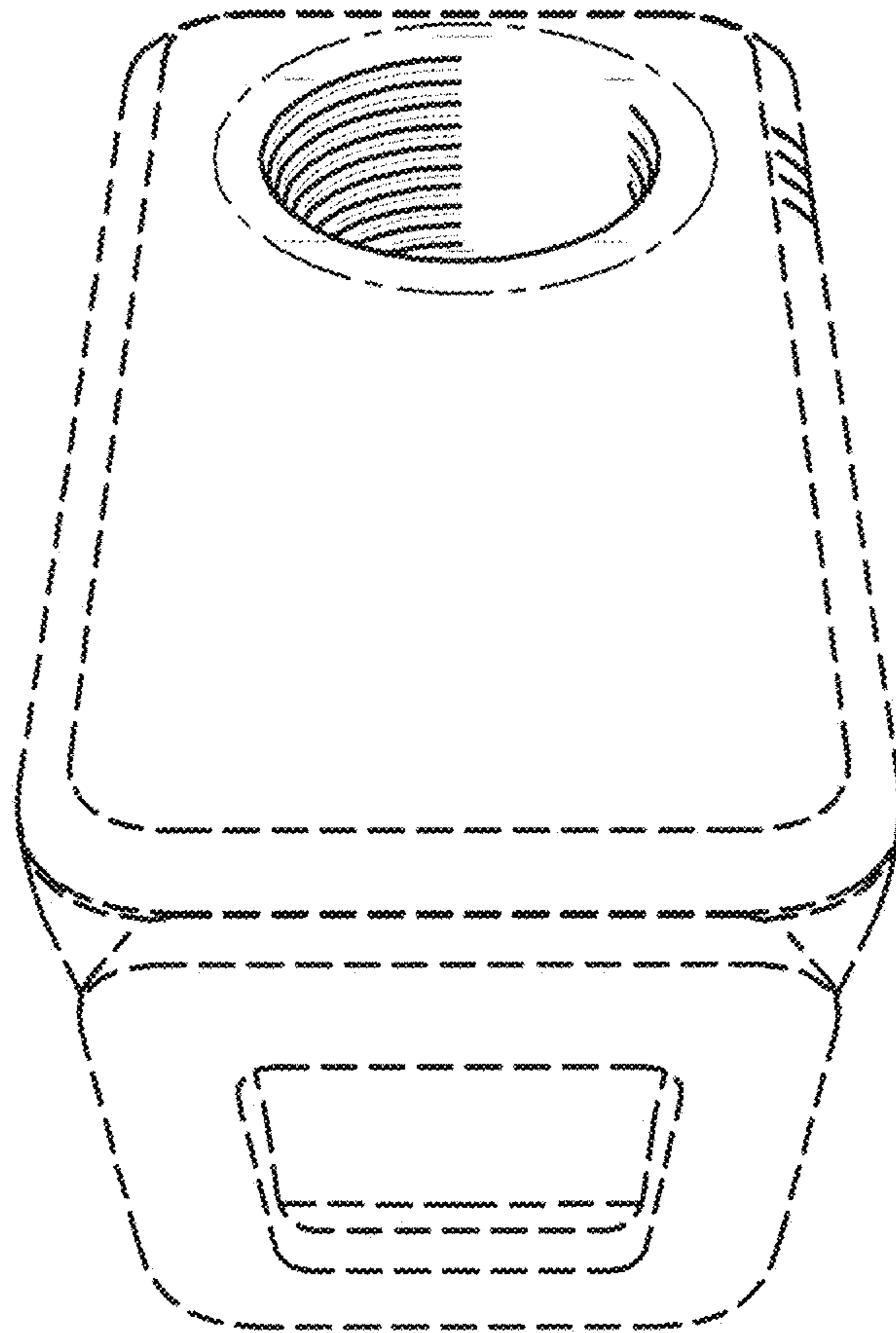


FIG. 30

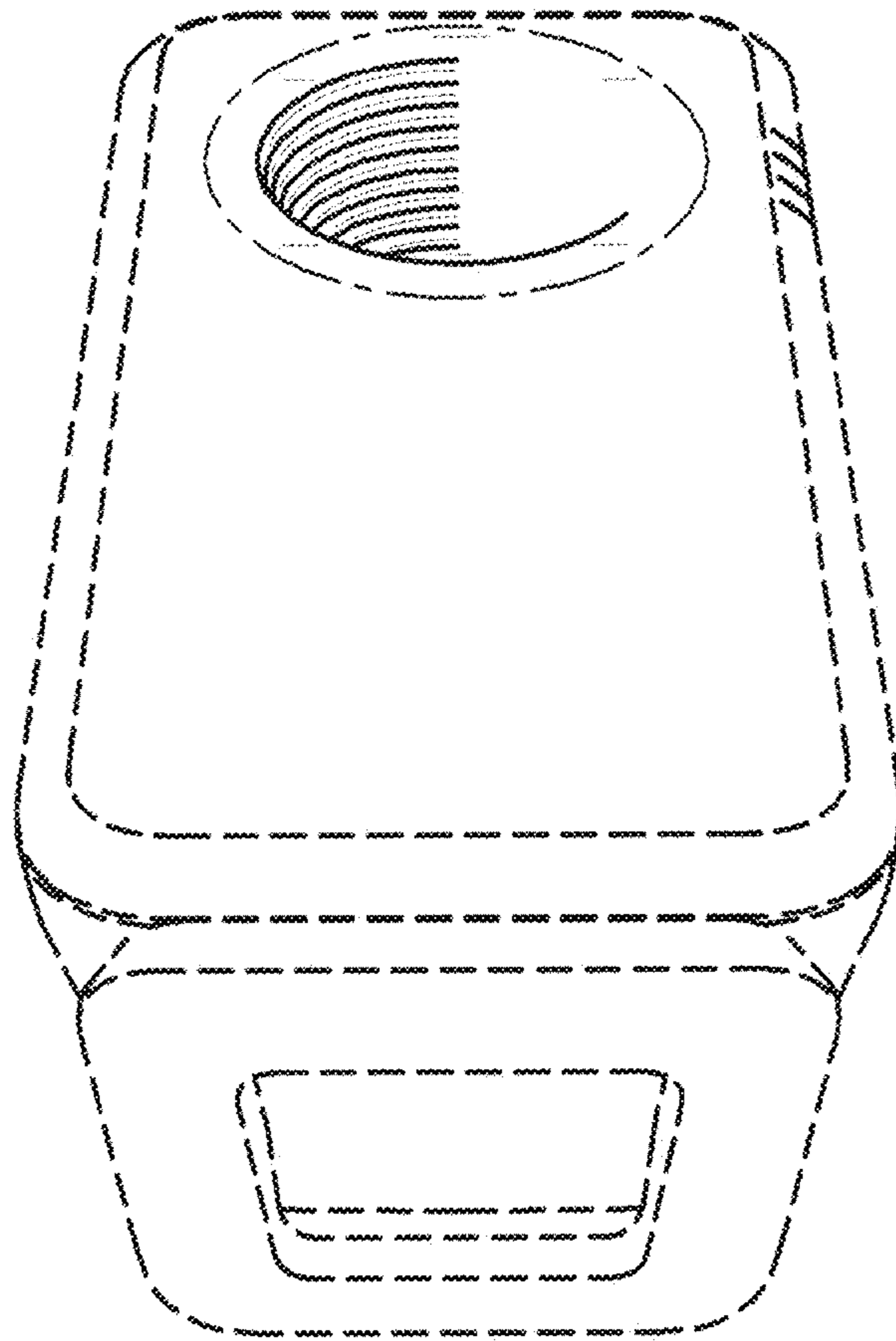


FIG. 31

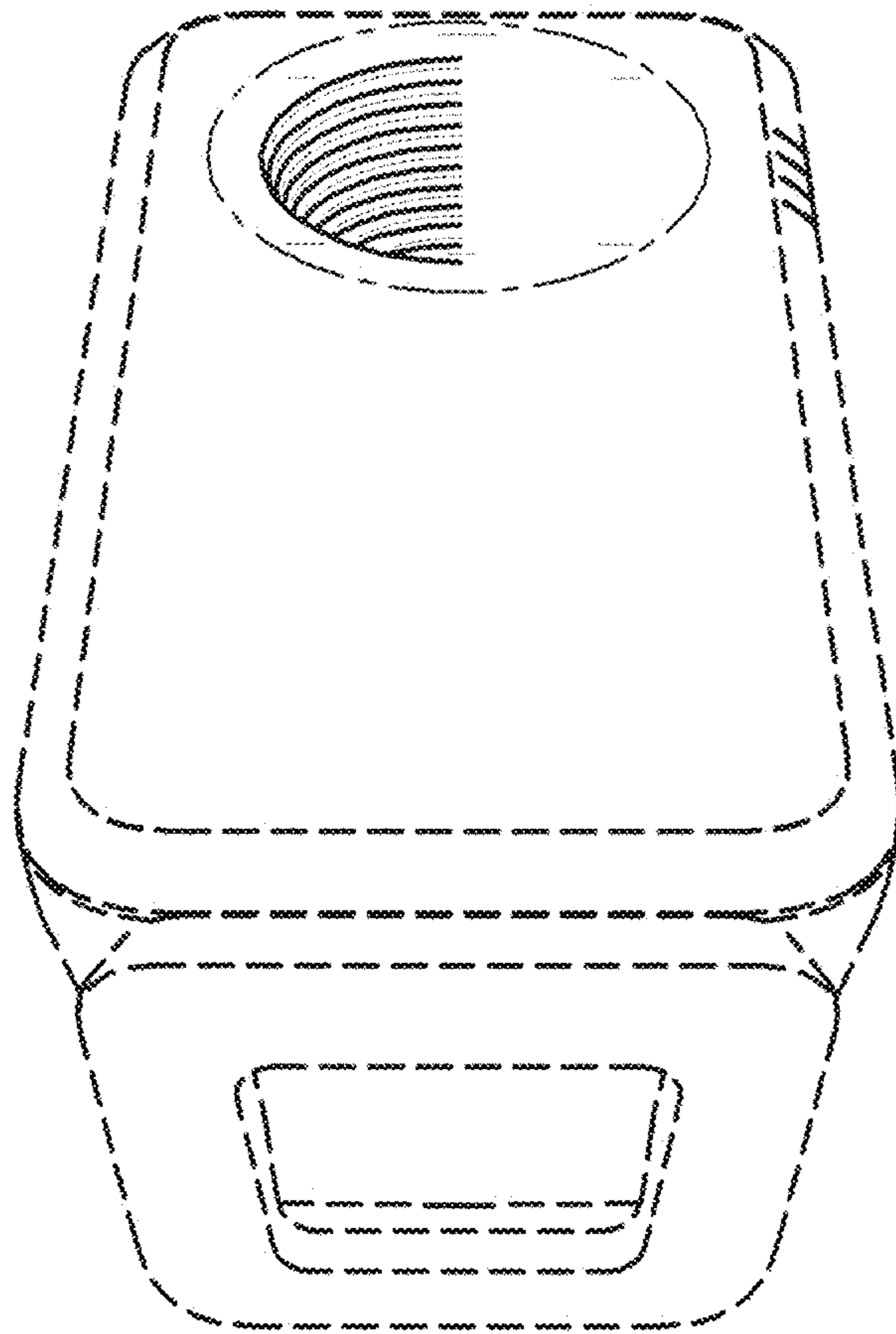


FIG. 32

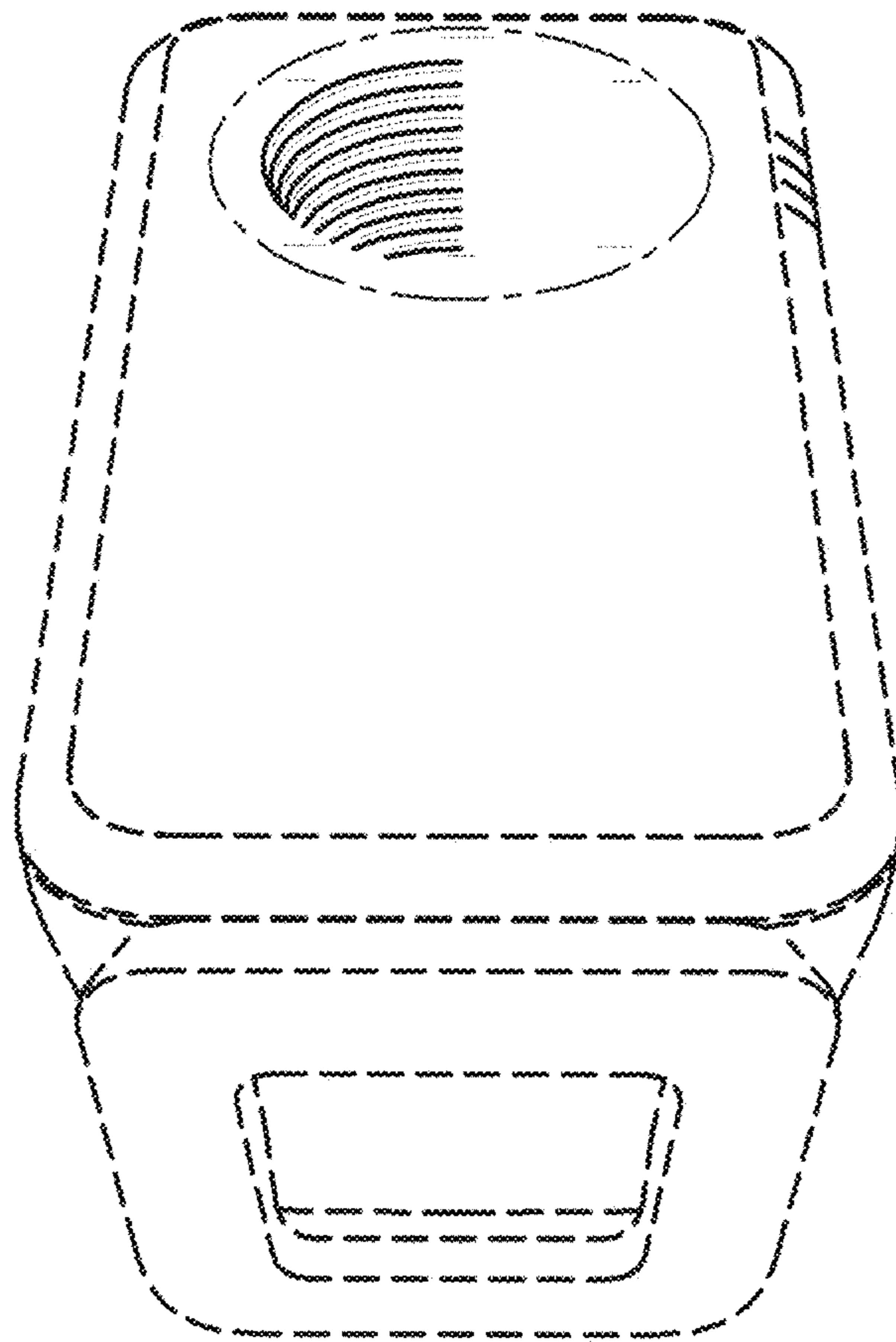


FIG. 33

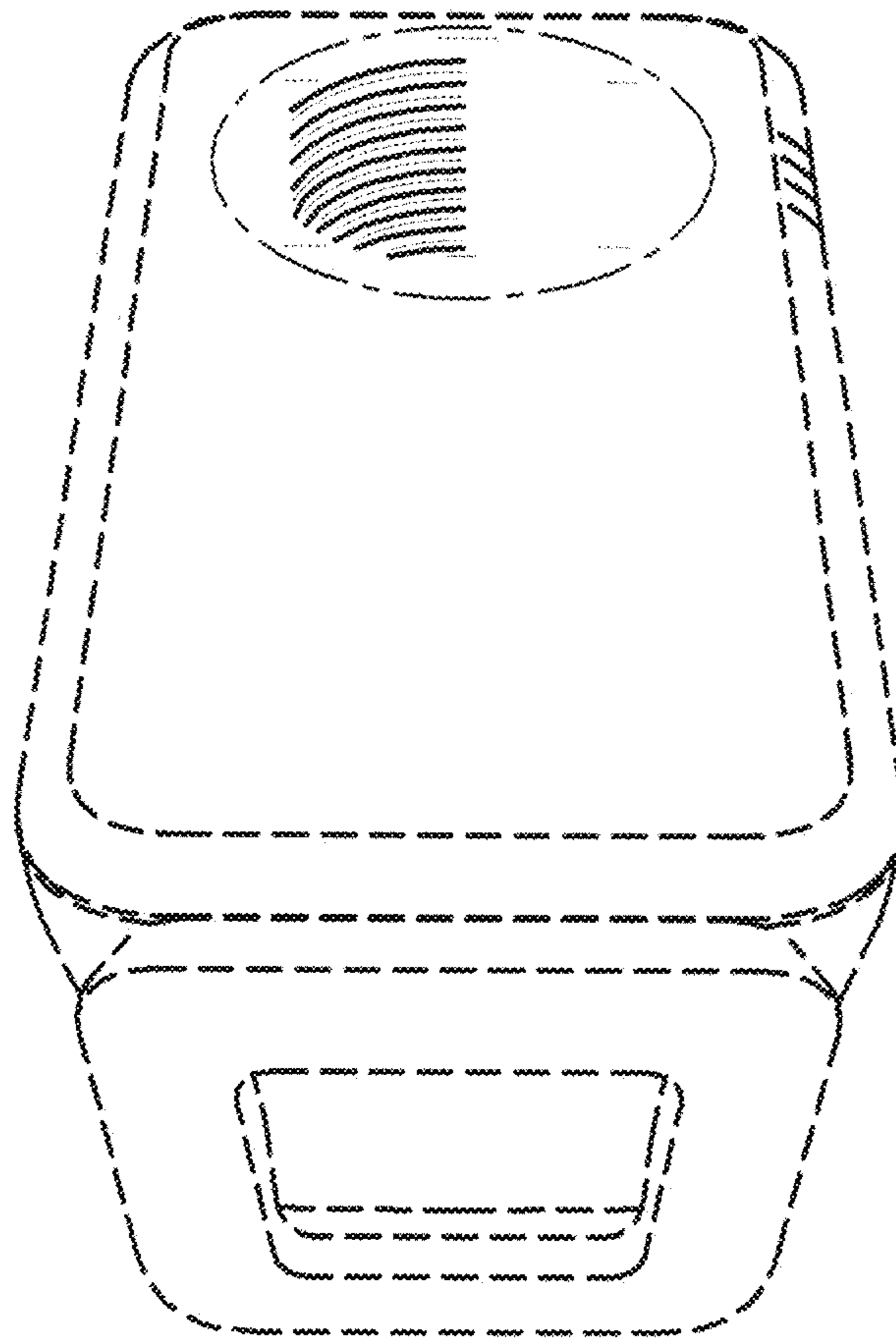


FIG. 34

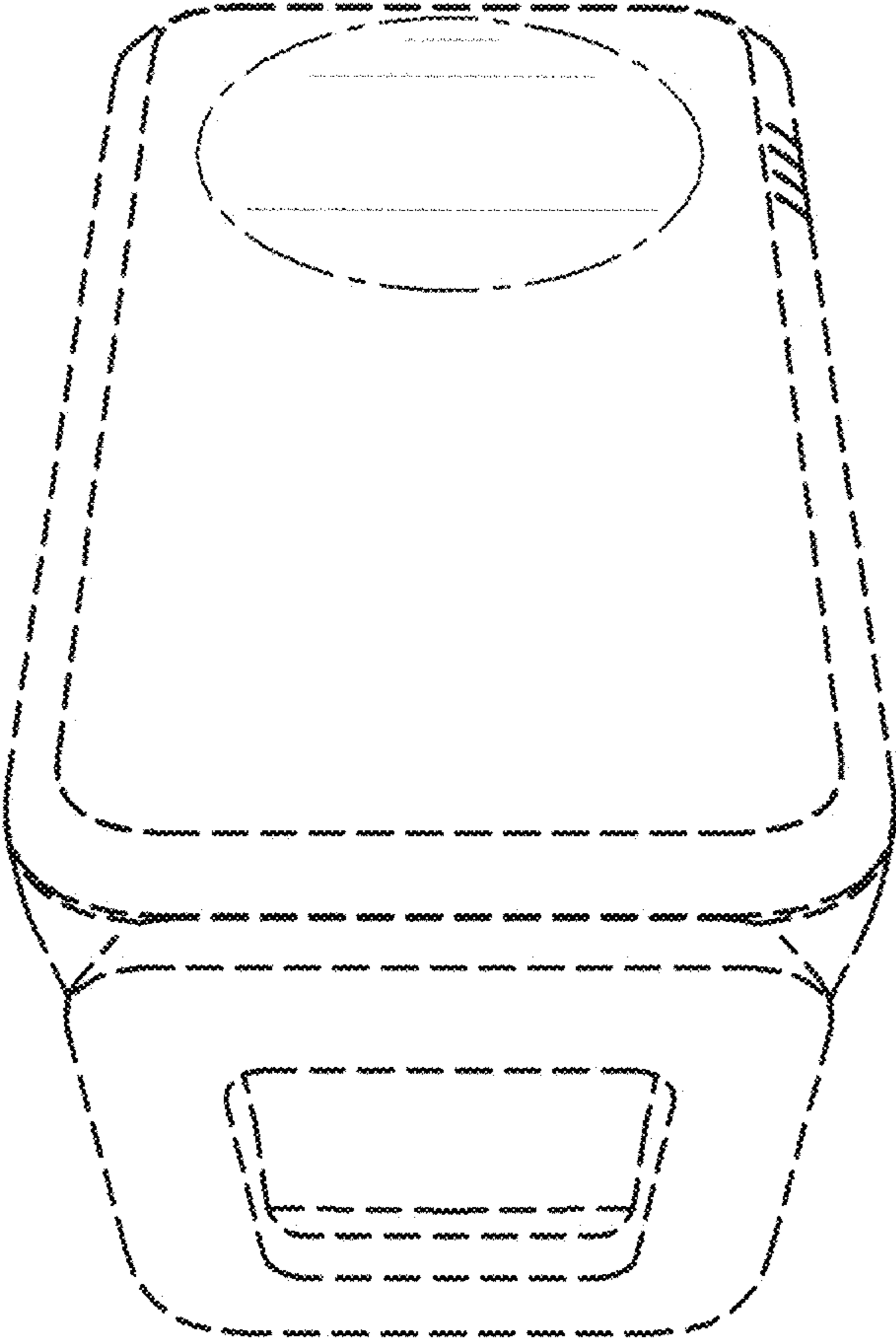


FIG. 35

UNITED STATES PATENT AND TRADEMARK OFFICE
CERTIFICATE OF CORRECTION

PATENT NO. : D752,195 S
APPLICATION NO. : 29/440054
DATED : March 22, 2016
INVENTOR(S) : Hun Jung Choi

Page 1 of 1

It is certified that error appears in the above-identified patent and that said Letters Patent is hereby corrected as shown below:

On the Title page of the patent item (30) is requested to be added as follows:

(30) Foreign Application Priority Data

June 19, 2012 KR.....30-2012-0029848

Signed and Sealed this
Fourteenth Day of June, 2016



Michelle K. Lee
Director of the United States Patent and Trademark Office