



US00D752192S

(12) **United States Design Patent**
Smith

(10) **Patent No.:** **US D752,192 S**
(45) **Date of Patent:** **** Mar. 22, 2016**

(54) **COVER FOR A TOILET SEAT OR OTHER
SIMILAR ARTICLE**

(71) Applicant: **Jason Dwayne Smith**, Snohomish, WA
(US)

(72) Inventor: **Jason Dwayne Smith**, Snohomish, WA
(US)

(**) Term: **14 Years**

(21) Appl. No.: **29/522,905**

(22) Filed: **Apr. 3, 2015**

(51) **LOC (10) Cl.** **23-02**

(52) **U.S. Cl.**
USPC **D23/311**

(58) **Field of Classification Search**
USPC D23/310, 311, 296, 299, 303, 309, 295;
D6/611
CPC A47K 13/00; A47K 13/06; A47K 13/005;
A47K 13/24; A47K 13/28

See application file for complete search history.

(56) **References Cited**

U.S. PATENT DOCUMENTS

D296,710 S * 7/1988 Reid D23/311
D622,369 S * 8/2010 Takahashi D23/311
8,296,870 B2 * 10/2012 Kannengiesser A47K 13/00
4/234
8,567,993 B2 * 10/2013 Ten Wolde F21S 9/022
362/217.1

* cited by examiner

Primary Examiner — Robert Delehanty

(74) *Attorney, Agent, or Firm* — Janeway Patent Law PLLC;
John M. Janeway

(57) **CLAIM**

The ornamental design for a cover for a toilet seat or similar article, as shown and described.

DESCRIPTION

FIG. 1 is a perspective view of a cover for a toilet seat according to the invention.

FIG. 2 is a front, elevation view of the cover.

FIG. 3 is a rear, elevation view of the cover.

FIG. 4 is a right side, elevation view of the cover.

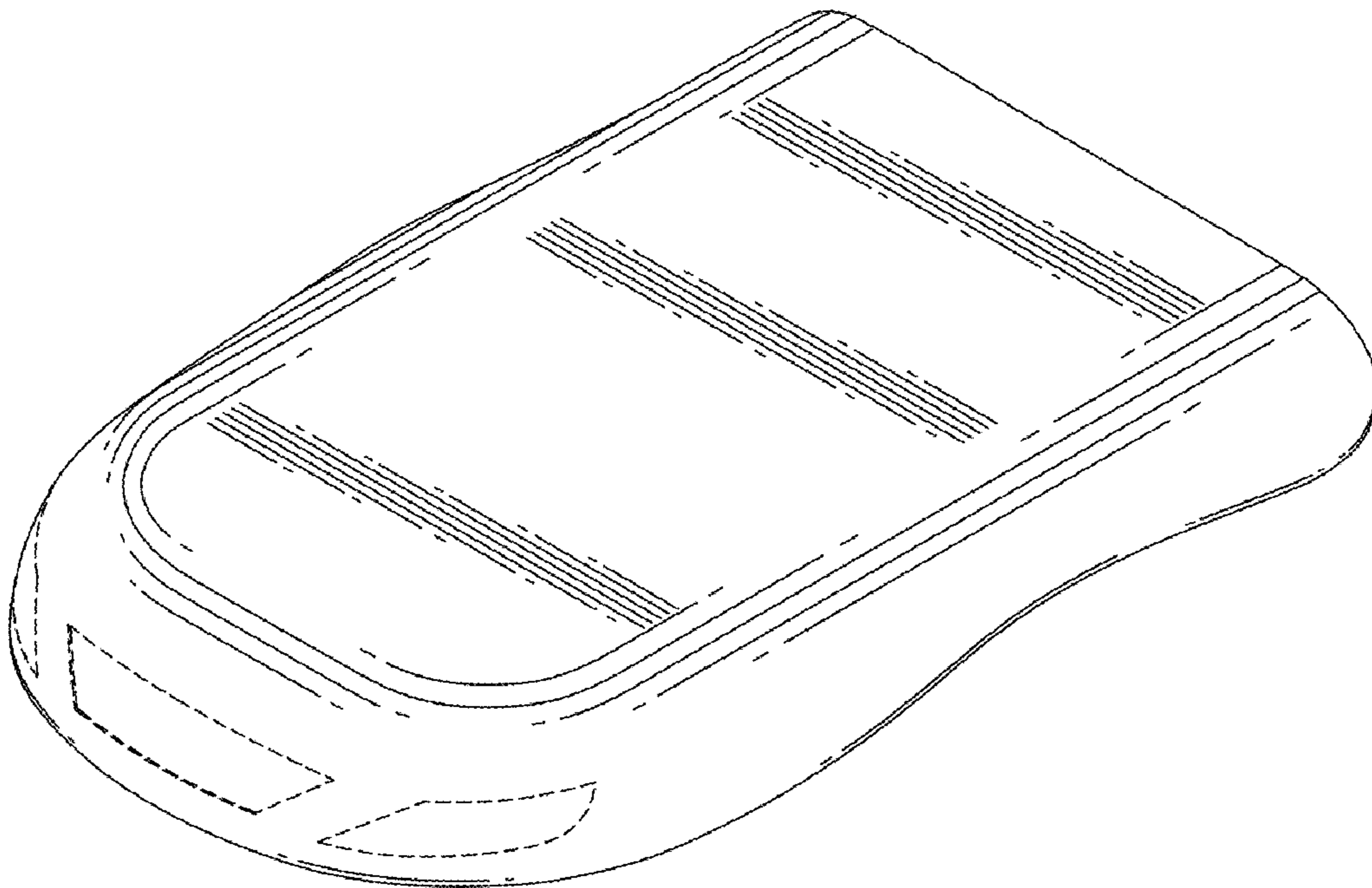
FIG. 5 is a left side, elevation view of the cover.

FIG. 6 is a top, plan view of the cover; and,

FIG. 7 is a bottom, plan view of the cover.

The broken lines in FIGS. 1, 2, 4, 5 and 6 showing other structure of the cover are illustrative of environmental structure only and do not form a part of the claimed design.

1 Claim, 2 Drawing Sheets



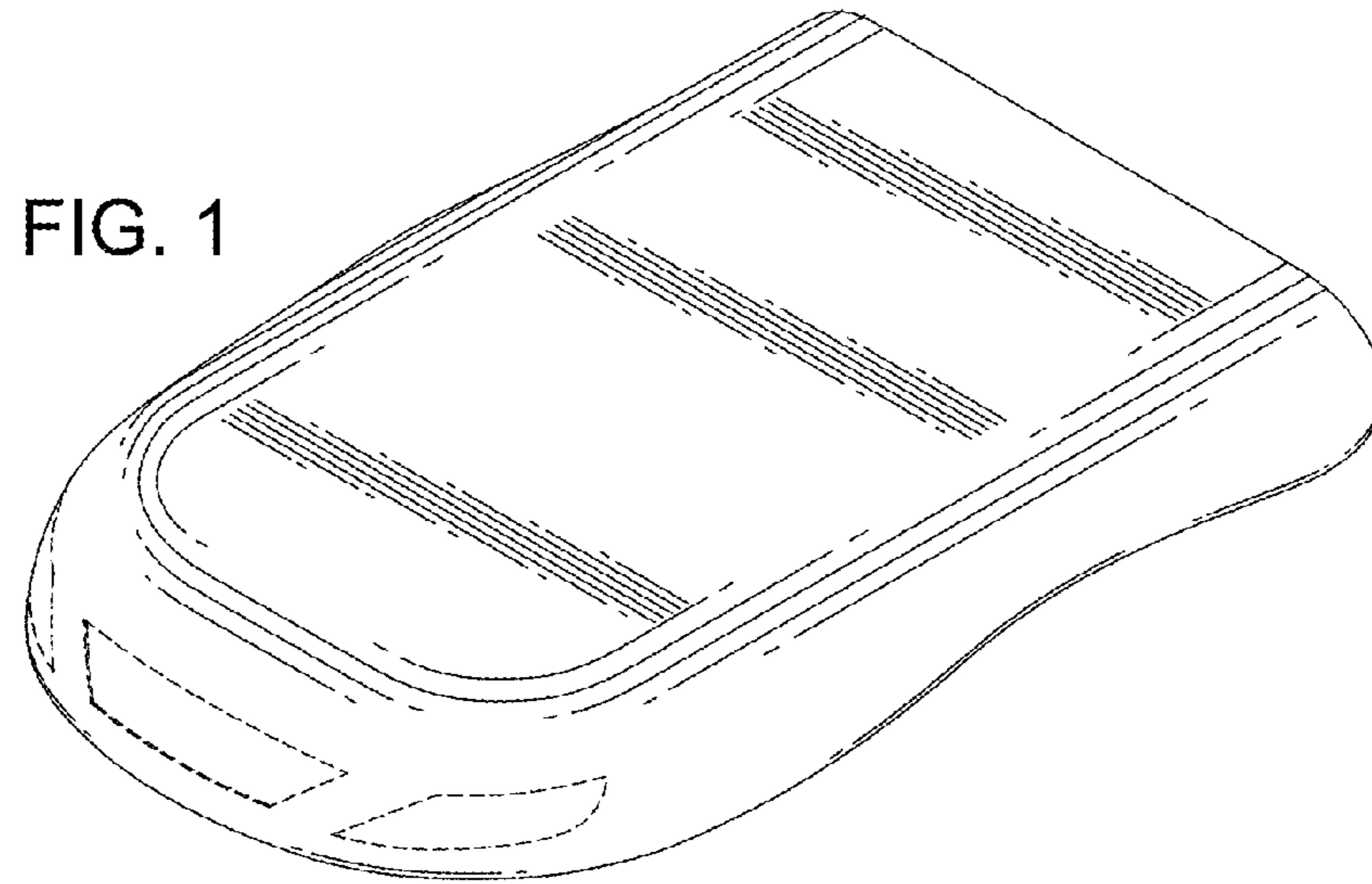


FIG. 2

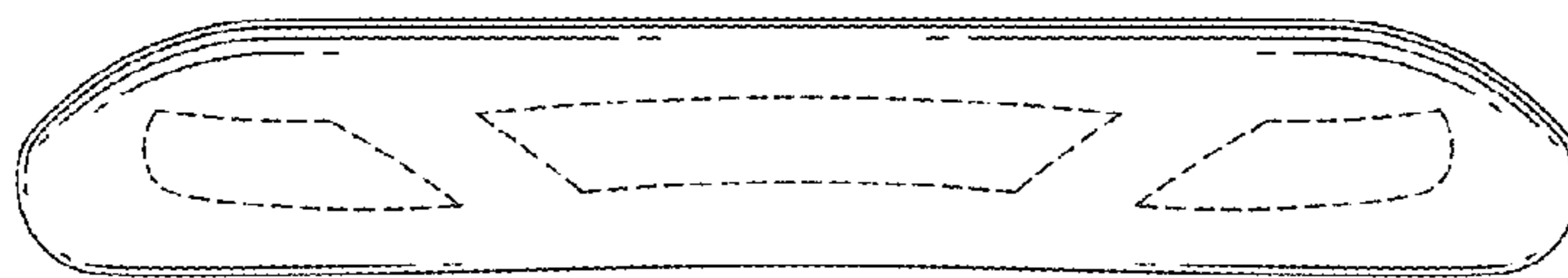


FIG. 3

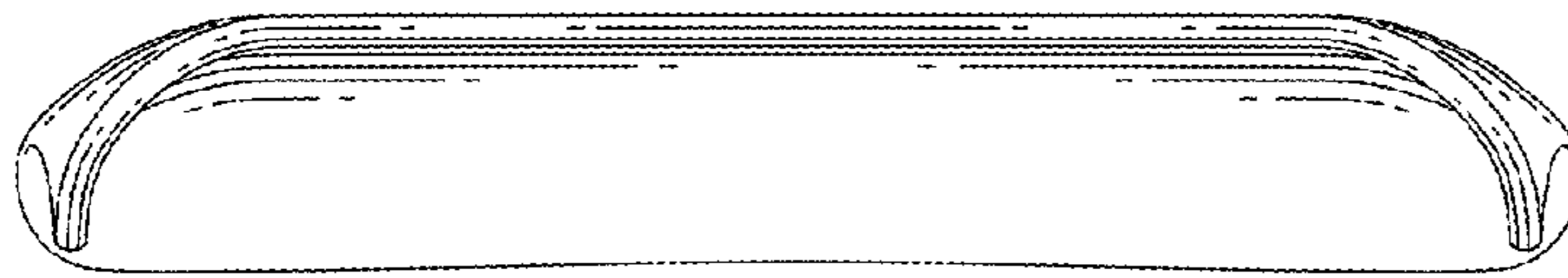


FIG. 4

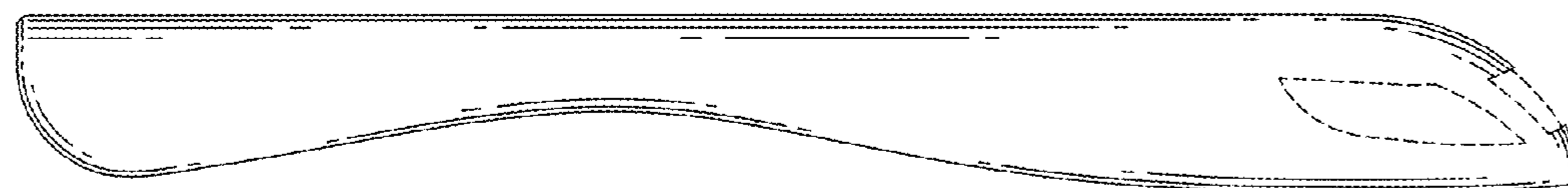


FIG. 5

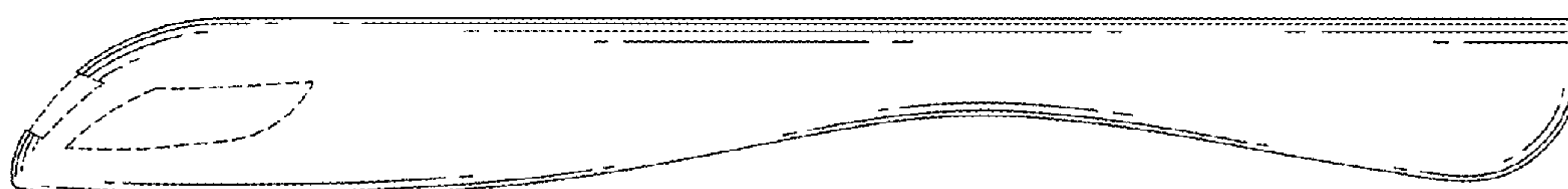


FIG. 6

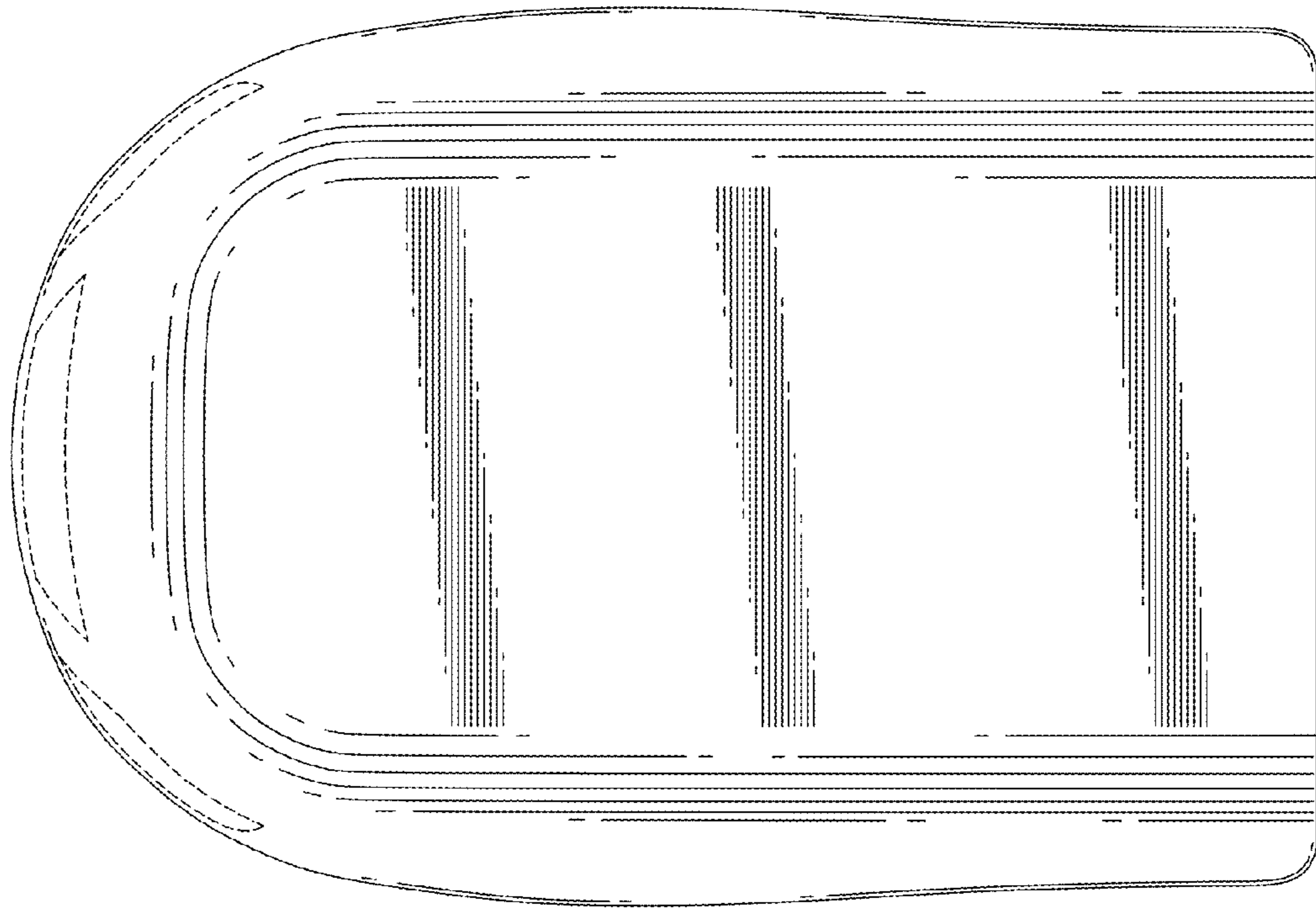


FIG. 7

