



US00D752191S

(12) **United States Design Patent**  
**Eads**

(10) **Patent No.:** **US D752,191 S**  
(45) **Date of Patent:** **\*\* Mar. 22, 2016**

(54) **TOILET BASE**

(71) Applicant: **Delta Faucet Company**, Indianapolis,  
IN (US)

(72) Inventor: **Thad Eads**, North Manchester, IN (US)

(73) Assignee: **DELTA FAUCET COMPANY**,  
Indianapolis, IN (US)

(\*\*) Term: **14 Years**

(21) Appl. No.: **29/512,341**

(22) Filed: **Dec. 18, 2014**

(51) **LOC (10) Cl.** ..... **23-02**

(52) **U.S. Cl.**  
USPC ..... **D23/295**

(58) **Field of Classification Search**  
USPC ..... D23/295, 301, 303, 309  
CPC ..... E03D 1/00; E03D 1/01; E03D 11/02  
See application file for complete search history.

(56) **References Cited**

U.S. PATENT DOCUMENTS

D424,181 S *	5/2000	Caplow .....	D23/301
D542,390 S *	5/2007	Bates .....	D23/295
D578,620 S *	10/2008	Zou .....	D23/301
D702,820 S *	4/2014	Spangler .....	D23/301

\* cited by examiner

*Primary Examiner* — Robert Delehanty

(74) *Attorney, Agent, or Firm* — Edgar A. Zarins; Nirav D. Parikh

(57) **CLAIM**

The ornamental design for a toilet base, as shown and described.

**DESCRIPTION**

FIG. 1 is a perspective view of a toilet base showing my new design;  
FIG. 2 is a top plan view thereof;  
FIG. 3 is a bottom view thereof;  
FIG. 4 is a front elevational view thereof;  
FIG. 5 is a left side view thereof, the opposite side being a mirror image of the side shown; and,  
FIG. 6 is a rear view thereof.

**1 Claim, 2 Drawing Sheets**

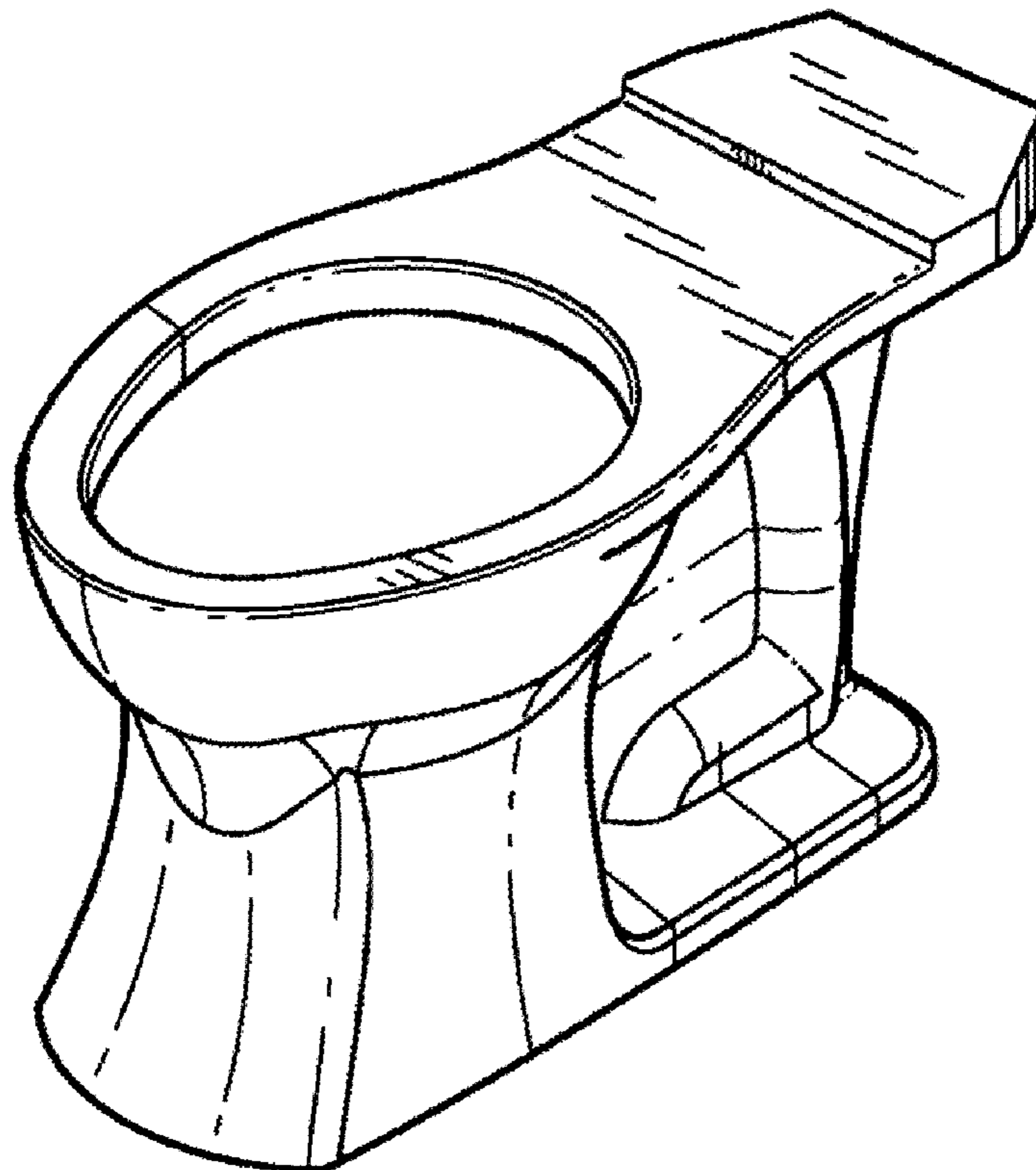


Fig-1

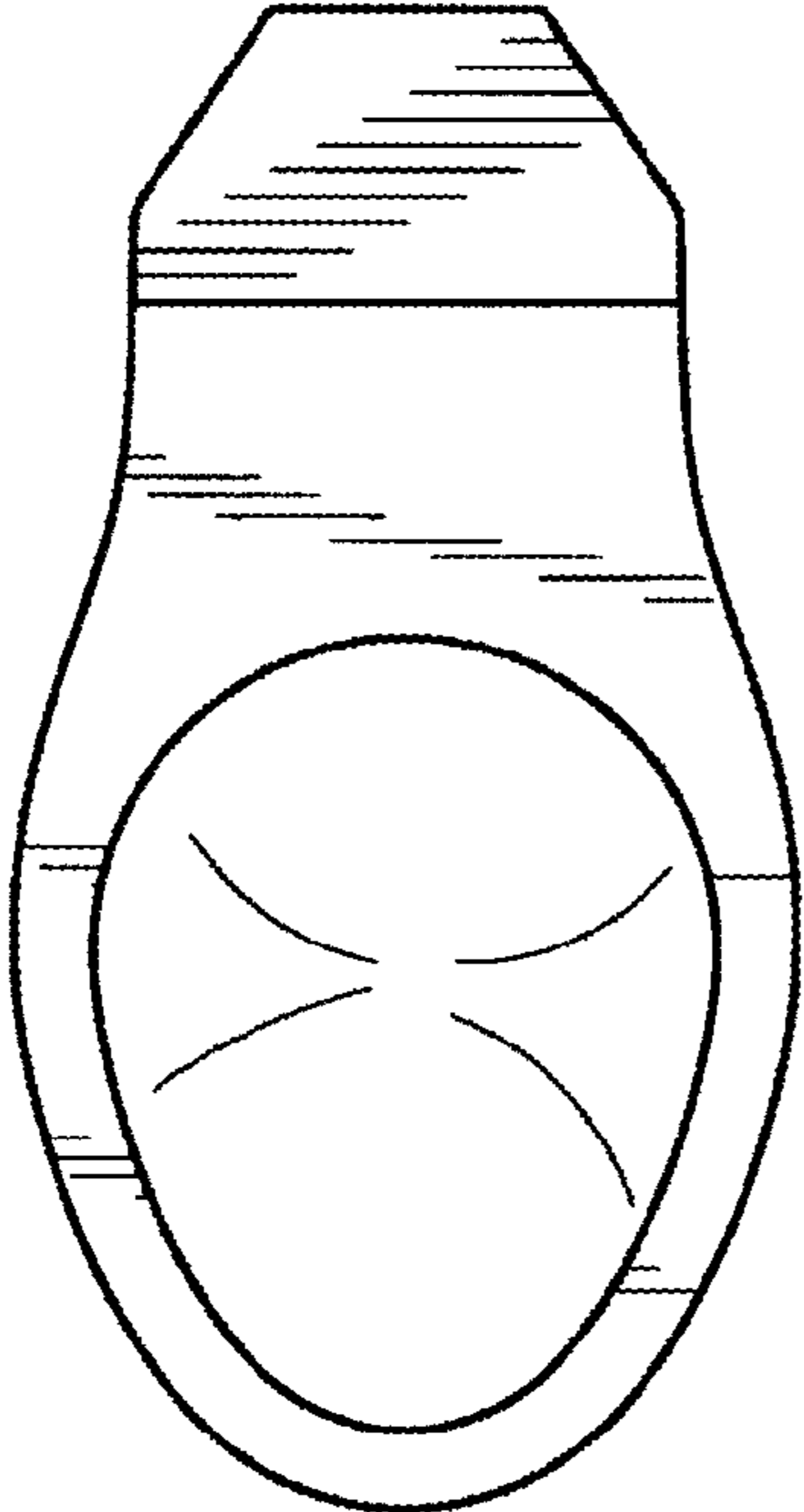
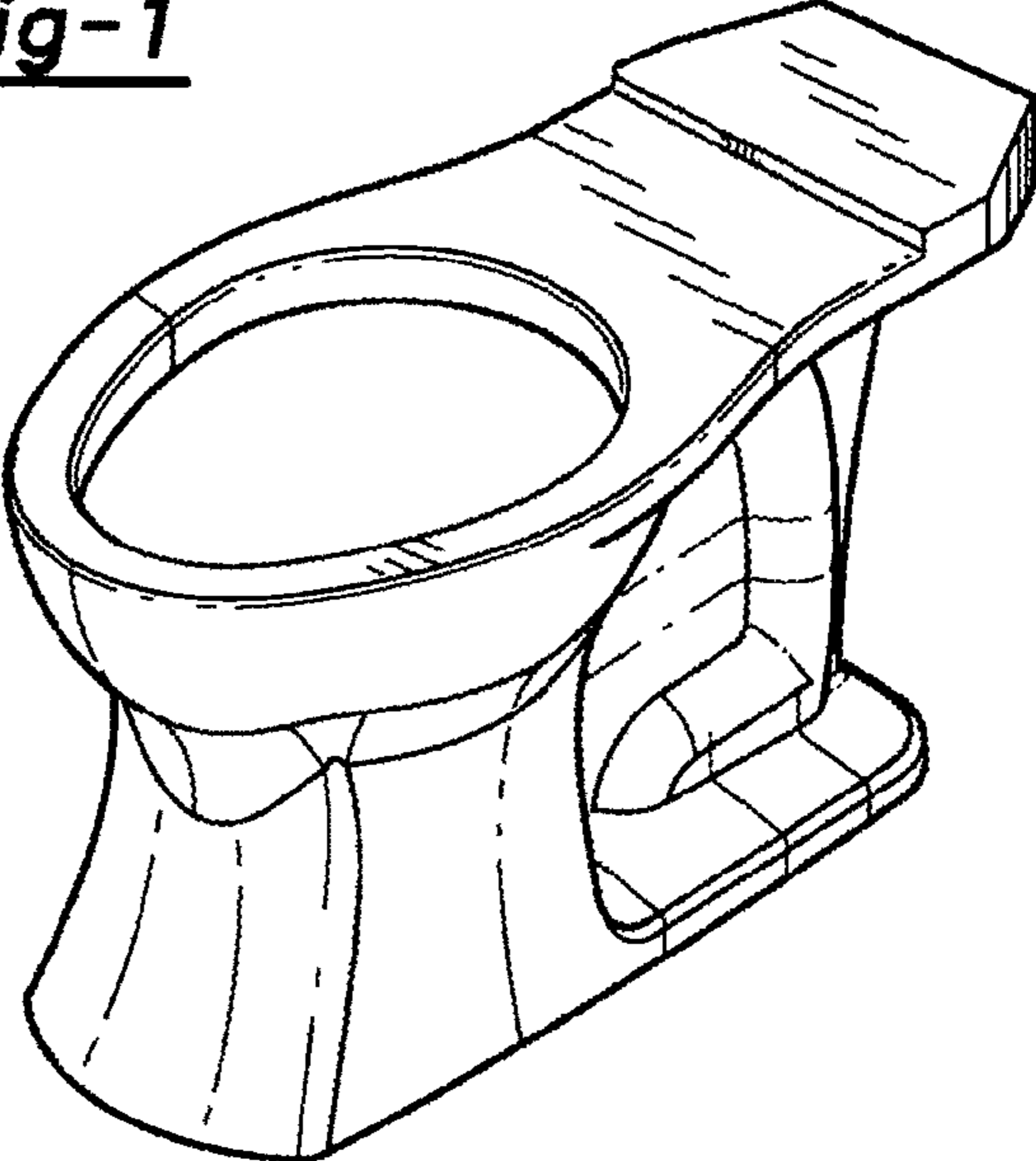


Fig-2

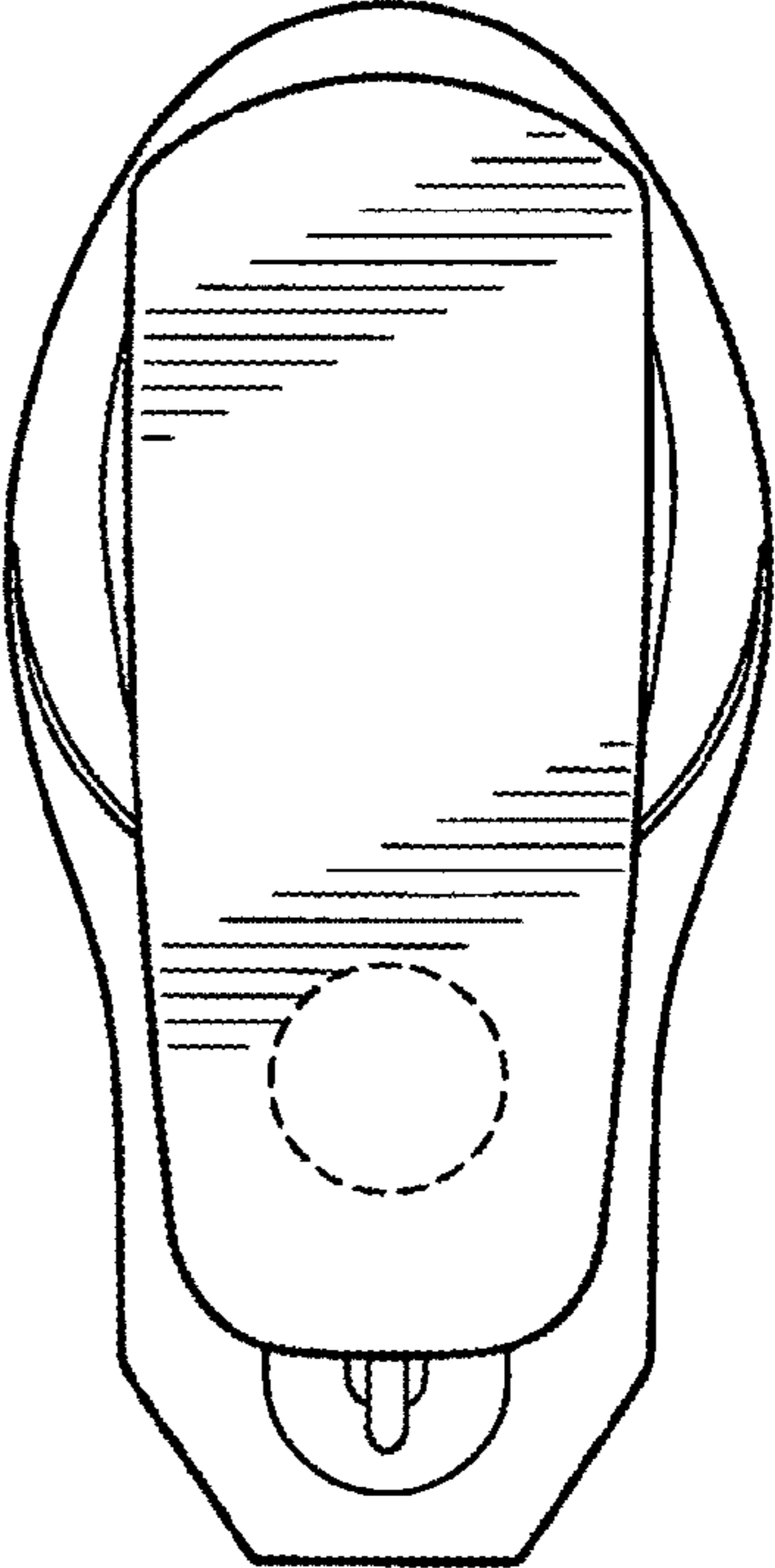


Fig-3

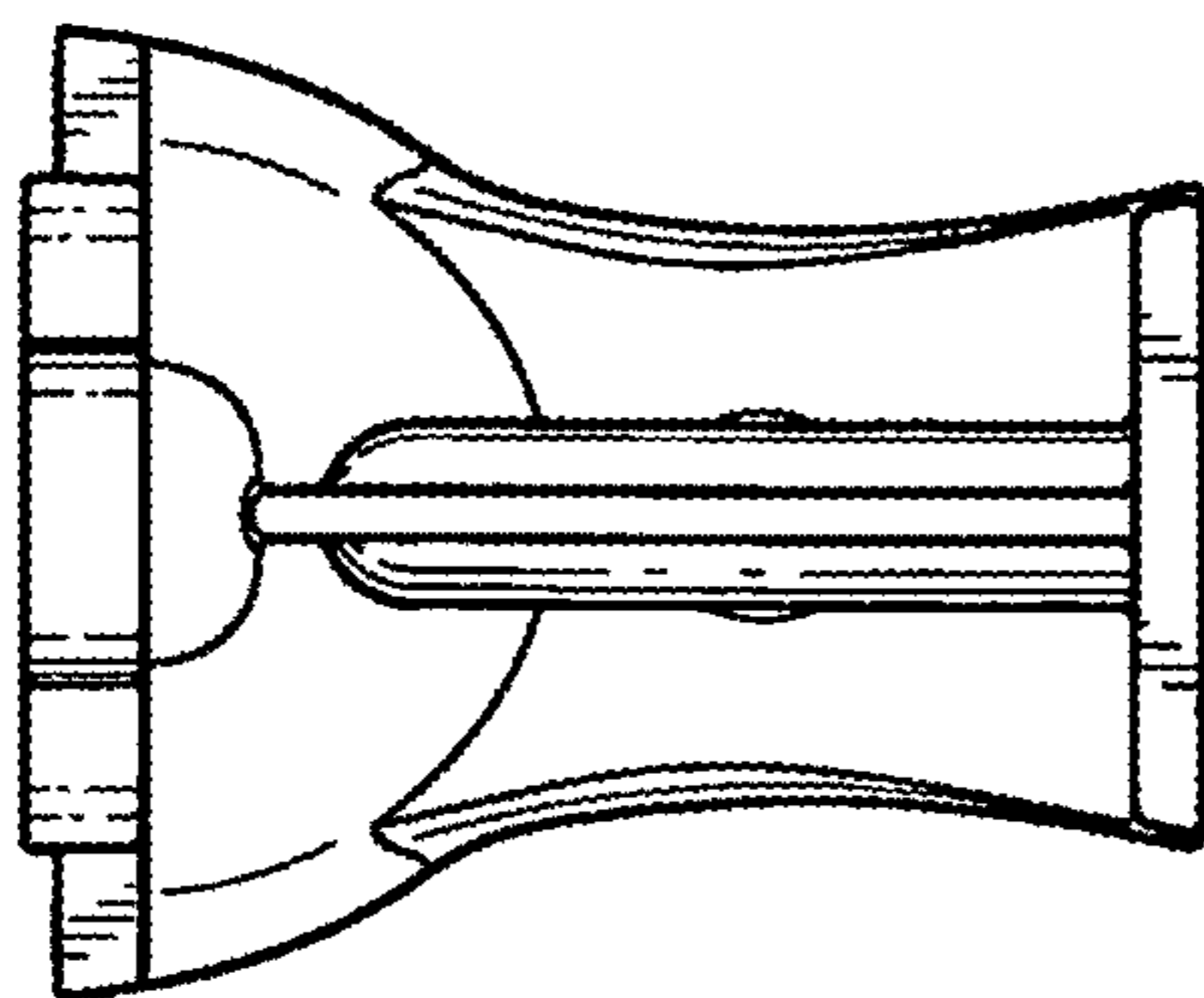


Fig-6

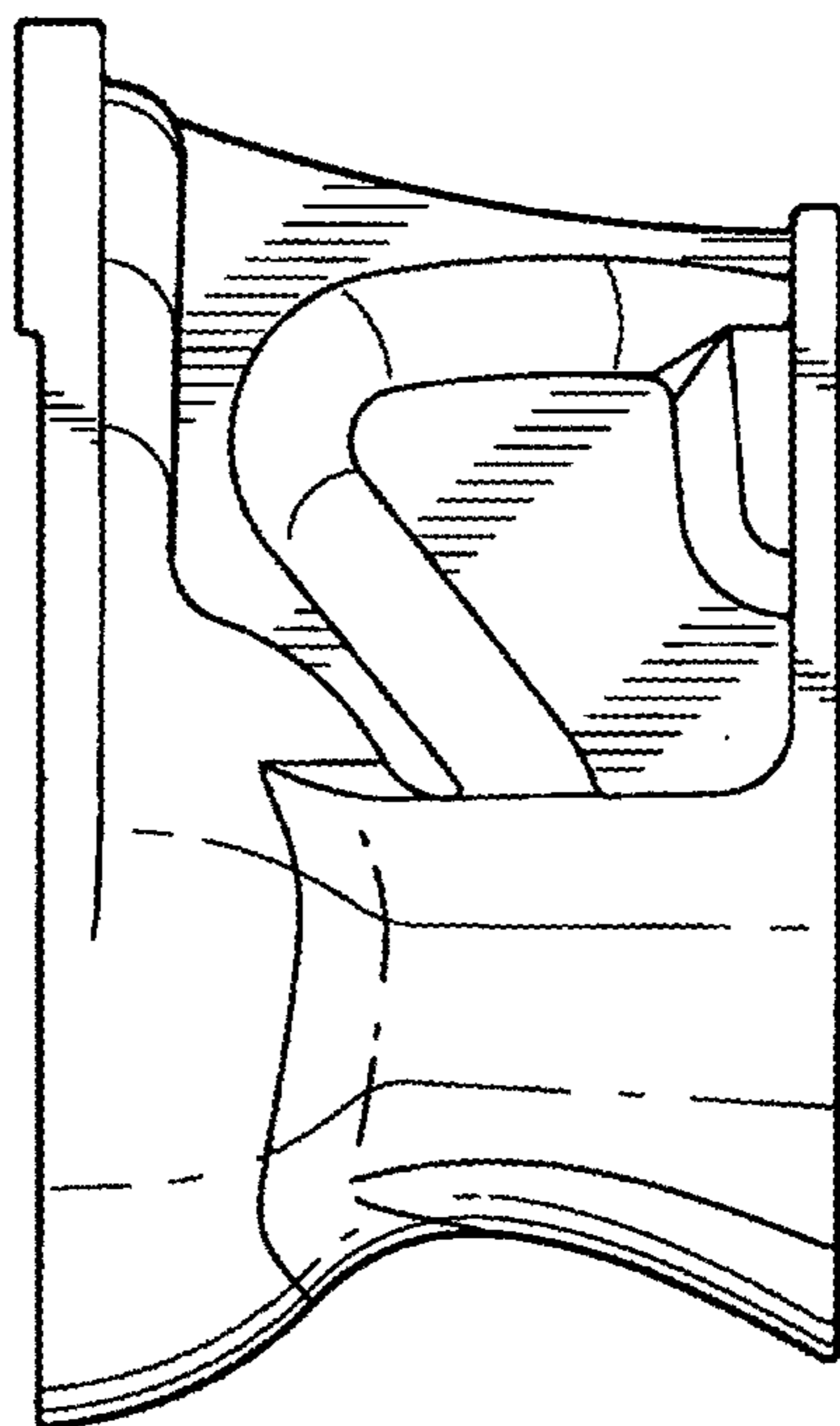


Fig-5

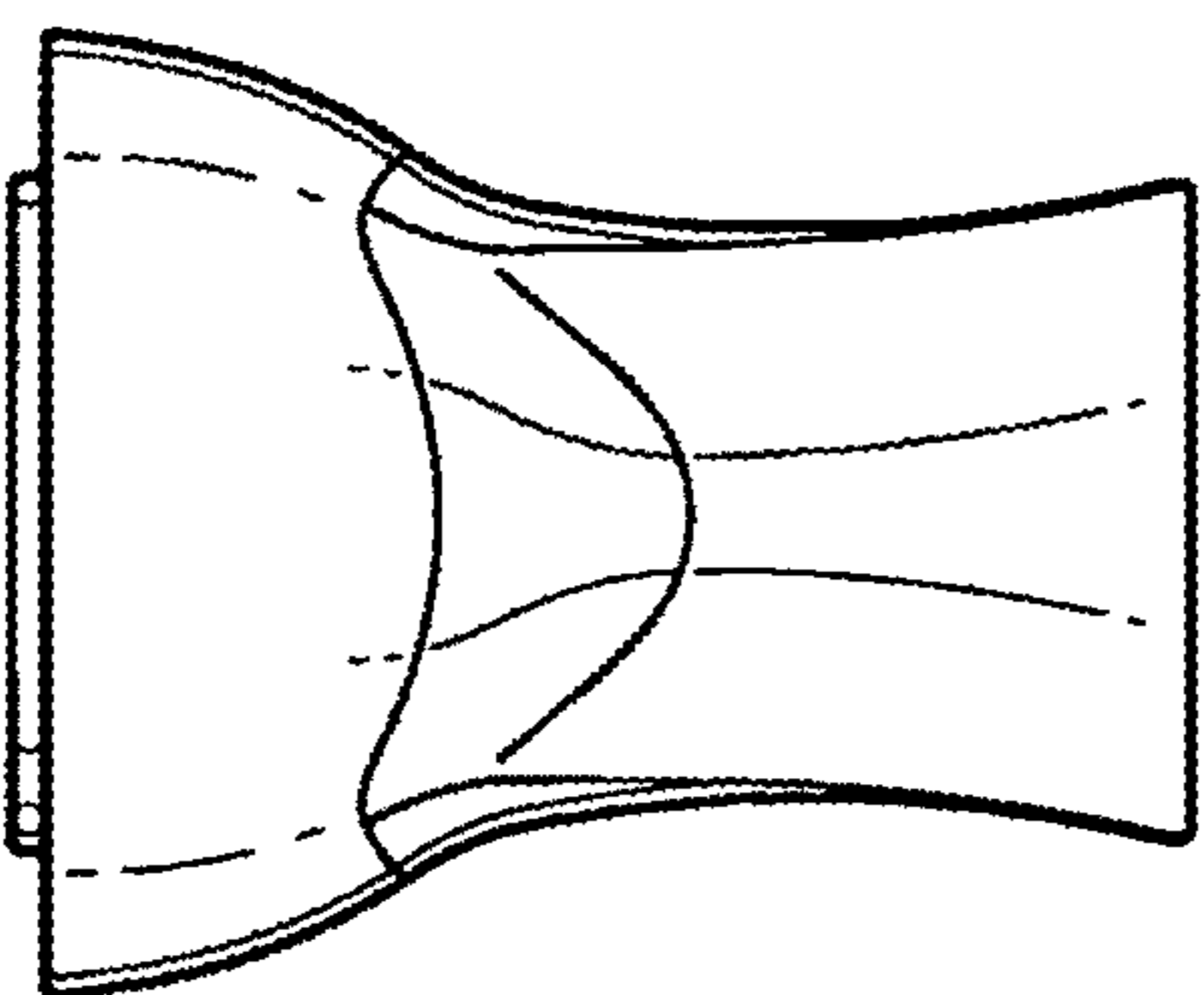


Fig-4