



US00D752190S

(12) **United States Design Patent**
DeNooy

(10) **Patent No.:** **US D752,190 S**
(45) **Date of Patent:** **** Mar. 22, 2016**

(54) **GUTTER DOWNSPOUT ADAPTER**

(71) Applicant: **Dennis DeNooy**, Barnes City, IA (US)

(72) Inventor: **Dennis DeNooy**, Barnes City, IA (US)

(73) Assignee: **Dennis DeNooy**, Barnes City, IA (US)

(**) Term: **14 Years**

(21) Appl. No.: **29/513,362**

(22) Filed: **Dec. 30, 2014**

(51) **LOC (10) Cl.** **23-01**

(52) **U.S. Cl.**

USPC **D23/267**

(58) **Field of Classification Search**

USPC D23/259–263, 266–269, 233, 209, 210;
251/215, 216; 285/369, 372, 373, 417,
285/133.11, 133.3, 133.21, 133.4, 133.5,
285/133.6; 137/247, 247.41, 247.51

CPC F16L 11/00; F16L 37/252; F16L 41/007;
E03C 1/26; E03C 1/262; E03C 1/28; E03F
5/04; A61B 5/00; A61M 25/09016

See application file for complete search history.

(56) **References Cited**

U.S. PATENT DOCUMENTS

299,175 A * 5/1884 Sheets F23L 17/02
126/307 A
653,750 A * 7/1900 Whorrall B67D 7/166
137/607

(Continued)

Primary Examiner — Sandra Snapp

(74) *Attorney, Agent, or Firm* — McKee, Voorhees & Sease, PLC

(57) **CLAIM**

I claim the ornamental design for a gutter downspout adapter, substantially as shown and described.

DESCRIPTION

FIG. 1 is a perspective view of a gutter downspout adapter showing my new design;

FIG. 2 is a front elevation view of the adapter of FIG. 1;

FIG. 3 is a rear elevation view of the adapter of FIG. 1;

FIG. 4 is a top plan view of the adapter of FIG. 1;

FIG. 5 is a bottom plan view of the adapter of FIG. 1;

FIG. 6 is a left side elevation view of the adapter of FIG. 1;

FIG. 7 is a right side elevation view of the adapter of FIG. 1;

FIG. 8 is a perspective view of a gutter downspout adapter showing another one of my new designs;

FIG. 9 is a front elevation view of the adapter of FIG. 8;

FIG. 10 is a rear elevation view of the adapter of FIG. 8;

FIG. 11 is a top plan view of the adapter of FIG. 8;

FIG. 12 is a bottom plan elevation view of the adapter of FIG. 8;

FIG. 13 is a left side elevation view of the adapter of FIG. 8;

FIG. 14 is a right side elevation view of the adapter of FIG. 8;

FIG. 15 is a perspective view of a gutter downspout adapter showing another one of my new designs;

FIG. 16 is a front elevation view of the adapter of FIG. 15;

FIG. 17 is a rear elevation view of the adapter of FIG. 15;

FIG. 18 is a top plan view of the adapter of FIG. 15;

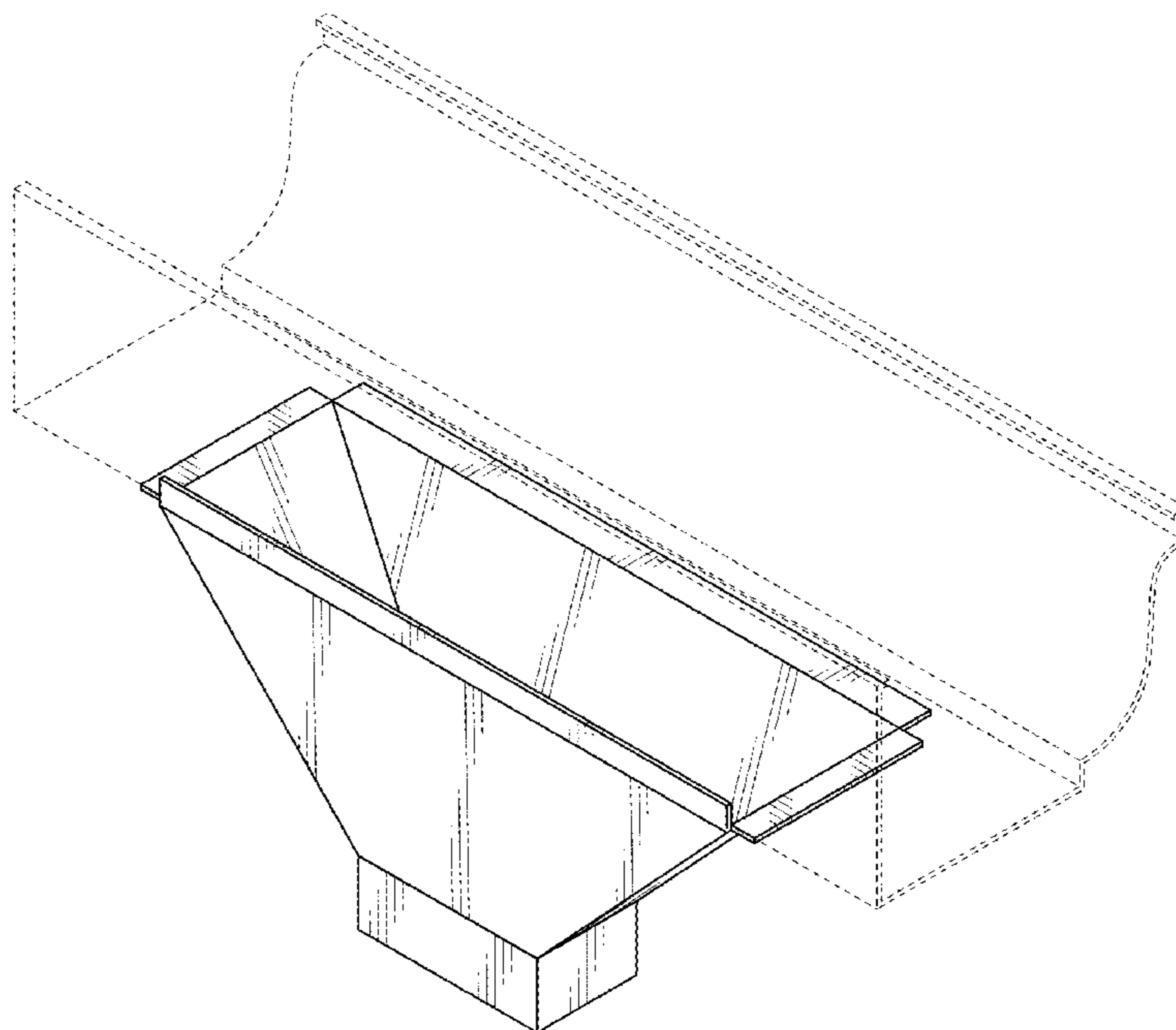
FIG. 19 is a bottom plan view of the adapter of FIG. 15;

FIG. 20 is a right side elevation view of the adapter of FIG. 15; and,

FIG. 21 is a left side elevation view of the adapter of FIG. 15.

In the drawings, the broken lines present features of the gutter downspout adapter that form no part of the claimed design.

1 Claim, 15 Drawing Sheets



(56)

References Cited

U.S. PATENT DOCUMENTS

943,214 A *	12/1909	Baier et al.	F16L 11/18	138/120	5,526,612 A *	6/1996	Wade	E04D 13/0645	404/2
1,374,866 A *	4/1921	Spencer	F23J 13/04	104/52	D425,182 S *	5/2000	Vargas	D23/260	210/474
1,771,176 A *	7/1930	Holub	F24D 5/00	285/48.22	6,273,145 B1 *	8/2001	Botting	F24F 13/02	138/156
1,881,508 A *	10/1932	Gredell	F16L 37/252	285/148.22	D475,440 S *	6/2003	Sawyer	D23/267	
2,777,405 A *	1/1957	Ager	E04D 13/0645	52/16	D482,433 S *	11/2003	Sawyer	D23/267	
2,963,783 A *	12/1960	Field	B21C 37/28	285/183	D501,547 S *	2/2005	Stout, Jr.	D23/393	
3,871,145 A *	3/1975	Hatmaker	E04D 13/1407	138/162	D528,646 S *	9/2006	Stout, Jr.	D23/393	
4,760,981 A *	8/1988	Hodges	F16L 3/006	248/343	D537,934 S *	3/2007	Crook	D23/393	
4,956,948 A *	9/1990	Hart	E04D 13/08	210/162	7,390,251 B2 *	6/2008	Hadlock, Jr.	F24F 13/02	454/289
5,160,811 A *	11/1992	Ritzmann	F16L 3/015	138/121	D589,599 S *	3/2009	Castrillo	D23/267	
5,360,284 A *	11/1994	Allard	E03F 5/041		7,966,857 B1 *	6/2011	Myers	B21D 22/20	29/890.141
						D669,570 S *	10/2012	Penlesky	D23/393	
						8,286,390 B2 *	10/2012	Leahy	E04D 13/0645	52/11
						D732,147 S *	6/2015	French	D23/267	
						2003/0177724 A1 *	9/2003	Botting	F24F 13/20	52/302.1
						2005/0086883 A1 *	4/2005	Wade	E04D 13/0645	52/302.1

* cited by examiner

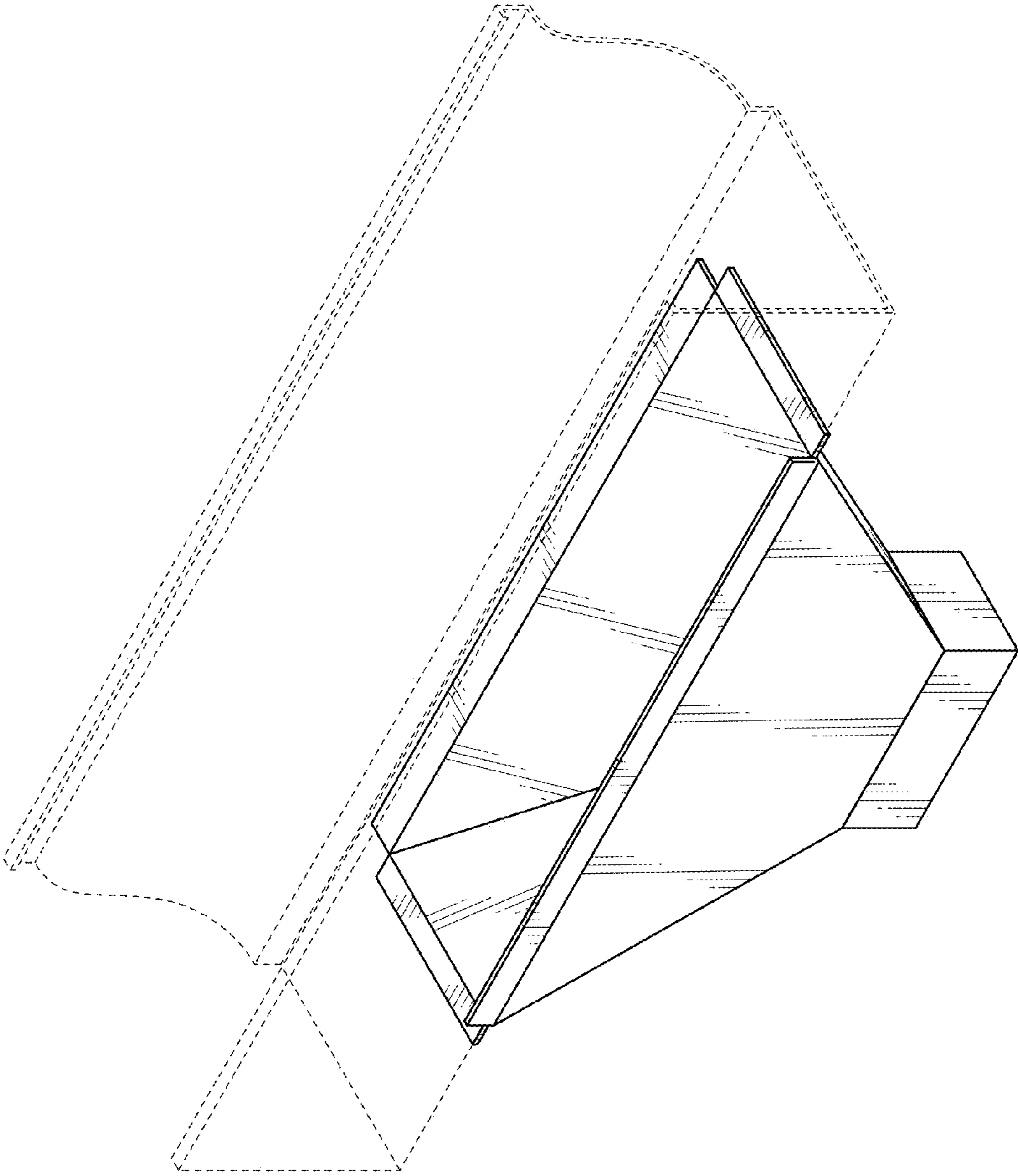


FIG. 1

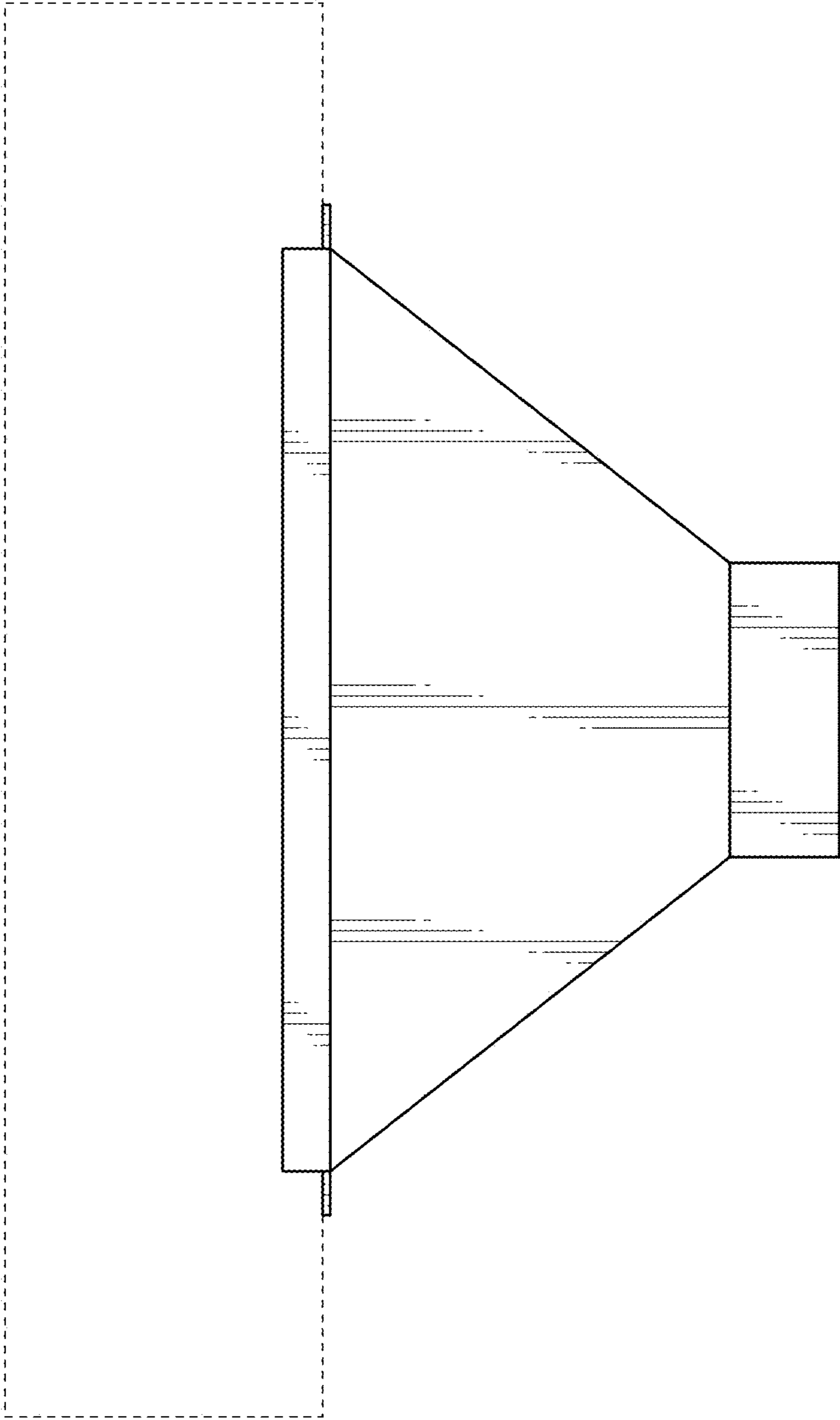


FIG. 2

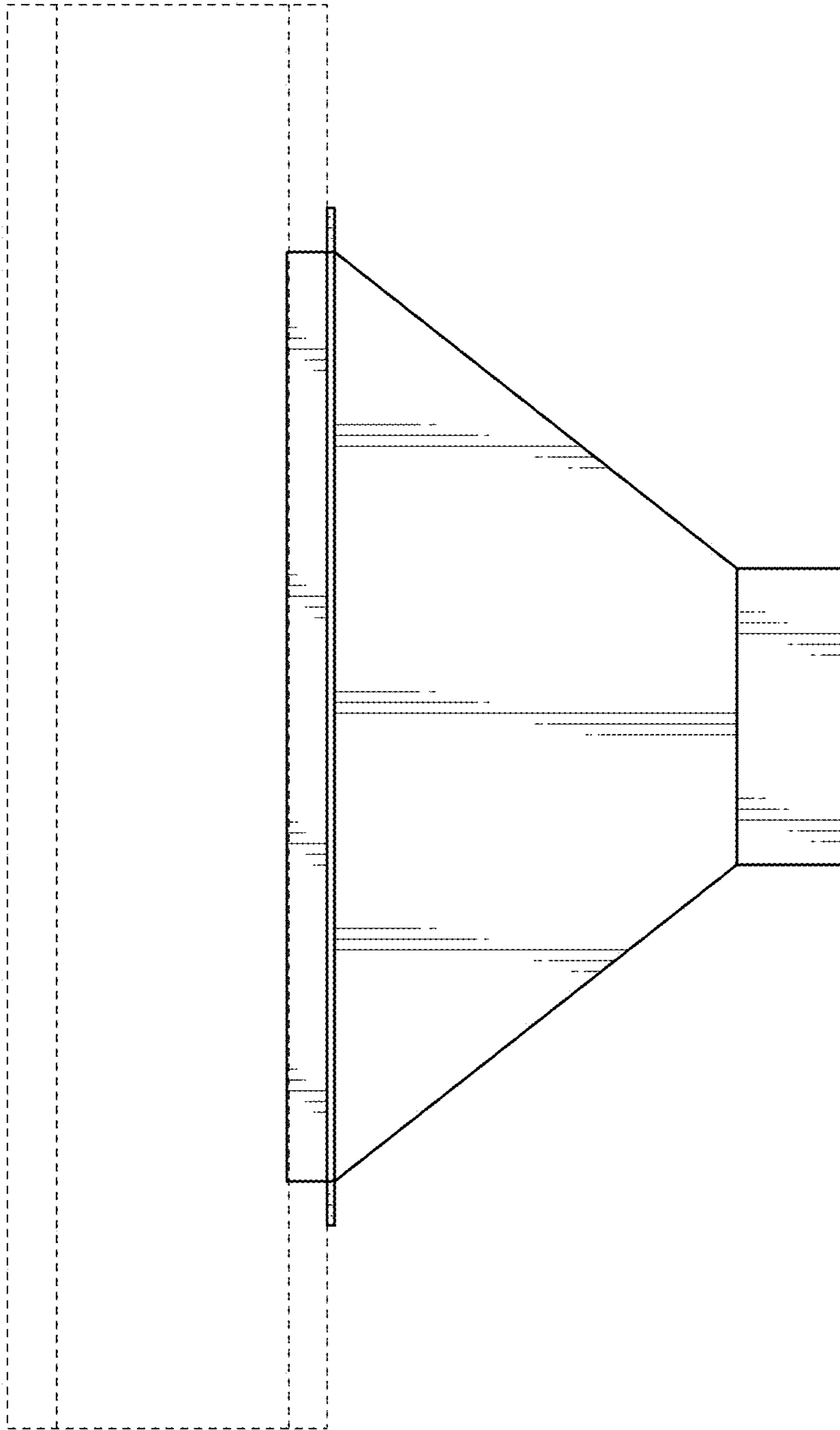


FIG. 3

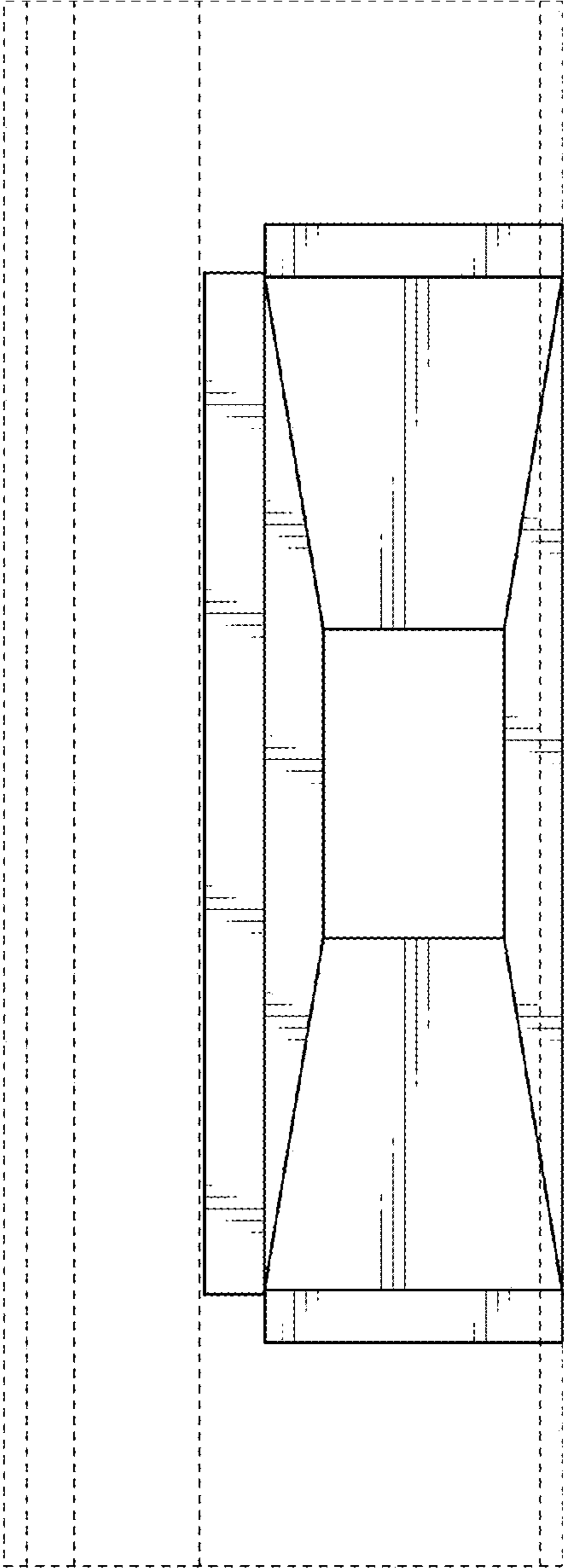


FIG. 4

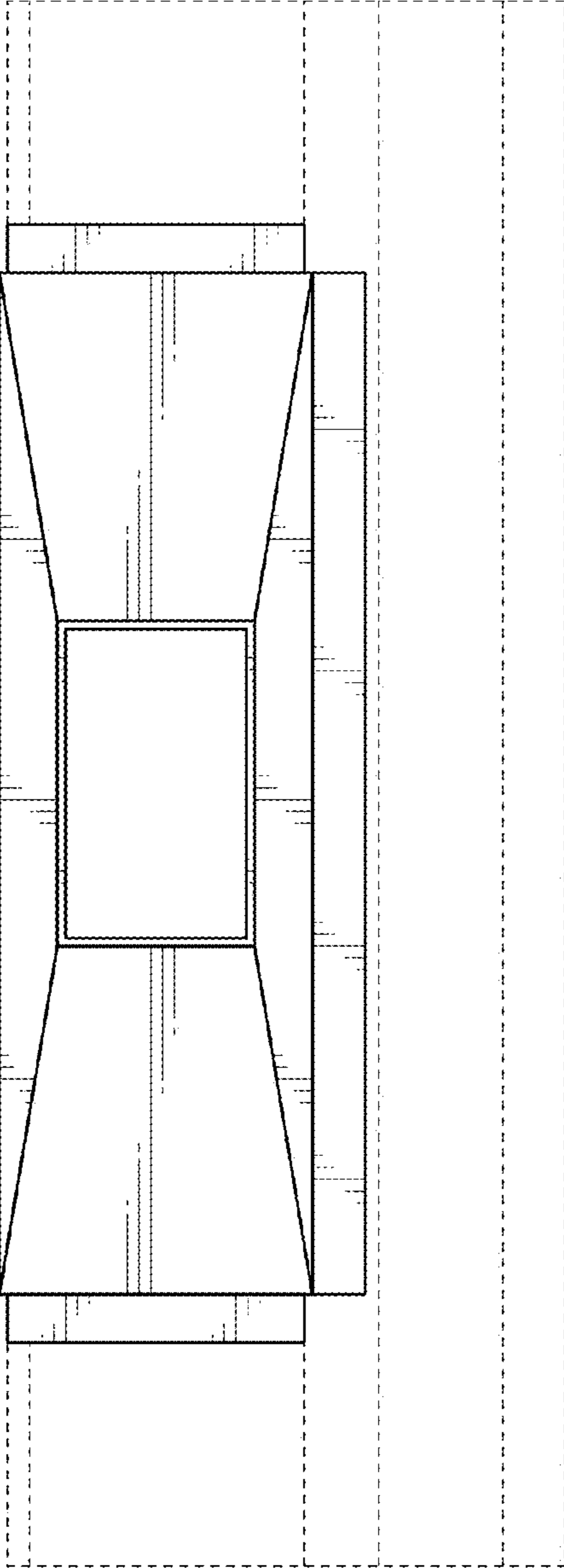


FIG. 5

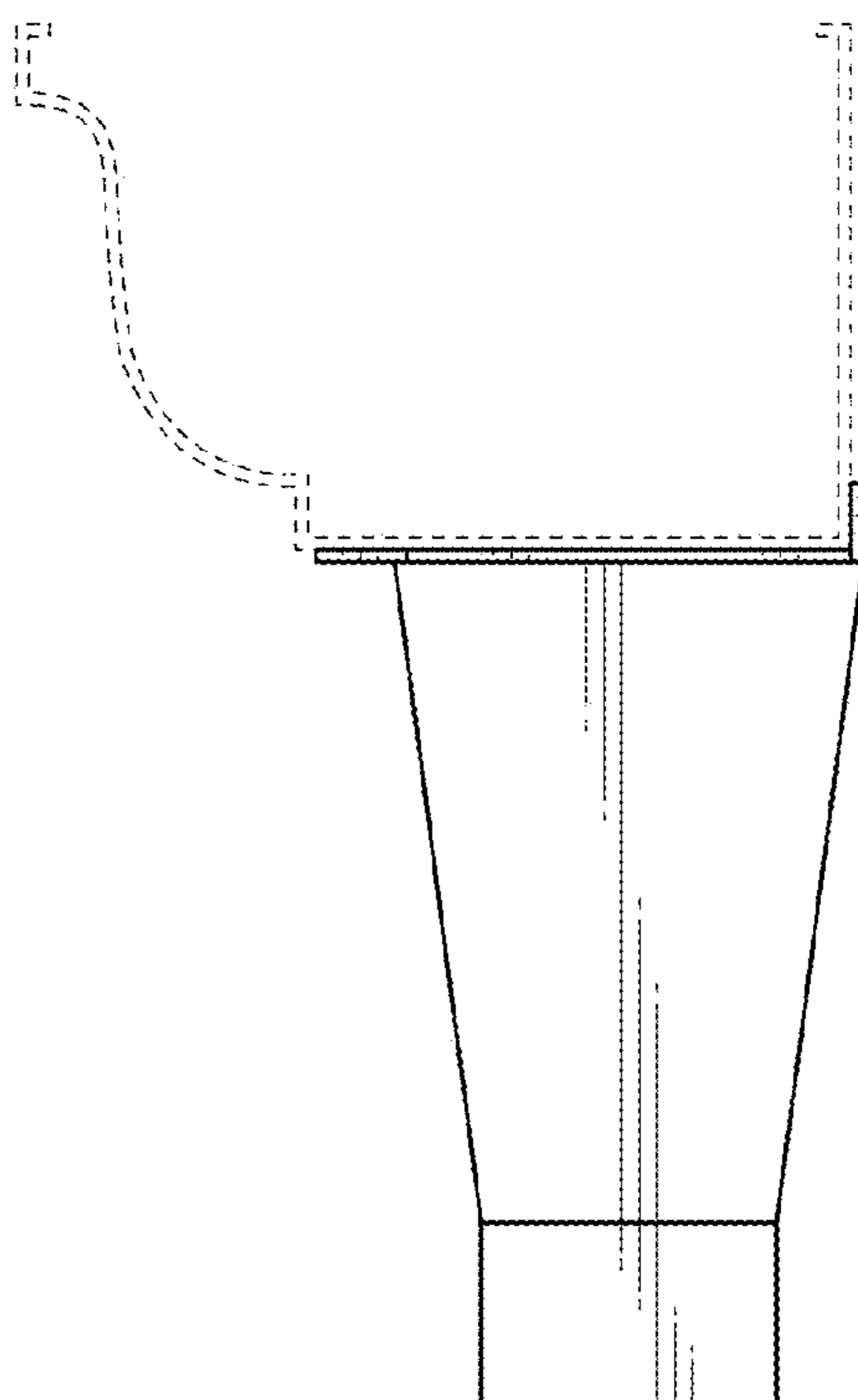


FIG. 6

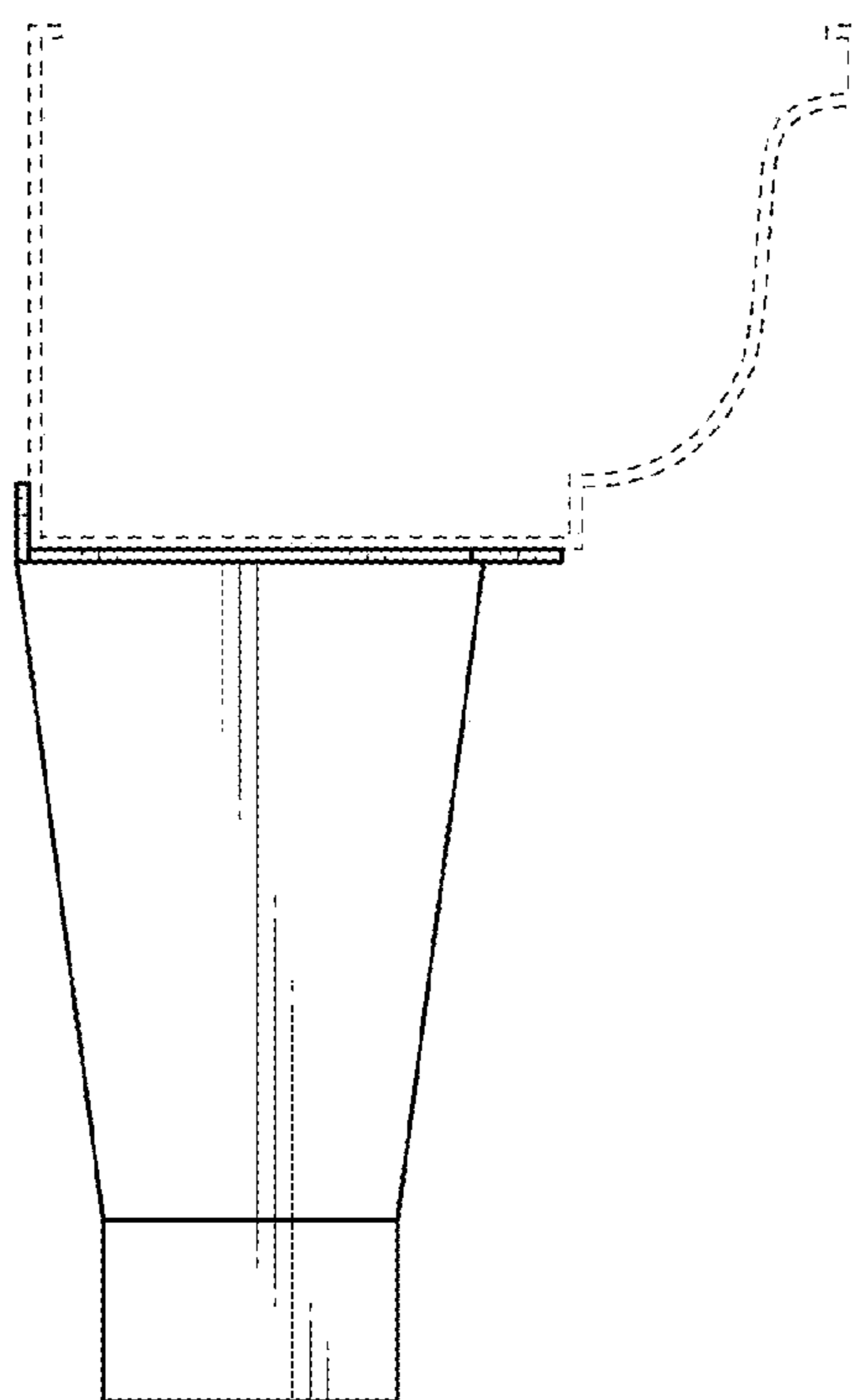


FIG. 7

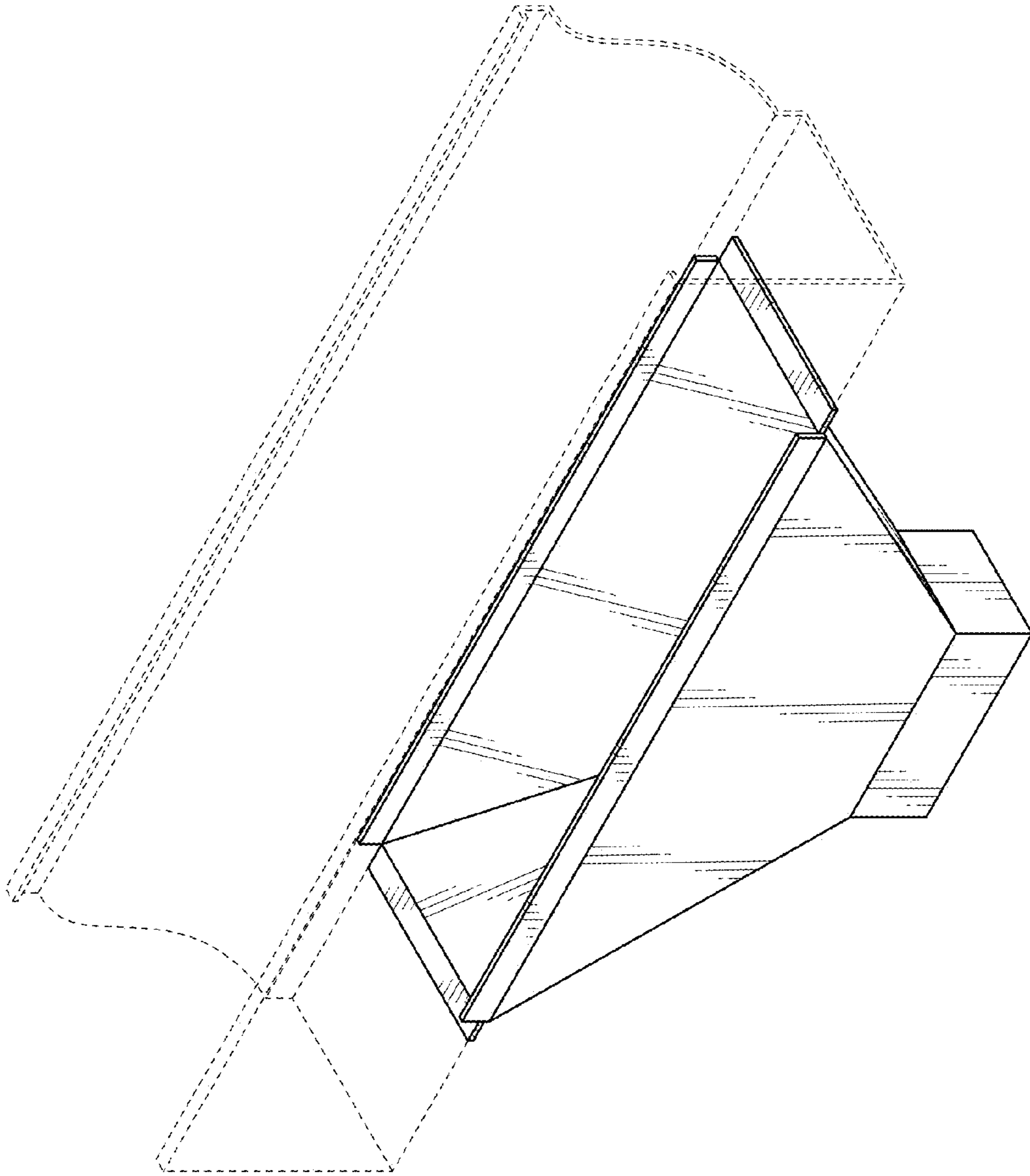


FIG. 8

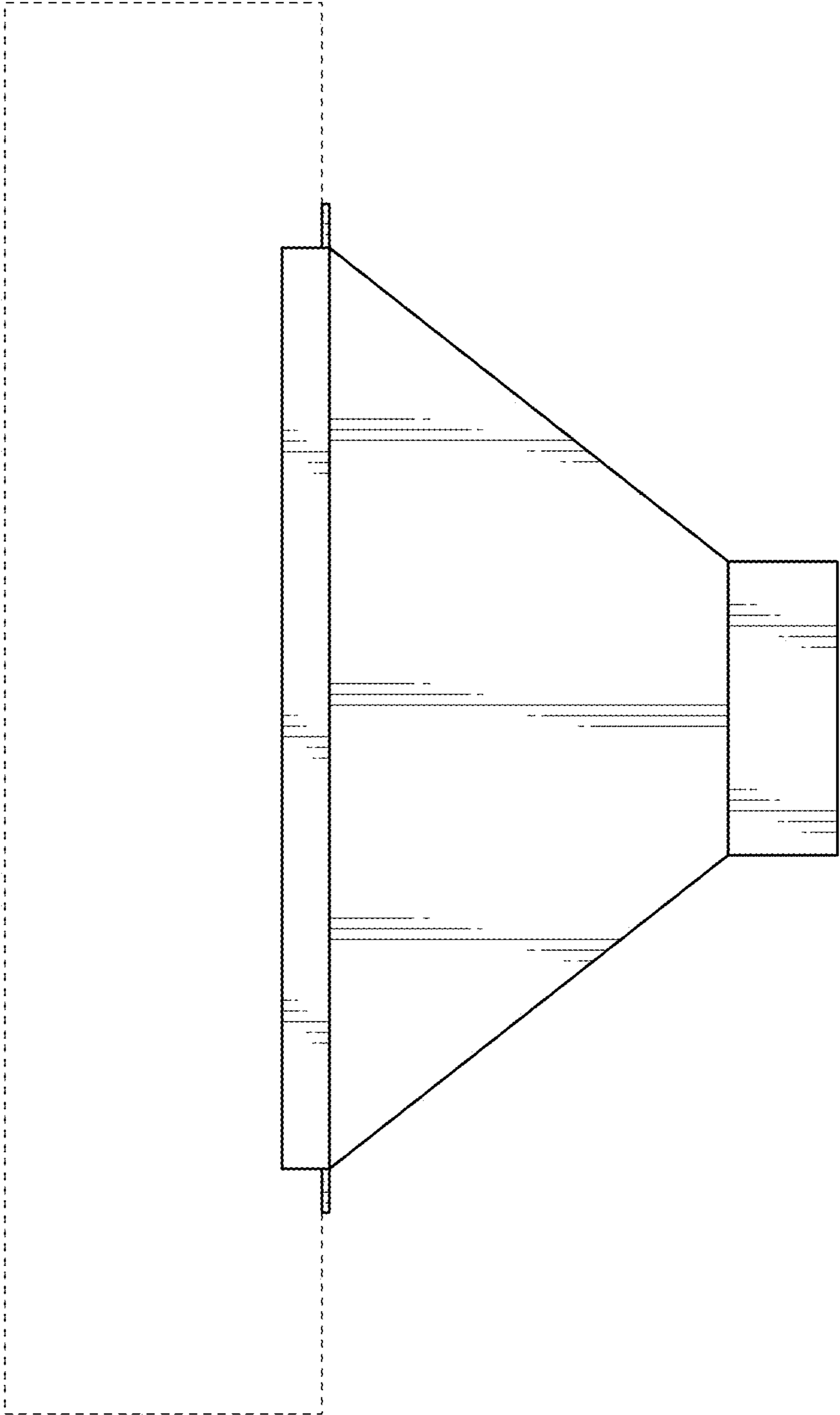


FIG. 9

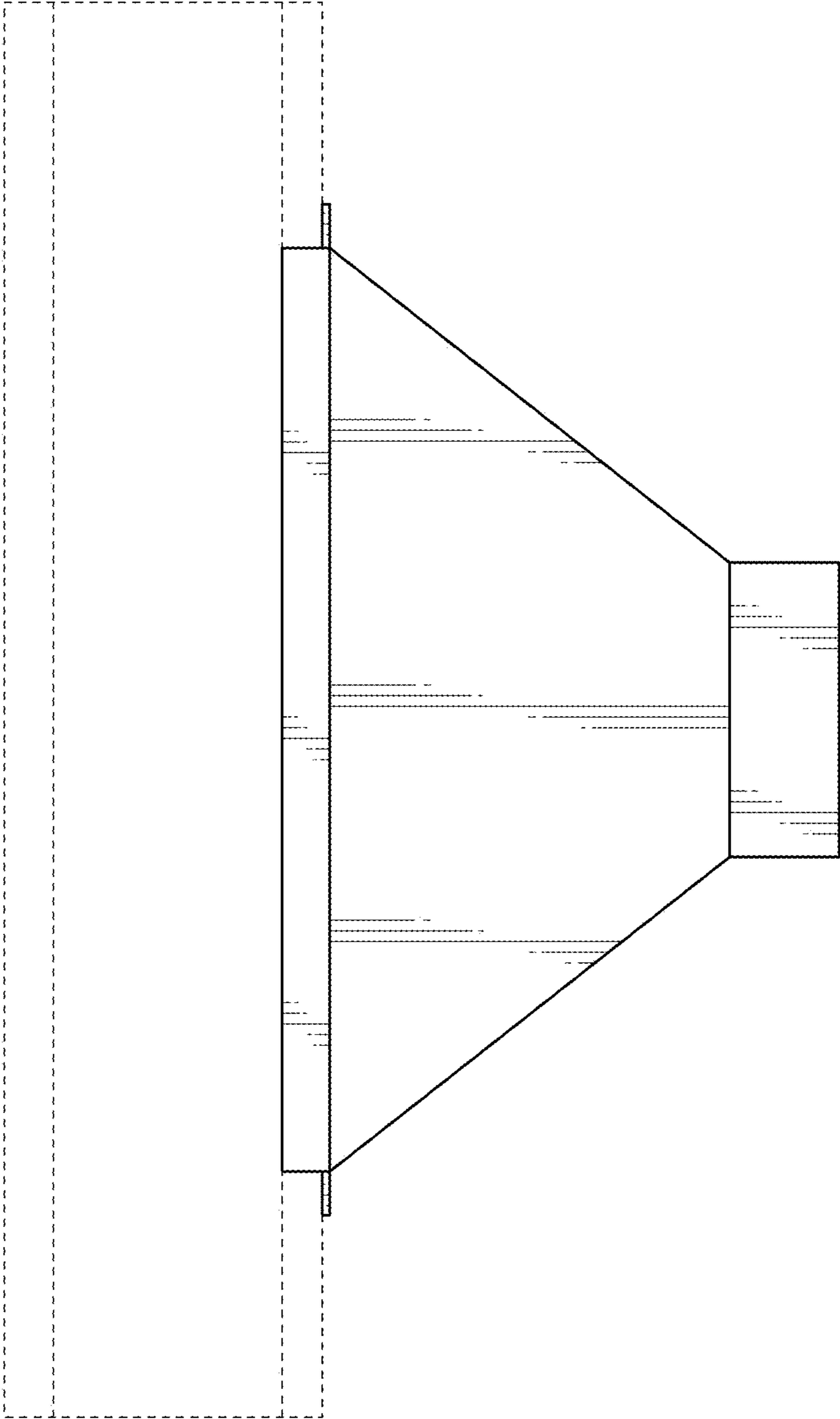


FIG. 10

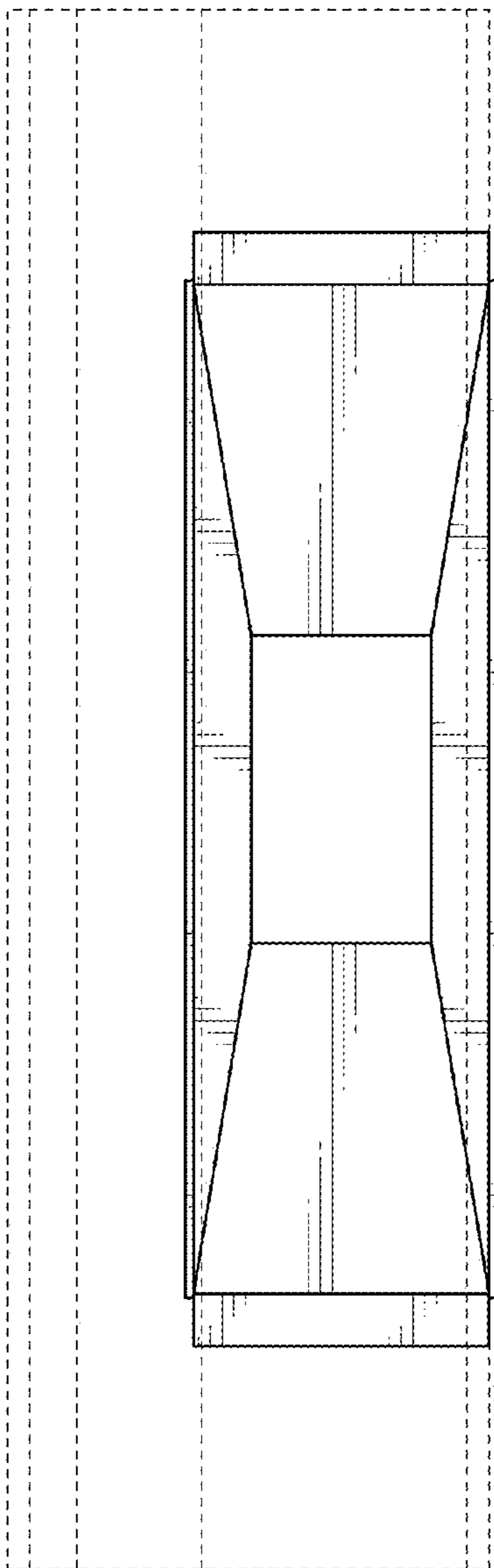


FIG. 11

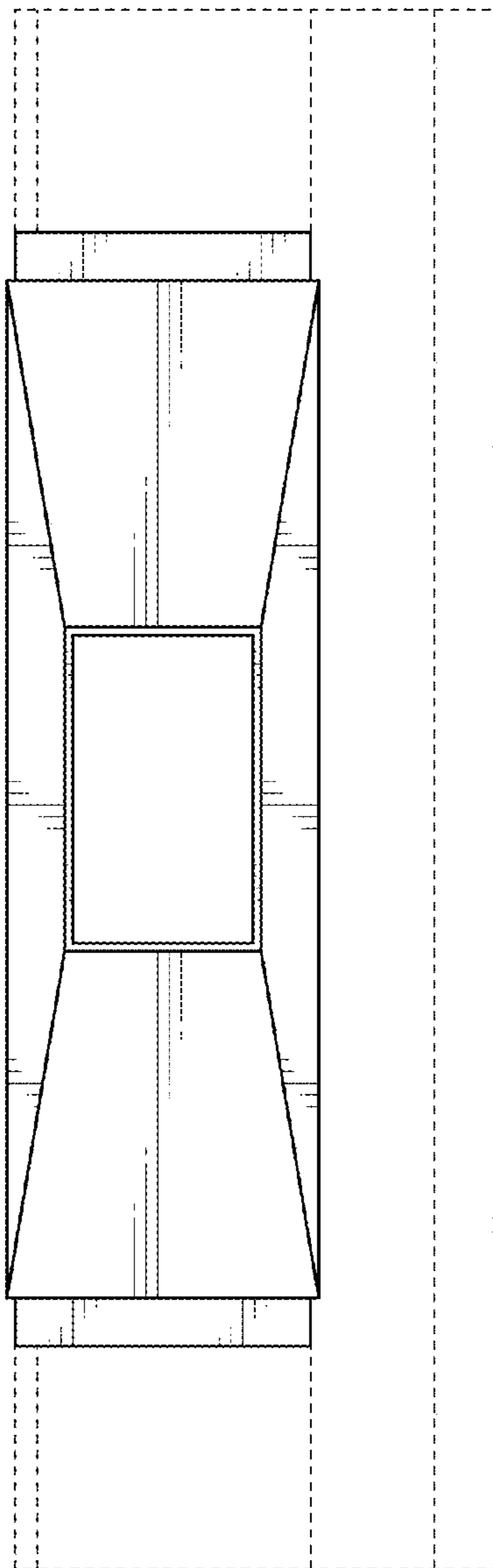


FIG. 12

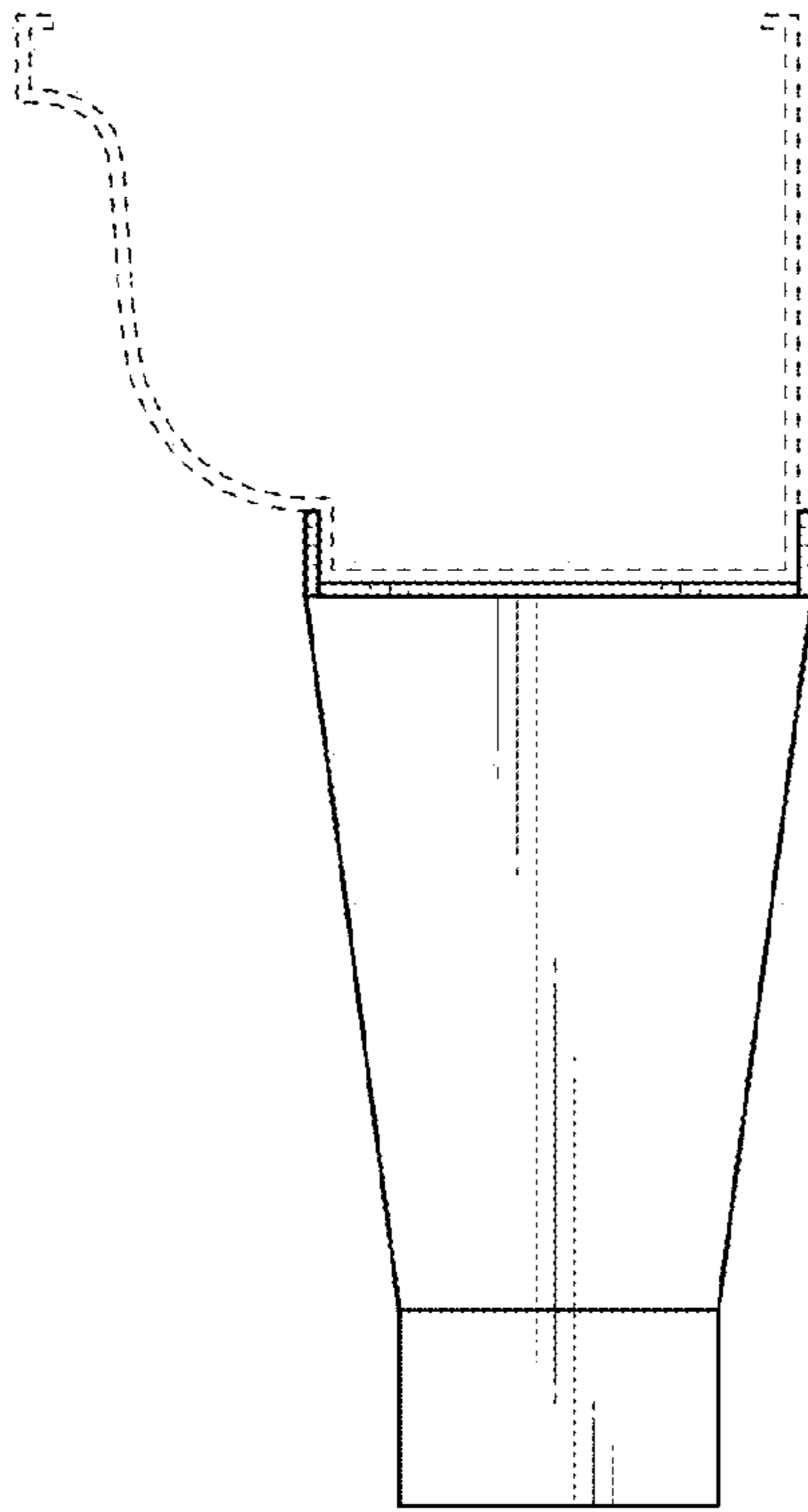


FIG. 13

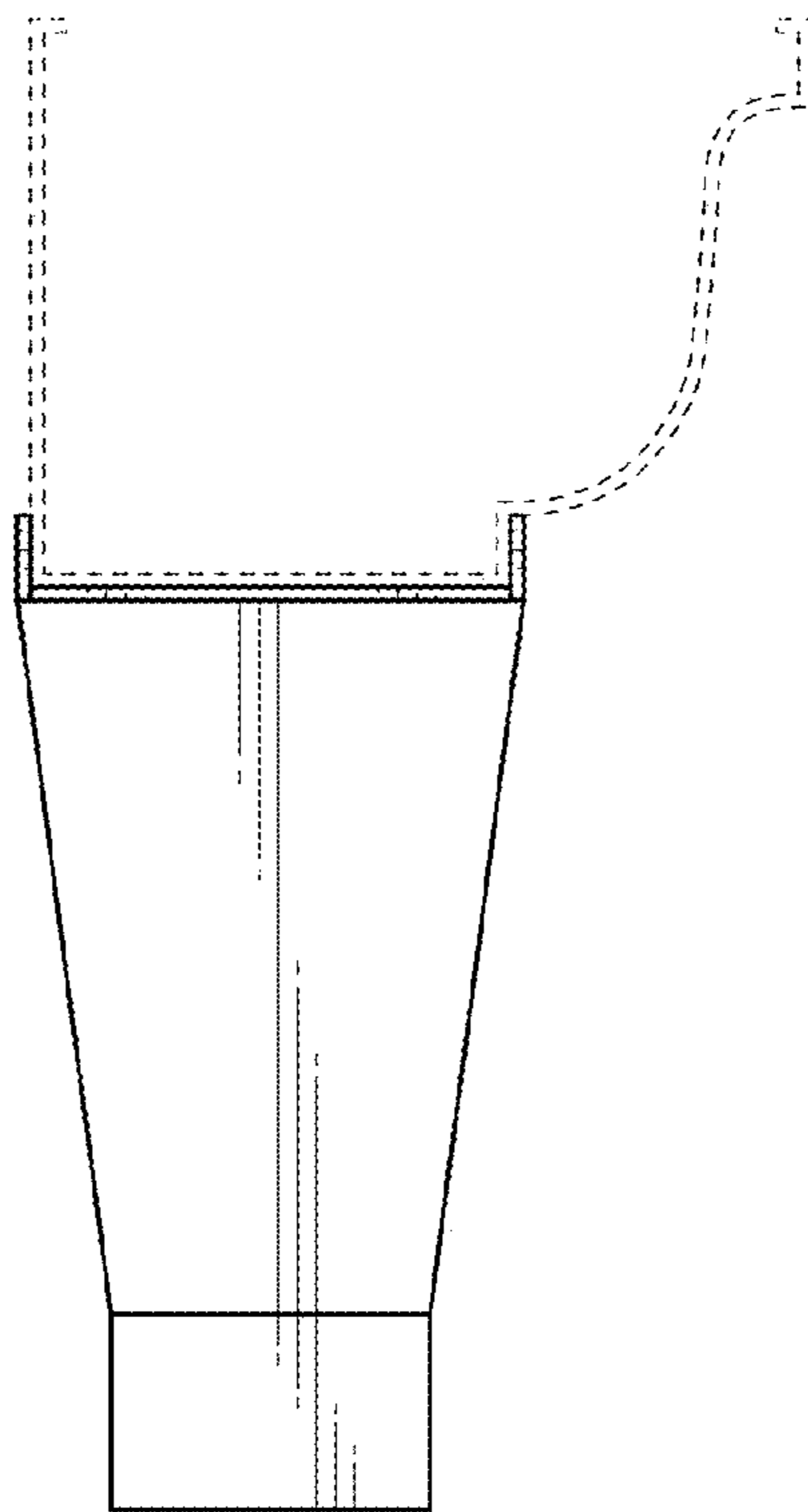


FIG. 14

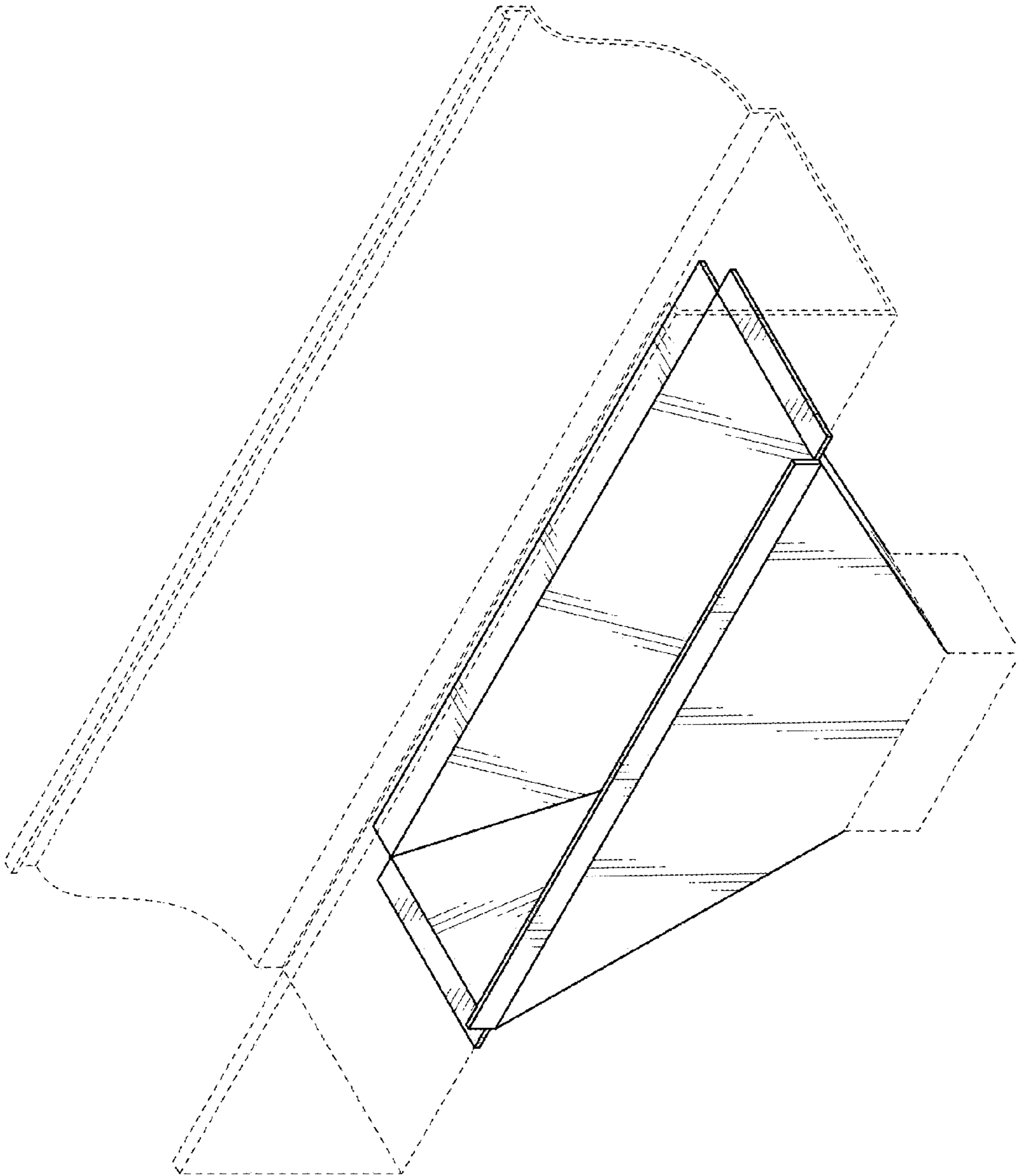


FIG. 15

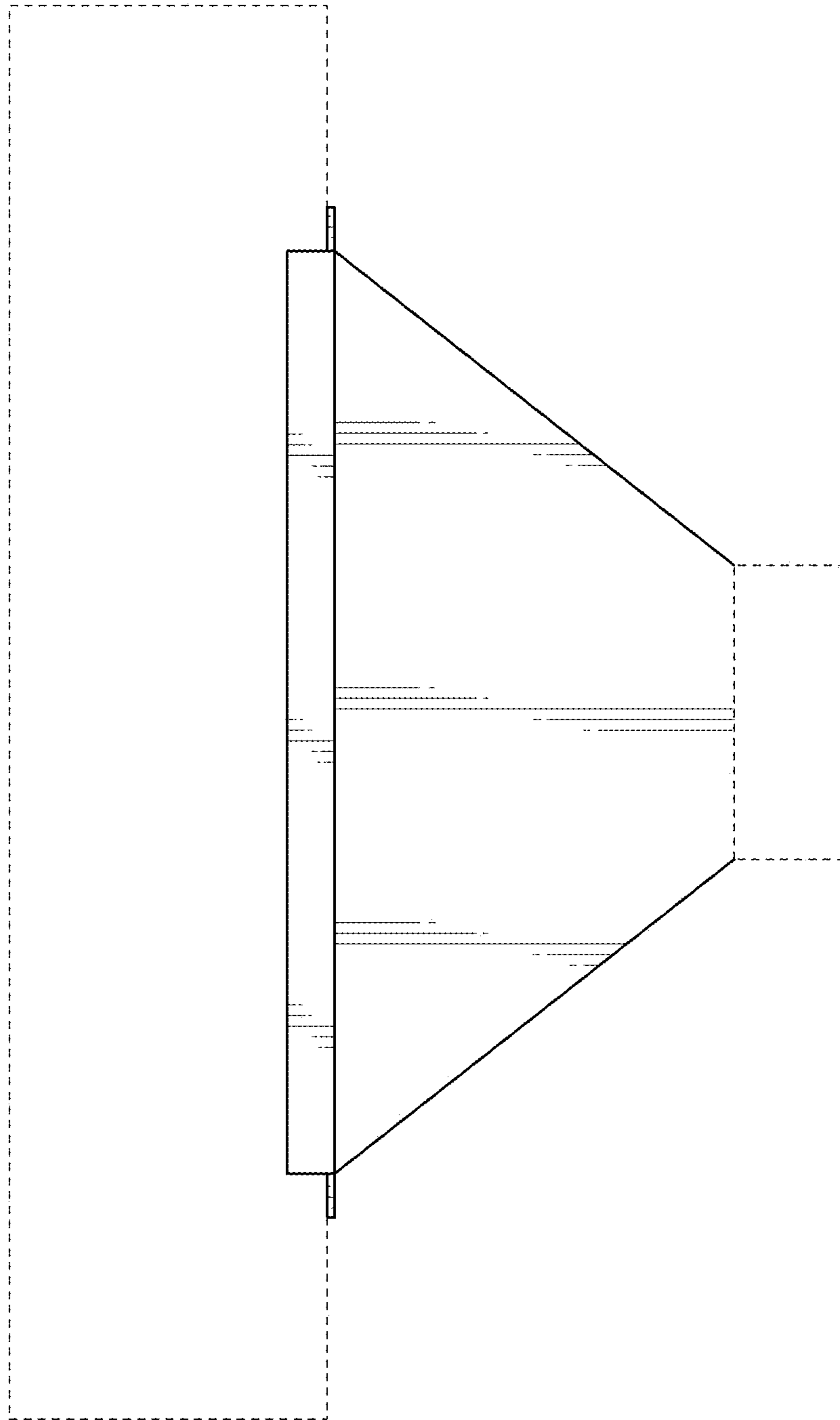


FIG. 16

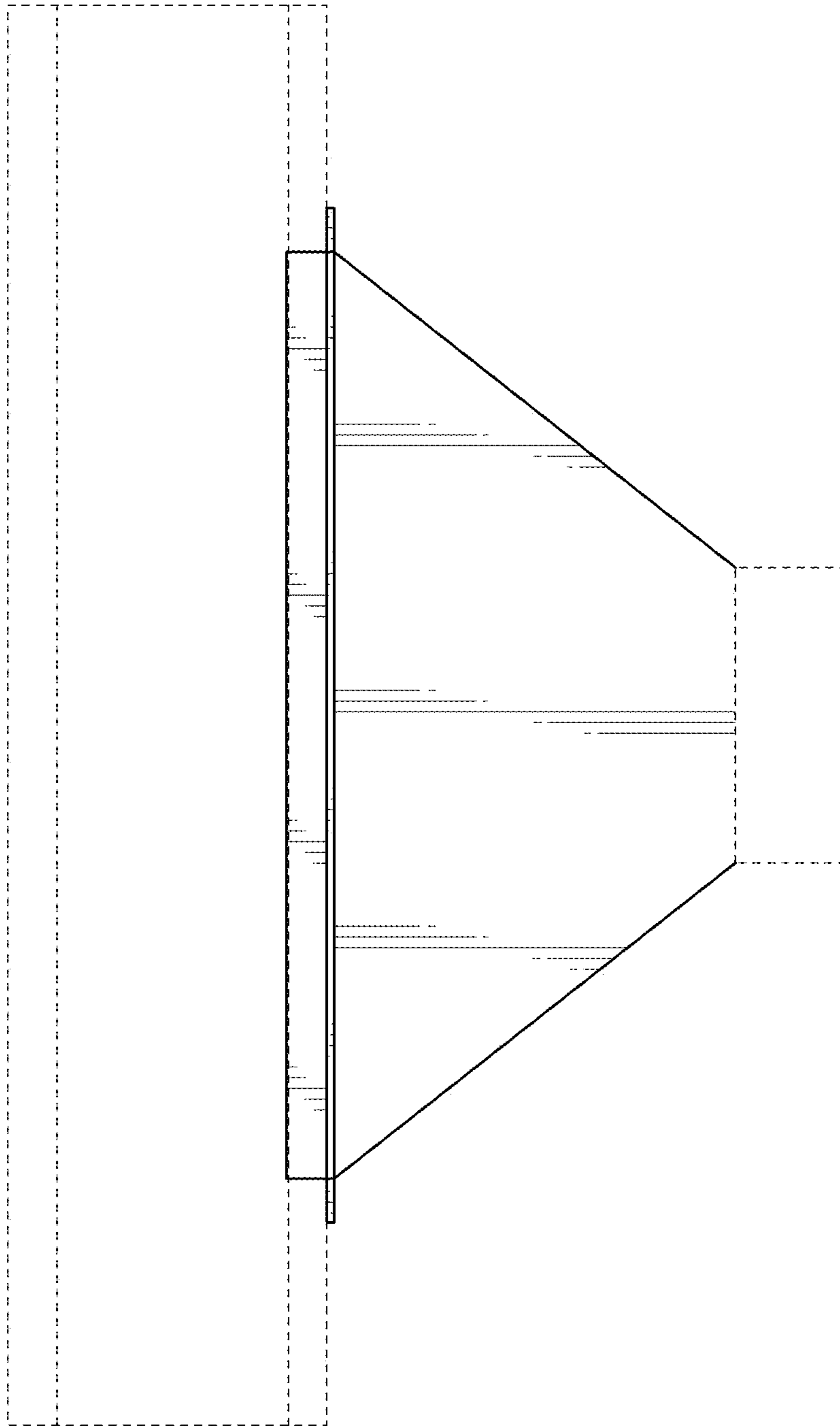


FIG. 17

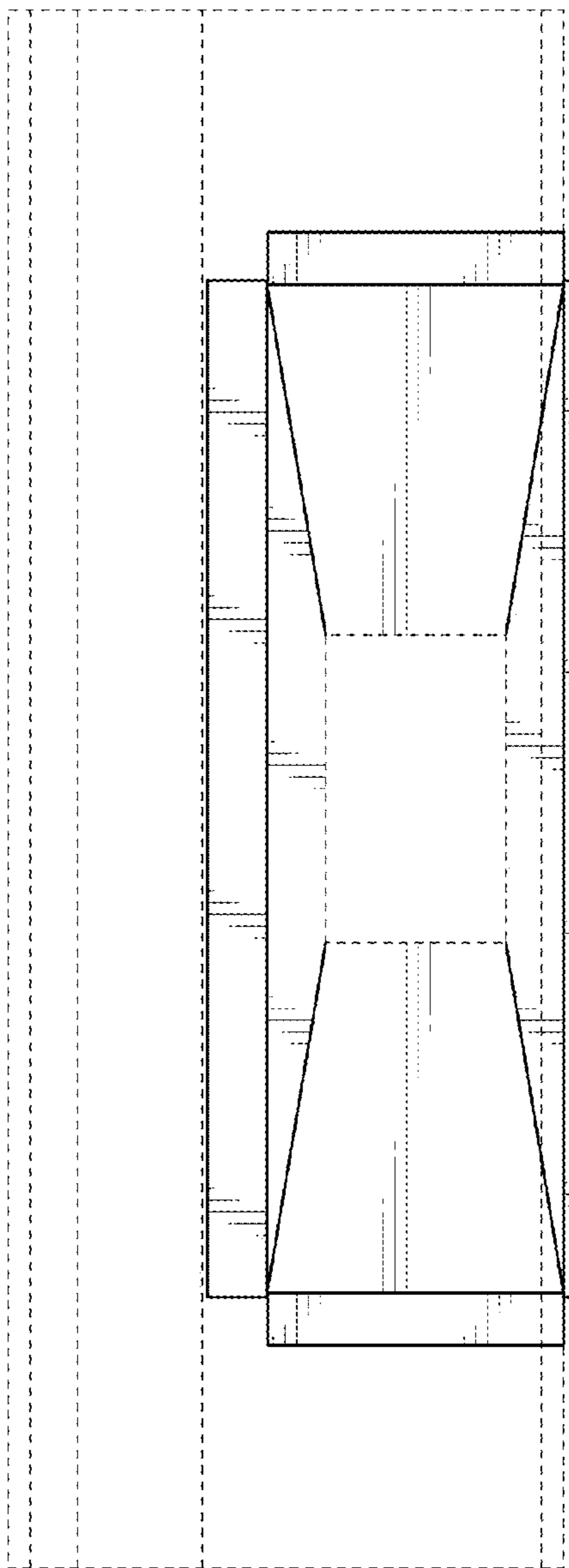


FIG. 18

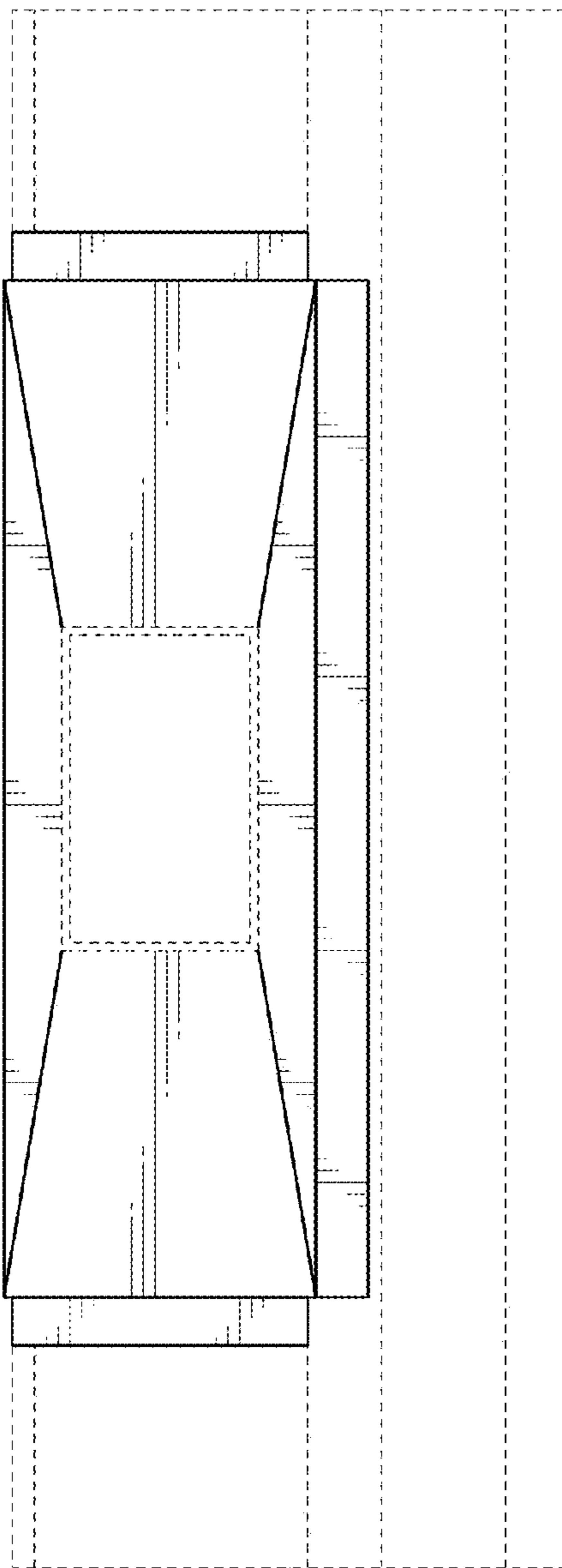


FIG. 19

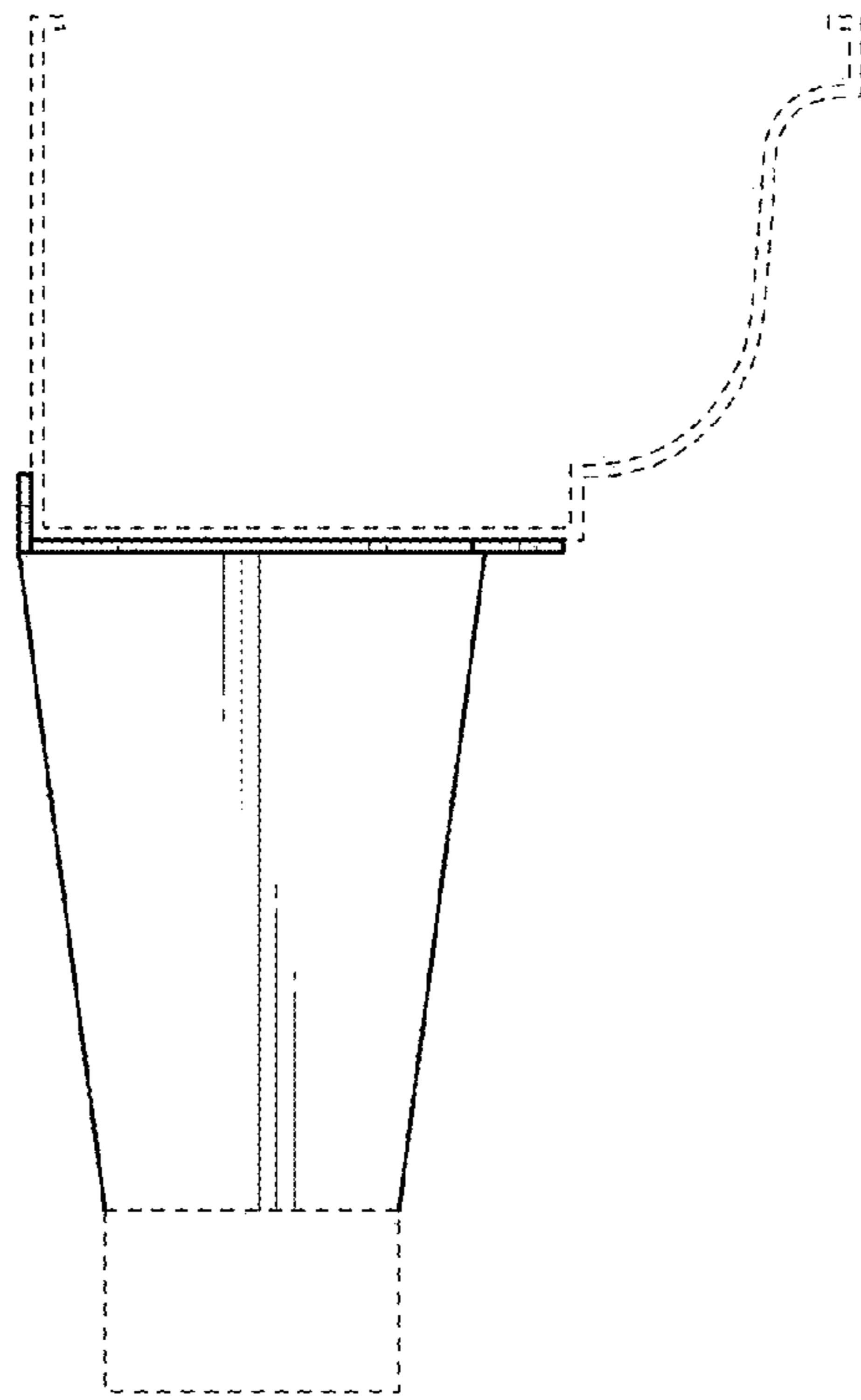


FIG. 20

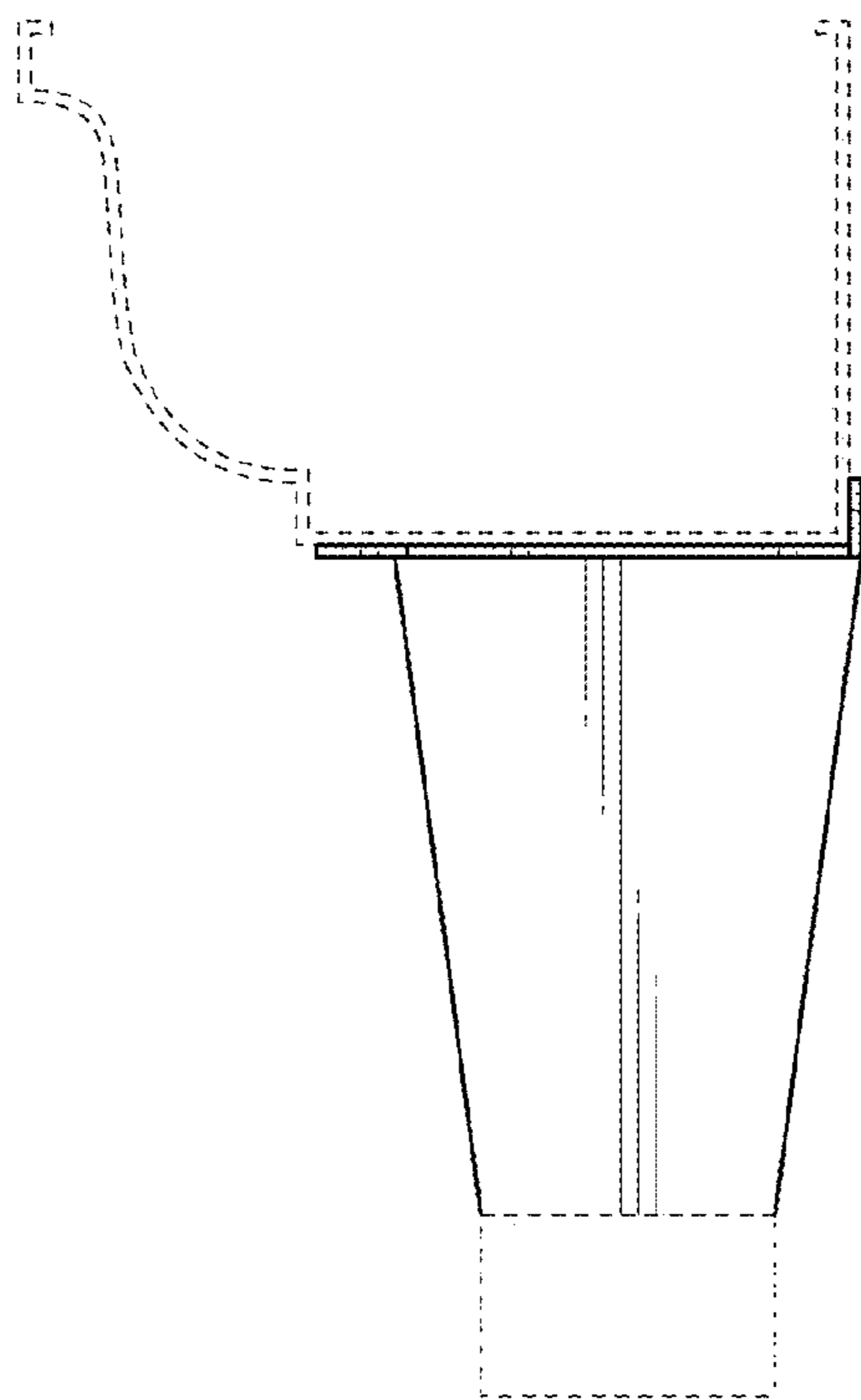


FIG. 21