



US00D752186S

(12) **United States Design Patent**
Schoenherr et al.

(10) **Patent No.:** **US D752,186 S**
(45) **Date of Patent:** **** Mar. 22, 2016**

(54) **FAUCET BODY**

(71) Applicant: **Hansgrohe SE**, Schiltach (DE)
(72) Inventors: **Tom Schoenherr**, Stuttgart (DE);
Andreas Diefenbach,
Ludwigsburg-Oßweil (DE)
(73) Assignee: **Hansgrohe SE**, Schiltach (DE)
(**) Term: **14 Years**
(21) Appl. No.: **29/514,662**
(22) Filed: **Jan. 15, 2015**

(30) **Foreign Application Priority Data**

Jul. 18, 2014 (EM) 002505248-0011

(51) **LOC (10) Cl.** **23-01**

(52) **U.S. Cl.**
USPC **D23/255**

(58) **Field of Classification Search**
USPC D23/238-243, 249, 255, 257
CPC E03C 1/04; E03C 1/0401; E03C 1/0402;
E03C 1/0404

See application file for complete search history.

(56) **References Cited**

U.S. PATENT DOCUMENTS

D486,560 S * 2/2004 Spangler D23/238
D572,797 S * 7/2008 Kubler D23/238
D577,418 S * 9/2008 Lammel D23/238
D583,022 S * 12/2008 Soulier D23/255
D693,440 S * 11/2013 Lord D23/255
D719,645 S * 12/2014 Starck D23/255

* cited by examiner

Primary Examiner — Robert Delehanty

(74) *Attorney, Agent, or Firm* — Lora J. Graentzdoerffer

(57) **CLAIM**

The ornamental design for a faucet body, as shown and described.

DESCRIPTION

FIG. 1 is a perspective view;
FIG. 2 is a front elevation view;
FIG. 3 is a rear elevation view;
FIG. 4 is a right side elevation view;
FIG. 5 is a left side elevation view;
FIG. 6 is a top plan view; and,
FIG. 7 is a bottom plan view.
The broken lines indicate portions of the faucet body that form no part of the claimed design.

1 Claim, 7 Drawing Sheets

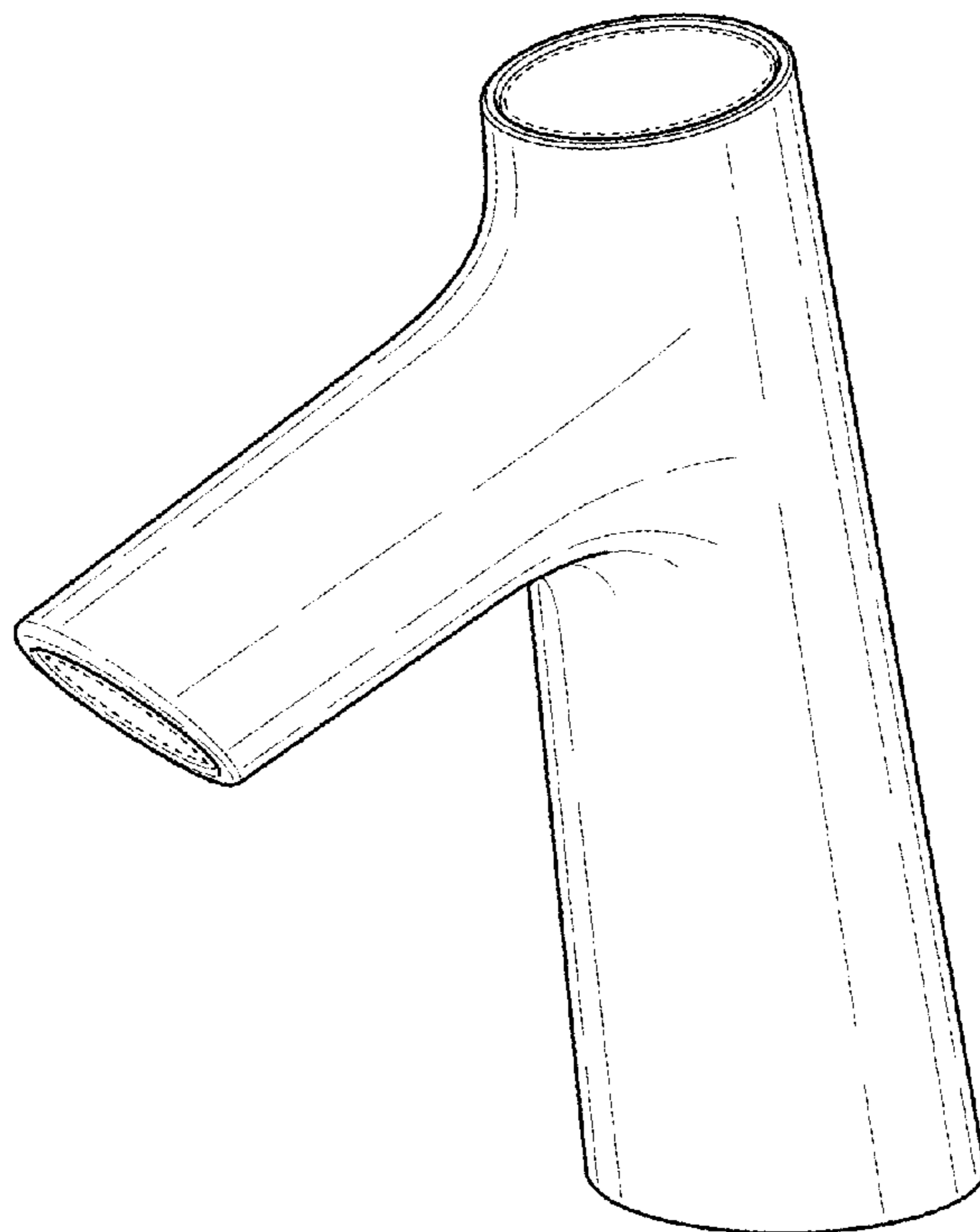


FIG. 1

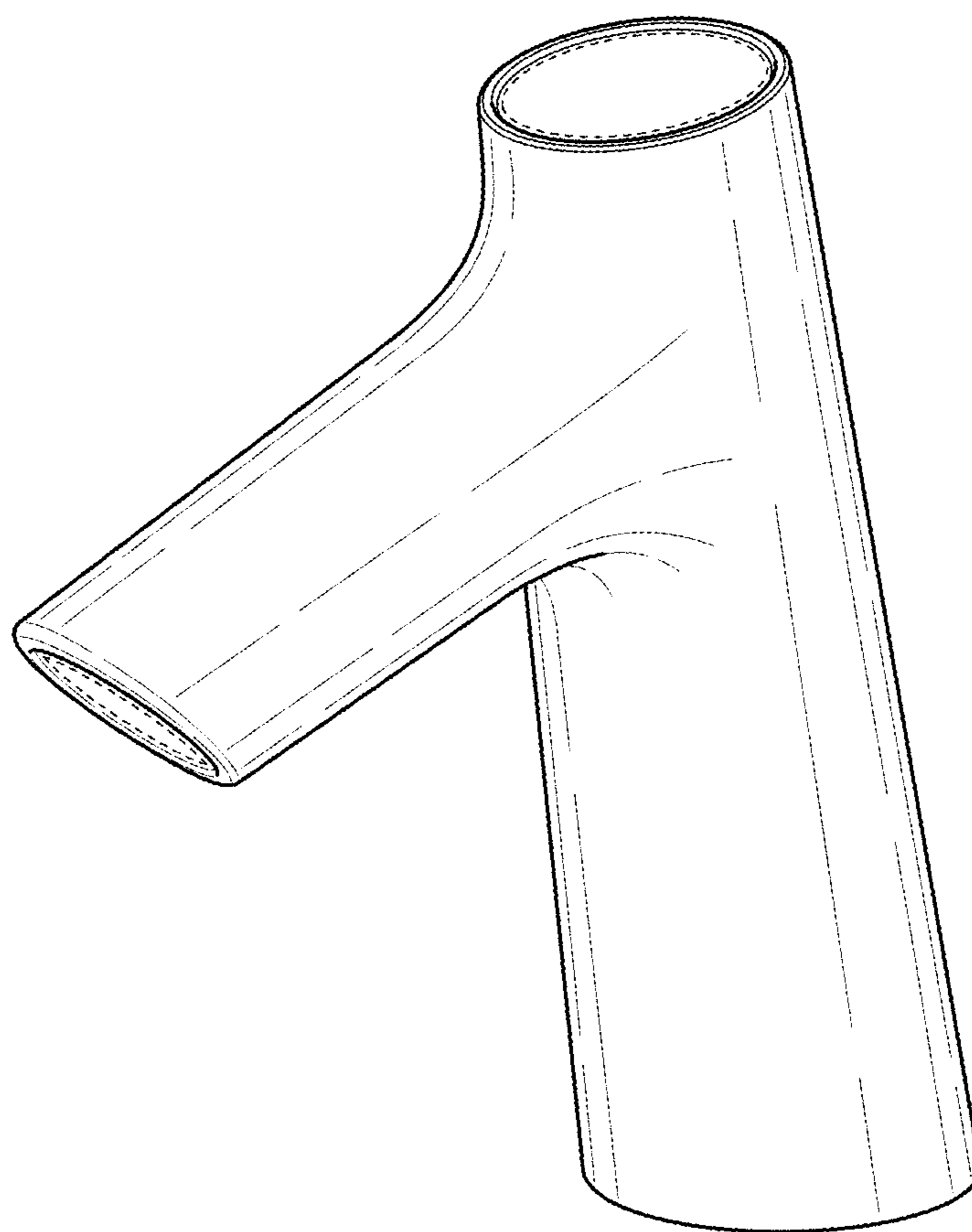


FIG. 2

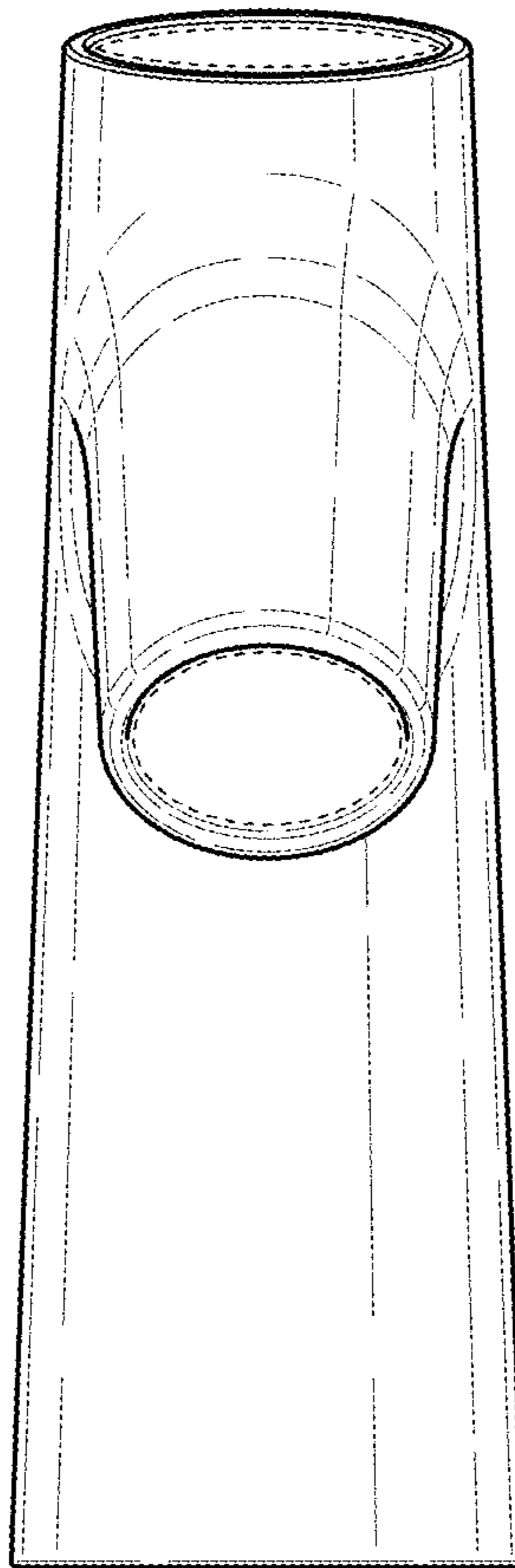


FIG. 3

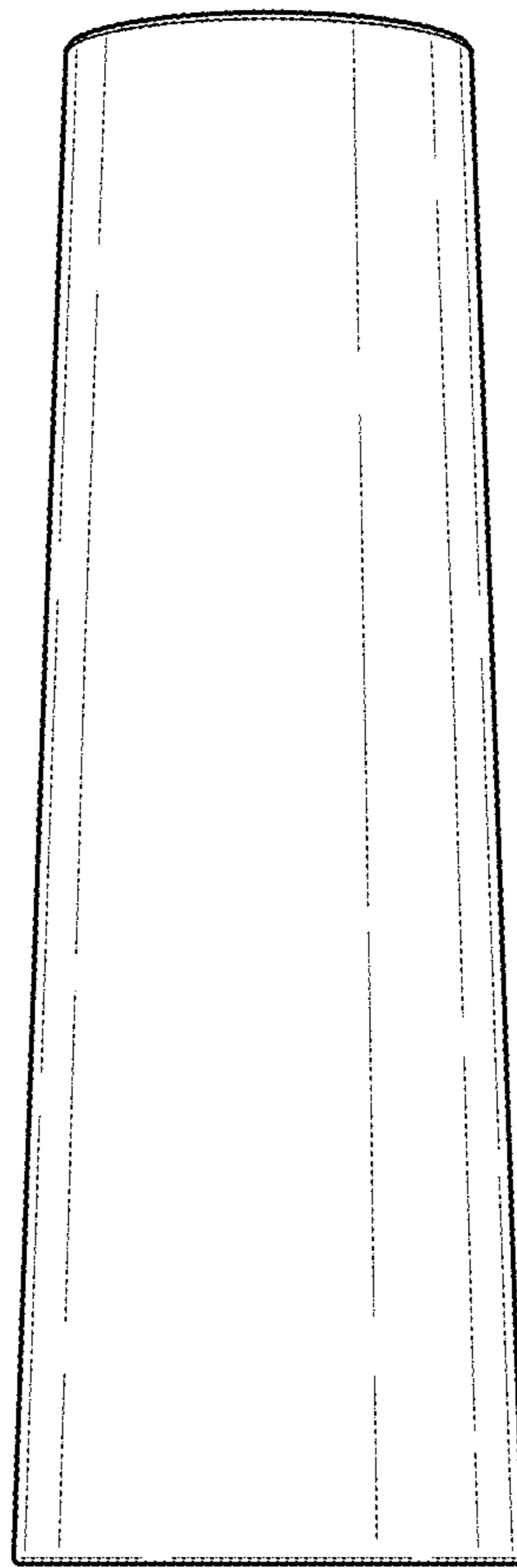


FIG. 4

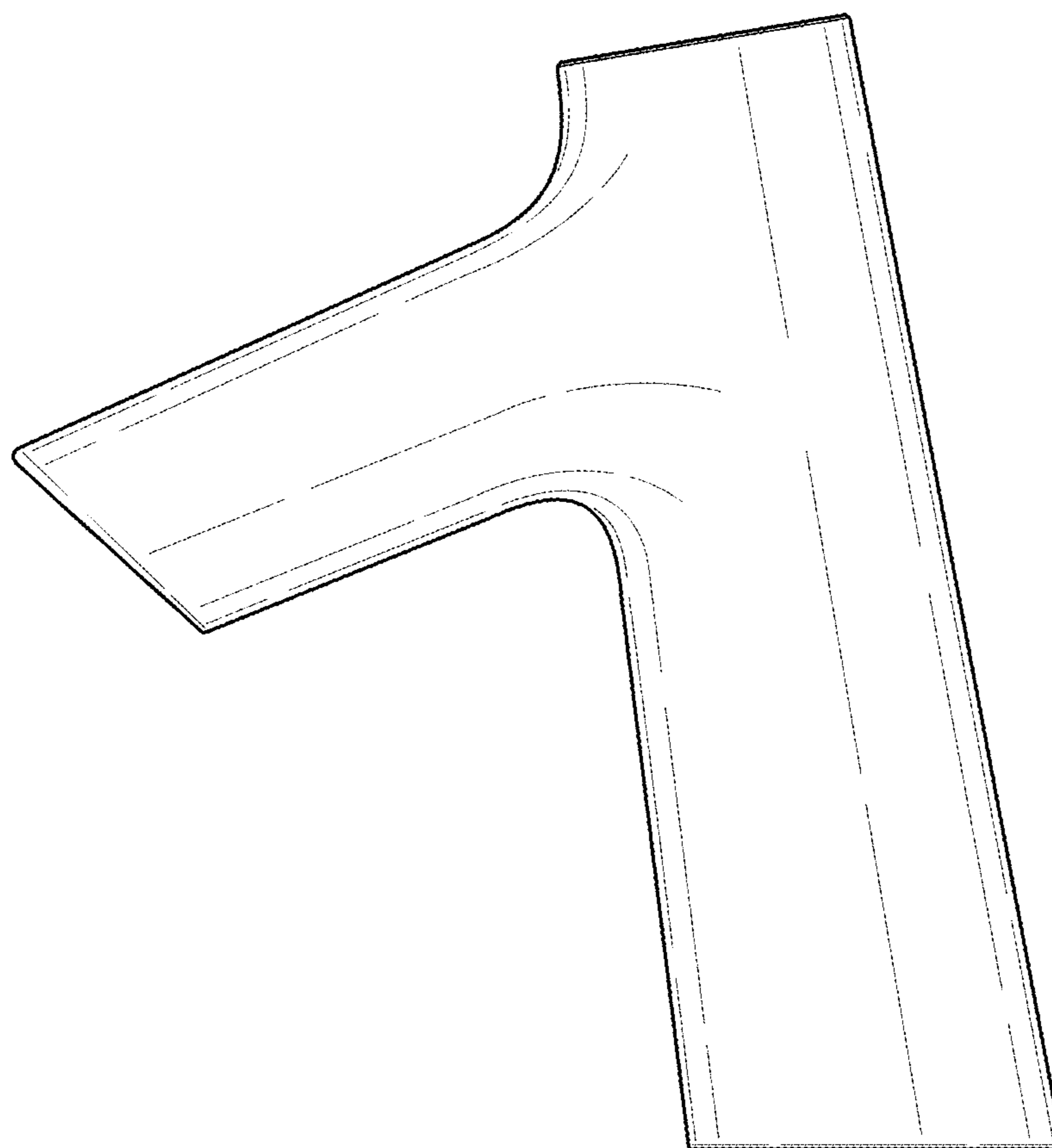


FIG. 5

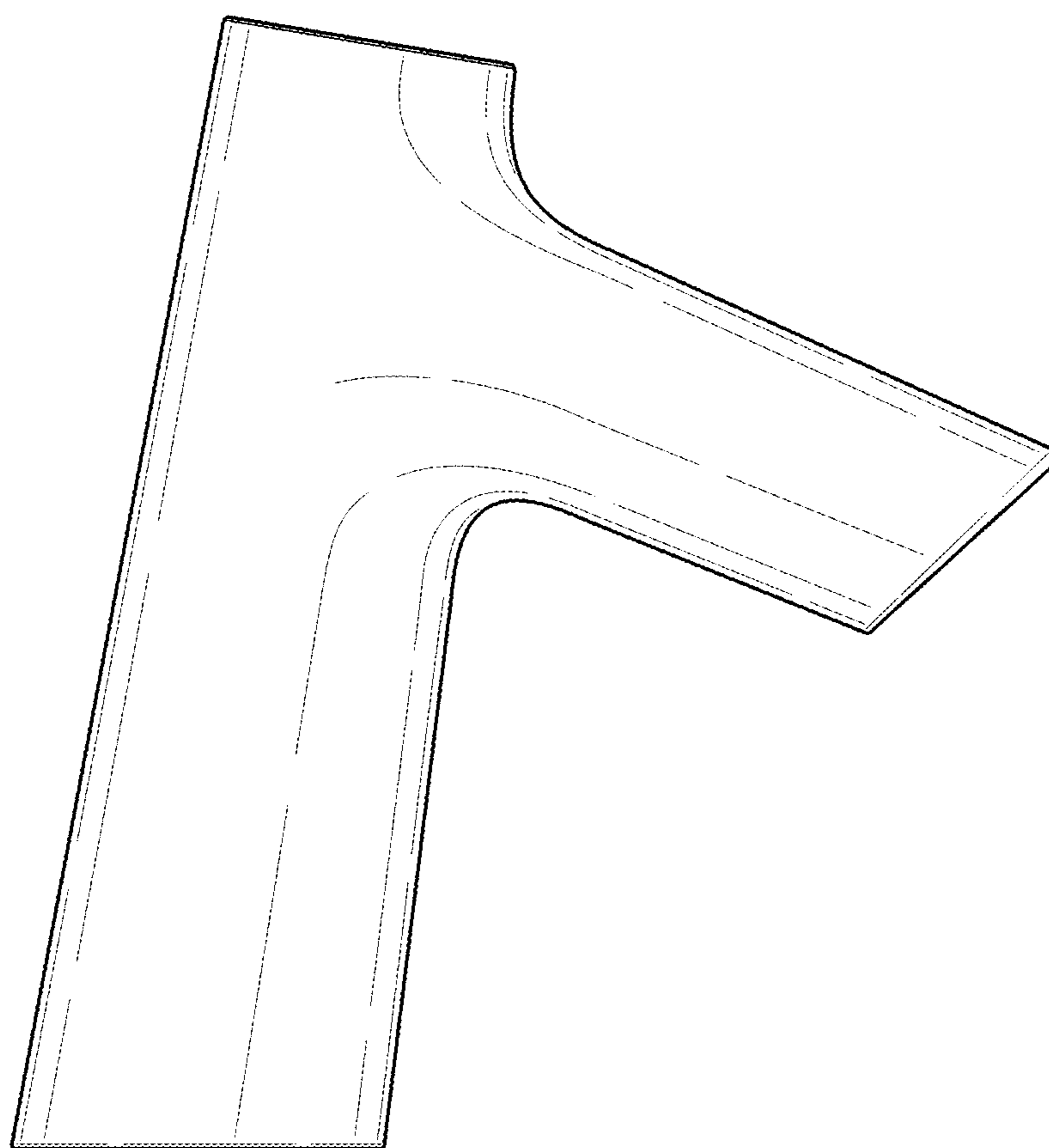


FIG. 6

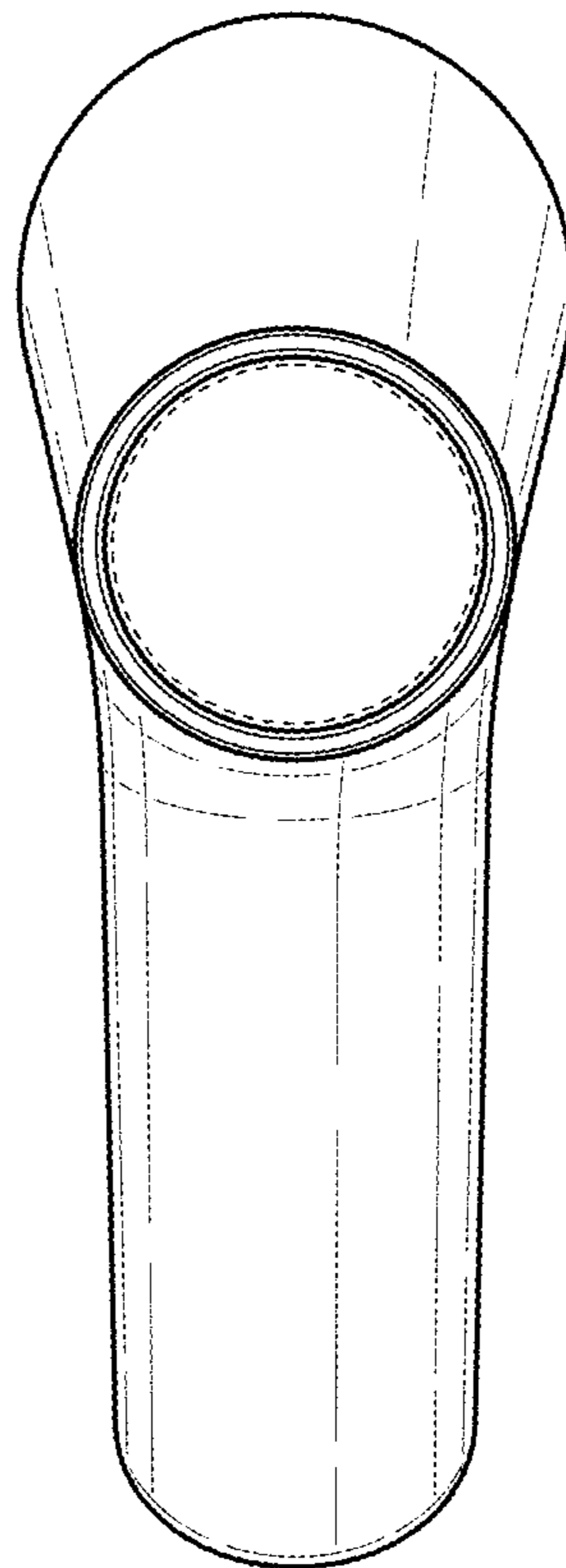


FIG. 7

