



US00D752183S

(12) **United States Design Patent**
Hsu

(10) **Patent No.:** **US D752,183 S**
(45) **Date of Patent:** **** Mar. 22, 2016**

(54) **VALVE CONTROLLER FOR AN OIL PRESSURE VALVE**

D521,598 S * 5/2006 Bates et al. D23/233
D521,599 S * 5/2006 Bates et al. D23/233
2009/0100955 A1 * 4/2009 Herrick et al. 74/491

(71) Applicant: **YUATSUSEIKI HYDRAULIC INDUSTRIAL CO., LTD.**, Taichung (TW)

* cited by examiner

(72) Inventor: **Hsiang-Jui Hsu**, Taichung (TW)

Primary Examiner — Cynthia Ramirez

Assistant Examiner — Gino Colan

(73) Assignee: **YUATSUSEIKI HYDRAULIC INDUSTRIAL CO., LTD.**, Taichung (TW)

(74) *Attorney, Agent, or Firm* — patenttm.us

(**) Term: **14 Years**

(57) **CLAIM**

The ornamental design for a valve controller for an oil pressure valve, as shown and described.

(21) Appl. No.: **29/525,933**

DESCRIPTION

(22) Filed: **May 5, 2015**

(51) **LOC (10) Cl.** **23-01**

(52) **U.S. Cl.**
USPC **D23/233**

(58) **Field of Classification Search**
USPC D23/233-249; 137/487.5, 12, 14, 554, 137/556, 553, 315.35, 636.2, 270; 251/129.12, 129.02, 129.03, 291, 292, 251/128, 129.11, 304, 129.13, 111, 93, 101, 251/97, 235; 74/491

CPC F16K 31/0675; F16K 31/00; F16K 31/12
See application file for complete search history.

FIG. 1 is a perspective view of a valve controller for an oil pressure valve, showing my new design; FIG. 2 is another perspective view thereof; FIG. 3 is a front view thereof; FIG. 4 is rear front view thereof; FIG. 5 is a left side view thereof; FIG. 6 is a right side view thereof; FIG. 7 is a top view thereof; FIG. 8 is a bottom view thereof; FIG. 9 is an operational perspective view thereof showing the valve controller for an oil pressure valve mounted on a single oil pressure valve assembly; FIG. 10 is another operational perspective view thereof showing the valve controller for an oil pressure valve mounted on a dual oil pressure valve assembly; and, FIG. 11 is still another operational perspective view thereof showing the valve controller for an oil pressure valve mounted on a triple oil pressure valve assembly.

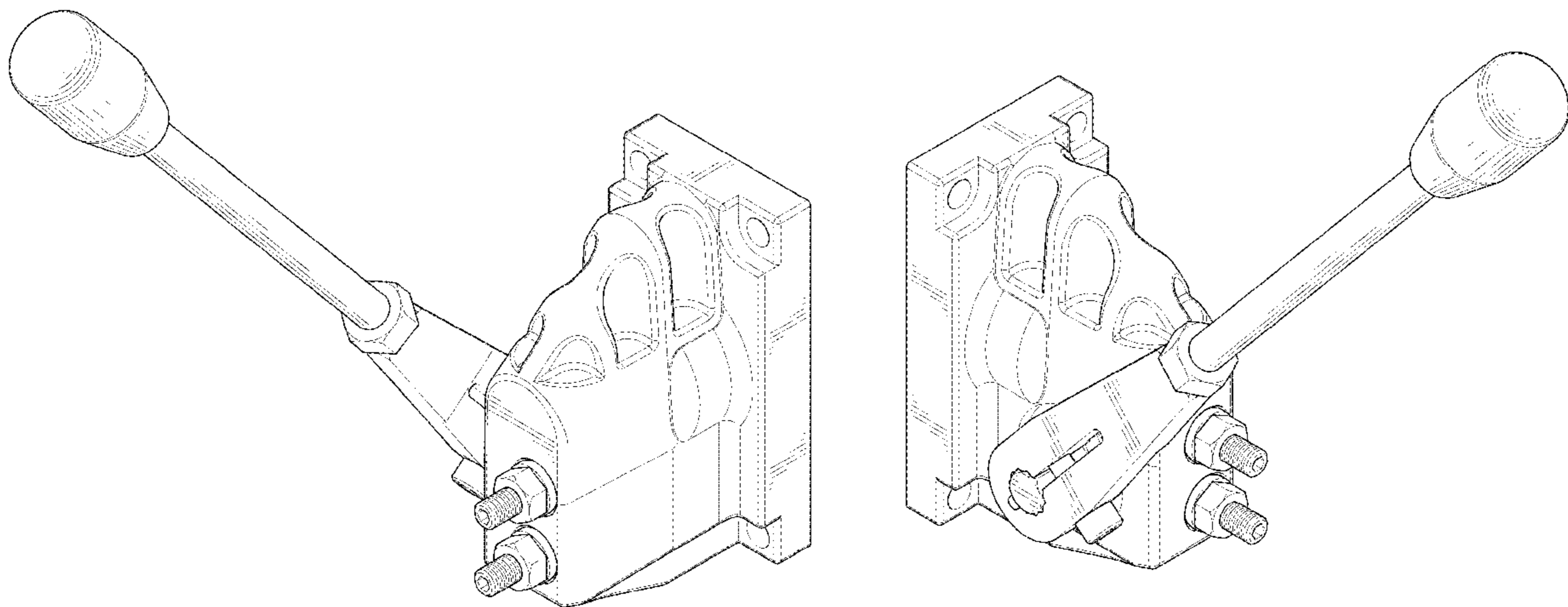
The broken lines in the drawings are included for the purpose of illustrating portions of the valve controller for an oil pressure valve and form no part of the claimed design.

(56) **References Cited**

U.S. PATENT DOCUMENTS

3,677,281 A * 7/1972 Tennis 137/270
3,831,633 A * 8/1974 Comer 137/636.2
3,943,791 A * 3/1976 Casey 137/636.2
4,028,958 A * 6/1977 Schuermann et al. 137/636.2
5,062,516 A * 11/1991 Prince 477/98

1 Claim, 11 Drawing Sheets



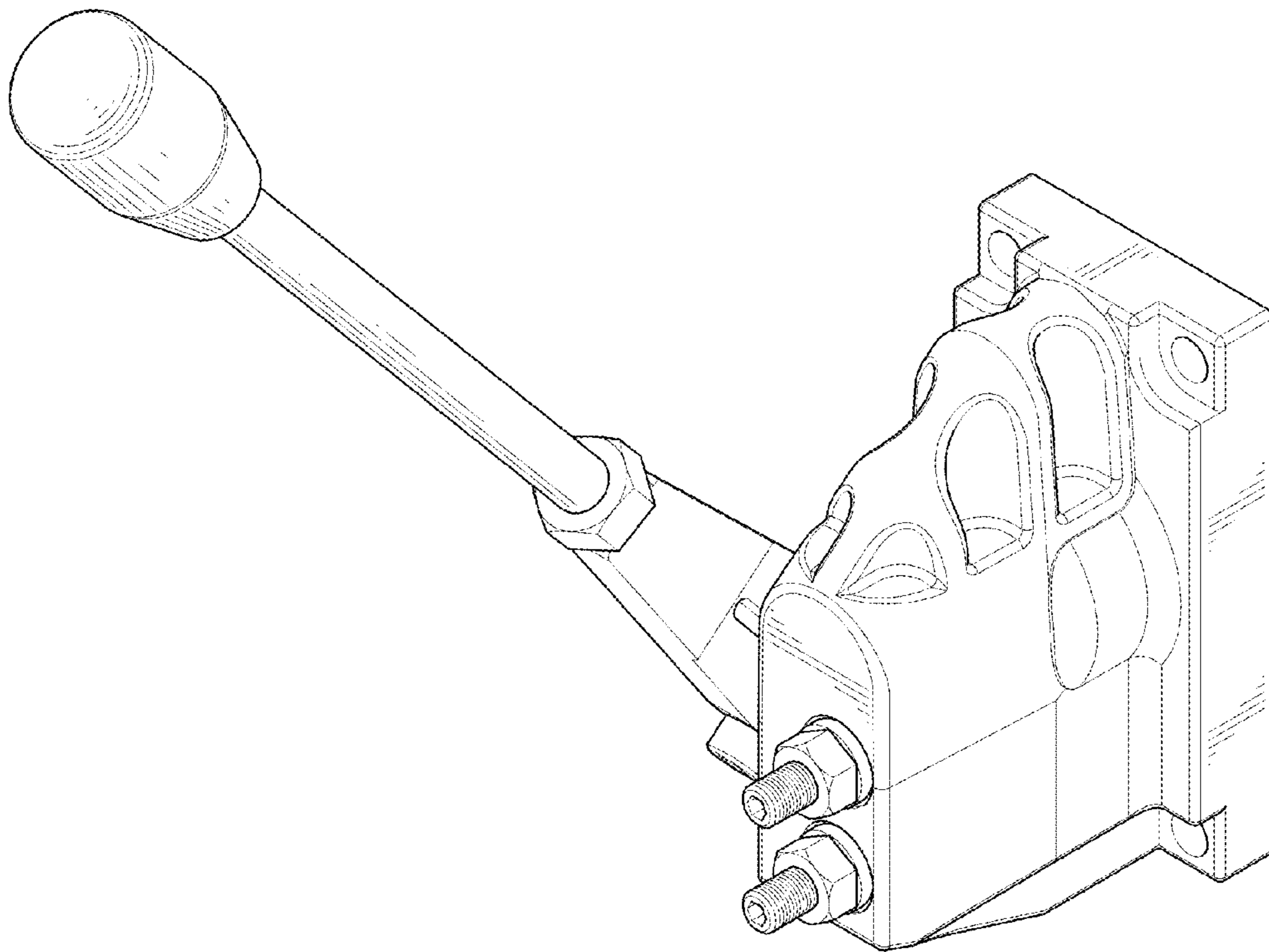


FIG.1

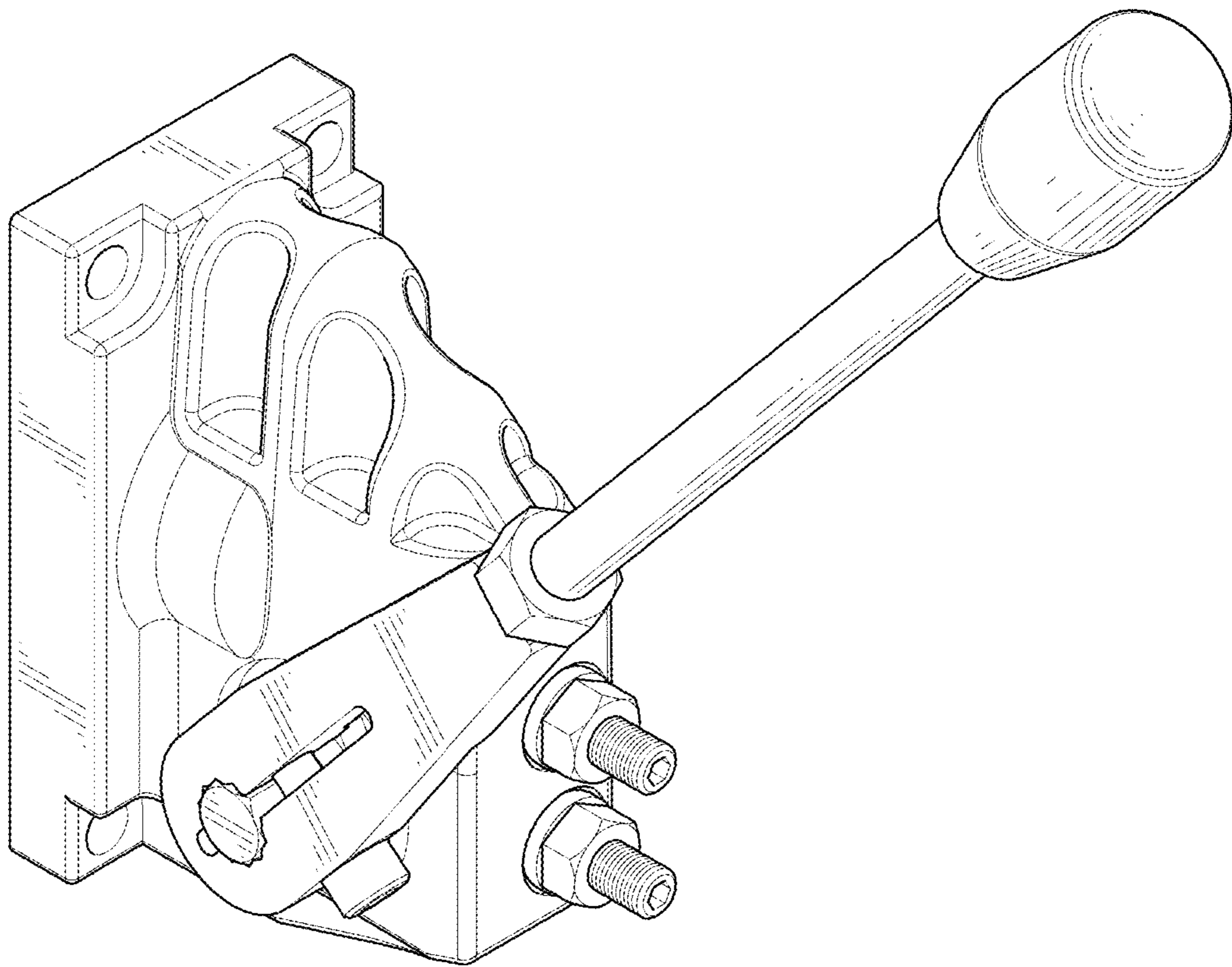


FIG.2

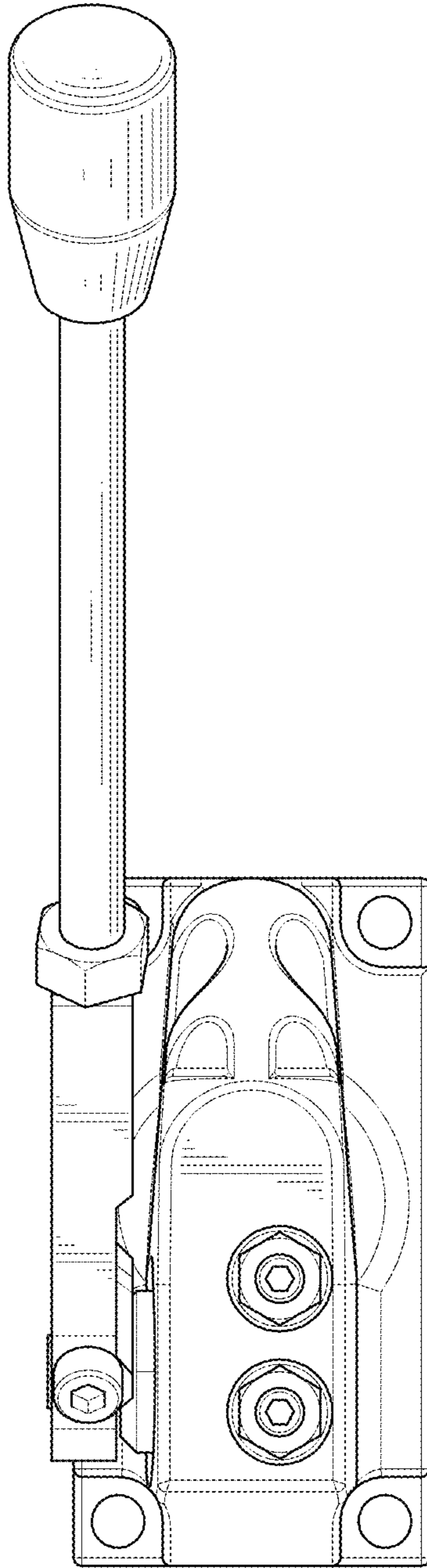


FIG.3

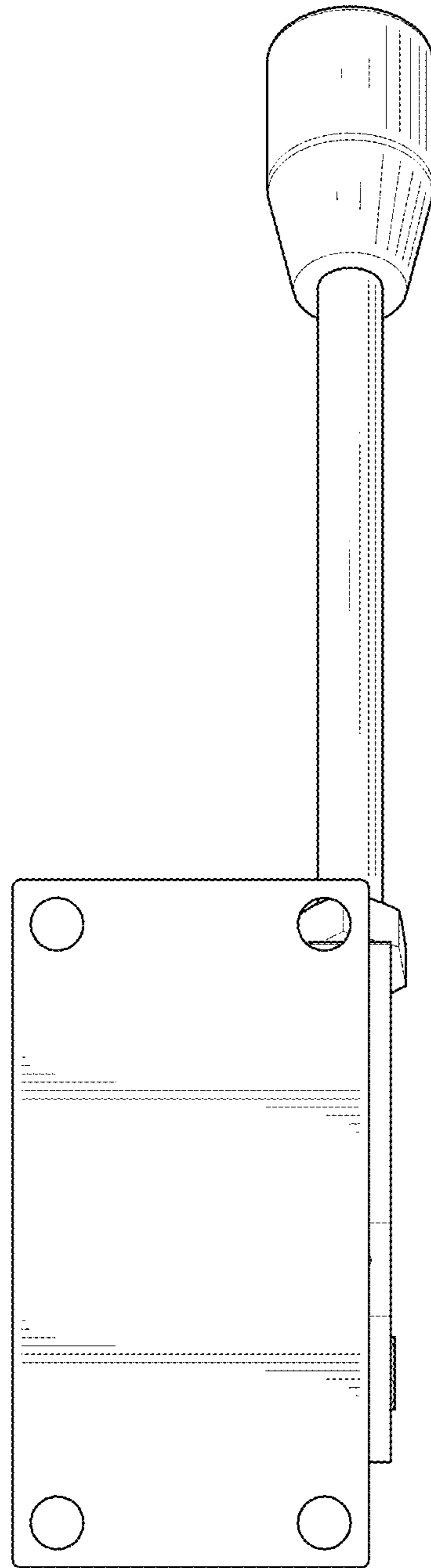


FIG.4

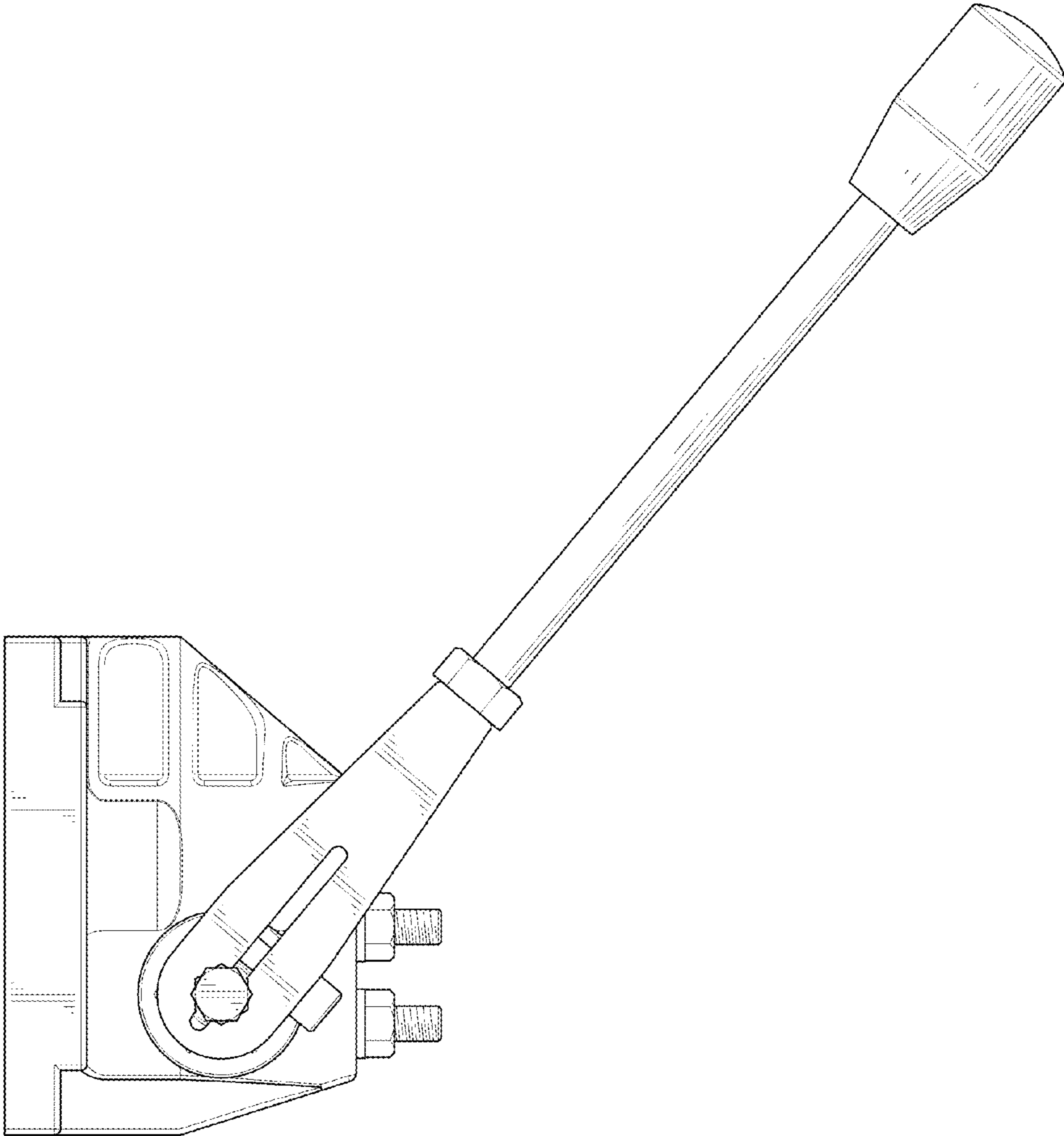


FIG.5

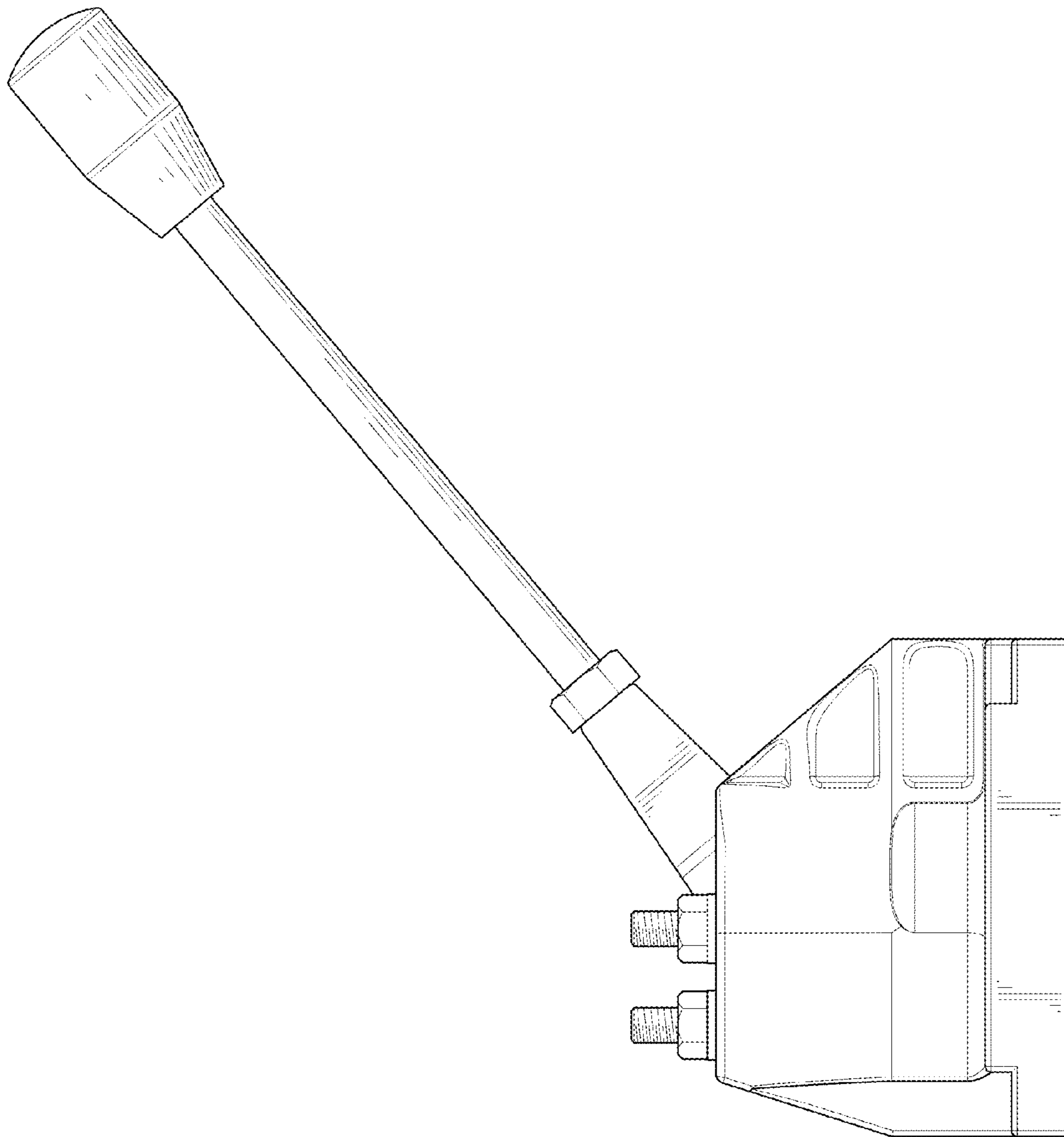


FIG.6

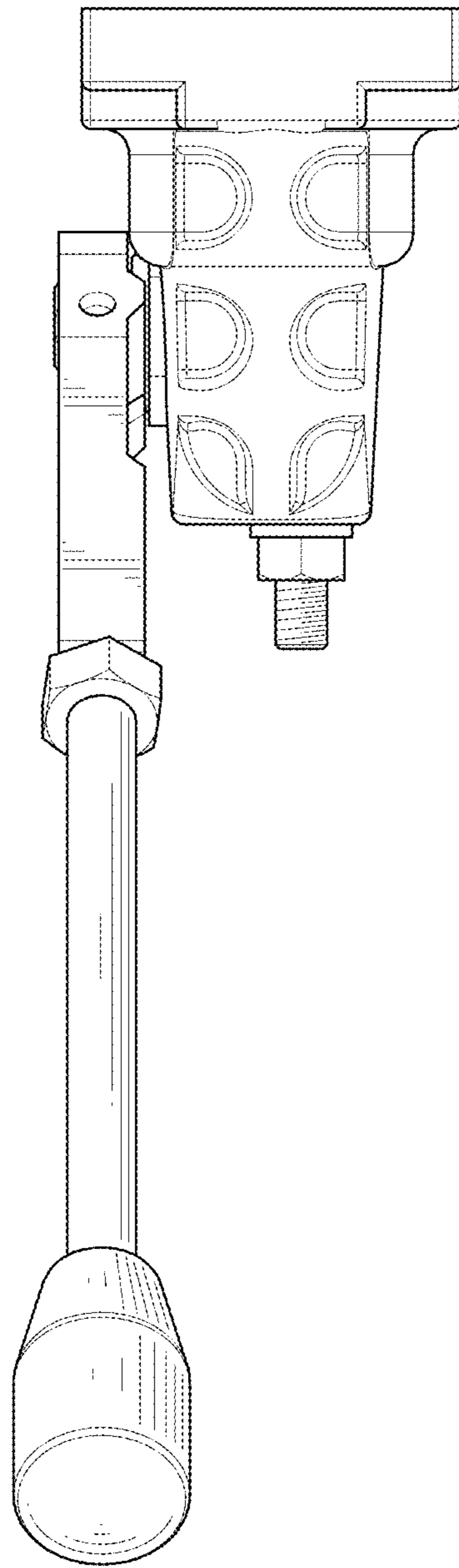


FIG.7

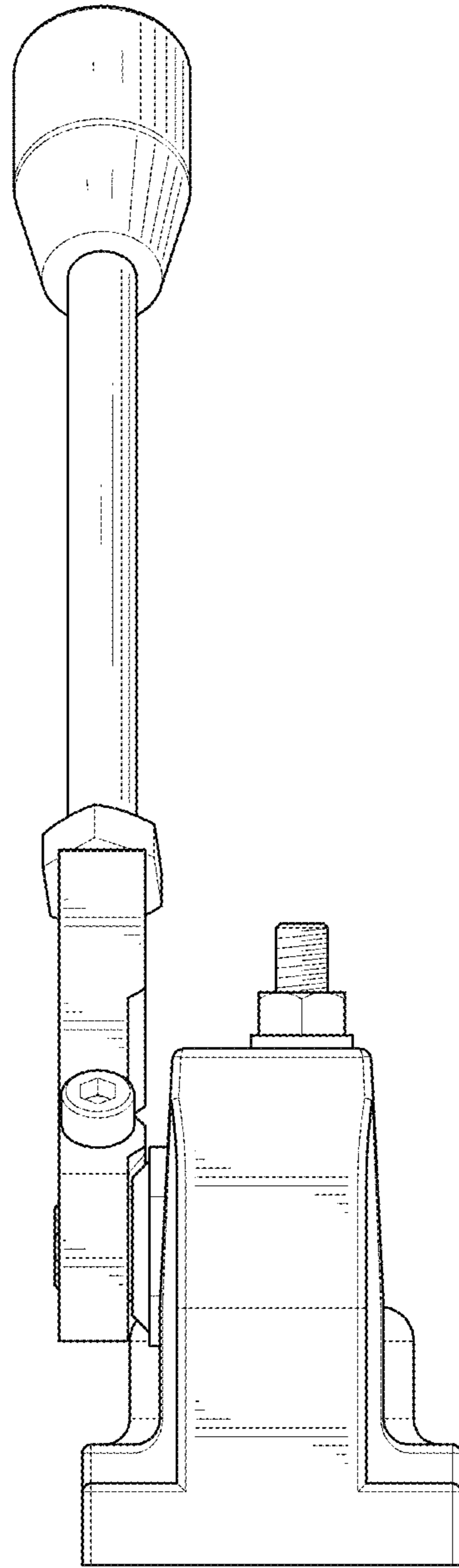


FIG.8

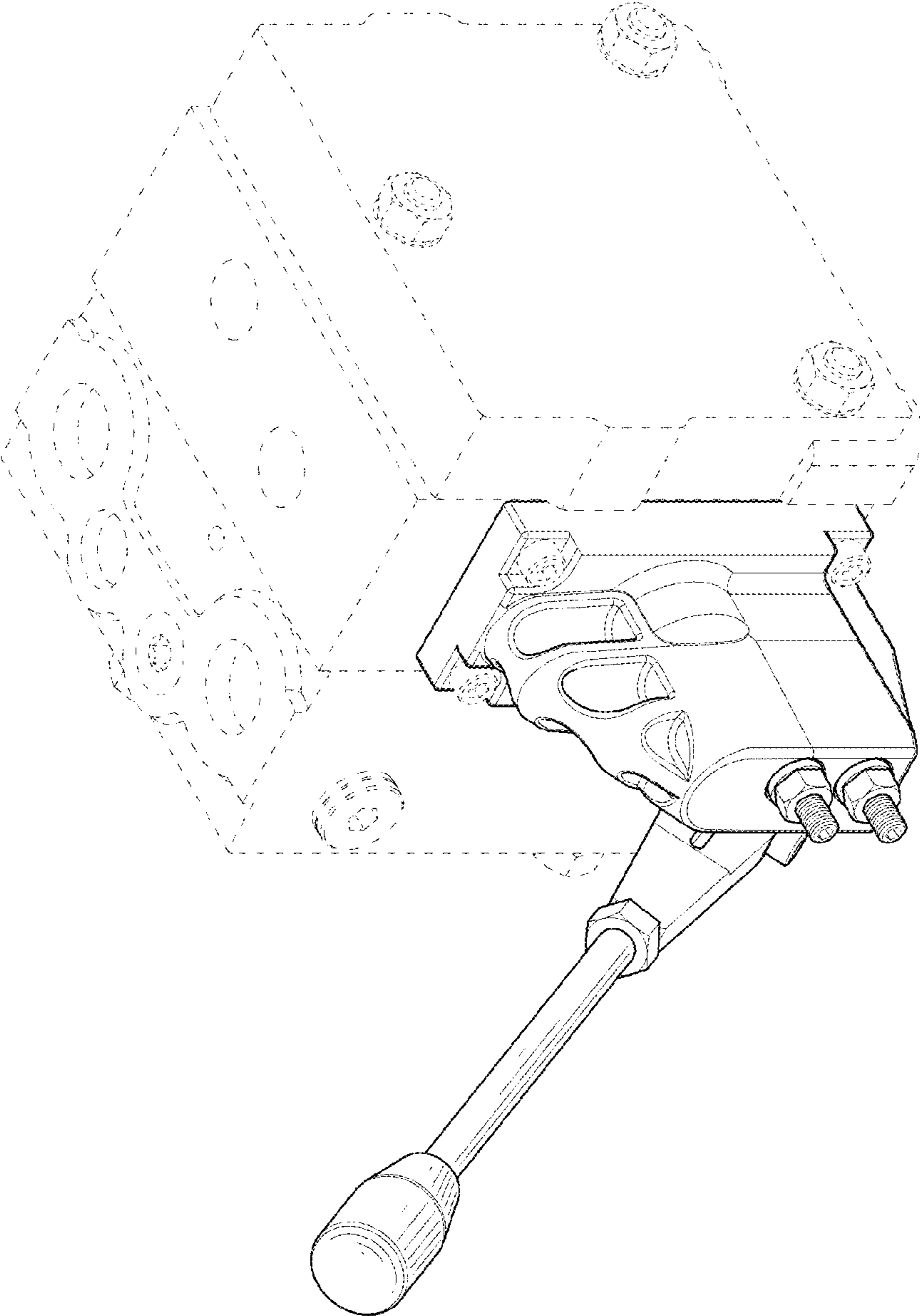


FIG.9

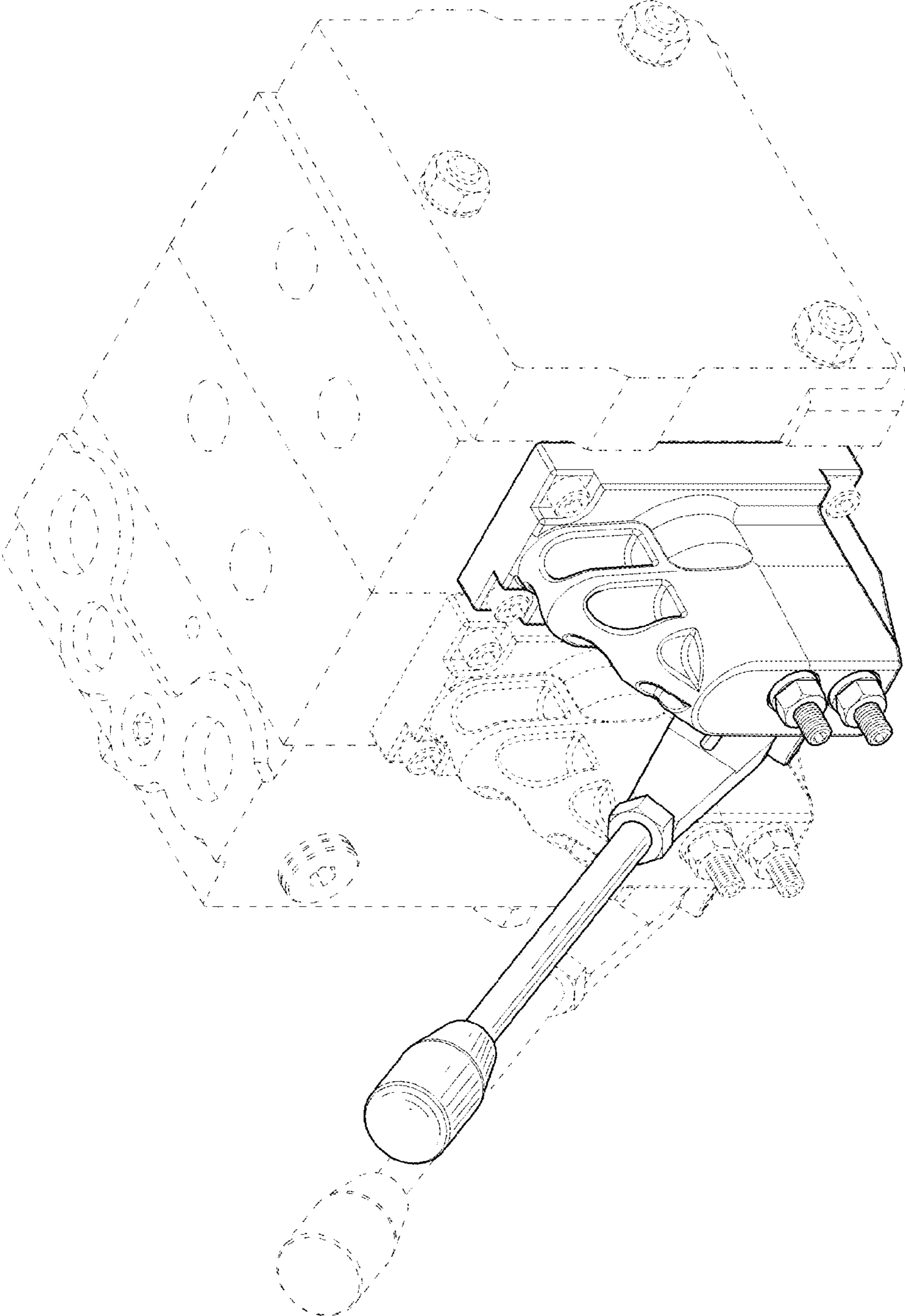


FIG.10

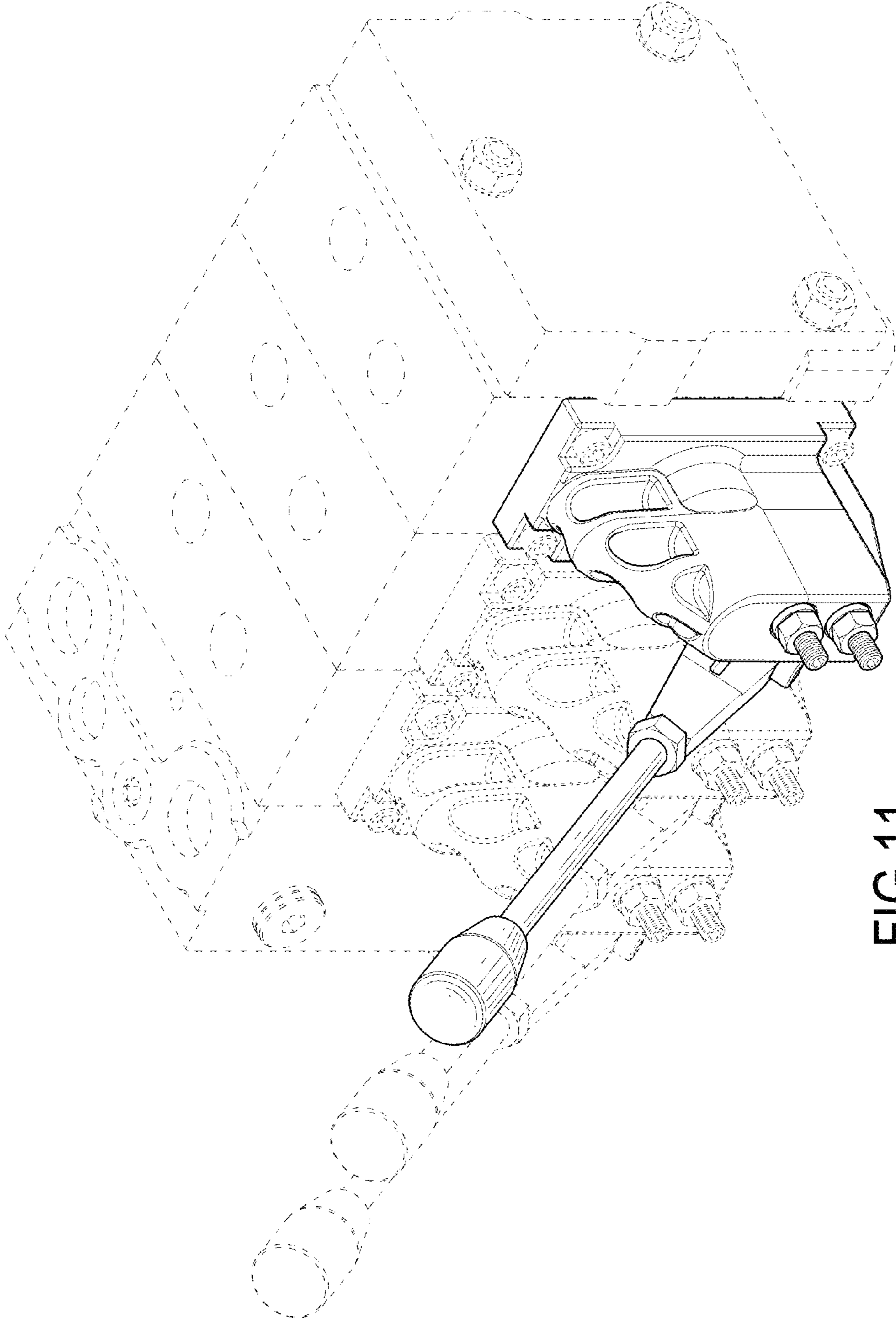


FIG.11