



US00D752182S

(12) **United States Design Patent**  
**Umeda et al.**

(10) **Patent No.:** **US D752,182 S**  
(45) **Date of Patent:** **\*\* Mar. 22, 2016**

(54) **TWO-PORT SOLENOID VALVE**

(71) Applicants: **Kazuhiro Umeda**, Tsukubamirai (JP);  
**Shinichi Yoshimura**, Tsukubamirai (JP)

(72) Inventors: **Kazuhiro Umeda**, Tsukubamirai (JP);  
**Shinichi Yoshimura**, Tsukubamirai (JP)

(73) Assignee: **SMC Corporation**, Chiyoda-ku, Tokyo  
(JP)

(\*\*) Term: **14 Years**

(21) Appl. No.: **29/513,928**

(22) Filed: **Jan. 7, 2015**

(30) **Foreign Application Priority Data**

Sep. 25, 2014 (JP) ..... 2014-021211

(51) **LOC (10) Cl.** ..... **23-01**

(52) **U.S. Cl.**  
USPC ..... **D23/233**

(58) **Field of Classification Search**  
USPC ..... D23/233-250; 251/129.15, 12, 129.04,  
251/130, 219, 331, 596.16, 597.13, 30.01;  
137/15.18, 487.5, 625.45, 13, 599.07,  
137/554, 560, 884  
CPC . F16K 31/0675; F16K 27/029; F16K 27/048;  
F16K 31/082

See application file for complete search history.

(56) **References Cited**

U.S. PATENT DOCUMENTS

D704,303	S	*	5/2014	Yoshimura	.....	D23/233
D721,787	S	*	1/2015	Yoshimura	.....	D23/233
2014/0197341	A1	*	7/2014	Yoshimura	.....	F16K 31/0658 251/129.15

\* cited by examiner

*Primary Examiner* — Cynthia Ramirez

*Assistant Examiner* — Gino Colan

(74) *Attorney, Agent, or Firm* — Yokoi & Co., U.S.A.;  
Toshiyuki Yokoi

(57) **CLAIM**

The ornamental design for a two-port solenoid valve, as shown and described.

**DESCRIPTION**

FIG. 1 shows a front view of a two-part solenoid valve showing our new design;

FIG. 2 shows a rear view thereof

FIG. 3 shows a right side view thereof;

FIG. 4 shows a left side view thereof

FIG. 5 shows a top view thereof;

FIG. 6 shows a bottom view thereof;

FIG. 7 shows a top, front and right side perspective view thereof; and,

FIG. 8 shows a bottom, rear and left side perspective view thereof.

The portions of the design shown in broken lines in FIGS. 1-8 are for the purpose of illustrating the environment only and form no part of the claimed design.

**1 Claim, 7 Drawing Sheets**

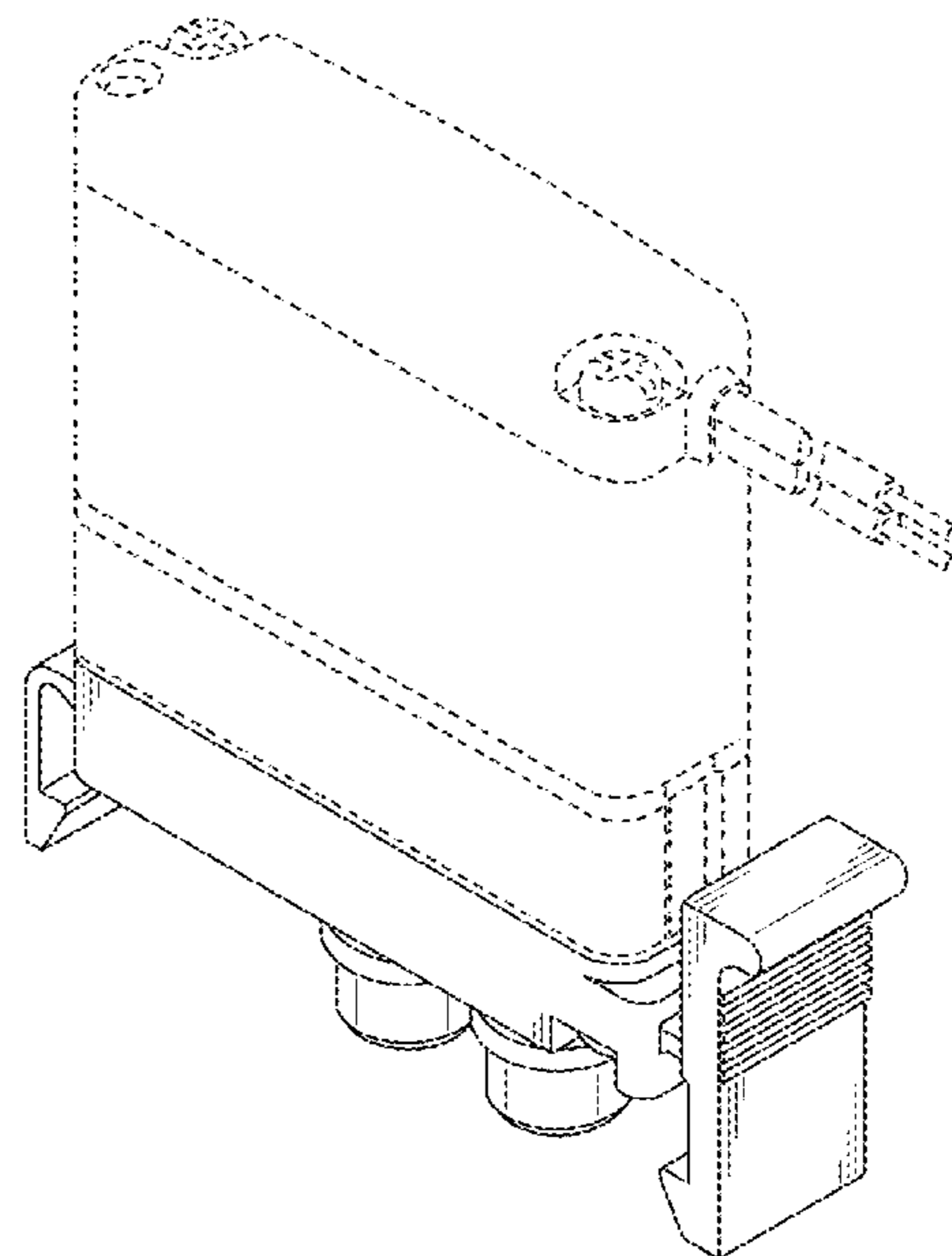
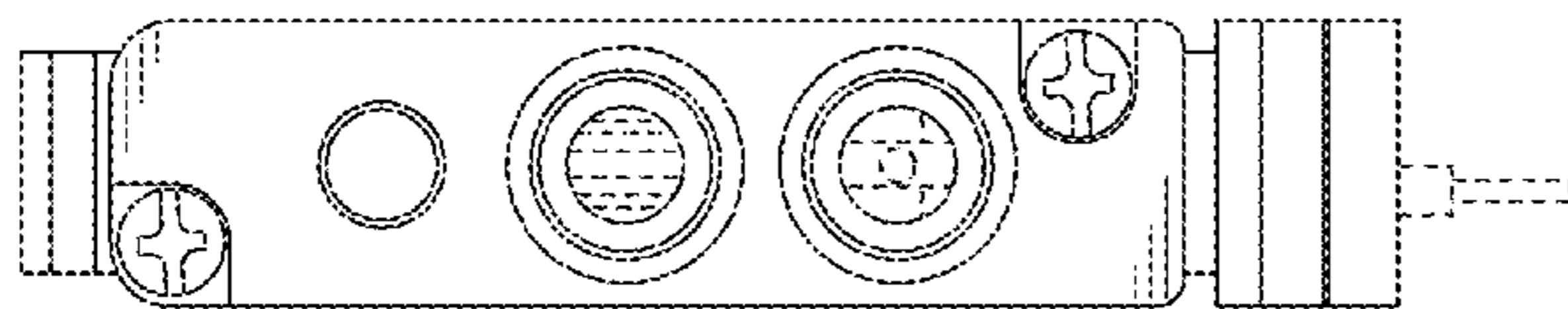


FIG. 1

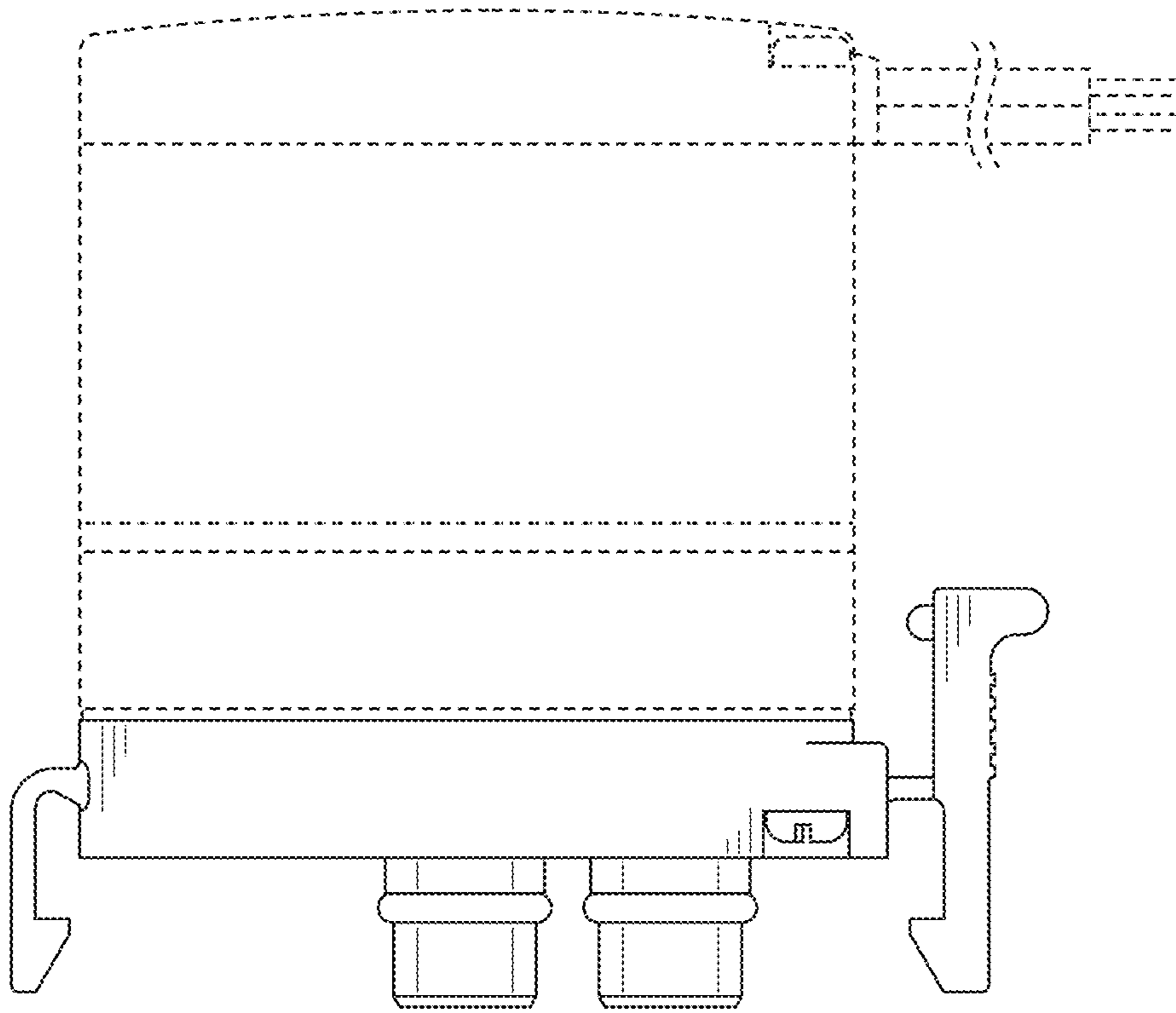


FIG. 2

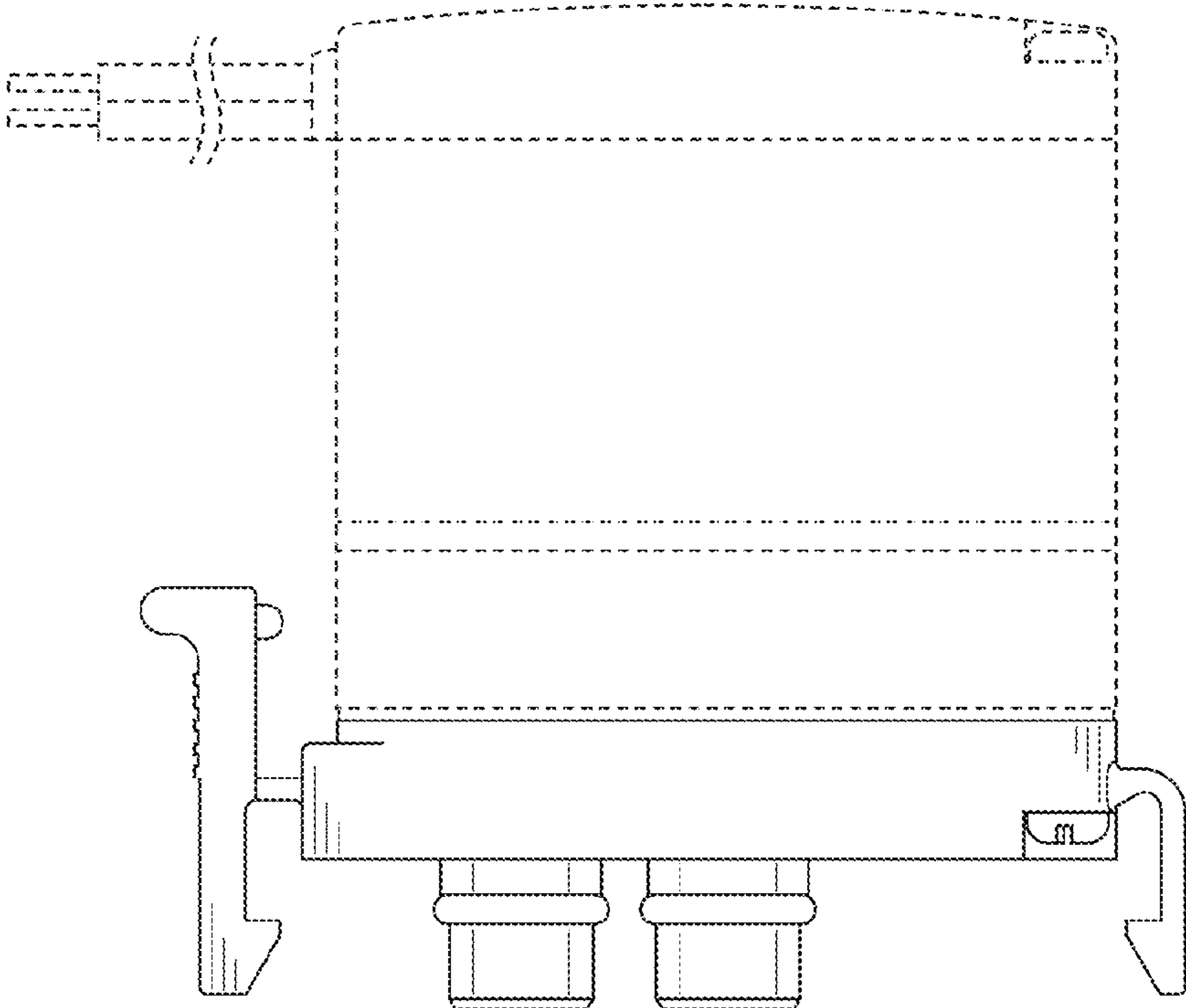


FIG. 3

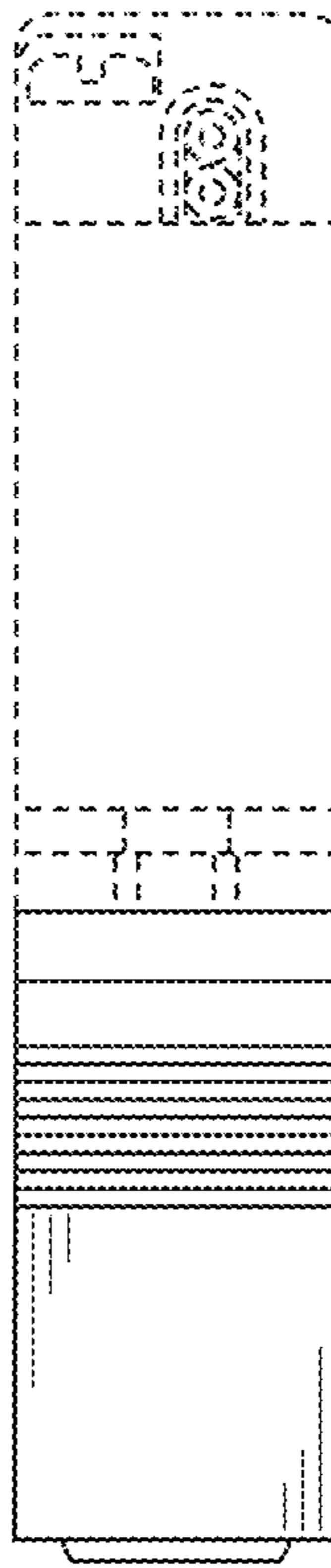


FIG. 4

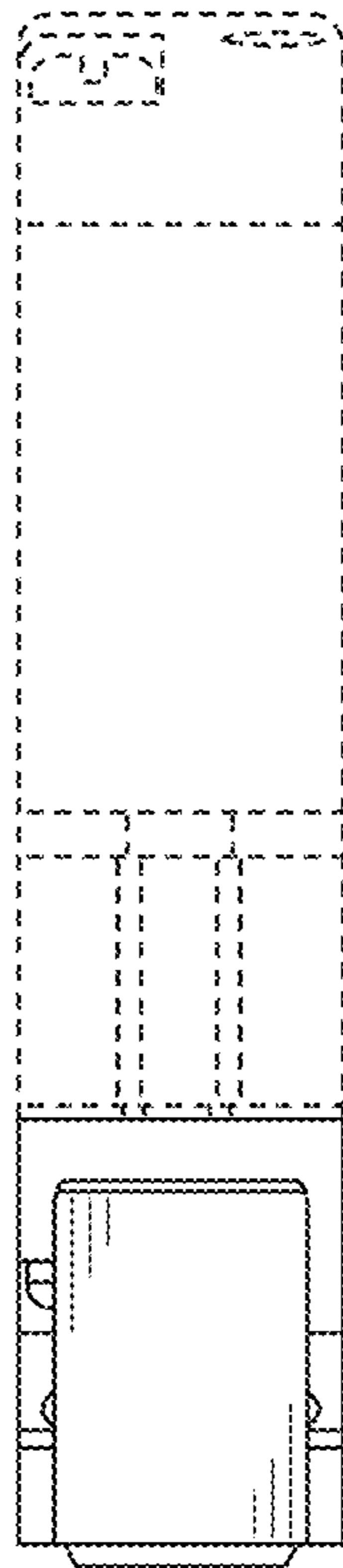


FIG. 5



FIG. 6

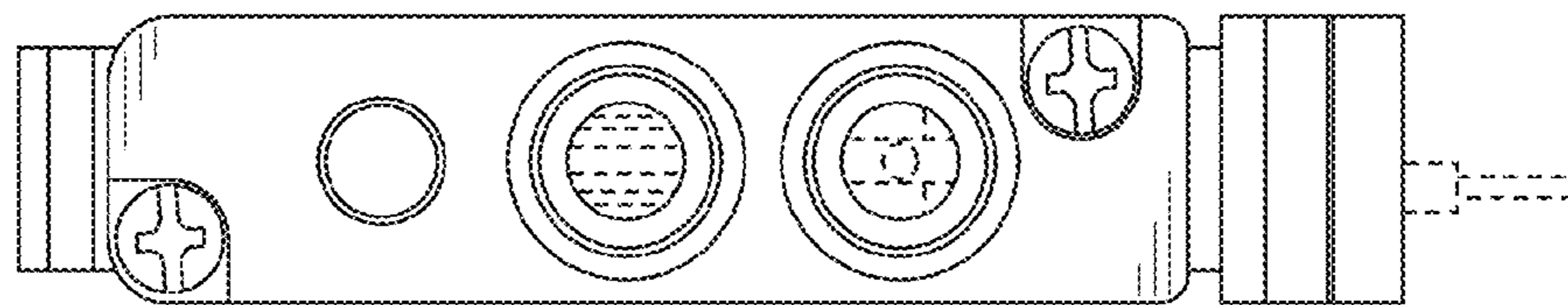


FIG. 7

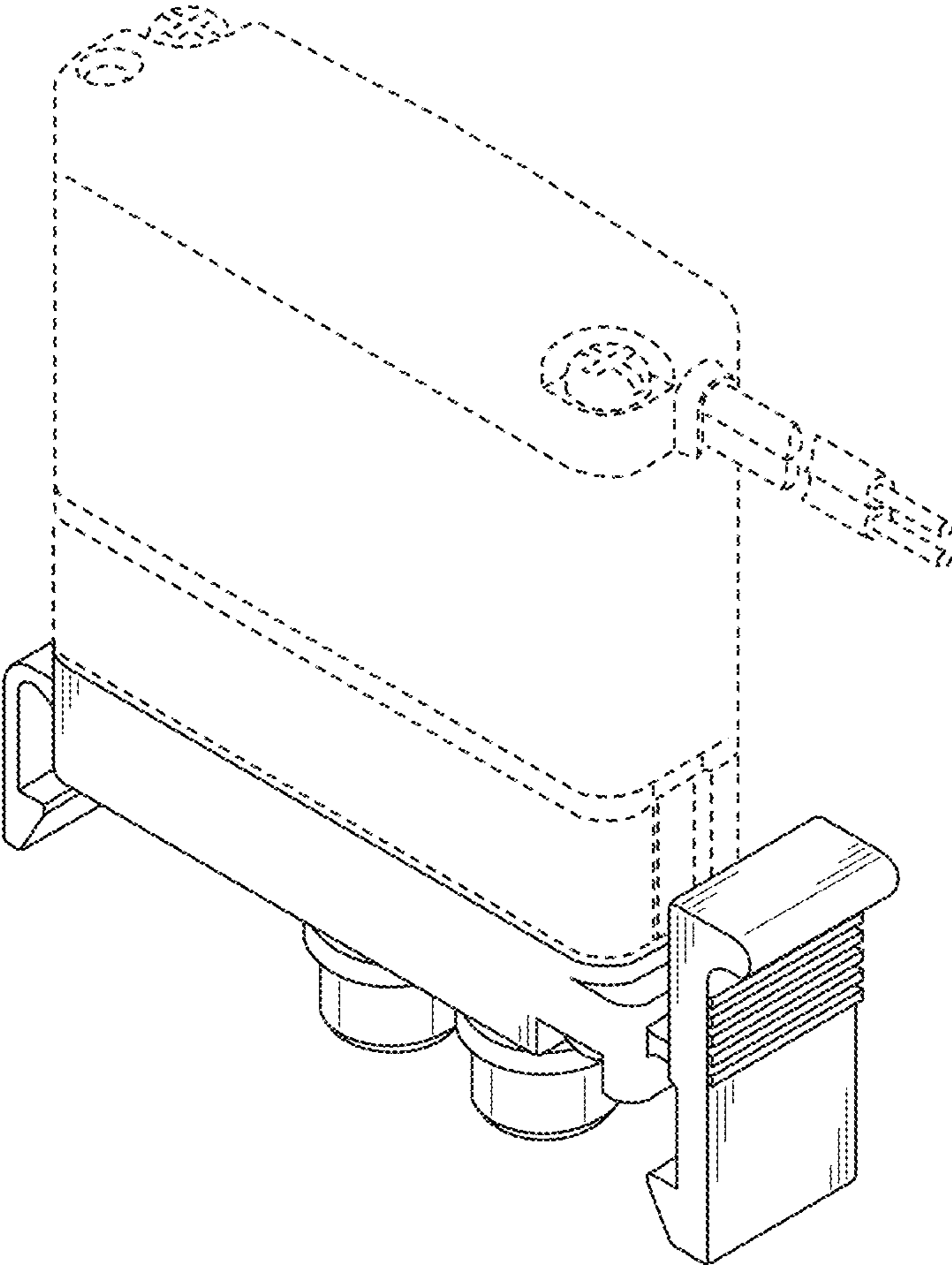


FIG. 8

