



US00D752181S

(12) **United States Design Patent**
Matsumura

(10) **Patent No.:** **US D752,181 S**
(45) **Date of Patent:** **** Mar. 22, 2016**

(54) **ELECTROMAGNETIC VALVE**

(71) Applicant: **SMC CORPORATION**, Chiyoda-ku
(JP)

(72) Inventor: **Kenichi Matsumura**, Kashiwa (JP)

(73) Assignee: **SMC CORPORATION**, Chiyoda-ku
(JP)

(**) Term: **14 Years**

(21) Appl. No.: **29/513,609**

(22) Filed: **Jan. 2, 2015**

(30) **Foreign Application Priority Data**

Jul. 3, 2014 (JP) 2014-014631

(51) **LOC (10) Cl.** **23-01**

(52) **U.S. Cl.**
USPC **D23/233**

(58) **Field of Classification Search**

USPC D23/233-250; 137/625.64, 554, 487.5,
137/599, 557, 560, 882, 884, 343, 269,
137/599.07; 251/129.15, 129.01

CPC ... F16K 31/0675; F16K 27/029; F16K 31/02;
F16K 31/082; F16K 27/048; F16K 11/24

See application file for complete search history.

(56) **References Cited**

U.S. PATENT DOCUMENTS

D416,309 S * 11/1999 Hayashi D23/233
D459,441 S * 6/2002 Hayashi D23/233

D544,578 S * 6/2007 Matsumoto D23/233
D544,581 S * 6/2007 Matsumoto D23/233
D546,420 S * 7/2007 Matsumoto D23/233
D563,509 S * 3/2008 Kato D23/233
D563,522 S * 3/2008 Miyazoe D23/233
D720,046 S * 12/2014 Morodomi D23/233
D723,064 S * 2/2015 Eisele D15/7
D736,895 S * 8/2015 Morodomi D23/233

* cited by examiner

Primary Examiner — Cynthia Ramirez

Assistant Examiner — Gino Colan

(74) *Attorney, Agent, or Firm* — Oblon, McClelland, Maier
& Neustadt, L.L.P.

(57) **CLAIM**

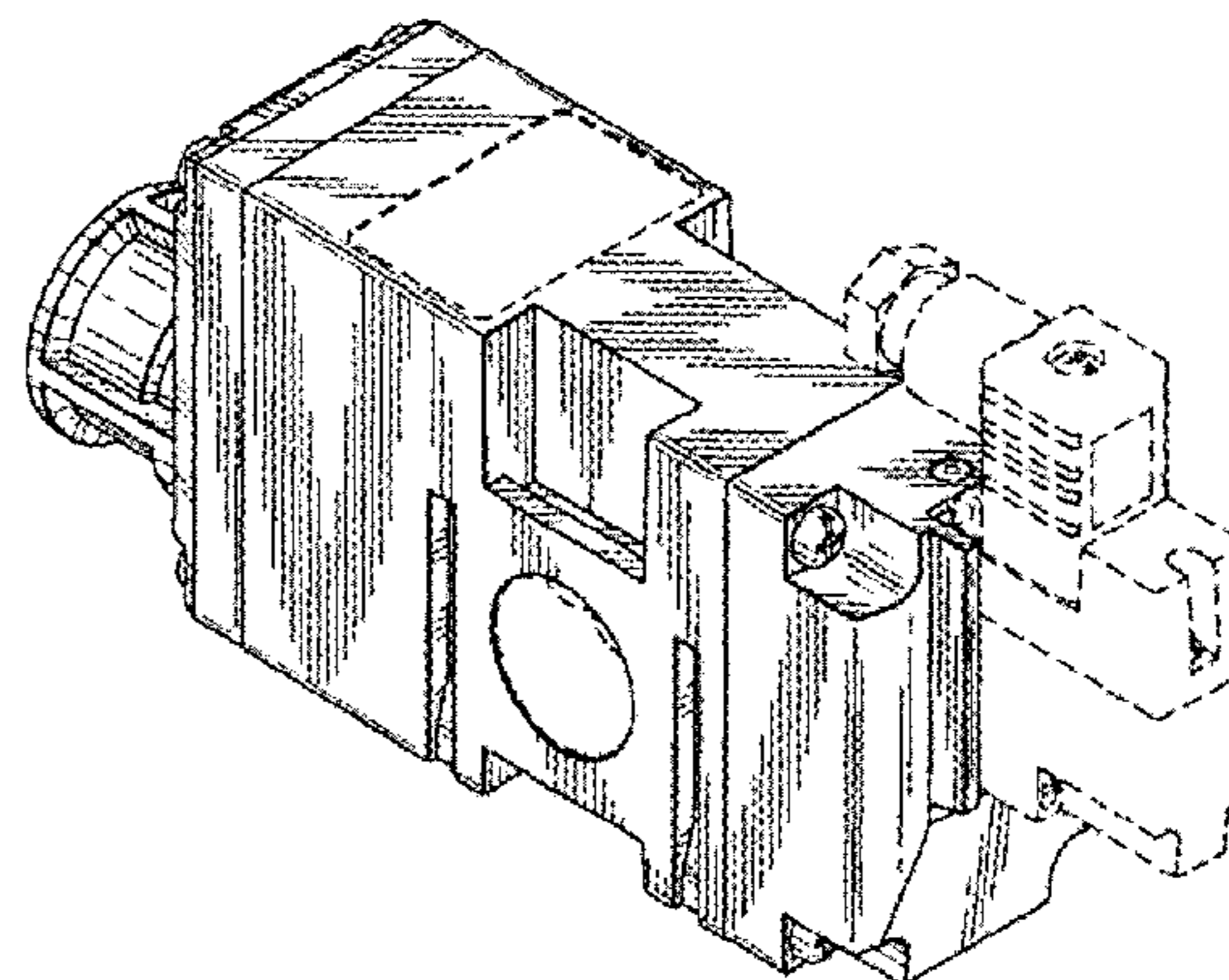
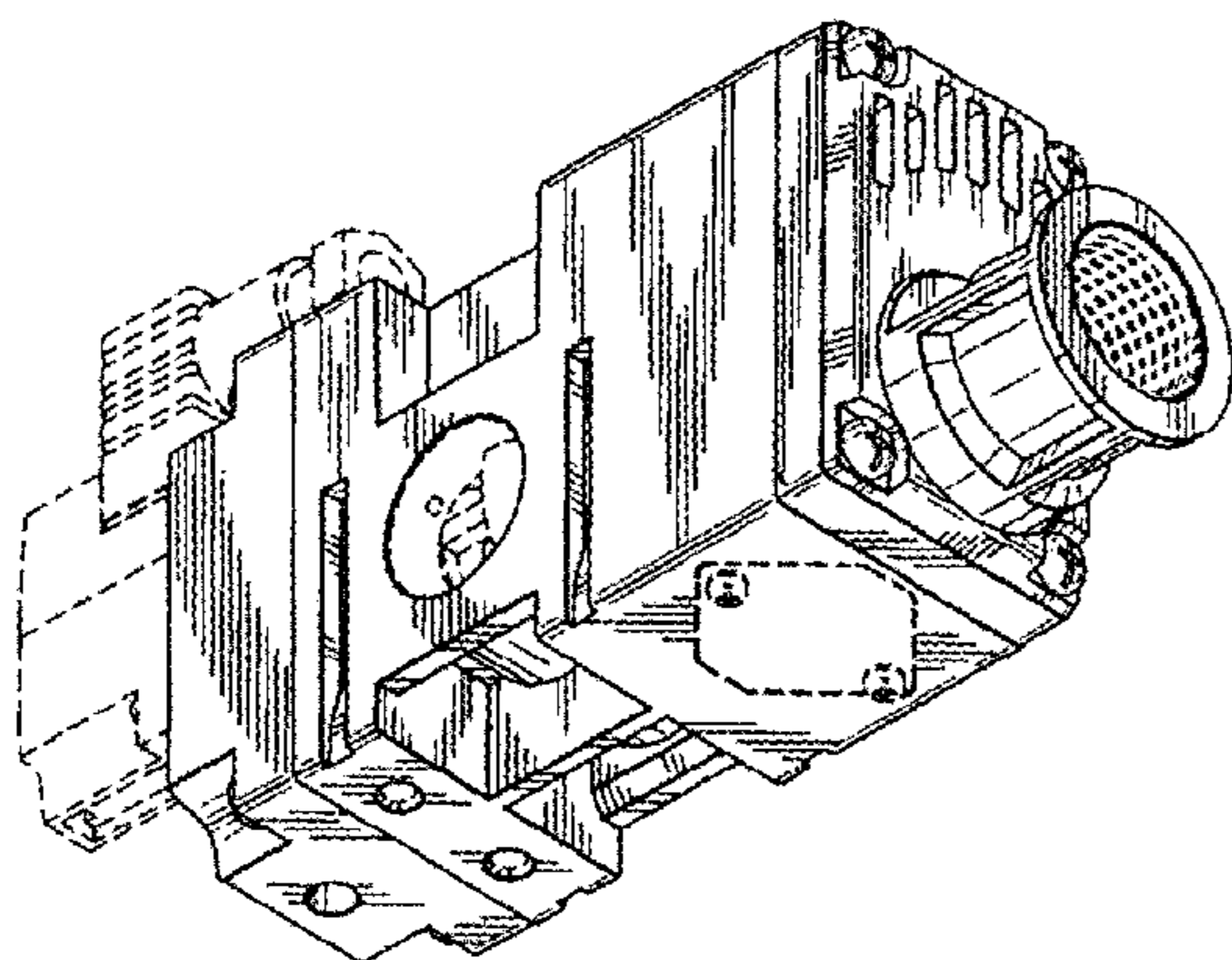
The ornamental design for an electromagnetic valve, as shown and described.

DESCRIPTION

FIG. 1 is a front elevational view of an electromagnetic valve showing my new design; FIG. 2 is a rear elevational view thereof; FIG. 3 is a top plan view thereof; FIG. 4 is a bottom plan view thereof; FIG. 5 is a left elevational view thereof; FIG. 6 is a right elevational view thereof; FIG. 7 is a perspective view thereof; and, FIG. 8 is another perspective view thereof.

The broken lines in the figures are included for the purpose of illustrating portions of the electromagnetic valve and form no part of the claimed design.

1 Claim, 8 Drawing Sheets



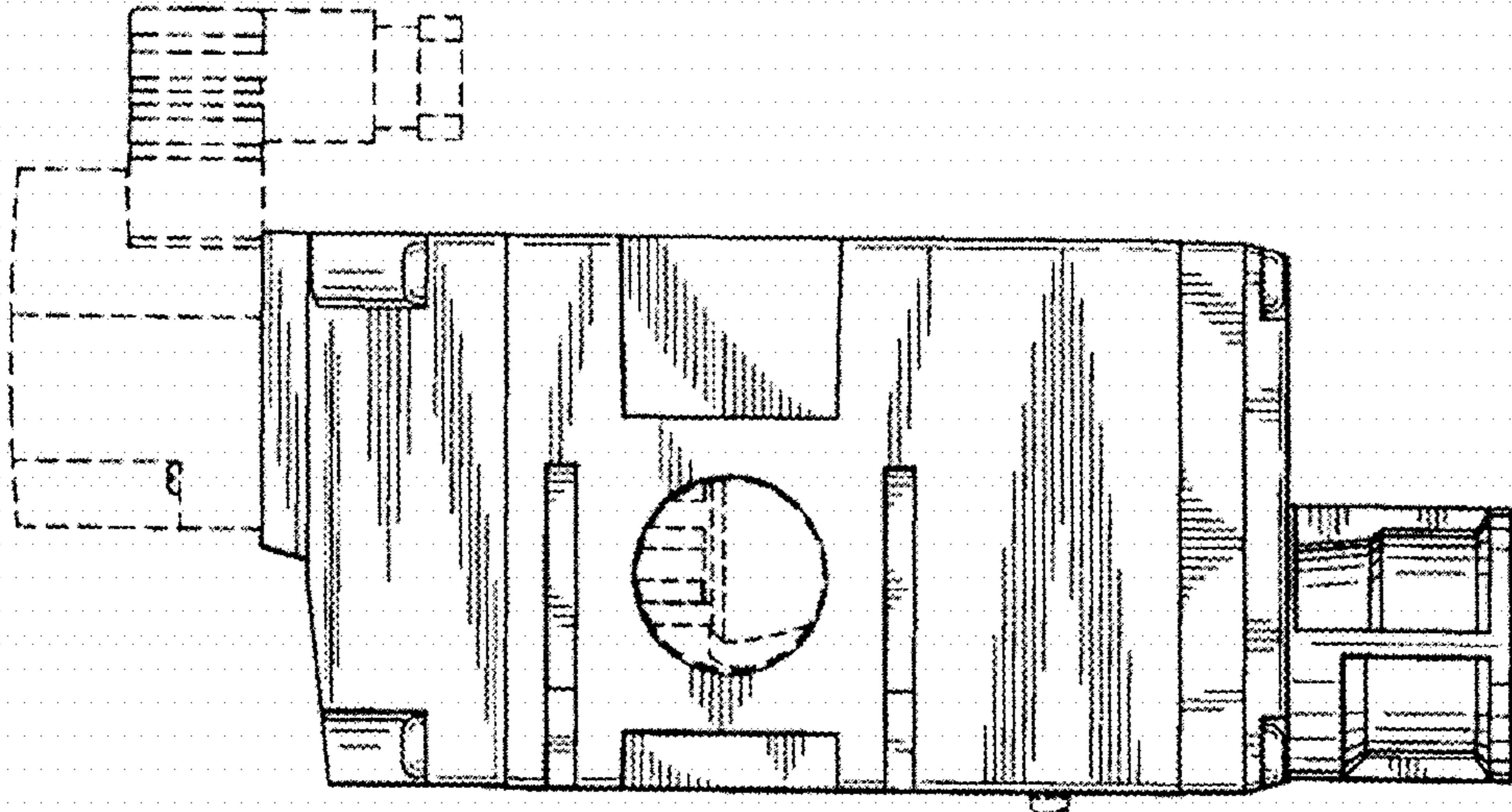


Fig. 1

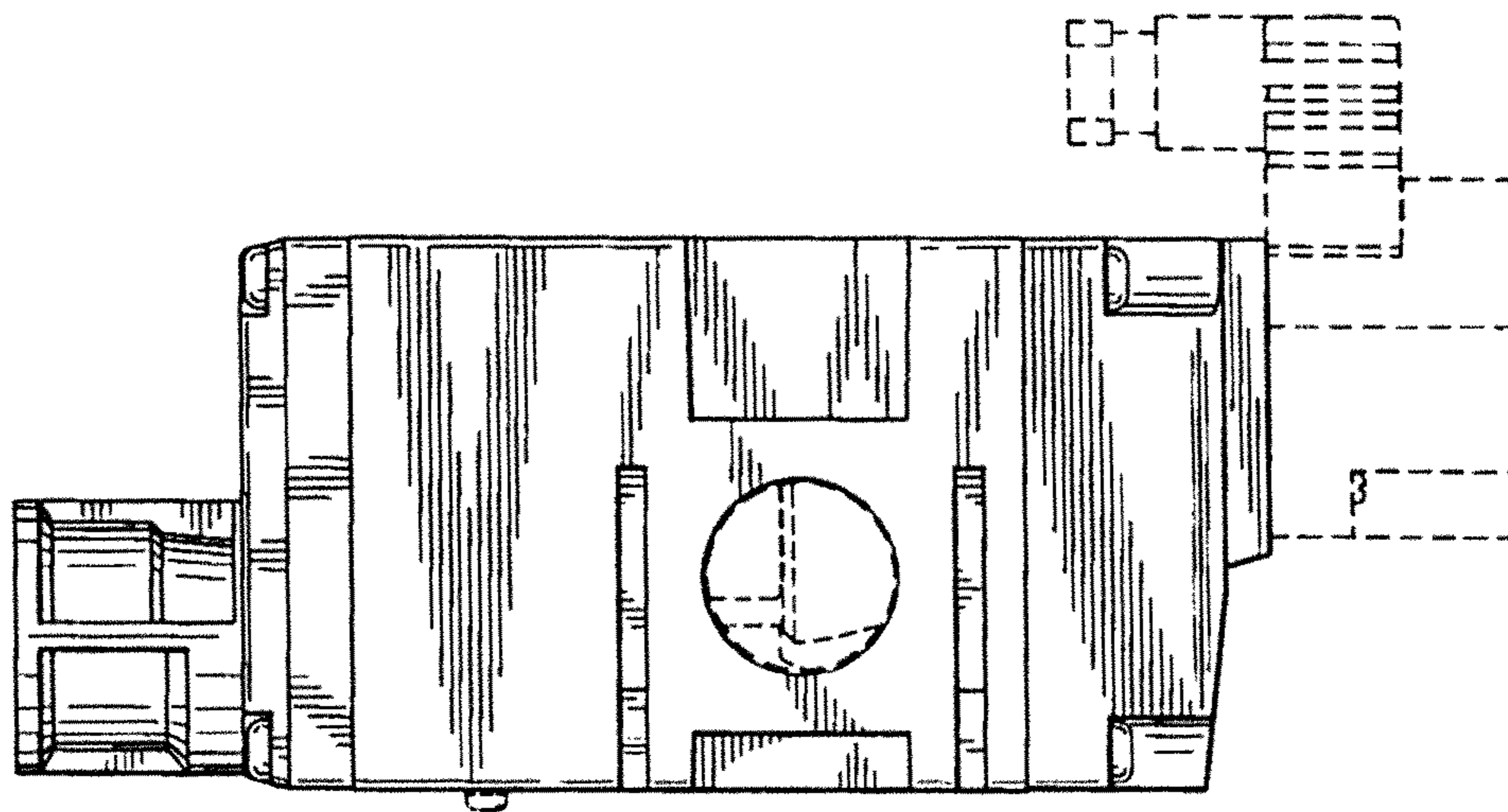


Fig. 2

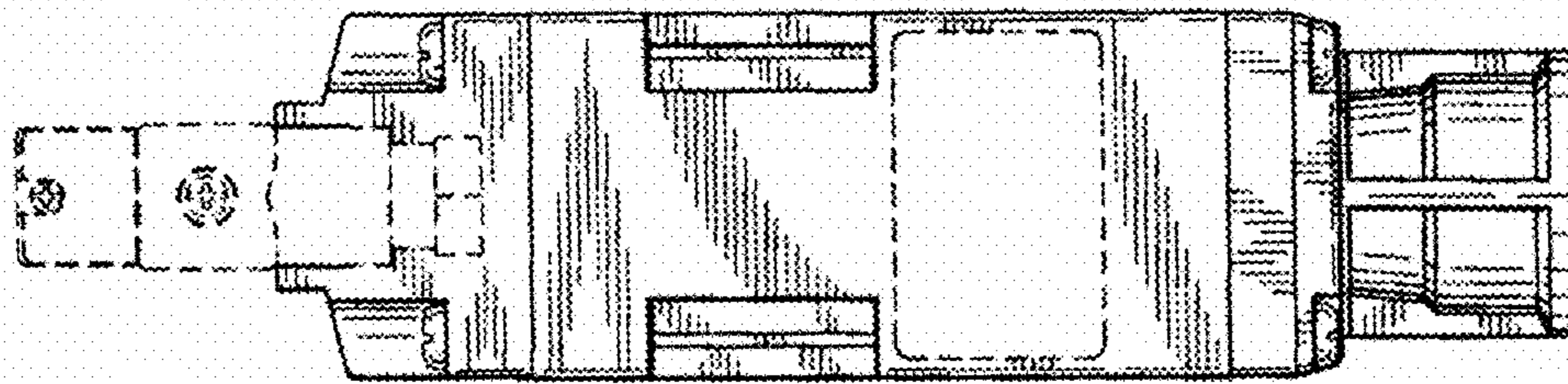


Fig. 3

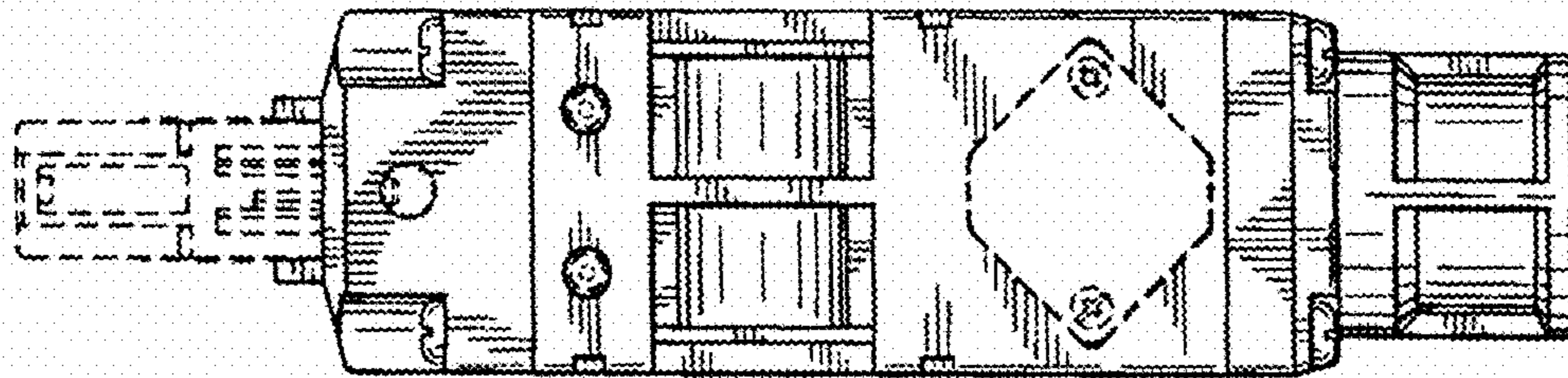


Fig. 4

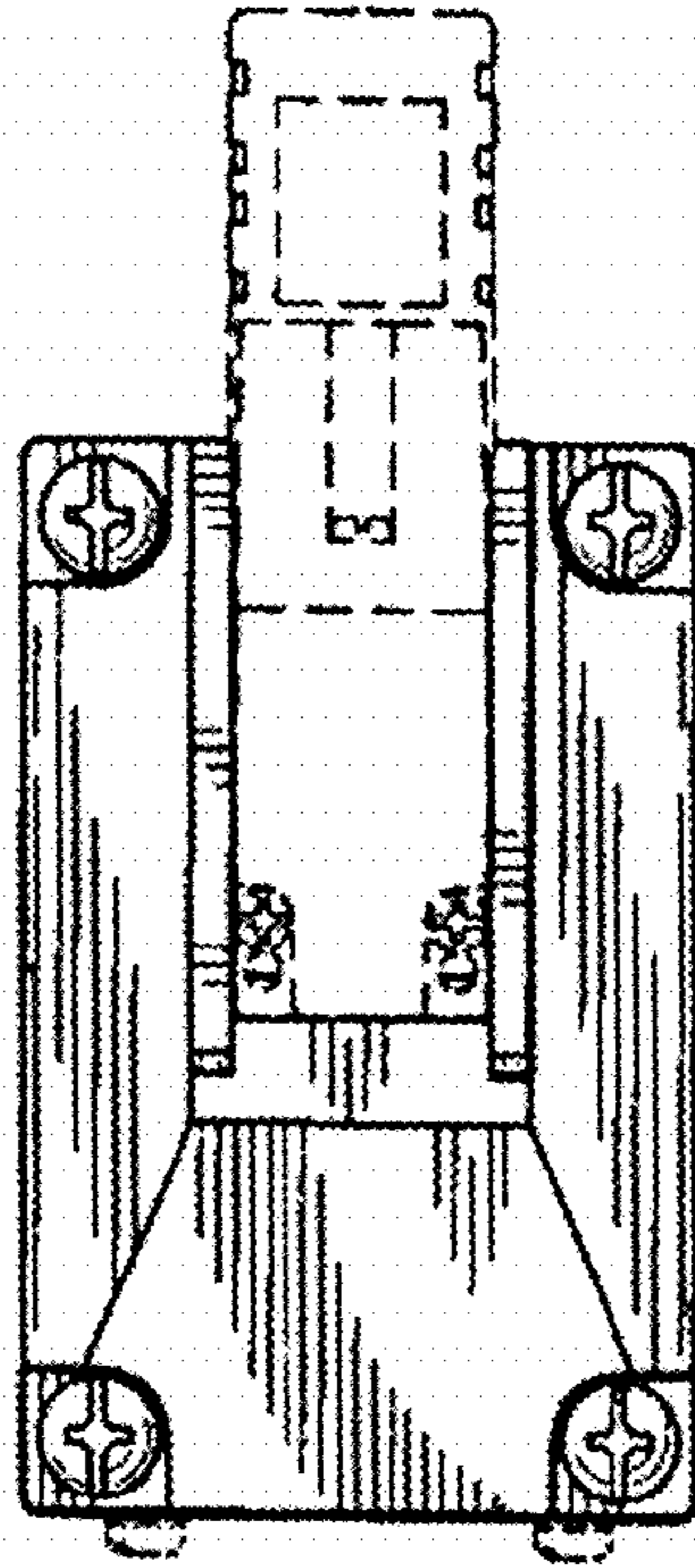


Fig. 5

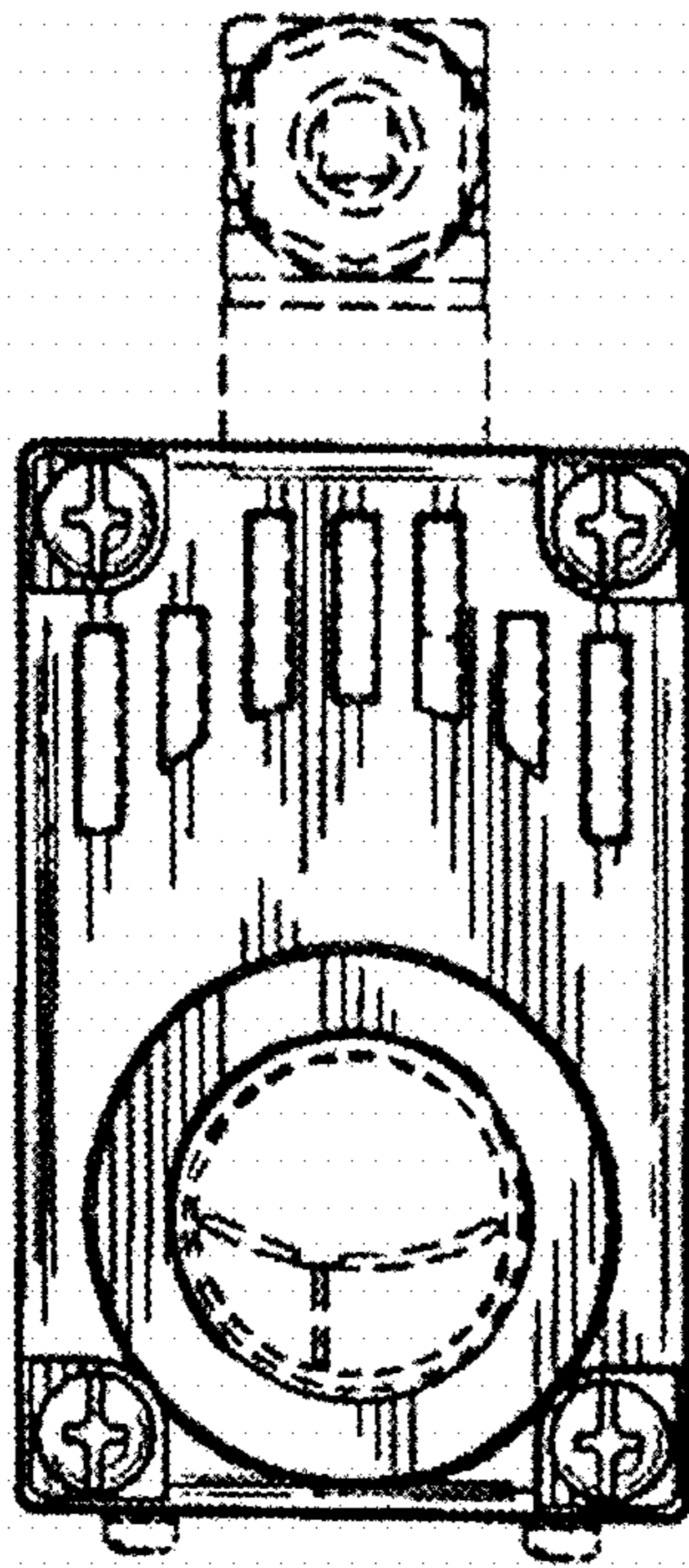


Fig. 6

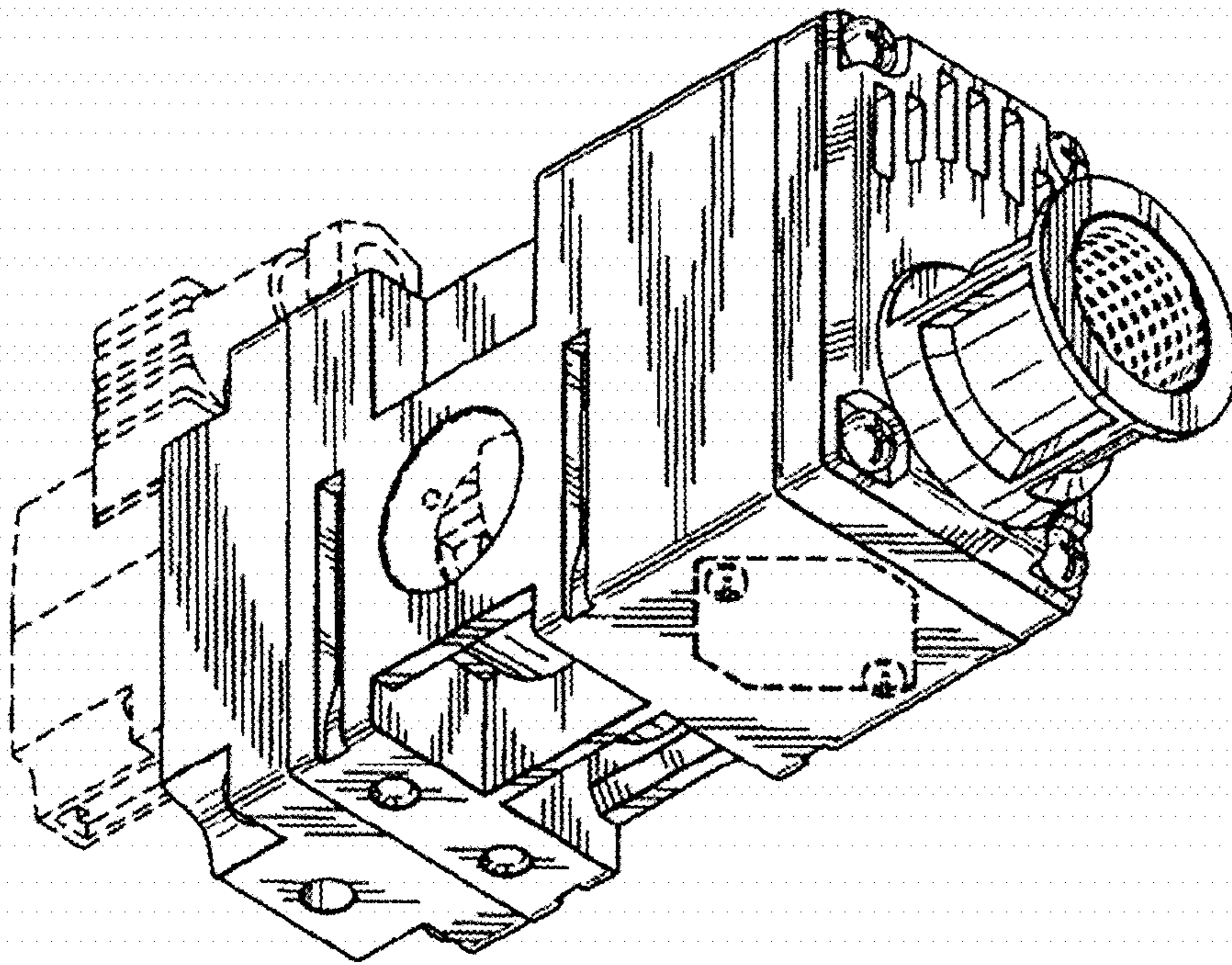


Fig. 7

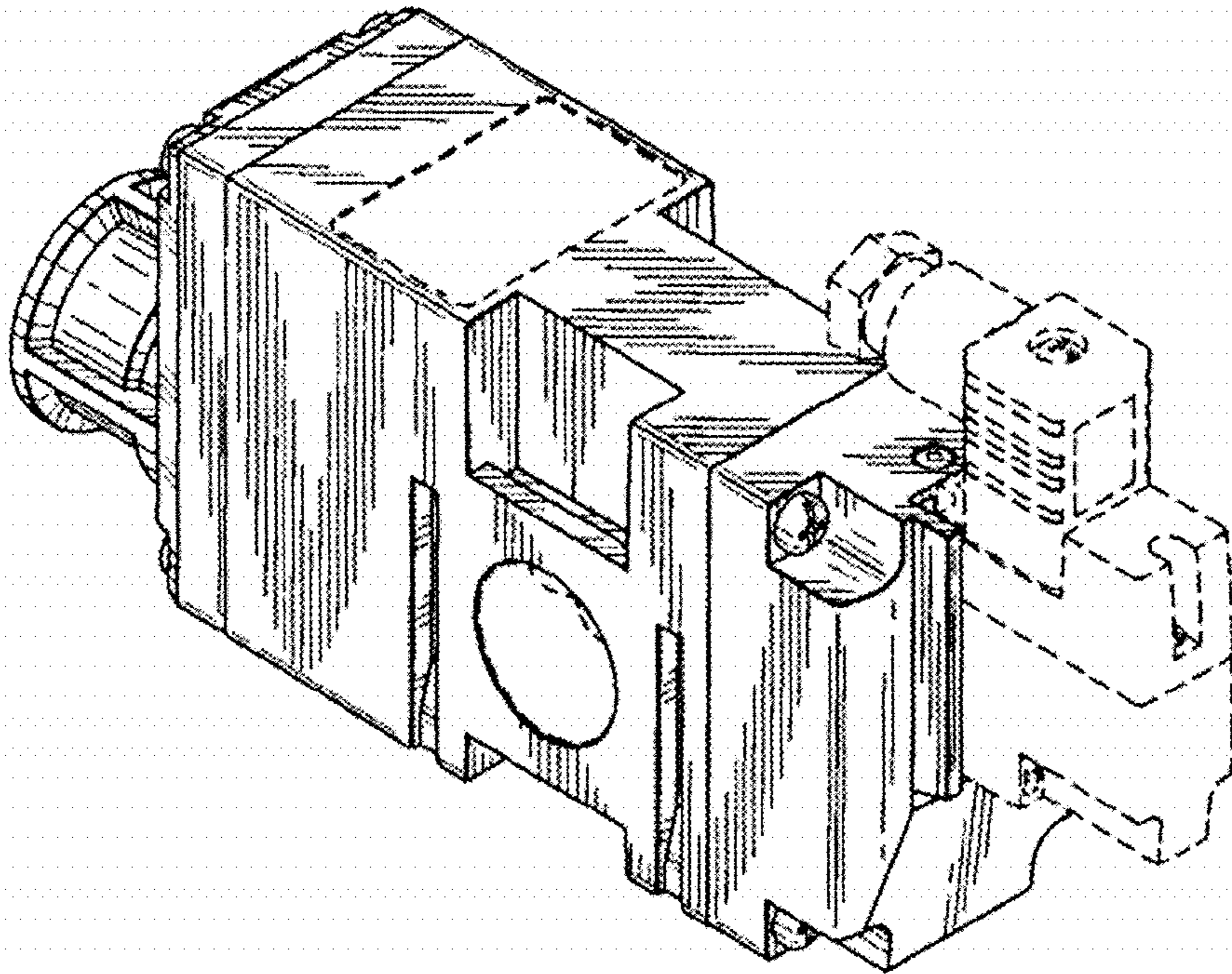


Fig. 8