



US00D752180S

(12) **United States Design Patent**
Farkas et al.

(10) **Patent No.:** **US D752,180 S**
(45) **Date of Patent:** **** Mar. 22, 2016**

(54) **VALVE BODY**

(71) Applicant: **Watts Water Technologies, Inc.**, North Andover, MA (US)

(72) Inventors: **Andrew Farkas**, Bow, NH (US); **Jeffrey A. Scilingo**, Londonderry, NH (US)

(73) Assignee: **Watts Water Technologies, Inc.**, North Andover, MA (US)

(**) Term: **14 Years**

(21) Appl. No.: **29/482,526**

(22) Filed: **Feb. 19, 2014**

(51) **LOC (10) Cl.** **23-01**

(52) **U.S. Cl.**

USPC **D23/233**

(58) **Field of Classification Search**

USPC D23/233-237, 244-249; 285/47, 55, 285/179, 369, 372, 373, 417, 133.11, 133.3, 285/133.21, 133.5, 423, 129.1, 340, 242, 285/351, 125.1; 156/187, 173; 251/149, 251/149.2, 149.4, 145, 147, 148

CPC ... F16K 31/0655; F16K 39/024; F16K 17/04; F16K 31/0675

See application file for complete search history.

(56) **References Cited**

U.S. PATENT DOCUMENTS

2,089,144	A	8/1937	Work	
2,252,152	A	8/1941	Work	
2,519,805	A	8/1950	Wilkins	
2,664,674	A	1/1954	Niesemann	
6,068,014	A	5/2000	Tomita	
D541,379	S *	4/2007	Nortier	D23/233
D600,780	S *	9/2009	Shishido	D23/233
D620,553	S *	7/2010	Li et al.	D23/233
8,485,213	B2	7/2013	Hawkins et al.	

D690,390	S *	9/2013	Garm et al.	D23/233
D697,587	S *	1/2014	Nissen et al.	D23/233
D720,048	S *	12/2014	Winborn	D23/233
D722,363	S *	2/2015	Kluss et al.	D23/235

OTHER PUBLICATIONS

Watts 2013 Price List Repair Kits and Service Price List—For all Watts products except Backflow Preventers (Effective Sep. 4, 2012—revised Aug. 31, 2013), pp. 1-34.

Water Pressure Reducing Valves (watts.com), pp. 1-42 (2014).

Lead Free Series LF25AUB-Z3—Water Pressure Reducing Valves—for REsidential and Commercial Application (watts.com) (2013).

* cited by examiner

Primary Examiner — Cynthia Ramirez

(74) *Attorney, Agent, or Firm* — Adler Pollock & Sheehan P.C.; George N. Chaclas, Esq.; Daniel J. Holmander, Esq.

(57) **CLAIM**

The ornamental design for a valve body, as shown and described.

DESCRIPTION

FIG. 1 is a front view of the valve body according to the present disclosure.

FIG. 2 is a back view of the valve body according to the present disclosure.

FIG. 3 is a right side view of the valve body according to the present disclosure.

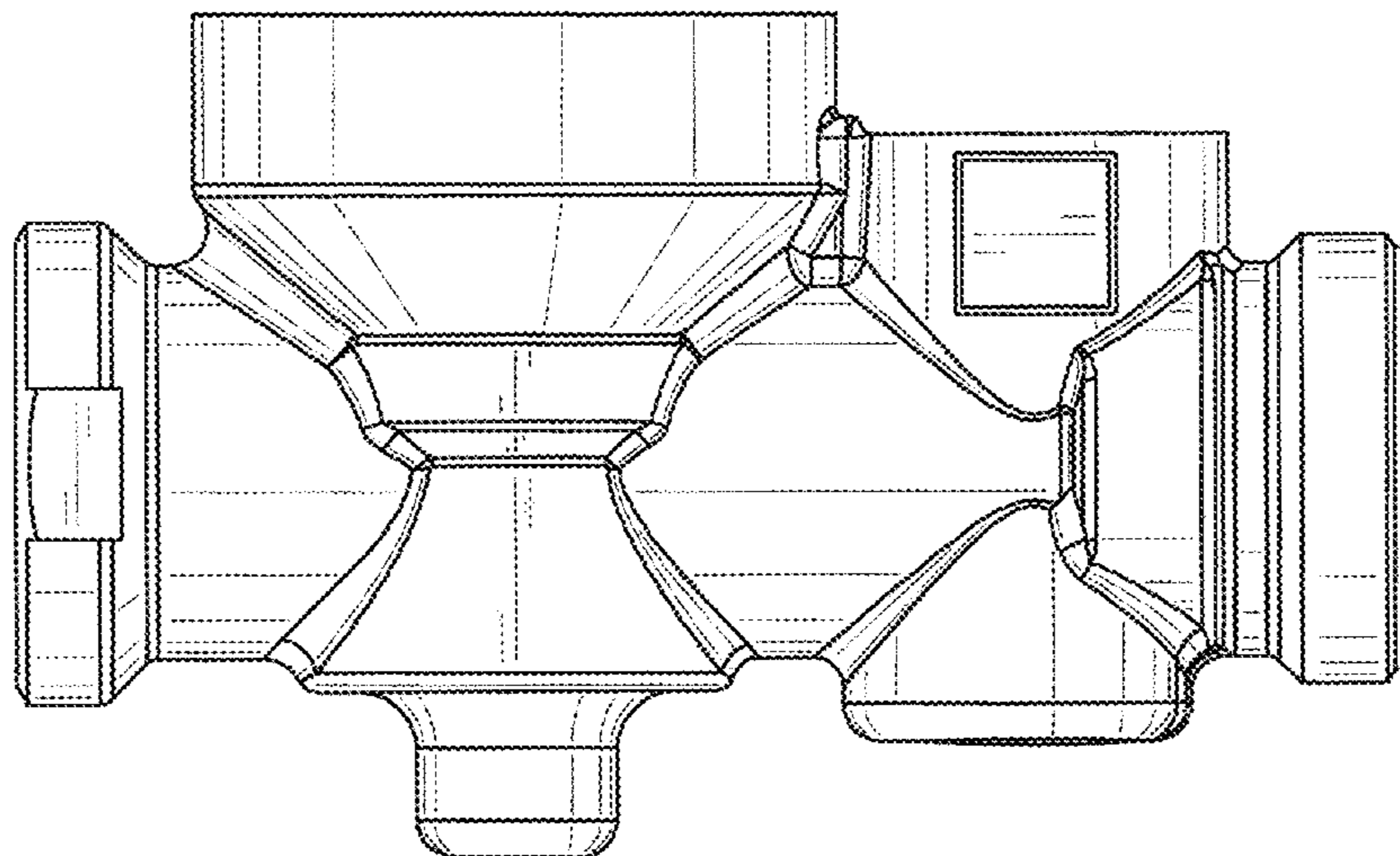
FIG. 4 is a left side view of the valve body according to the present disclosure,

FIG. 5 is a top view of the valve body according to the present disclosure; and,

FIG. 6 is a bottom view of the valve body according to the present disclosure.

The broken lines shown in the figures are included for the purpose of illustrating portions of the valve body and form no part of the claimed design.

1 Claim, 6 Drawing Sheets



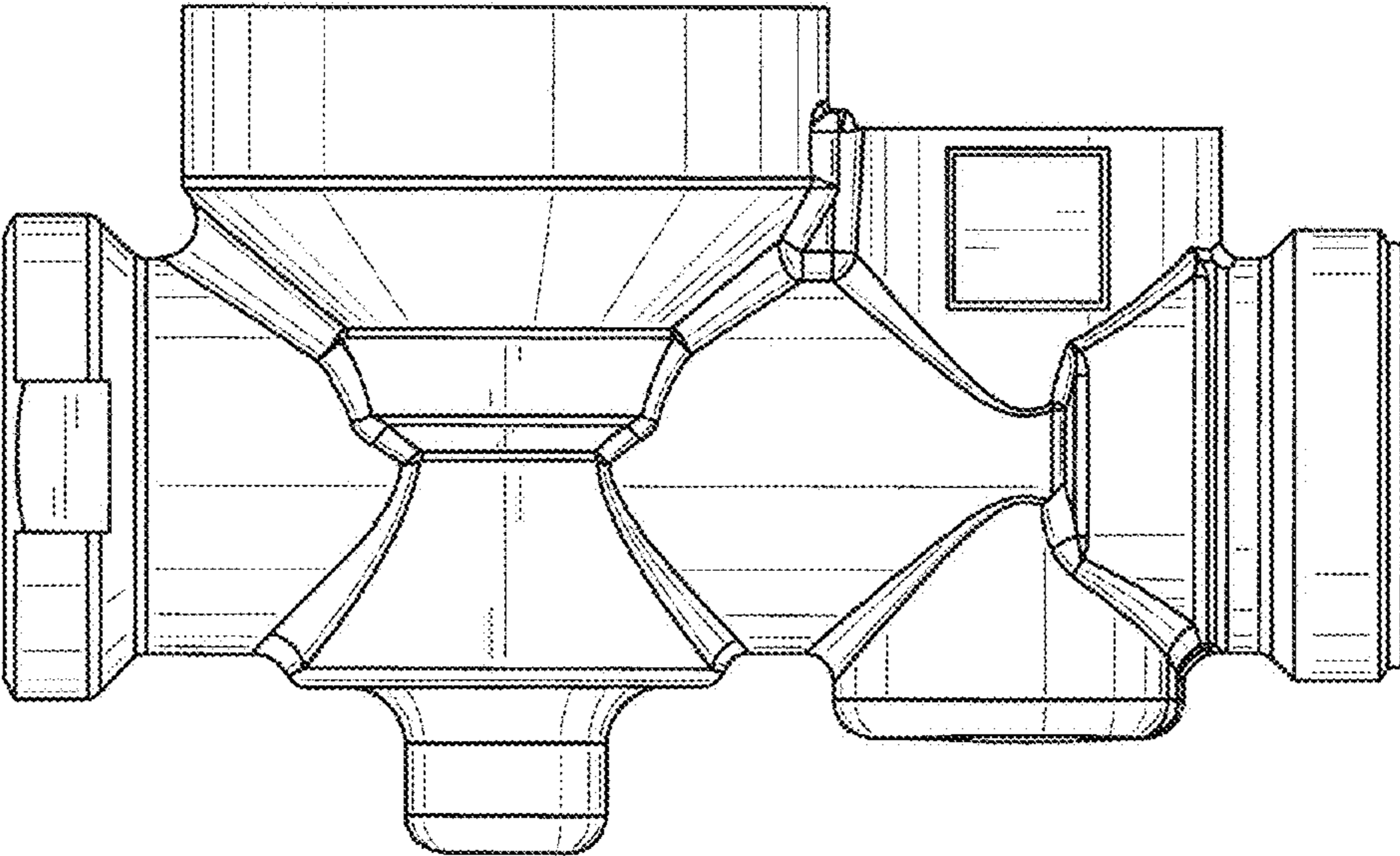


FIG. 1

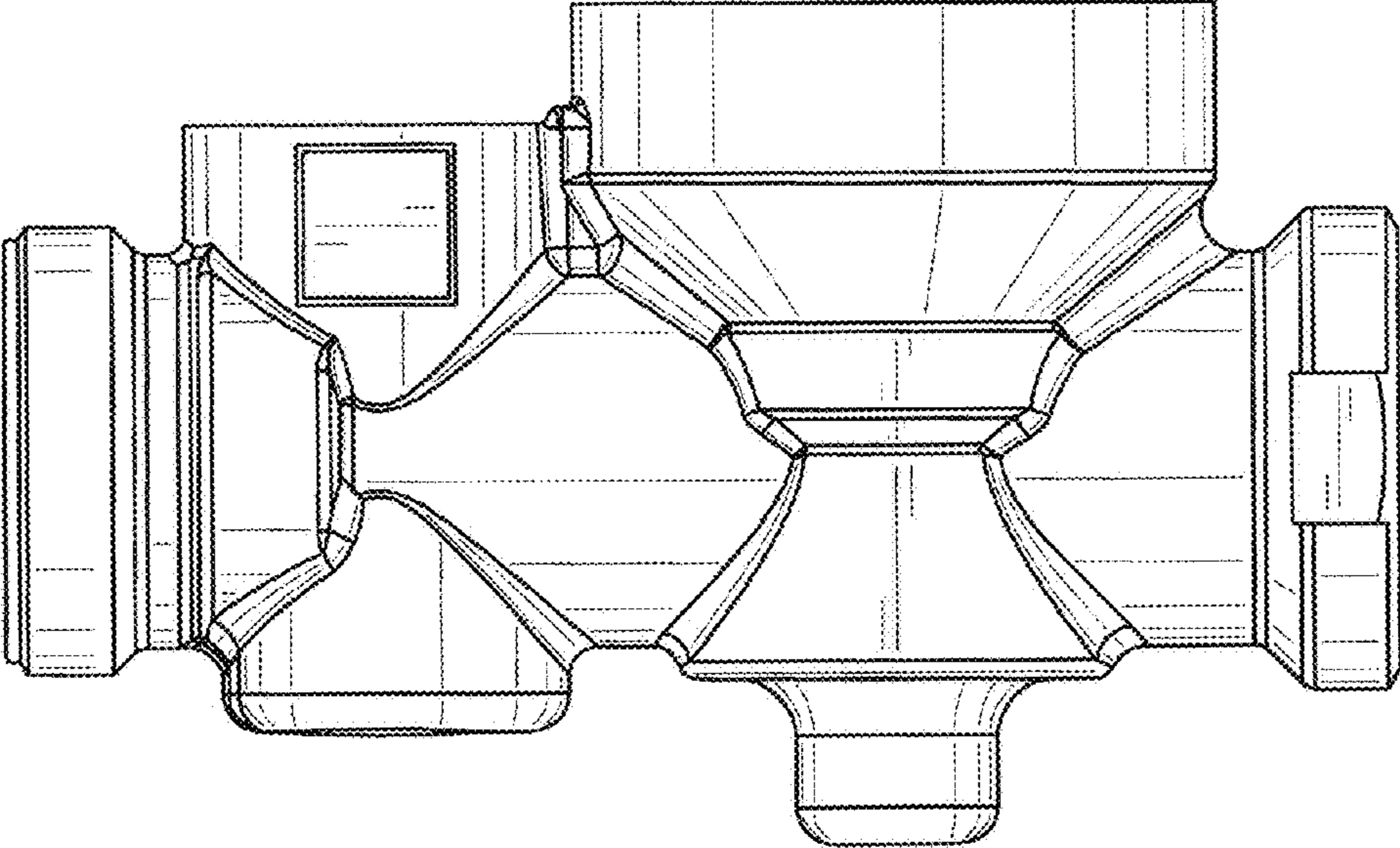


FIG. 2

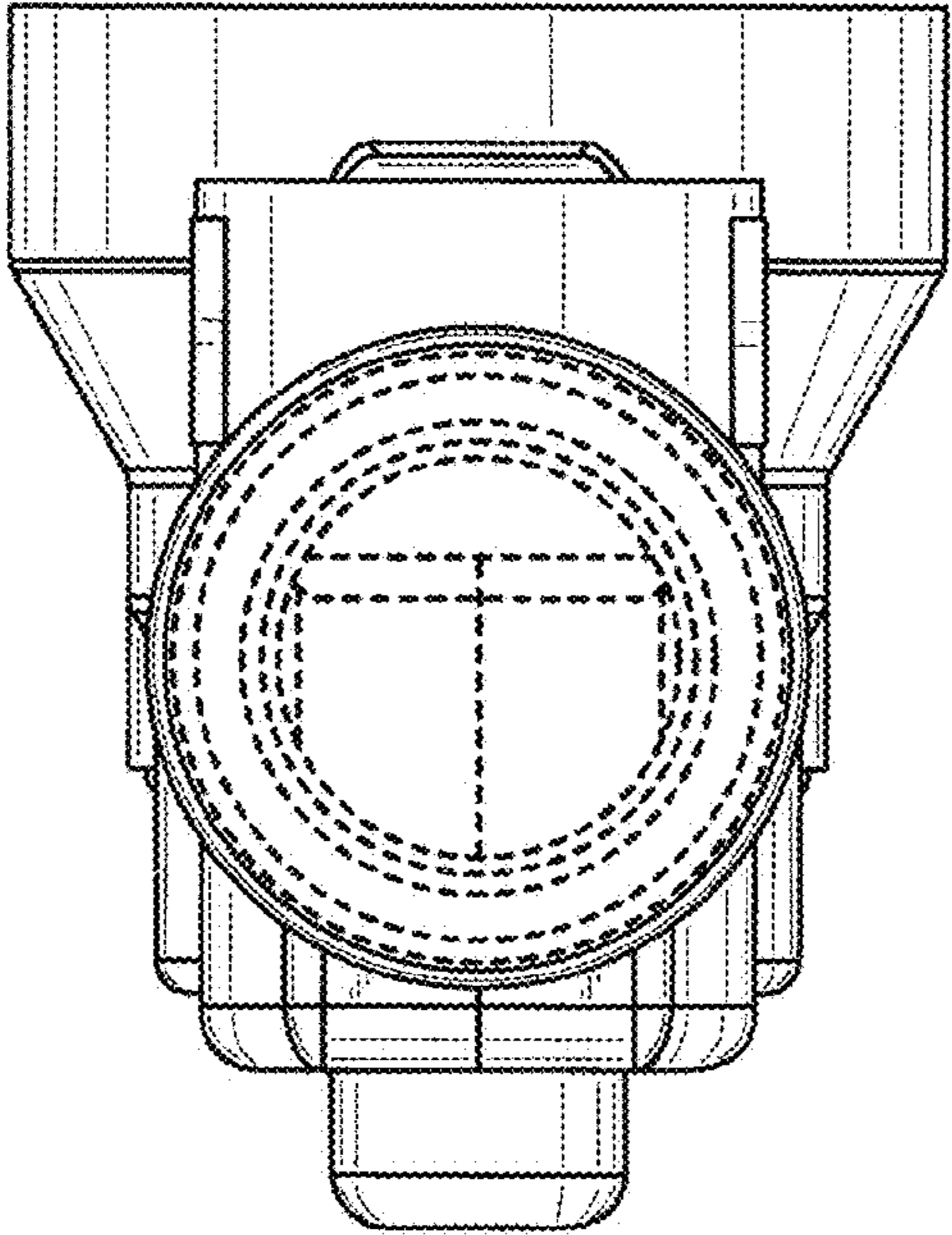


FIG. 3

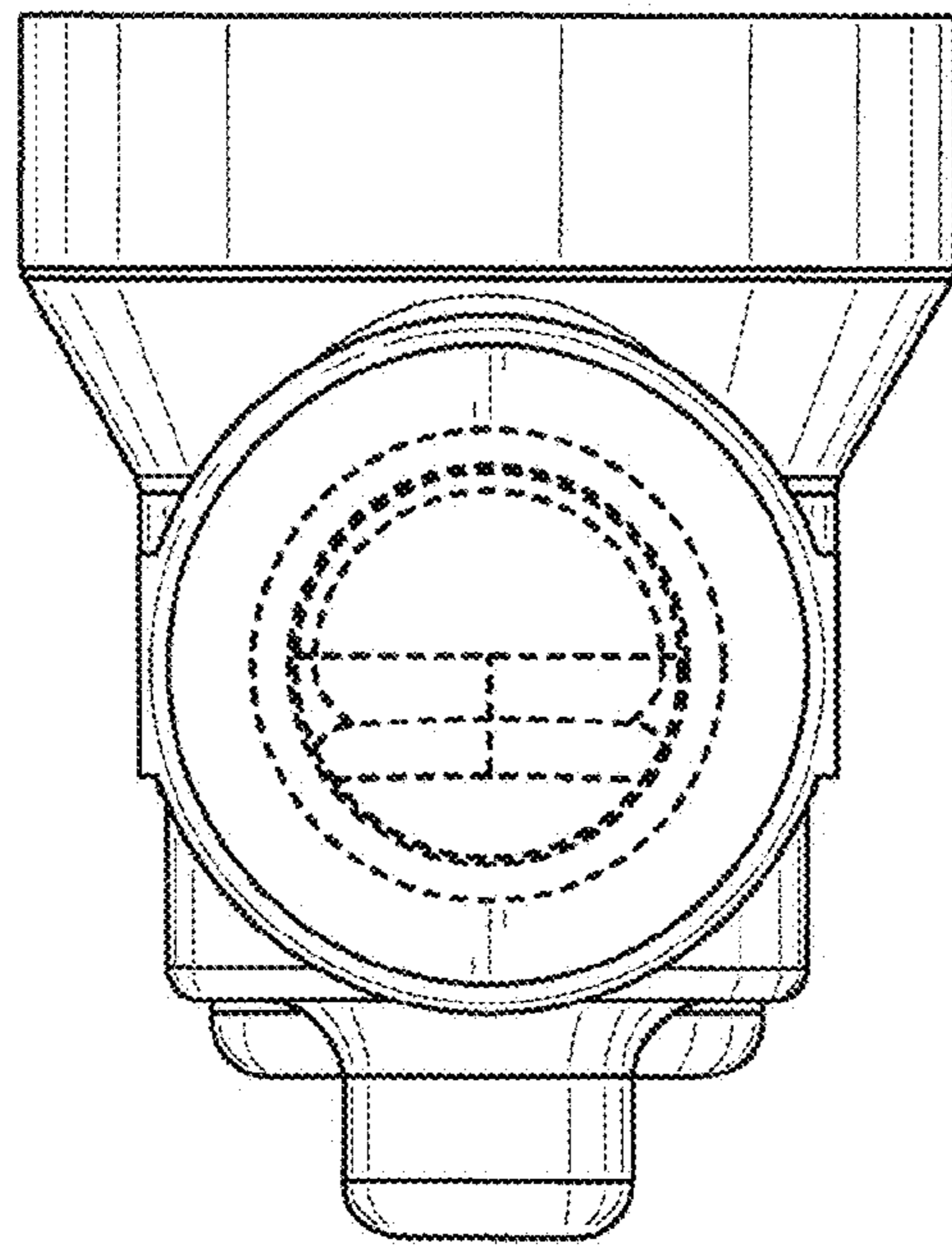


FIG. 4

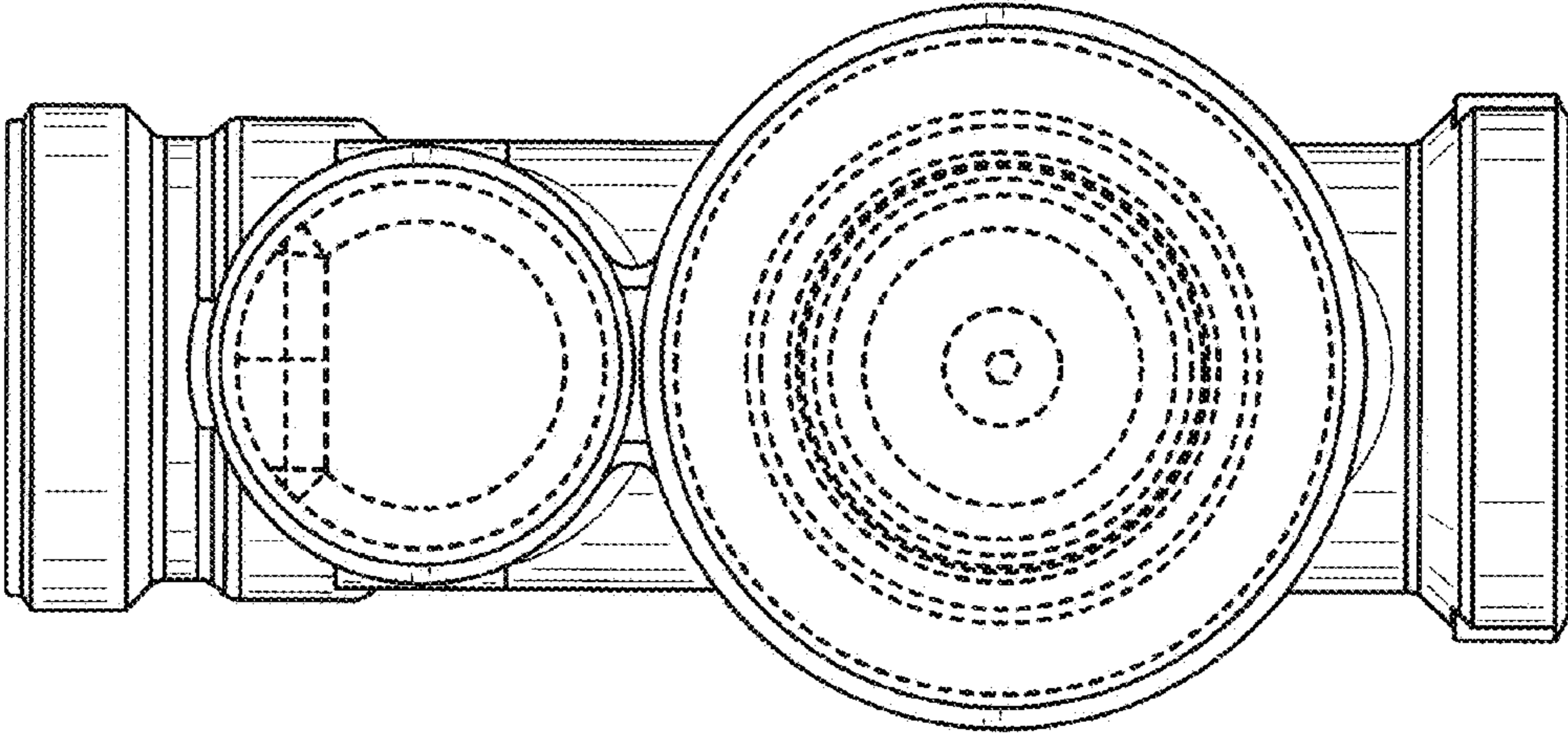


FIG. 5

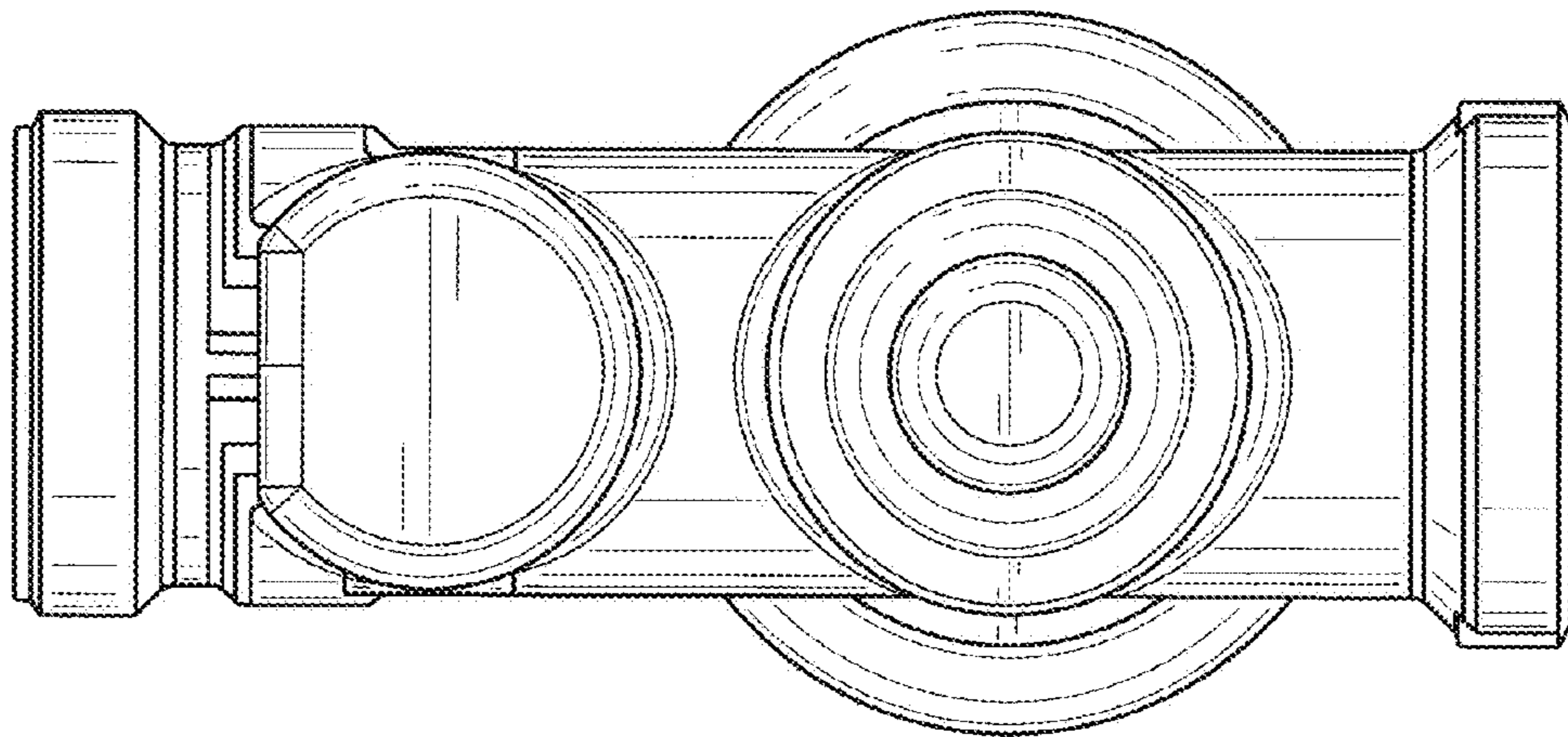


FIG. 6