



US00D752179S

(12) **United States Design Patent**
Lu

(10) **Patent No.:** **US D752,179 S**
(45) **Date of Patent:** **** Mar. 22, 2016**

(54) **INTERCHANGEABLE WATER FILTER BASE OR PORTIONS THEREOF**

(71) Applicant: **Red Origen LLC**, Plano, TX (US)
(72) Inventor: **Qiang Lu**, Ningbo Yinzhou (CN)
(73) Assignee: **Red Origen, LLC**, Plano, TX (US)
(**) Term: **14 Years**
(21) Appl. No.: **29/501,589**
(22) Filed: **Sep. 5, 2014**

(51) **LOC (10) Cl.** **23-01**
(52) **U.S. Cl.**

USPC **D23/209**

(58) **Field of Classification Search**

USPC D23/206, 207, 209, 262, 259, 265;
210/232, 234, 236, 418, 493, 497.01,
210/499; D8/382; 285/360, 361;
248/346.01, 346.03, 346.05, 346.07
CPC B01D 2201/291; B01D 2201/293;
B01D 2201/296; B01D 2201/298; B01D
2201/301–2201/306; B01D 35/153; B01D
35/157; B01D 35/30; B01D 29/111; B01D
39/12; B01D 39/10

See application file for complete search history.

(56) **References Cited**

U.S. PATENT DOCUMENTS

D243,767 S 3/1977 Rutherford
D269,294 S 6/1983 Rakocy et al.

(Continued)

OTHER PUBLICATIONS

Photos of Electrolux water filter for a refrigerator, 2 pages, date unknown.

(Continued)

Primary Examiner — Robin V Webster

(74) *Attorney, Agent, or Firm* — Elizabeth Philip Dahm;
Kelly J. Kubasta; Ferguson, Braswell & Fraser, PC

(57) **CLAIM**

The ornamental design for interchangeable water filter base or portions thereof, as shown and described.

DESCRIPTION

FIG. 1 illustrates a front perspective view of a first water filter base of a set of interchangeable water filter bases.

FIG. 2 illustrates a front view of the first water filter base for a water filter illustrated in FIG. 1.

FIG. 3 illustrates a back view of the first water filter base illustrated in FIG. 1.

FIG. 4 illustrates a first side view of the first water filter base illustrated in FIG. 1.

FIG. 5 illustrates a second side view of the first water filter base illustrated in FIG. 1.

FIG. 6 illustrates a top view of the first water filter base illustrated in FIG. 1.

FIG. 7 illustrates a bottom view of the first water filter base illustrated in FIG. 1.

FIG. 8 illustrates a front perspective view of the first water filter base coupled to an implementation of a water filter.

FIG. 9 illustrates an exploded perspective view of the first water filter base and the implementation of the water filter illustrated in FIG. 8.

FIG. 10 illustrates a front perspective view of a second water filter base of a set of interchangeable water filter bases.

FIG. 11 illustrates a front view of the second water filter base illustrated in FIG. 10.

FIG. 12 illustrates a back view of the second water filter base illustrated in FIG. 10.

FIG. 13 illustrates a first side view of the second water filter base illustrated in FIG. 10.

FIG. 14 illustrates a second side view of the first water filter base illustrated in FIG. 10.

FIG. 15 illustrates a top view of the second water filter base illustrated in FIG. 10.

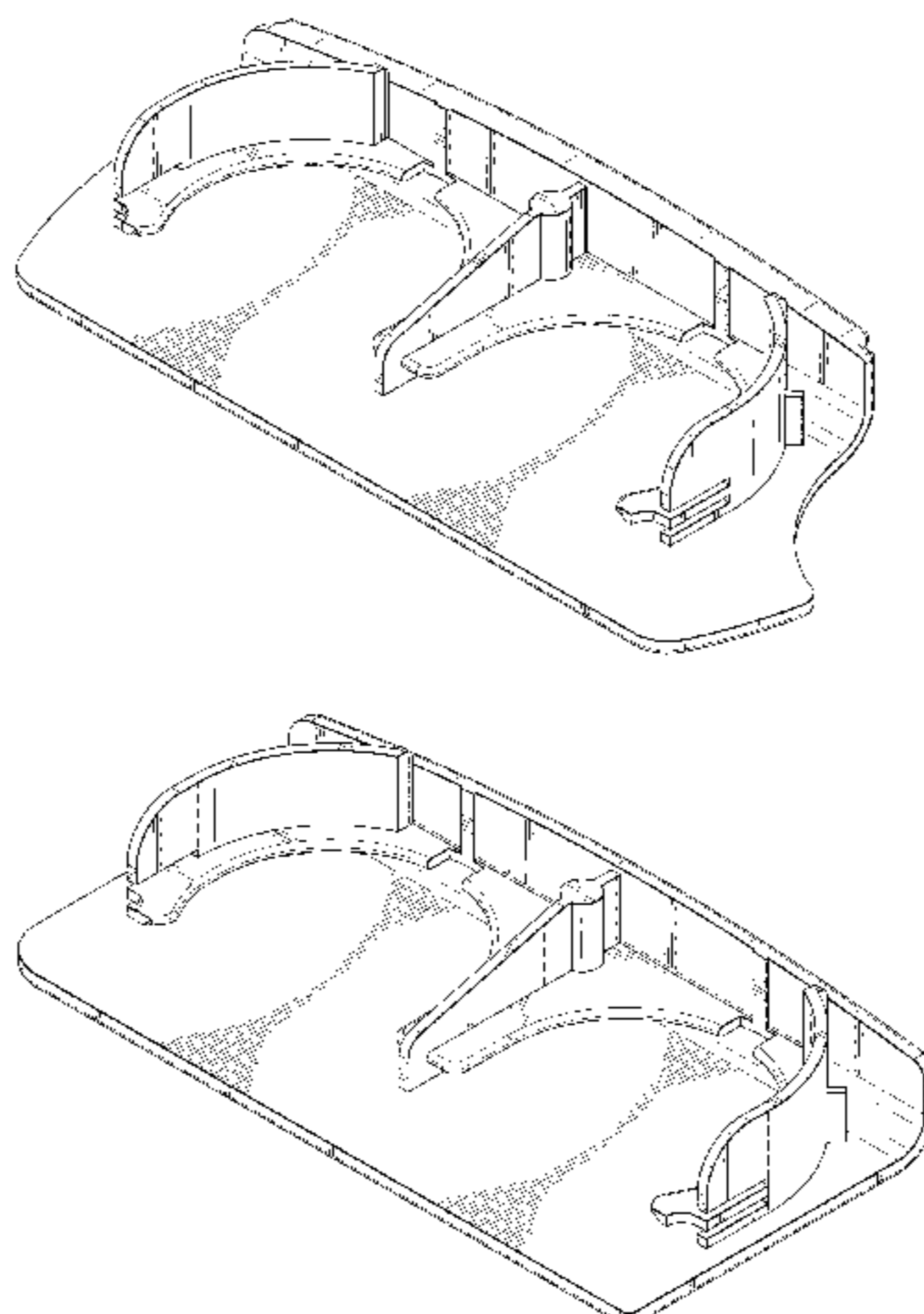
FIG. 16 illustrates a bottom view of the second water filter base illustrated in FIG. 10.

FIG. 17 illustrates a front perspective view of the second water filter base coupled to an implementation of a water filter; and,

FIG. 18 illustrates an exploded perspective view of the second water filter base and the implementation of the water filter illustrated in FIG. 17.

The broken lines, when present in the drawings, represent portions of the water filter. The broken lines are for the purpose of illustrating the environment of the design and form no part of the claimed design. The surface shading lines, when present in the drawings, show contour and/or distinguish between open and solid areas. The surface shading lines are not surface ornamentation. The design is not limited to the scale shown herein.

1 Claim, 14 Drawing Sheets



(56)

References Cited

U.S. PATENT DOCUMENTS

D285,606 S 9/1986 Christopherson
 D322,836 S 12/1991 Petrucci et al.
 D356,625 S 3/1995 Petrucci et al.
 D384,128 S 9/1997 Scott
 D388,500 S 12/1997 Burchard et al.
 5,826,854 A 10/1998 Janvrin et al.
 D407,008 S * 3/1999 Scott D8/349
 D433,094 S 10/2000 Magnusson et al.
 D439,304 S 3/2001 Tilp et al.
 RE37,216 E 6/2001 Koslow
 D448,448 S 9/2001 Hughes et al.
 D472,604 S 4/2003 Fritze
 D493,207 S 7/2004 Ueda et al.
 D494,654 S 8/2004 Macaulay et al.
 7,000,894 B2 2/2006 Olson et al.
 7,147,773 B2 12/2006 Mitchell et al.
 D546,412 S 7/2007 Kennedy et al.
 D547,825 S 7/2007 Kennedy et al.
 7,238,278 B2 7/2007 Coffey et al.
 D548,306 S 8/2007 Kennedy et al.
 7,387,725 B2 6/2008 Choi et al.
 7,407,148 B2 8/2008 Bassett et al.
 D599,880 S 9/2009 Rampen et al.
 7,610,932 B2 11/2009 Olson et al.
 D621,001 S 8/2010 Maziel et al.
 D636,458 S 4/2011 Born et al.
 D642,657 S 8/2011 Cumberland et al.
 D642,658 S 8/2011 Cumberland et al.
 7,988,853 B2 8/2011 Tsai
 D645,935 S 9/2011 Kulikov et al.
 D650,886 S 12/2011 Bridges et al.
 8,097,158 B2 * 1/2012 Tubby B01D 27/08
 137/625.46
 D656,578 S 3/2012 Sherman et al.
 D656,579 S 3/2012 Sherman et al.
 D656,580 S 3/2012 Sherman et al.

8,173,018 B2 5/2012 Burr et al.
 D673,242 S 12/2012 Rowe
 8,354,024 B2 1/2013 Ihle et al.
 D679,779 S 4/2013 Reid
 8,562,831 B2 10/2013 Bors et al.
 D698,005 S 1/2014 Rowe
 8,671,635 B2 * 3/2014 Jones E04F 15/02005
 108/150
 D702,318 S 4/2014 Stanley et al.
 D708,749 S 7/2014 Appling et al.
 D712,007 S 8/2014 Reid
 8,844,307 B2 9/2014 Krause et al.
 D733,871 S 7/2015 Wilcox et al.
 2004/0129624 A1 7/2004 Hamlin et al.
 2010/0275633 A1 11/2010 An et al.
 2013/0168303 A1 7/2013 Appling et al.
 2014/0217003 A1 8/2014 Huda et al.

OTHER PUBLICATIONS

Photos of General Electric water filter for a refrigerator, 3 pages, date unknown.
 Photos of Whirlpool water filter for a refrigerator, 3 pages, date unknown.
 U.S. Appl. No. 29/521,987 entitled "Fitting Section of a Water Filter" filed Mar. 26, 2015.
 U.S. Appl. No. 29/521,968 entitled "Water Filter Fitting" filed Mar. 26, 2015.
 U.S. Appl. No. 29/503,738 entitled "Water Filter Fittings" filed Sep. 29, 2014.
 U.S. Appl. No. 29/531,263 entitled "Fitting Section of a Water Filter" filed Jun. 24, 2015.
 U.S. Appl. No. 29/536,380 entitled "Water Filter Fitting Section" filed Aug. 17, 2015.
 U.S. Appl. No. 29/536,443 entitled "Water Filter Fitting" filed Aug. 17, 2015.

* cited by examiner

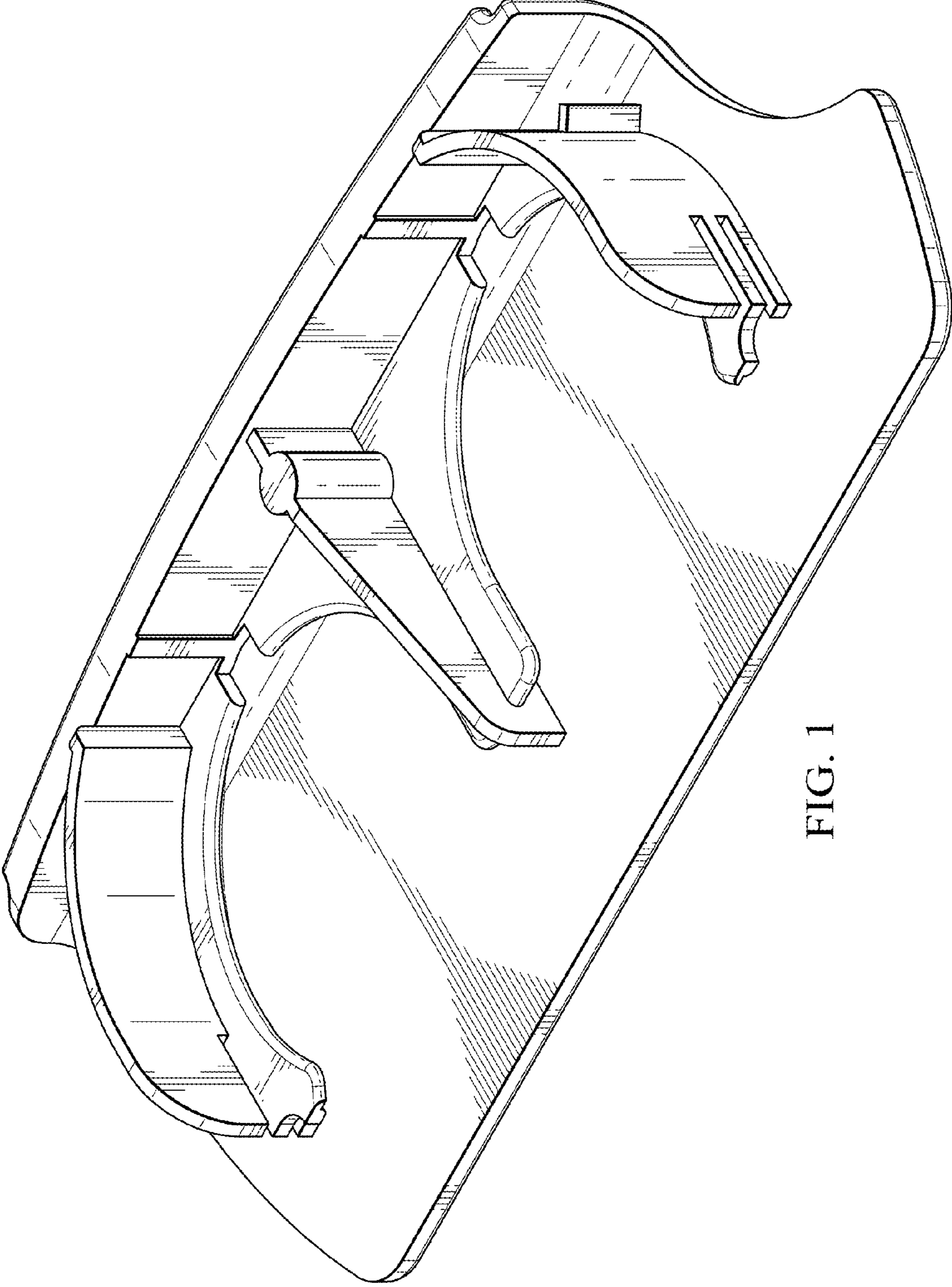


FIG. 1

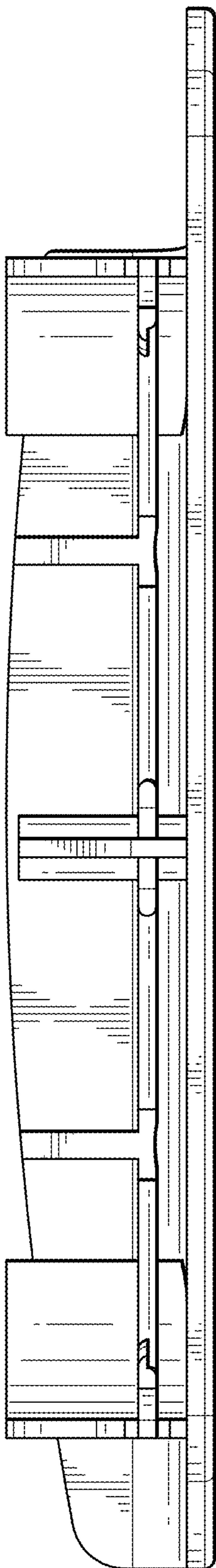


FIG. 2

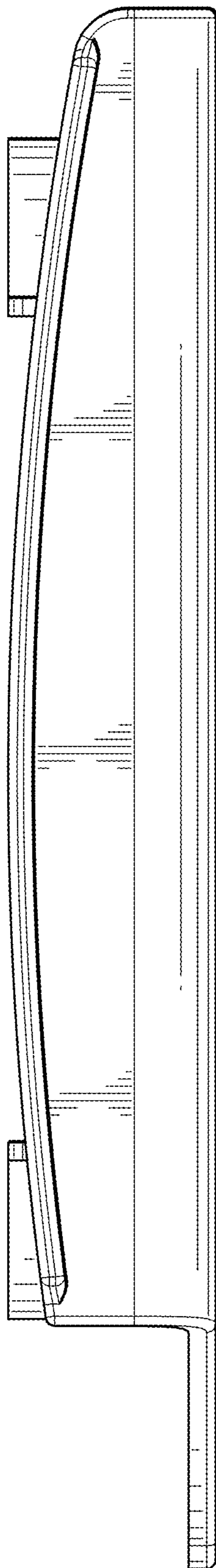


FIG. 3

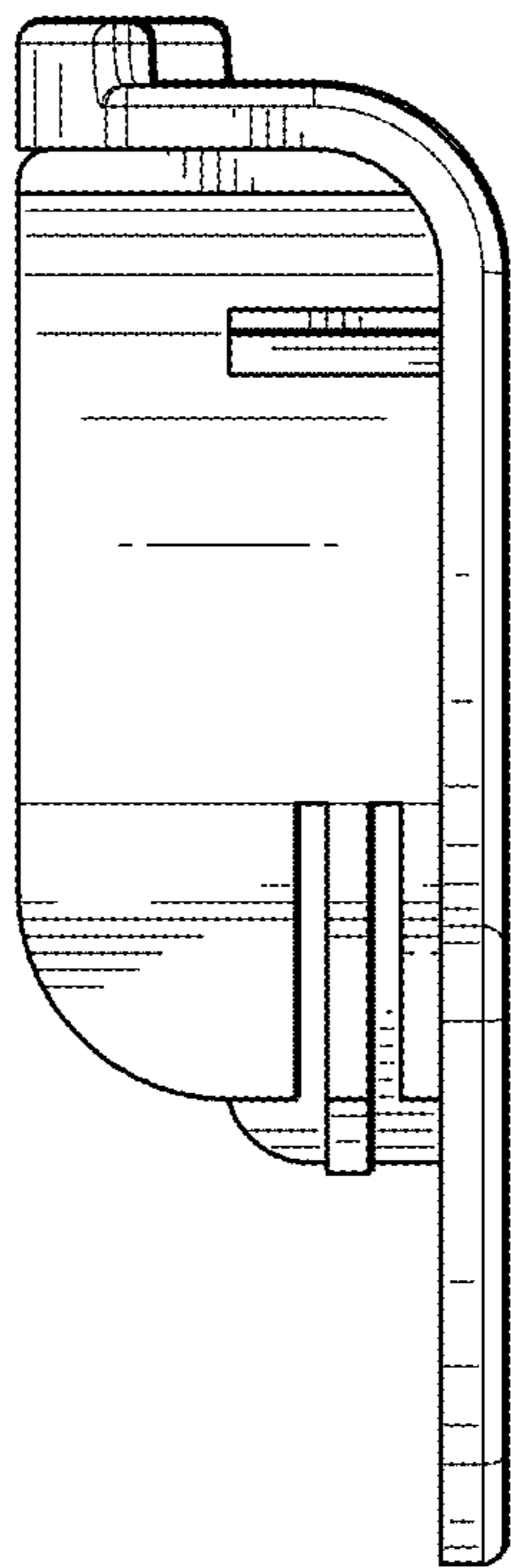


FIG. 5

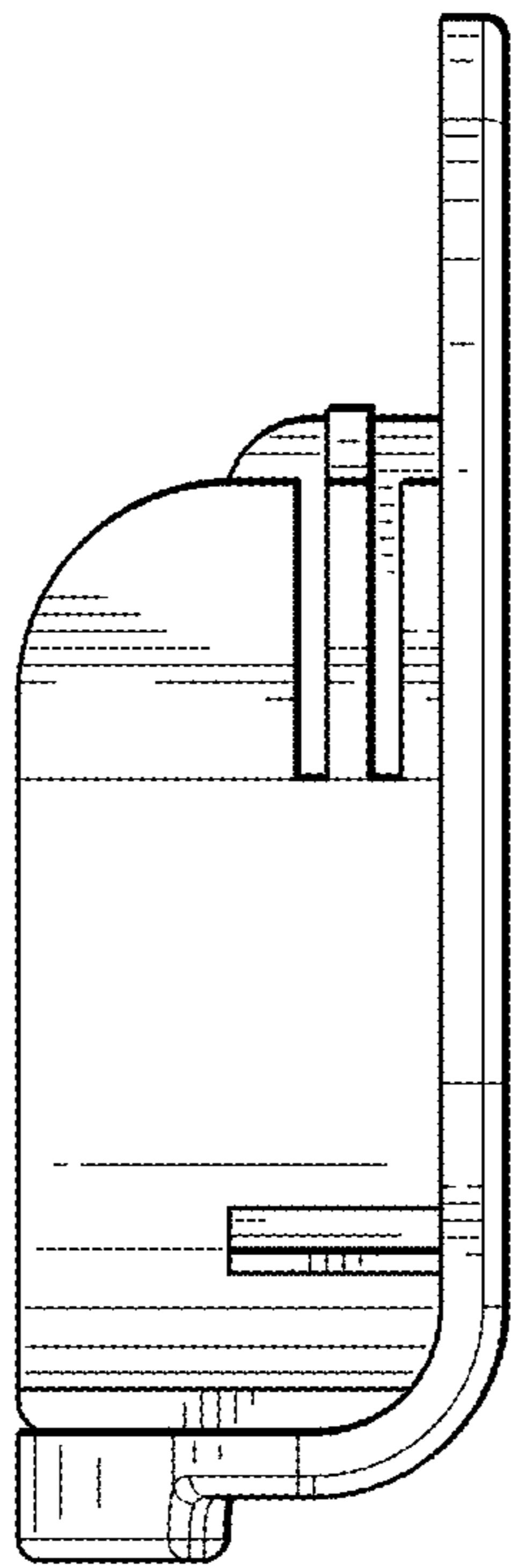


FIG. 4

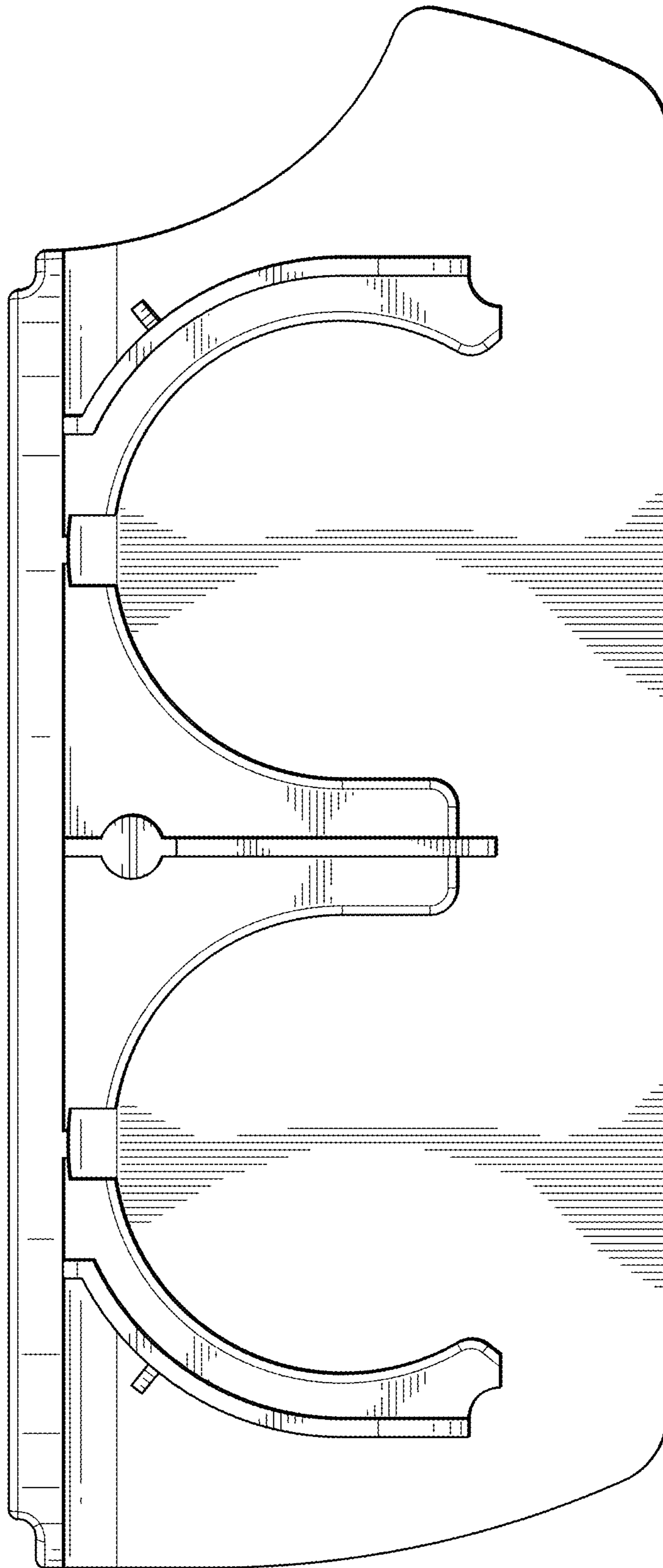


FIG. 6

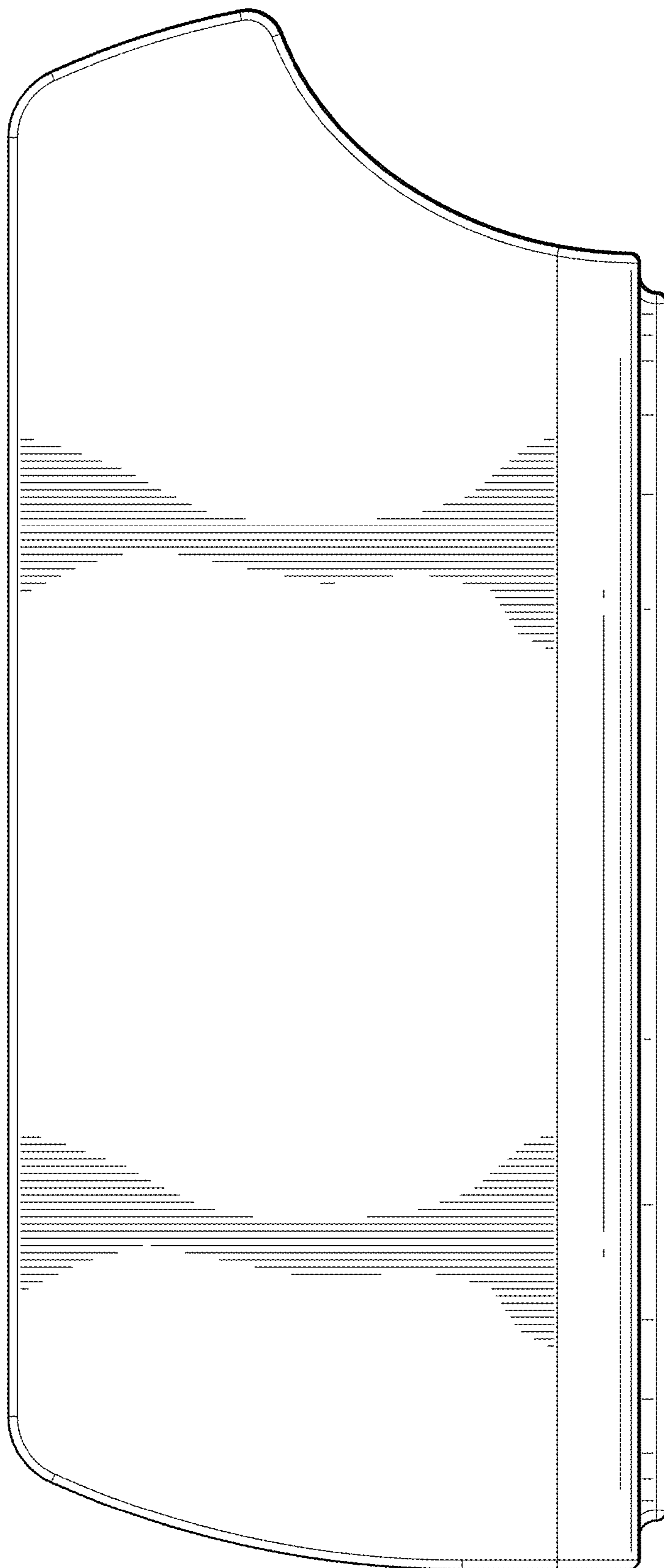


FIG. 7

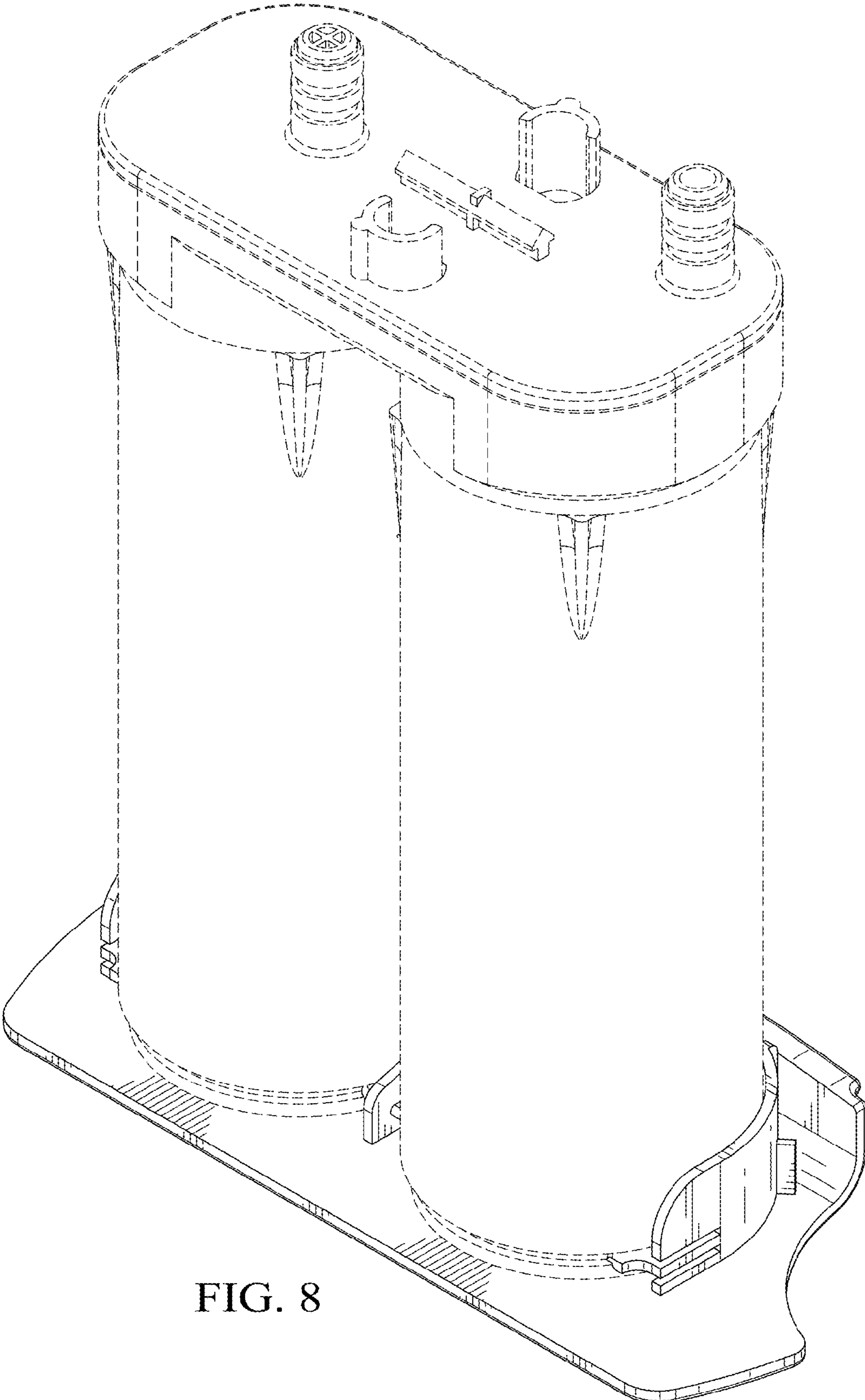


FIG. 8

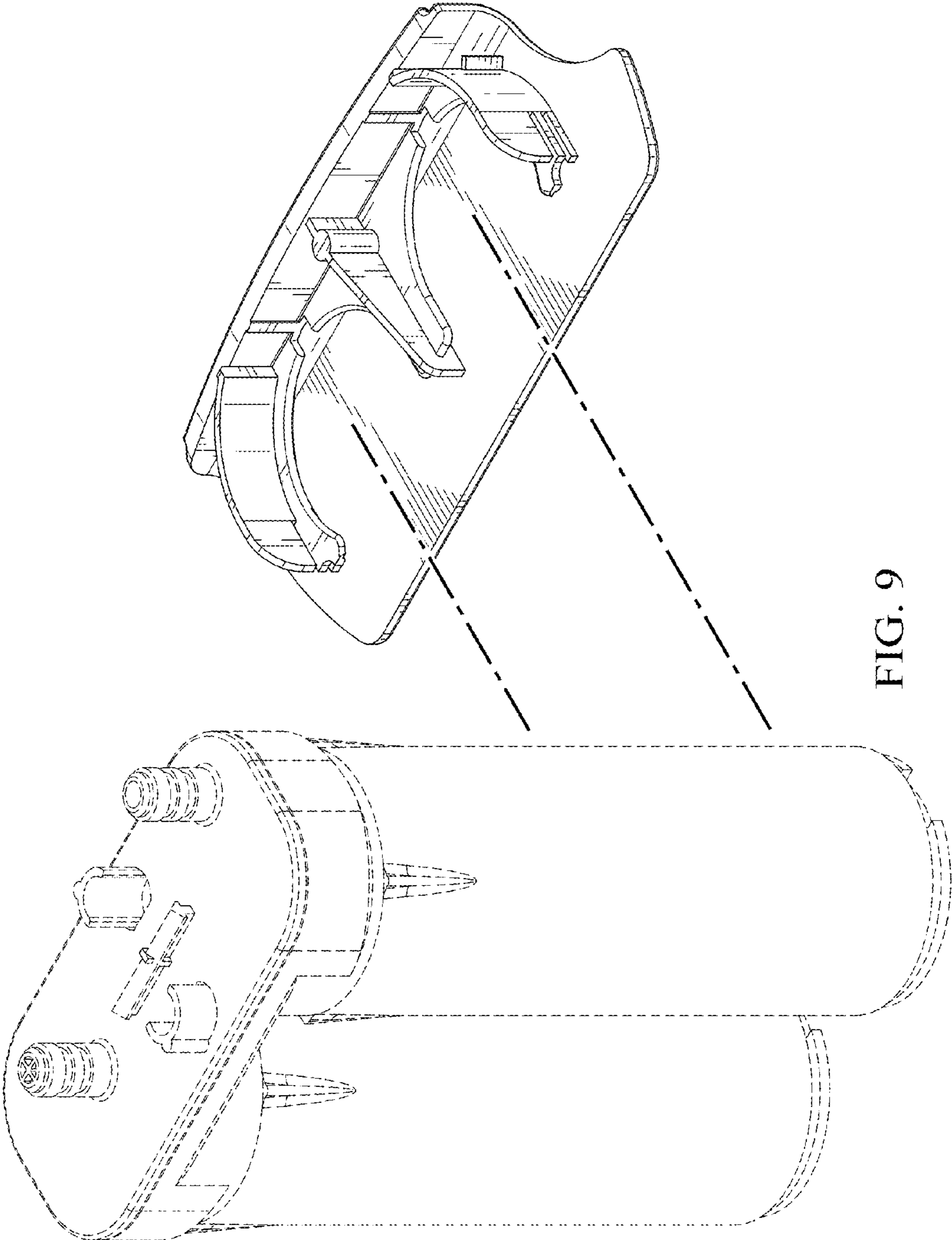


FIG. 9

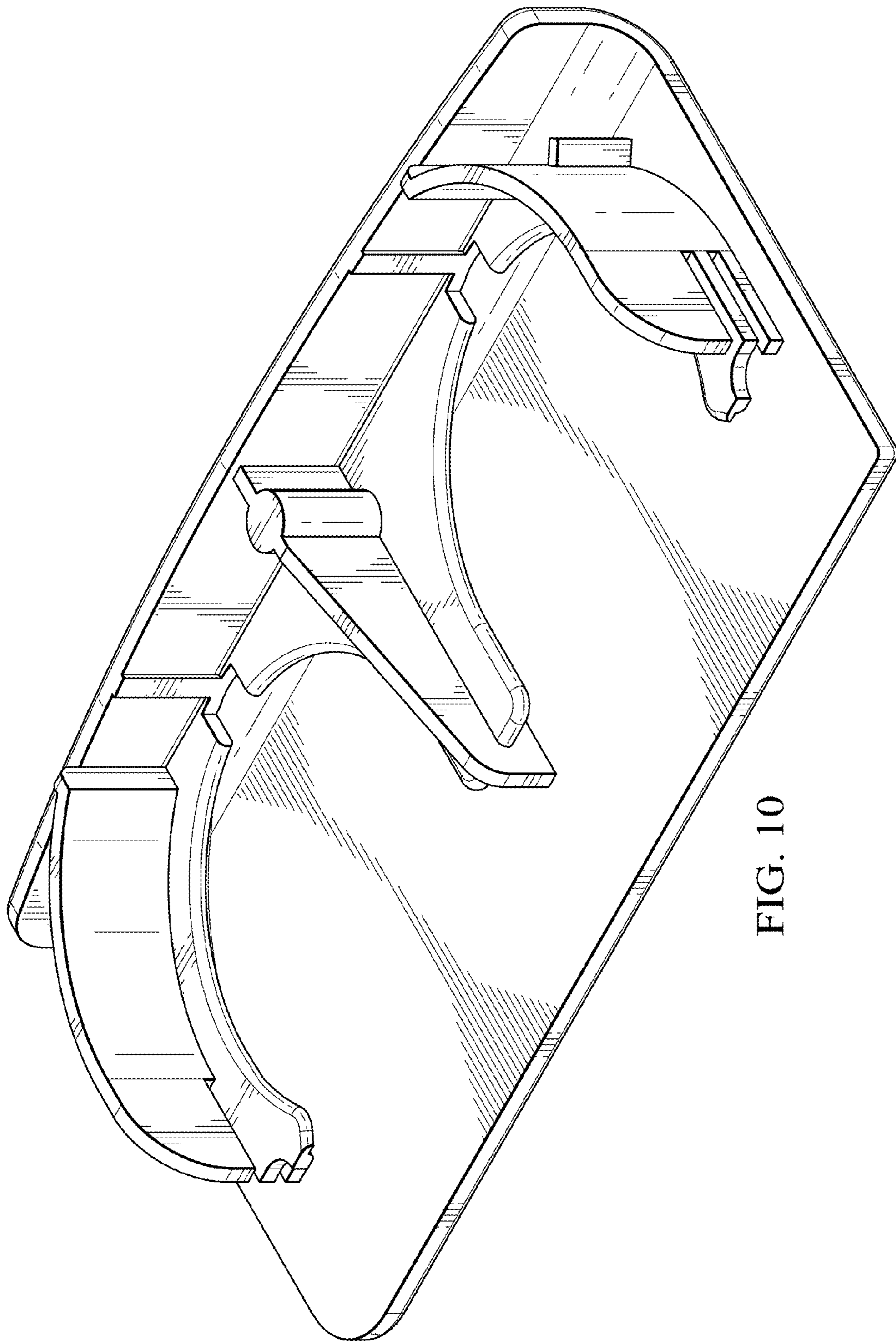


FIG. 10

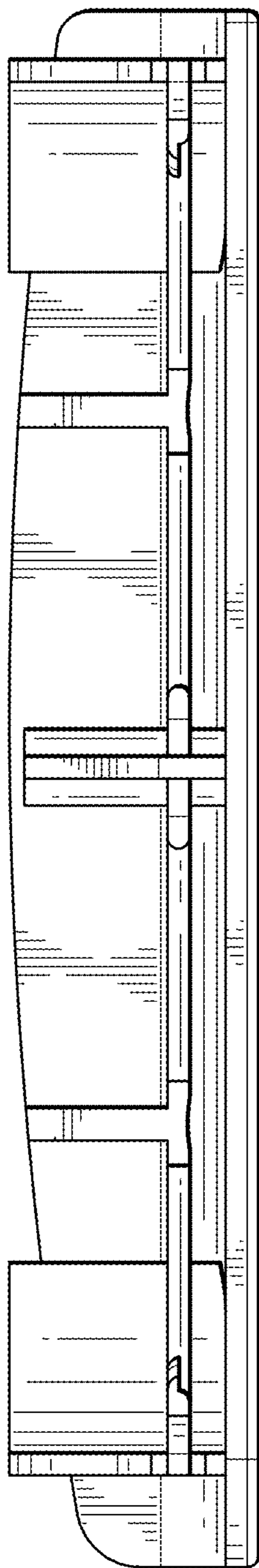


FIG. 11

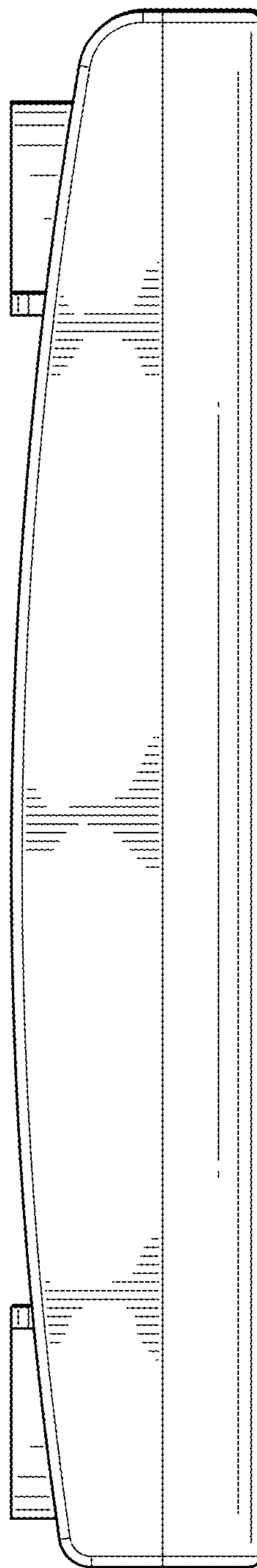


FIG. 12

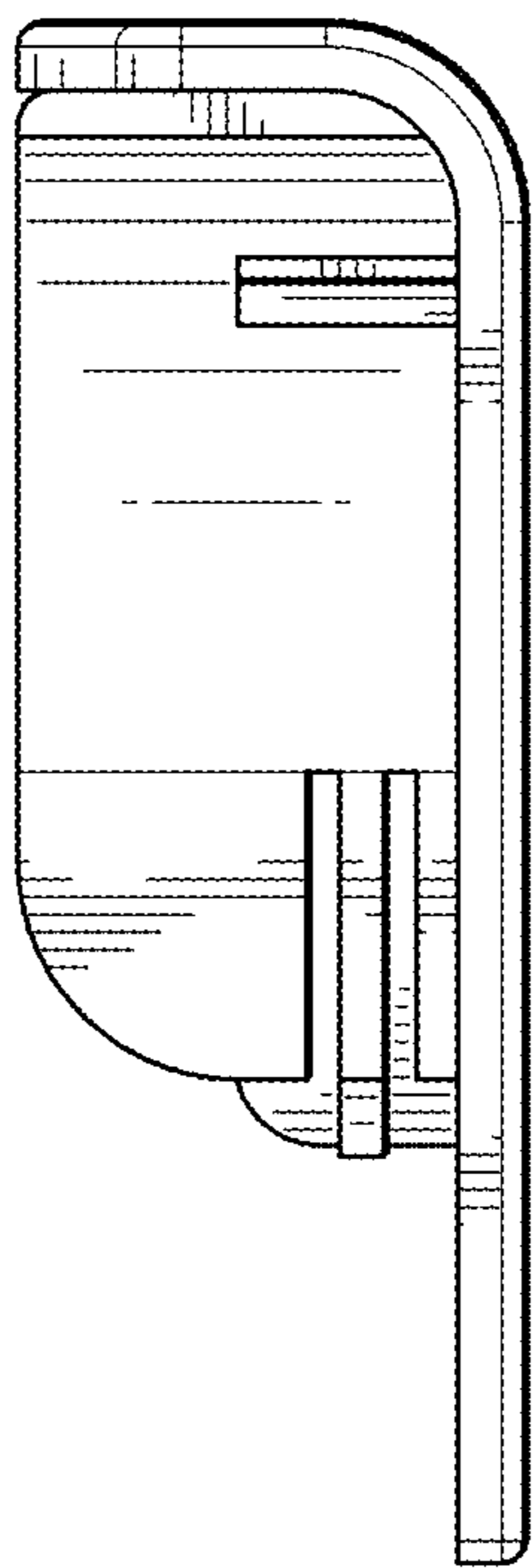


FIG. 14

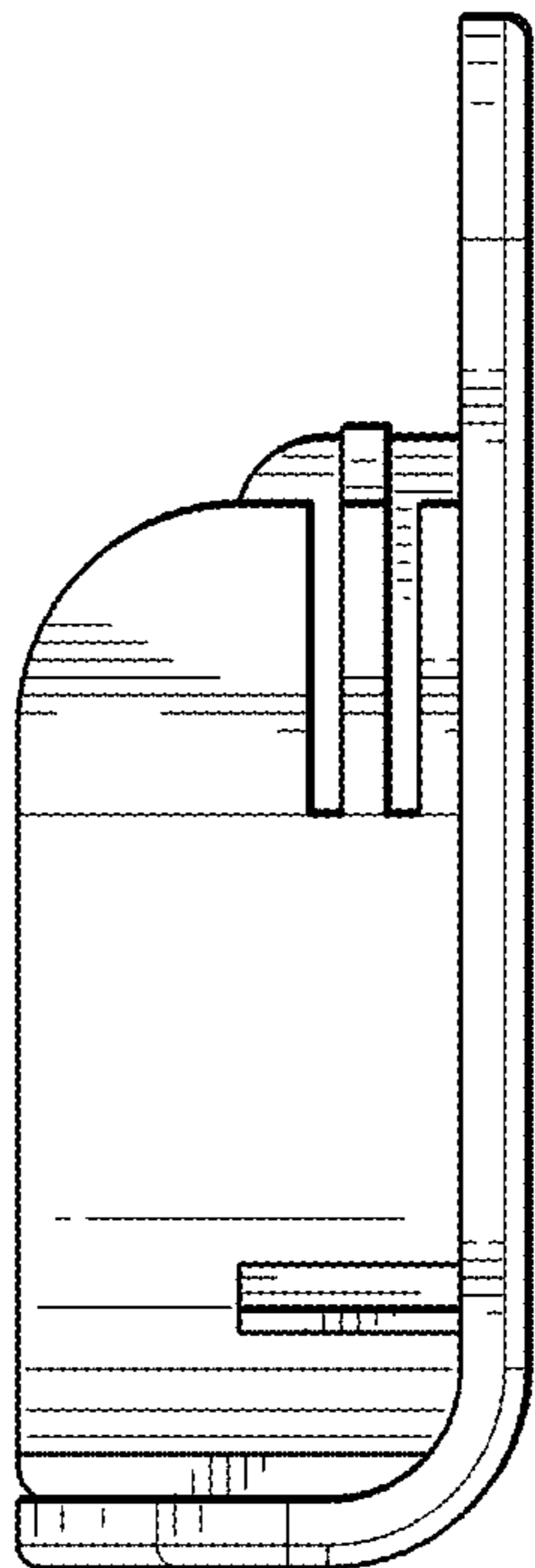


FIG. 13

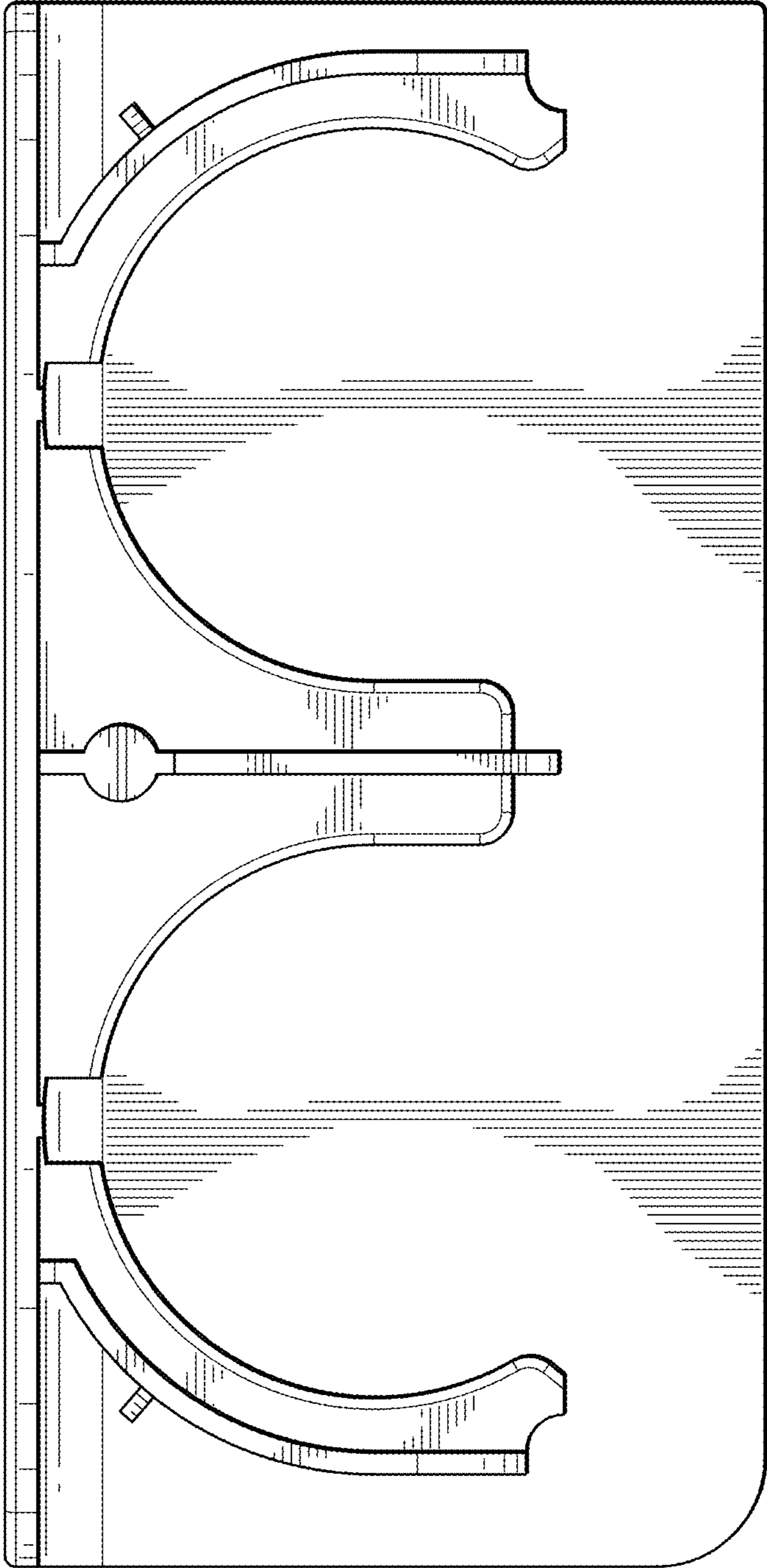


FIG. 15

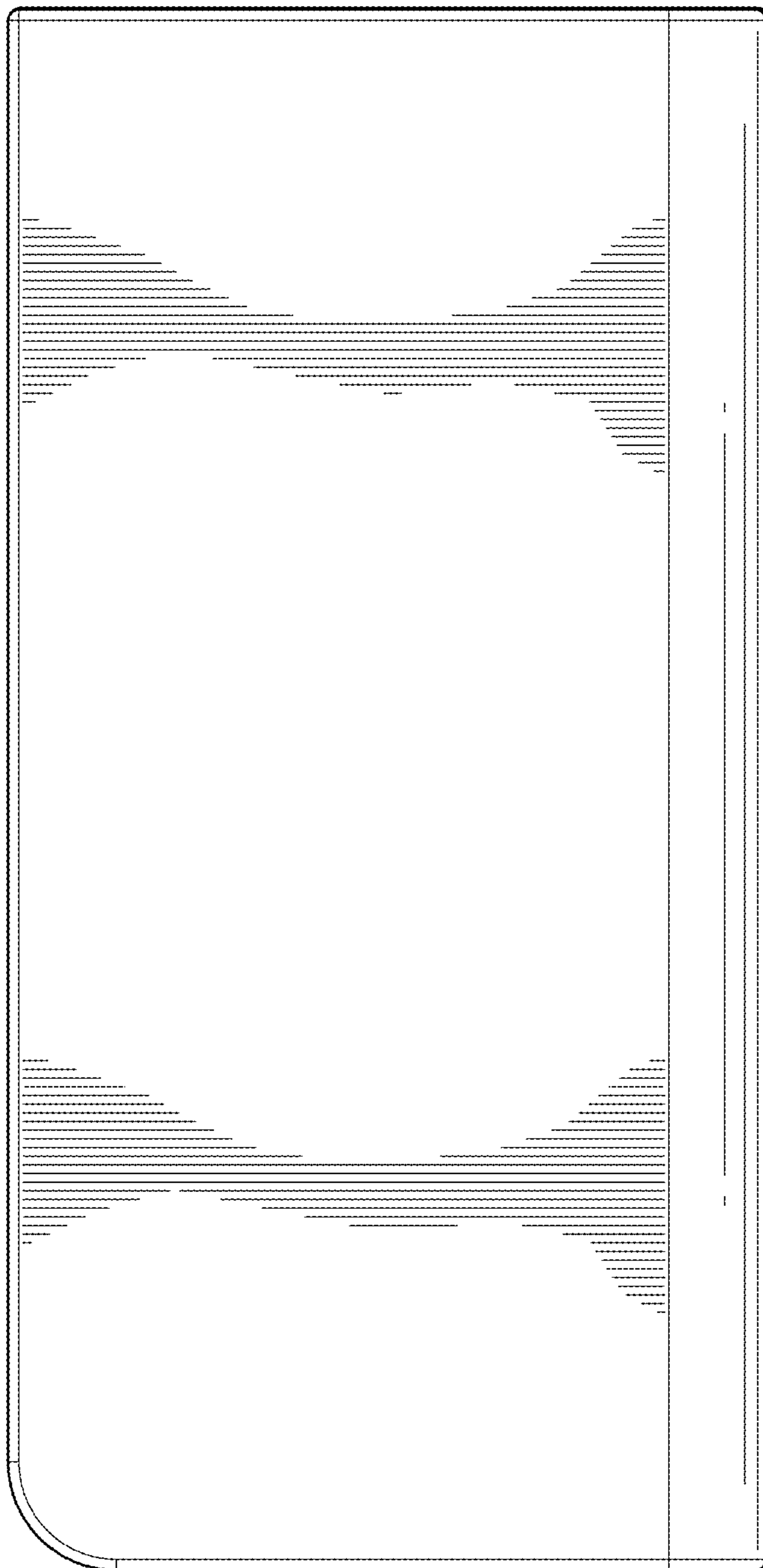


FIG. 16

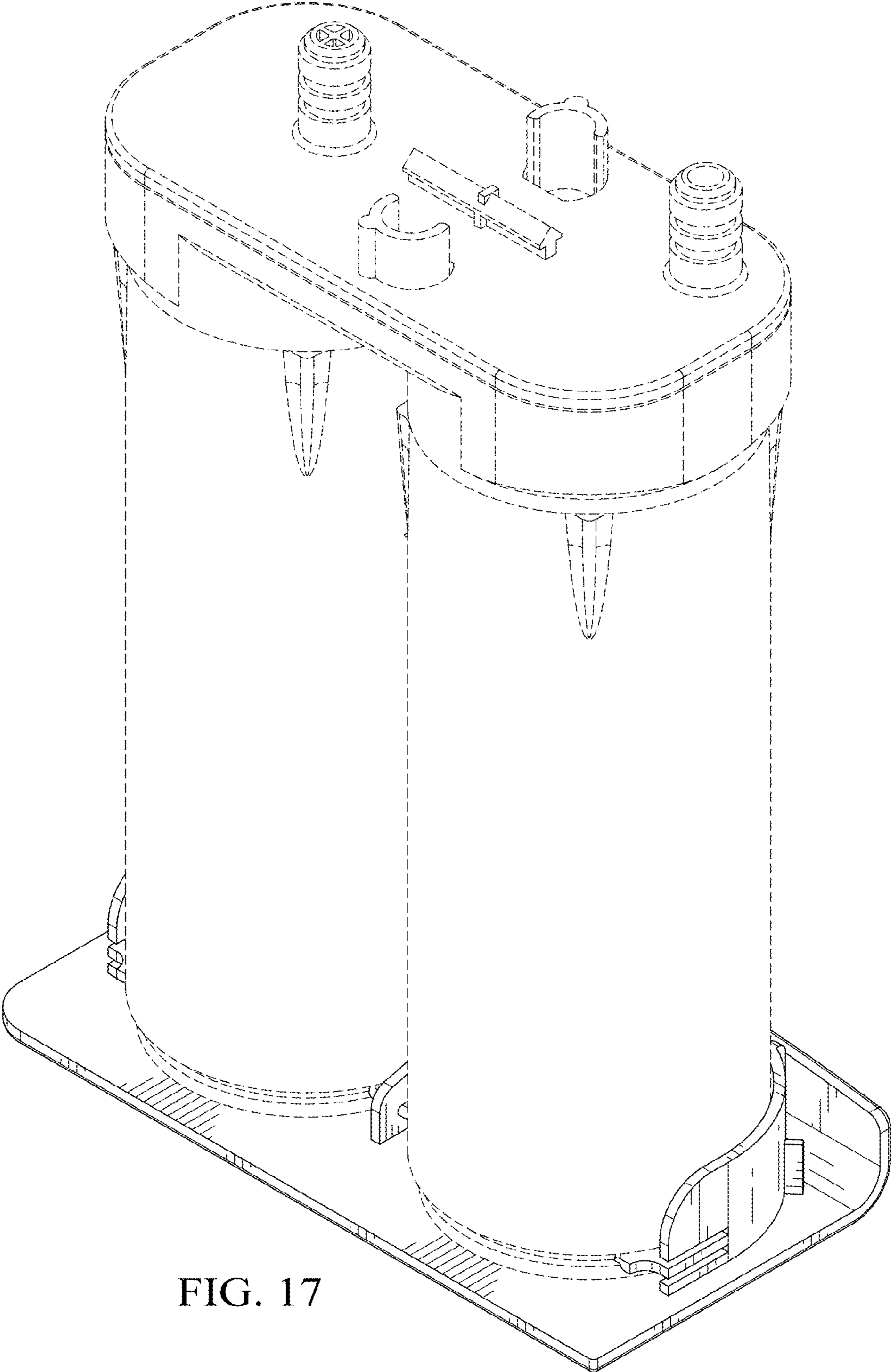


FIG. 17

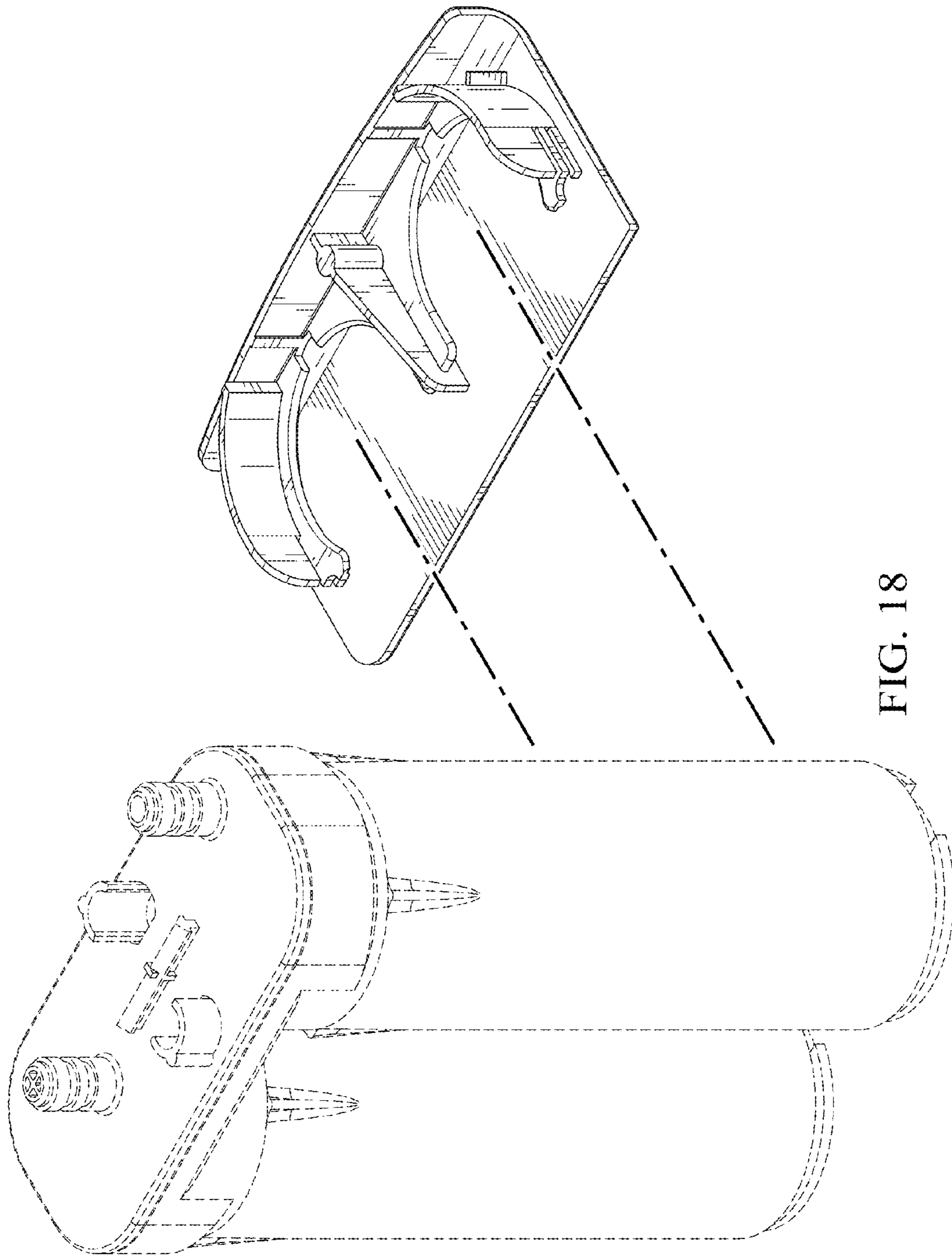


FIG. 18