



US00D752178S

(12) **United States Design Patent**
Mjelde

(10) **Patent No.:** **US D752,178 S**
(45) **Date of Patent:** **** Mar. 22, 2016**

(54) **OZONE GENERATOR FOR SWIMMING
POOL FILTERS**

(71) Applicant: **Olaf Mjelde**, Ventura, CA (US)

(72) Inventor: **Olaf Mjelde**, Ventura, CA (US)

(**) Term: **14 Years**

(21) Appl. No.: **29/507,104**

(22) Filed: **Oct. 23, 2014**

(51) **LOC (10) Cl.** **23-01**

(52) **U.S. Cl.**
USPC **D23/208**

(58) **Field of Classification Search**
USPC D23/207, 208, 209; 210/167.11, 760
CPC C01B 13/11
See application file for complete search history.

(56) **References Cited**

U.S. PATENT DOCUMENTS

D273,412 S * 4/1984 Johnson D23/207
D333,505 S * 2/1993 Matsumura D23/200
6,331,279 B1 * 12/2001 Martin C02F 1/78
210/760
D456,877 S * 5/2002 Wilder D23/209

D468,798 S * 1/2003 Wilder D23/209
D557,373 S * 12/2007 Terada D23/207
D644,711 S * 9/2011 Kassir D23/207
9,079,773 B2 * 7/2015 Fujita C01B 13/11
9,102,536 B2 * 8/2015 Cannavino C01B 13/11

* cited by examiner

Primary Examiner — Robin V Webster

(74) *Attorney, Agent, or Firm* — Robert J. Lauson; Lauson & Tarver LLP

(57) **CLAIM**

I claim the ornamental design for an ozone generator for swimming pool filters, as shown and described.

DESCRIPTION

FIG. 1 is a perspective view of an ozone generator for swimming pool filters.

FIG. 2 is a right side view thereof.

FIG. 3 is a left side view thereof.

FIG. 4 is a top view thereof.

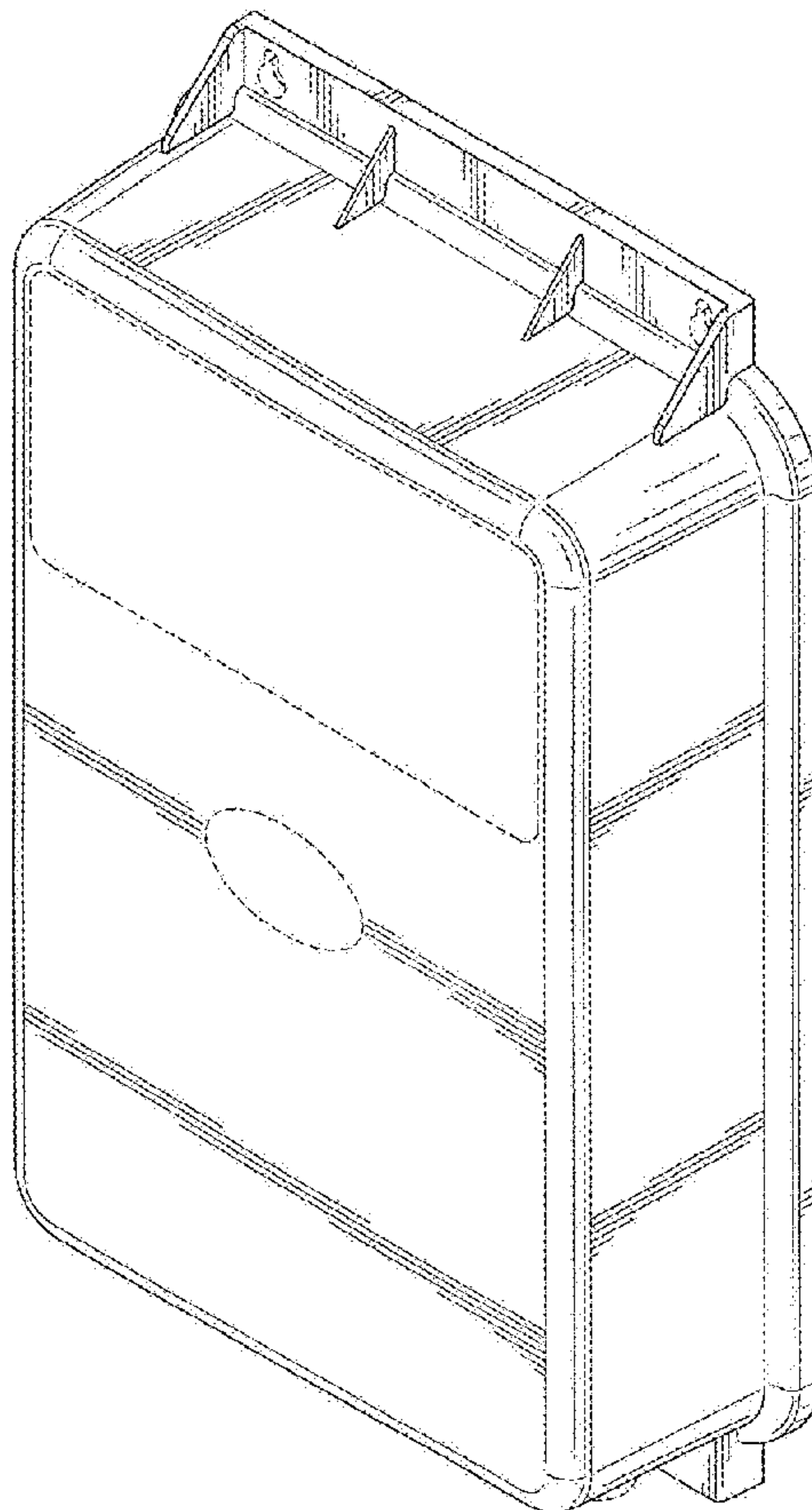
FIG. 5 is a bottom view thereof; and,

FIG. 6 is a front view thereof.

The back view forms no part of the design and is omitted.

Portions of the drawings shown in broken line are for illustrative purposes only and form no part of the claimed design.

1 Claim, 3 Drawing Sheets



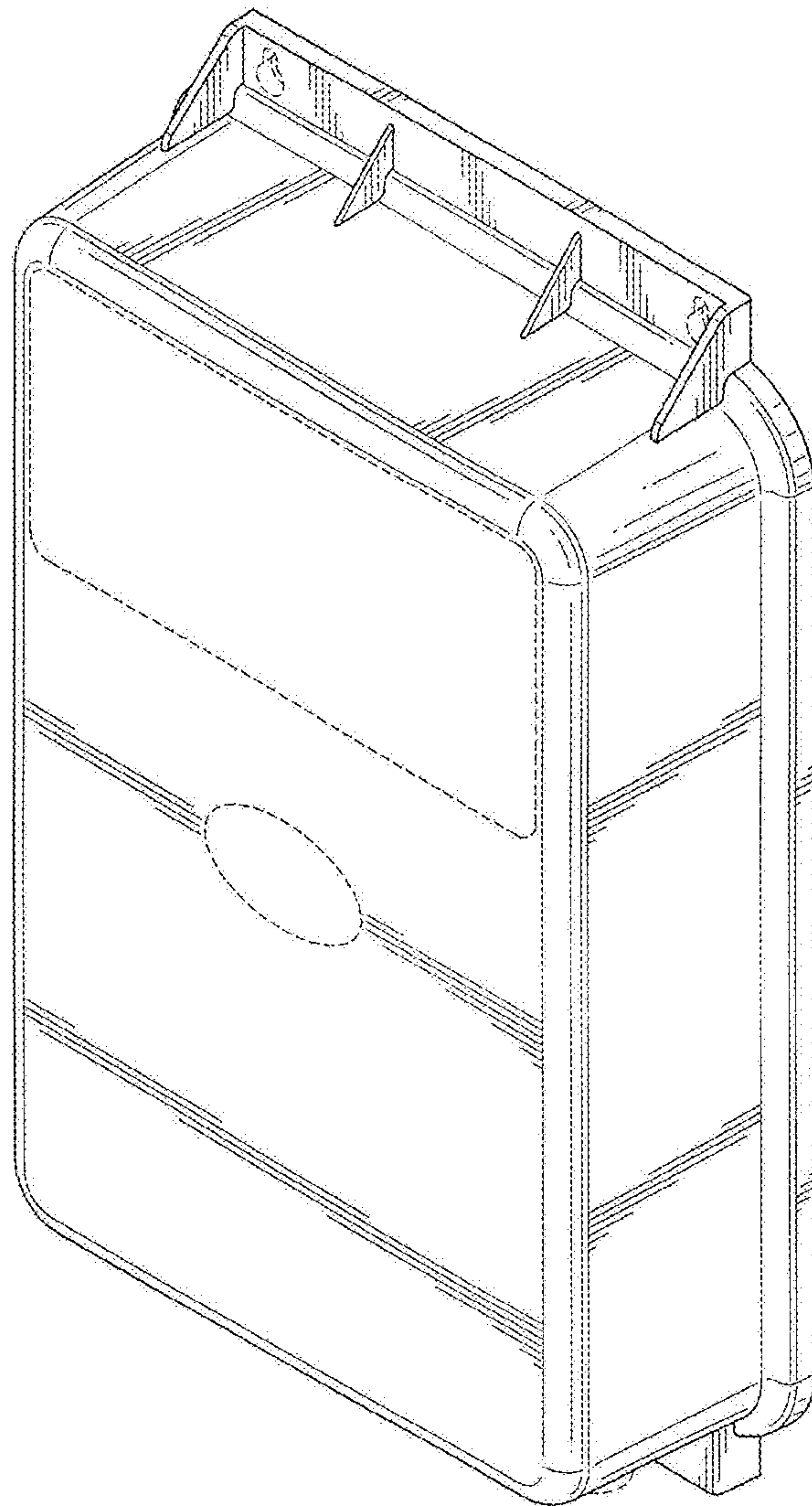


FIG. 1

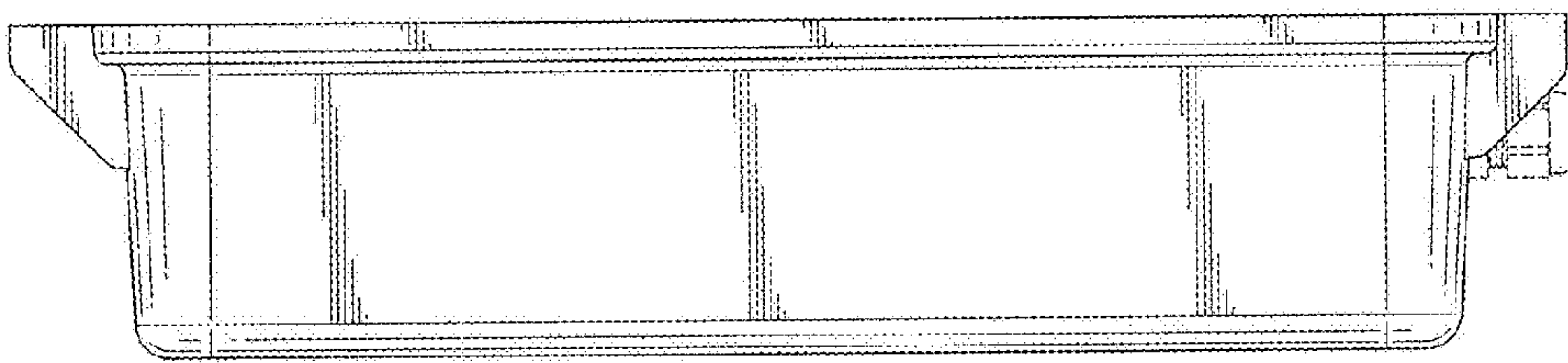


FIG. 2

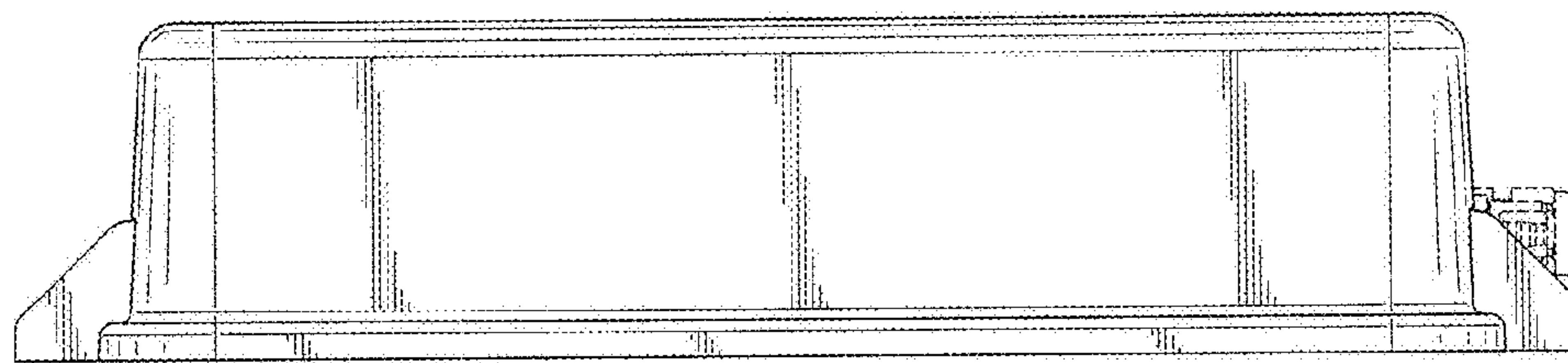


FIG. 3

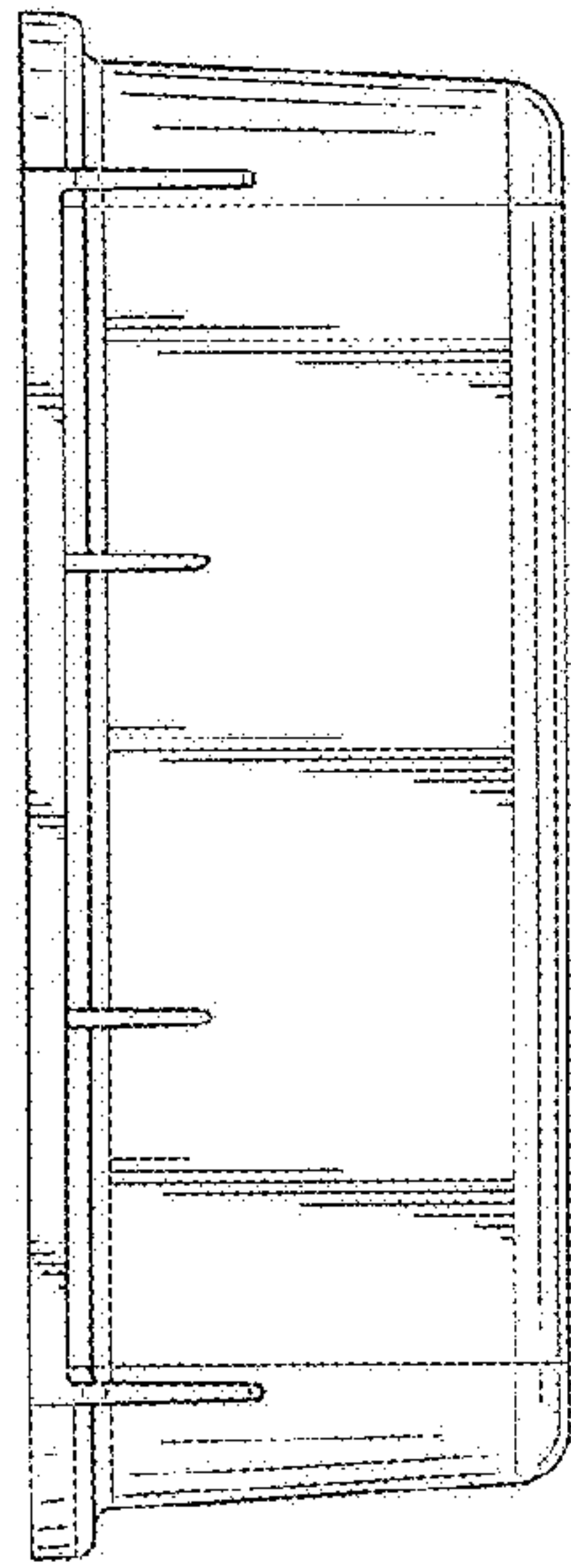


FIG. 4

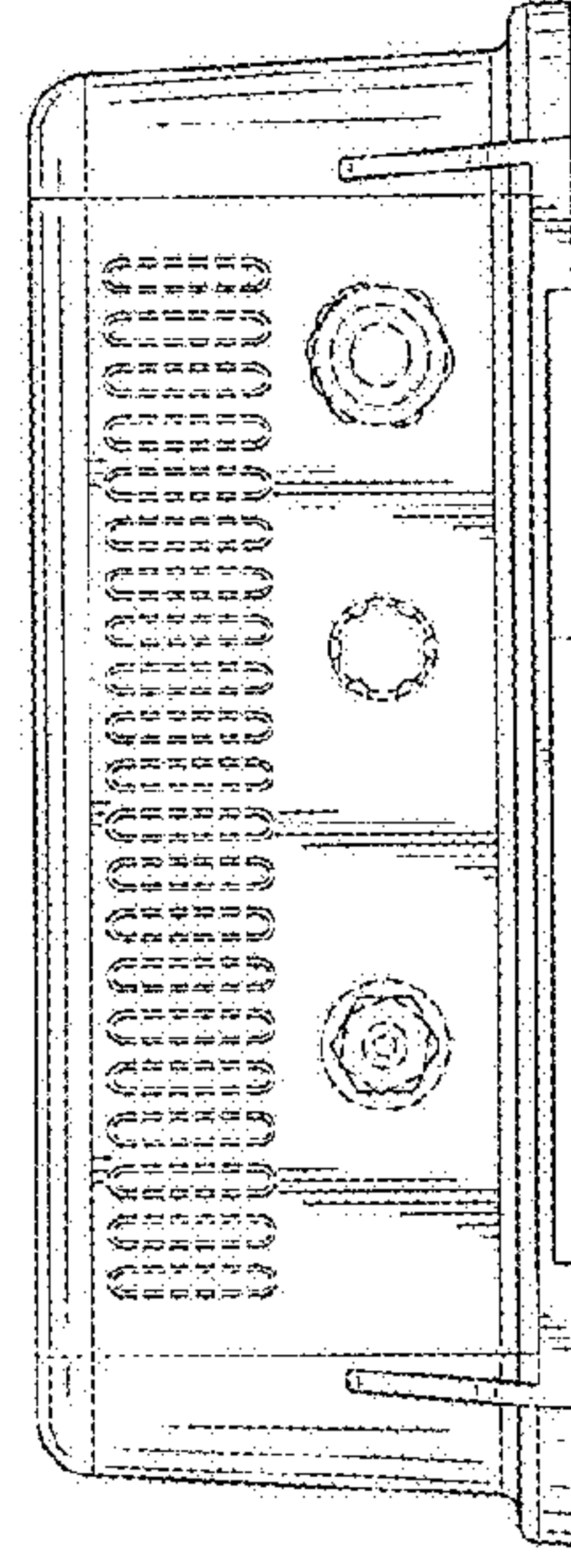


FIG. 5

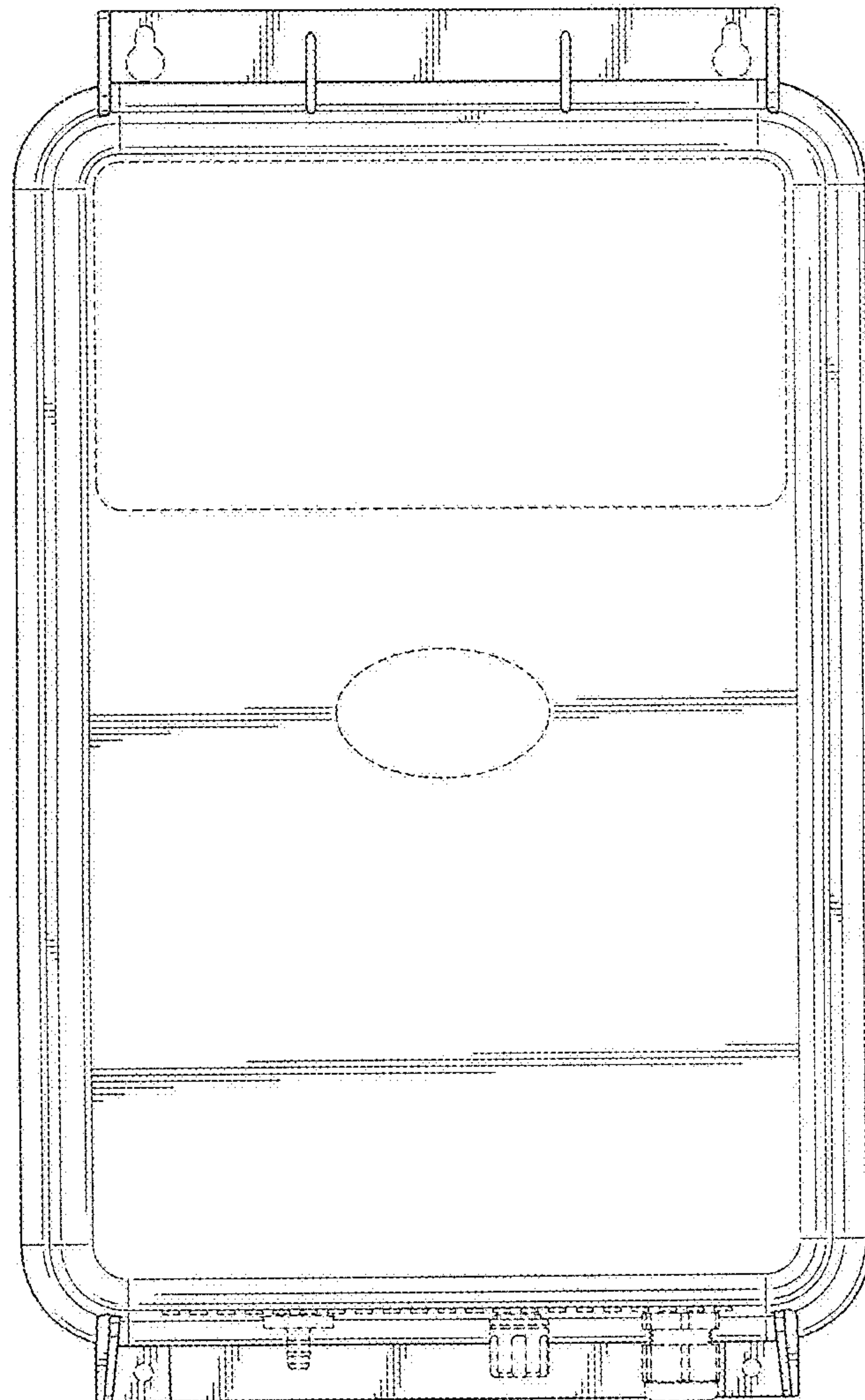


FIG. 6