



US00D752177S

(12) **United States Design Patent**
Enomoto et al.

(10) **Patent No.:** **US D752,177 S**
(45) **Date of Patent:** **** Mar. 22, 2016**

(54) **CARTRIDGE FOR A WATER PURIFIER**

(71) Applicant: **NOK CORPORATION**, Tokyo (JP)

(72) Inventors: **Masami Enomoto**, Shizuoka-ken (JP);
Yusuke Takeuchi, Shizuoka-ken (JP)

(73) Assignee: **Nok Corporation**, Tokyo (JP)

(**) Term: **14 Years**

(21) Appl. No.: **29/513,281**

(22) Filed: **Dec. 30, 2014**

(30) **Foreign Application Priority Data**

Jul. 4, 2014 (JP) 2014-014733
Jul. 4, 2014 (JP) 2014-014734

(51) **LOC (10) Cl.** **23-01**

(52) **U.S. Cl.**
USPC **D23/207**

(58) **Field of Classification Search**

USPC D23/207, 209; 210/232, 282, 238
CPC B01D 35/30; C02F 1/003
See application file for complete search history.

(56) **References Cited**

U.S. PATENT DOCUMENTS

D254,145 S * 2/1980 Wilcock D23/209
D404,797 S * 1/1999 Jameson D23/209
D410,274 S * 5/1999 Bradshaw D23/209
5,997,734 A * 12/1999 Koski B01D 35/143
210/100
D441,421 S * 5/2001 Aldred D23/209
6,325,929 B1 * 12/2001 Bassett B01D 61/18
210/238
D496,986 S * 10/2004 King D23/209
D547,820 S * 7/2007 Fraser D23/207
D570,951 S * 6/2008 Morita D23/209
D594,088 S * 6/2009 Pritchard D23/207
D609,775 S * 2/2010 Zukor D23/209

D696,745 S * 12/2013 Hammerback D23/209
D716,909 S * 11/2014 Hammarback D23/209
D717,396 S * 11/2014 Hammarback D23/209
D717,397 S * 11/2014 Hammarback D23/209
D717,912 S * 11/2014 Huda D23/209

FOREIGN PATENT DOCUMENTS

JP 1229511 2/2005
JP 1282579 10/2006
JP 1294941 2/2007
JP 1397420 9/2010
JP 1488927 1/2014

* cited by examiner

Primary Examiner — Robin V Webster

(74) *Attorney, Agent, or Firm* — Caesar Rivise, PC

(57) **CLAIM**

The ornamental design for a cartridge for a water purifier, as shown and described.

DESCRIPTION

FIG. 1 is a front perspective view of a first embodiment of a cartridge for a water purifier showing our new design;
FIG. 2 is a rear perspective view thereof;
FIG. 3 is a front view thereof, the rear view being a mirror image of FIG. 3 and the top and bottom views being identical to FIG. 3;
FIG. 4 is a right side view thereof;
FIG. 5 is a left side view thereof;
FIG. 6 is a cross-sectional view taken along line 6-6 in FIG. 3;
FIG. 7 is a front perspective view of a second embodiment of a cartridge for a water purifier showing our new design;
FIG. 8 is a rear perspective view thereof;
FIG. 9 is a front view thereof, the rear view being a mirror image of FIG. 9 and the top and bottom views being identical to FIG. 9;
FIG. 10 is a right side view thereof;
FIG. 11 is a left side view thereof; and,
FIG. 12 is a cross-sectional view taken along line 12-12 in FIG. 3.

1 Claim, 12 Drawing Sheets

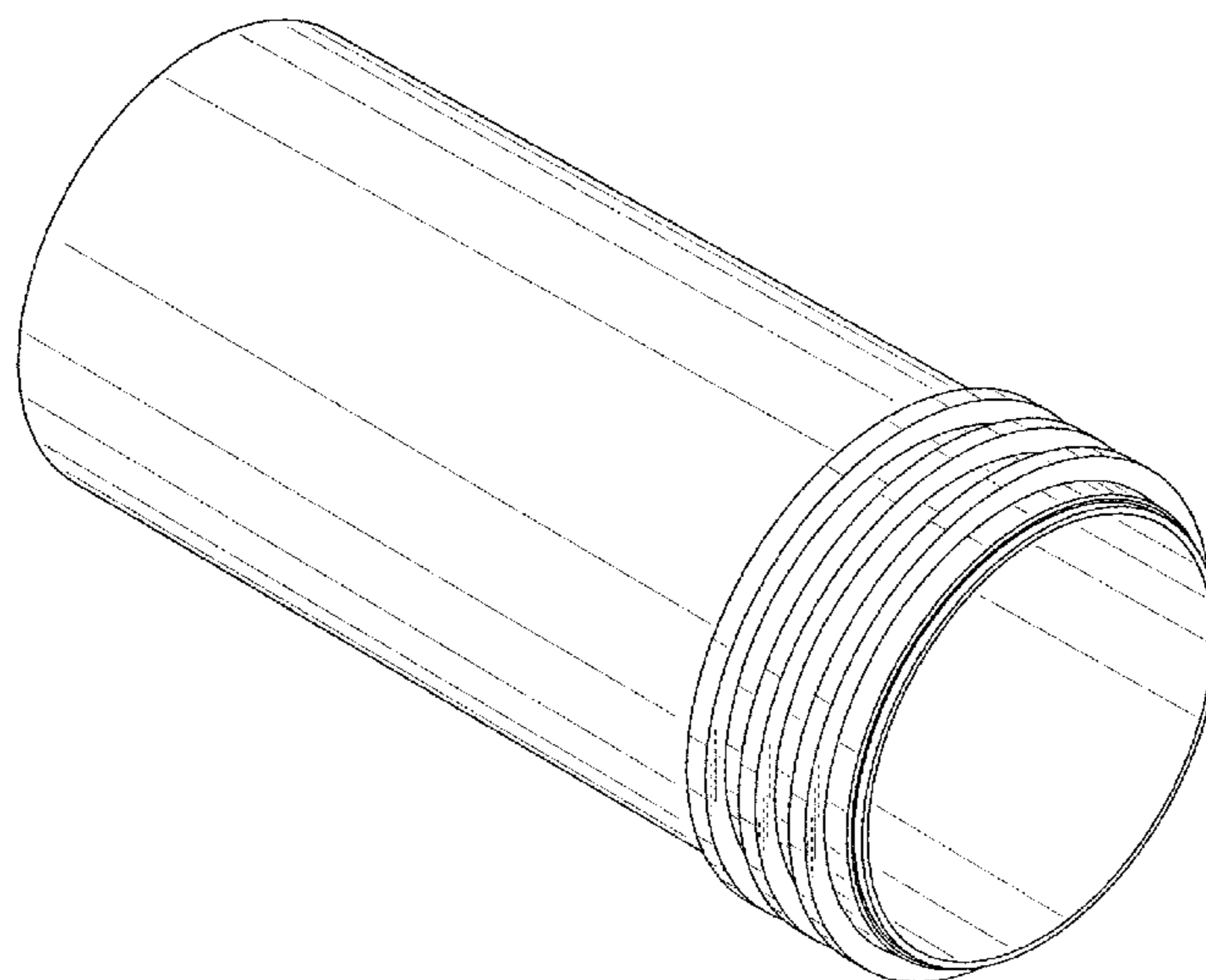


FIG. 1

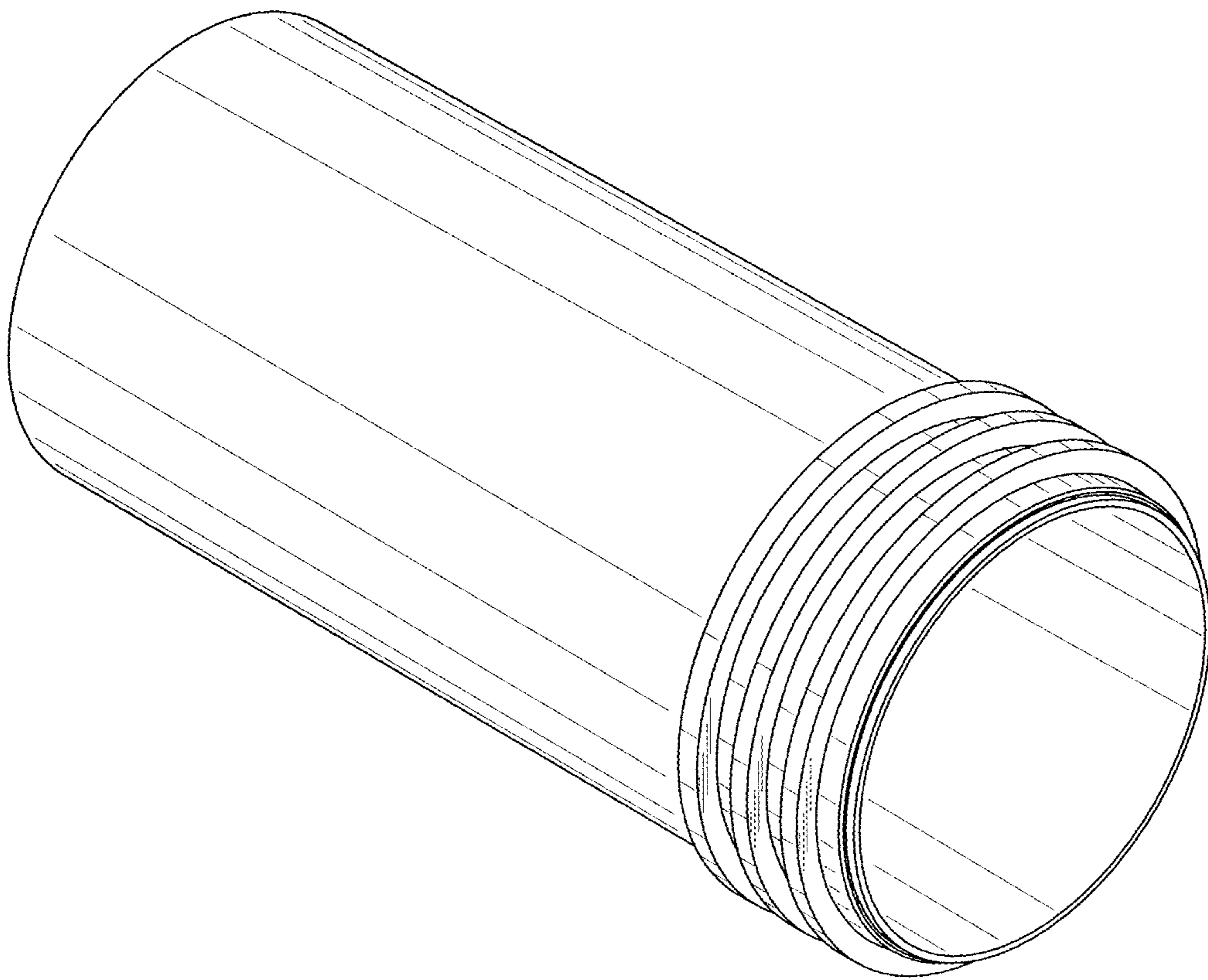


FIG. 2

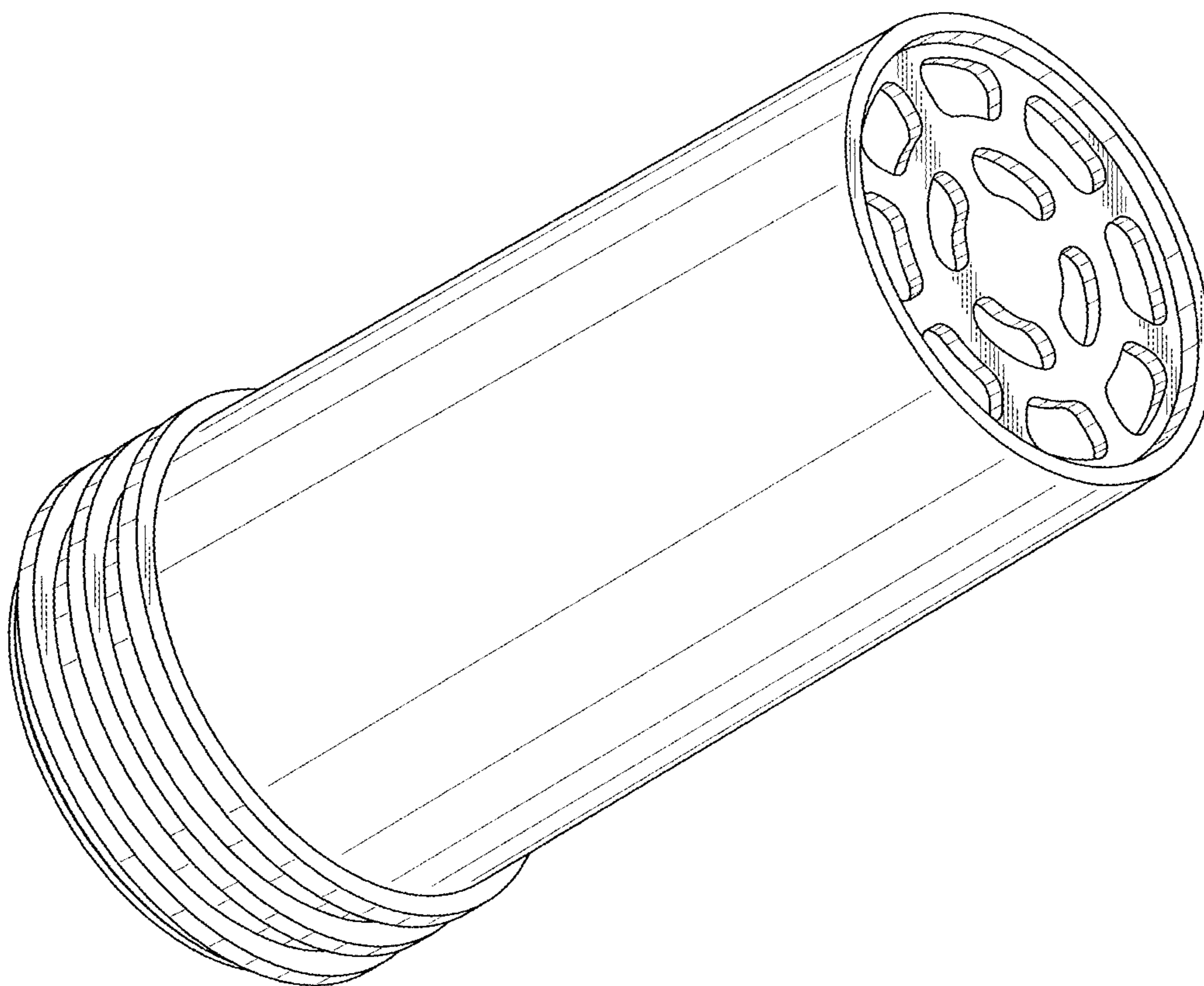


FIG. 3

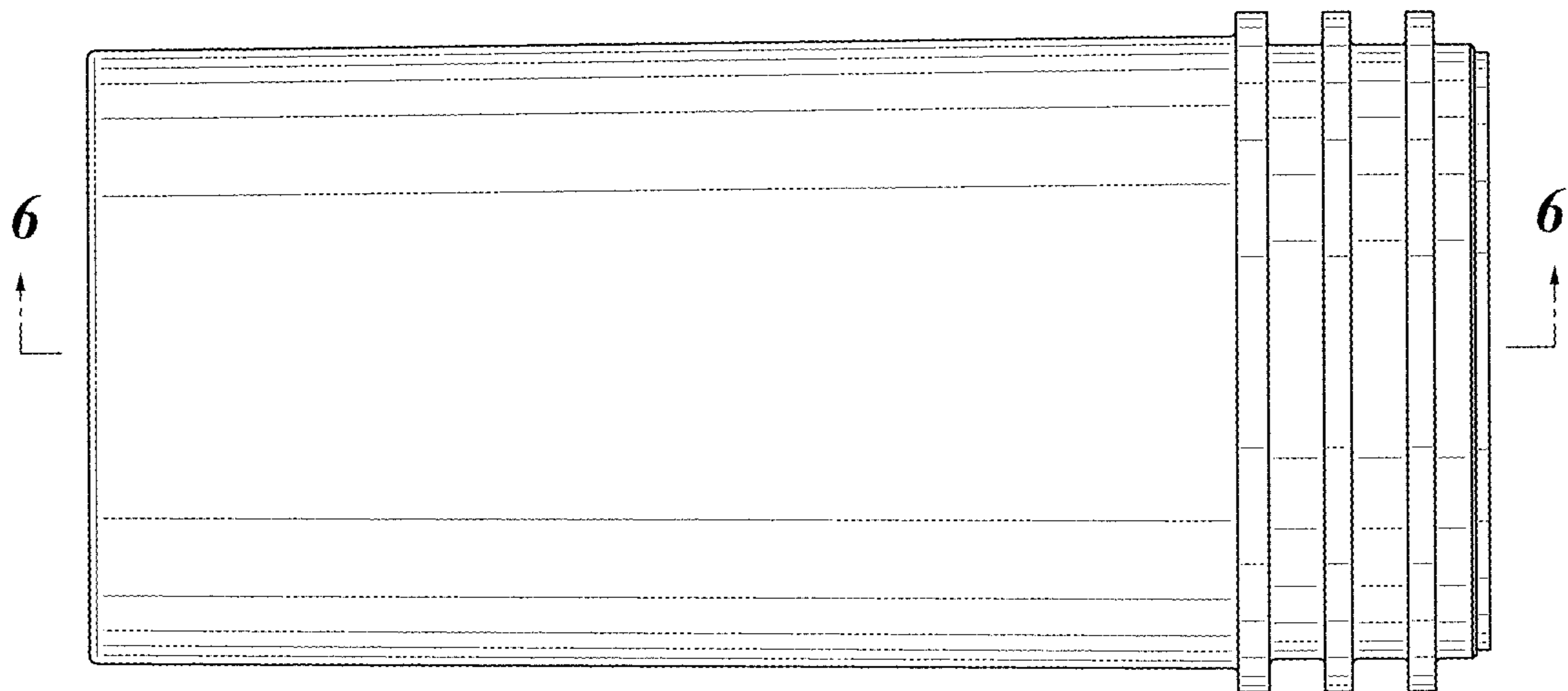


FIG. 4

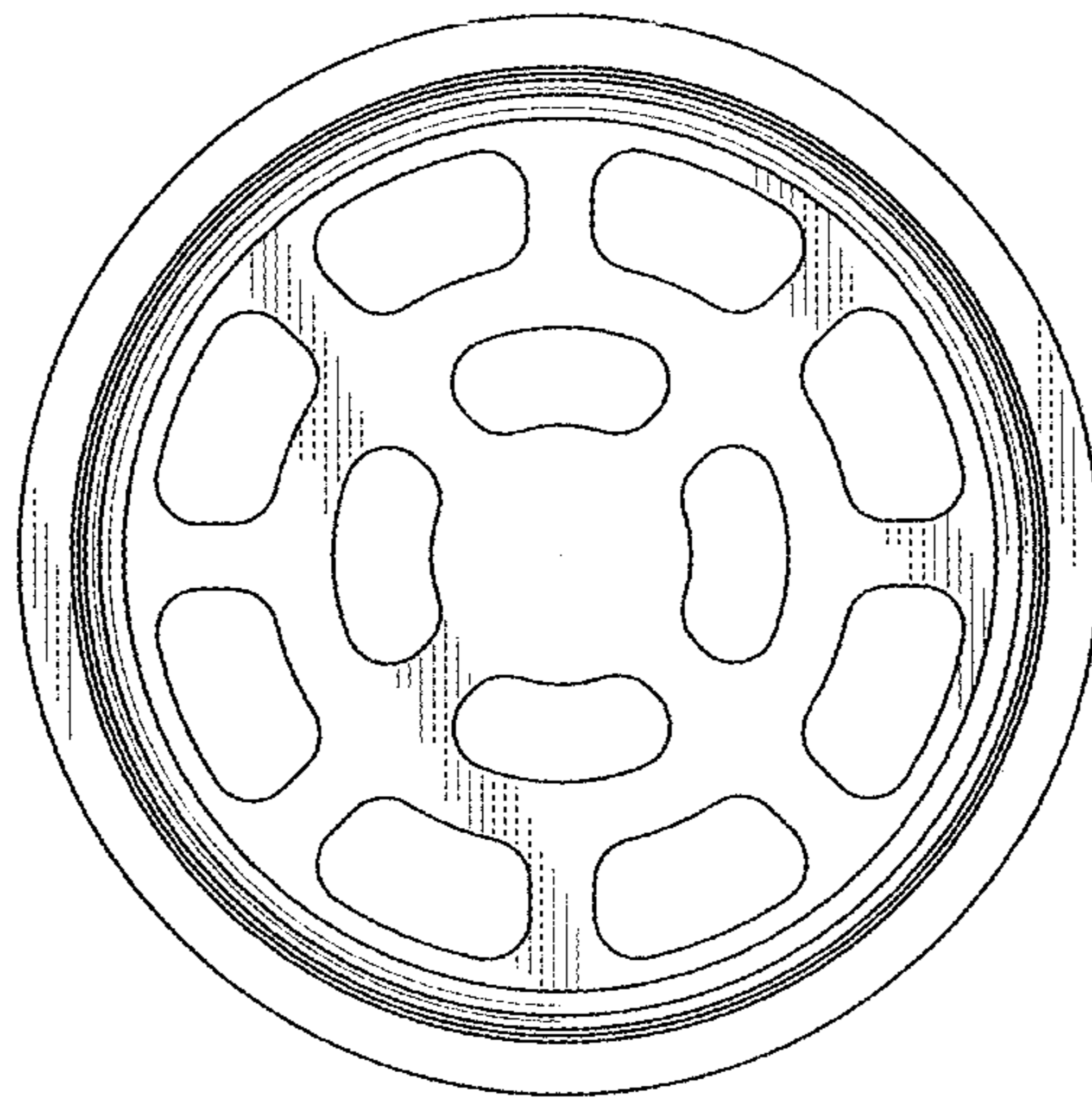


FIG. 5

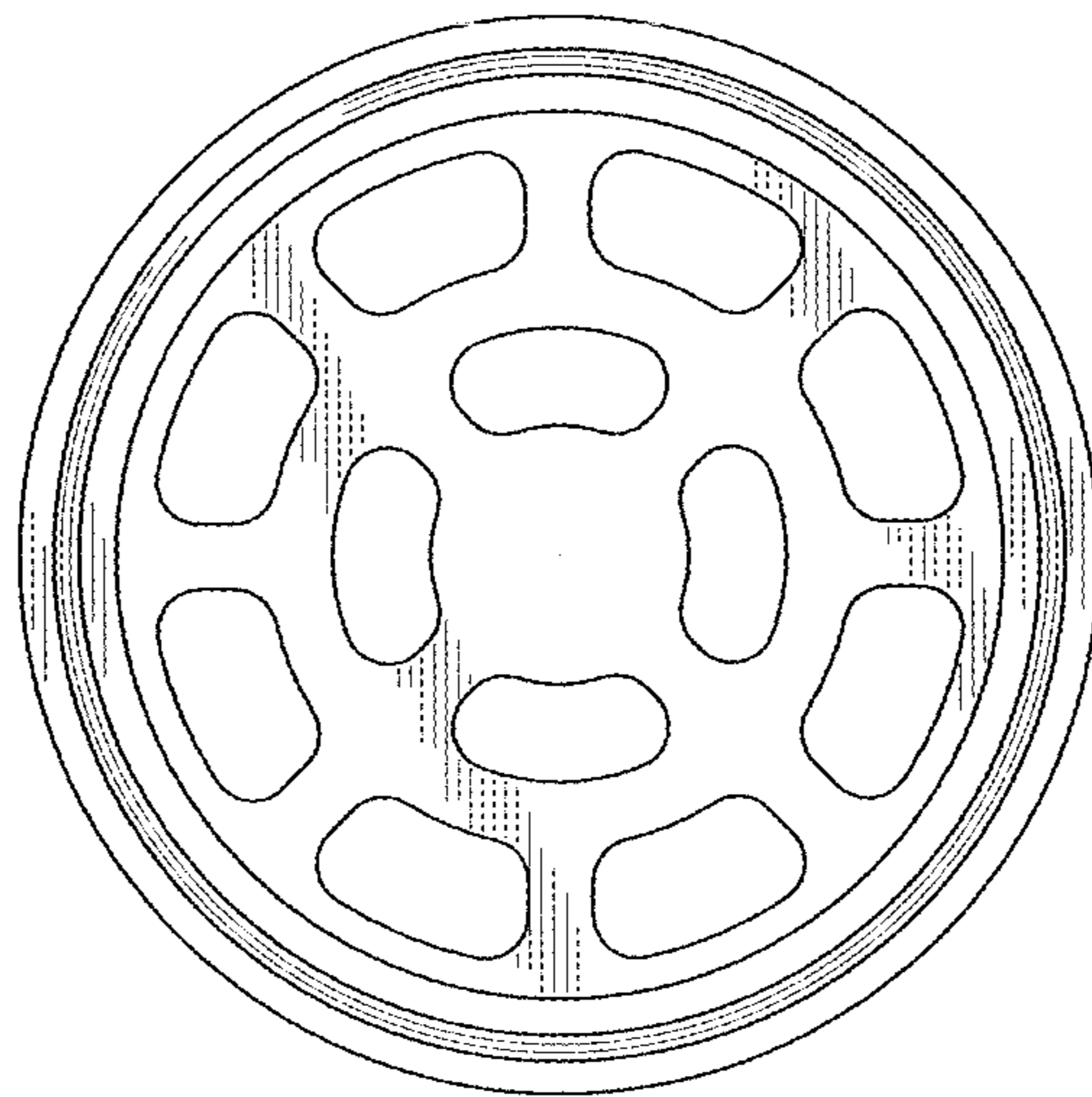


FIG. 6

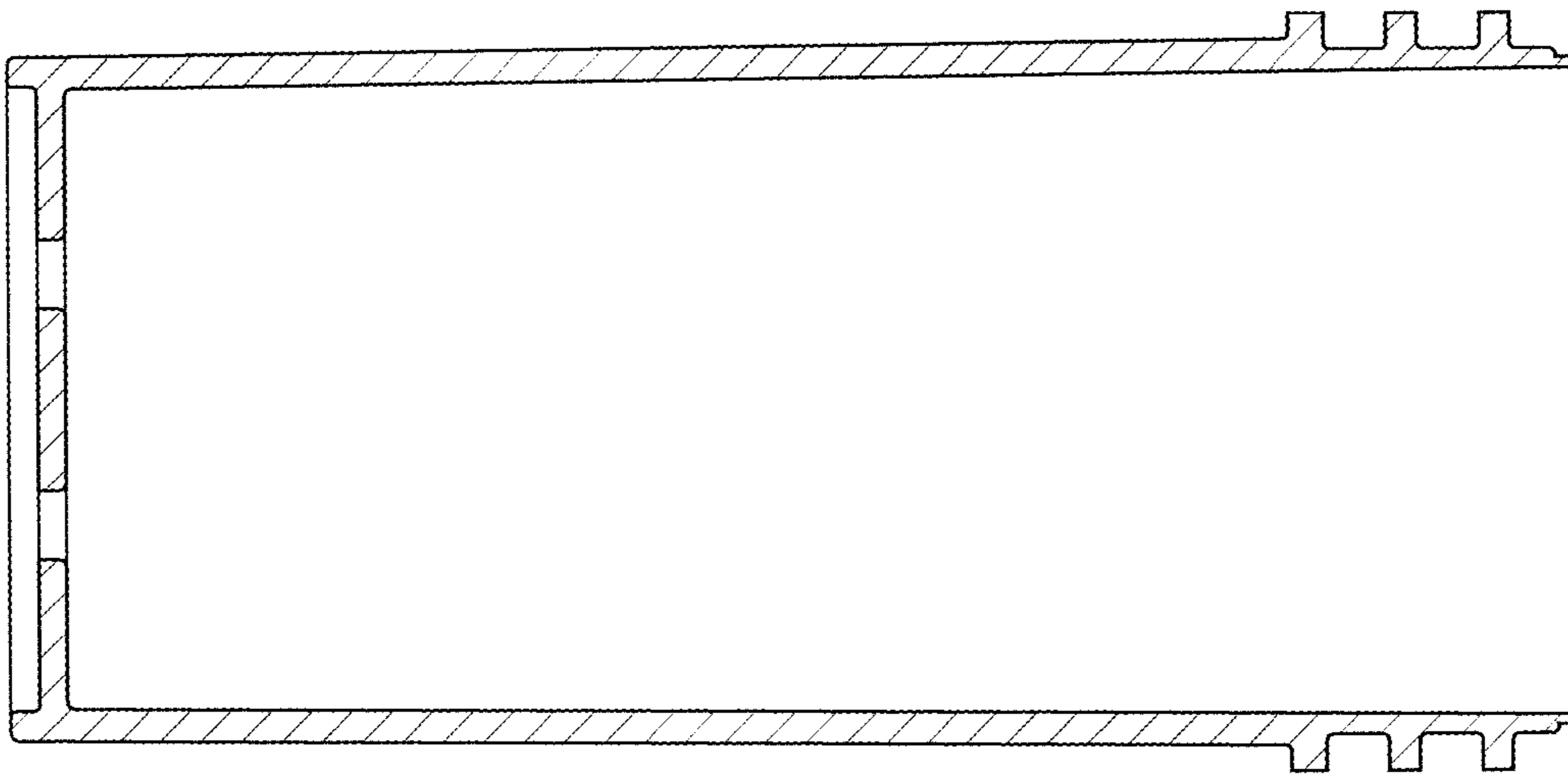
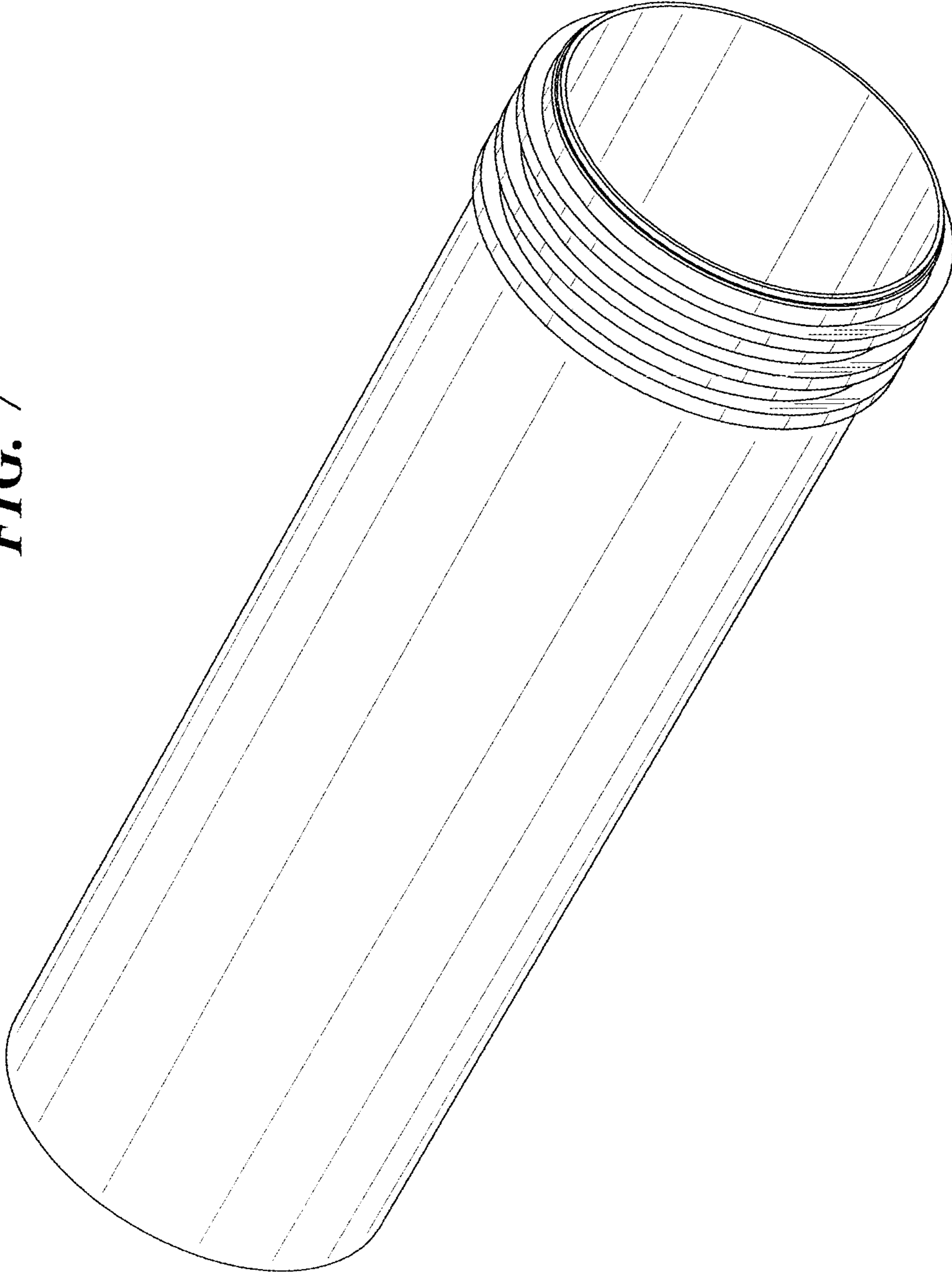


FIG. 7



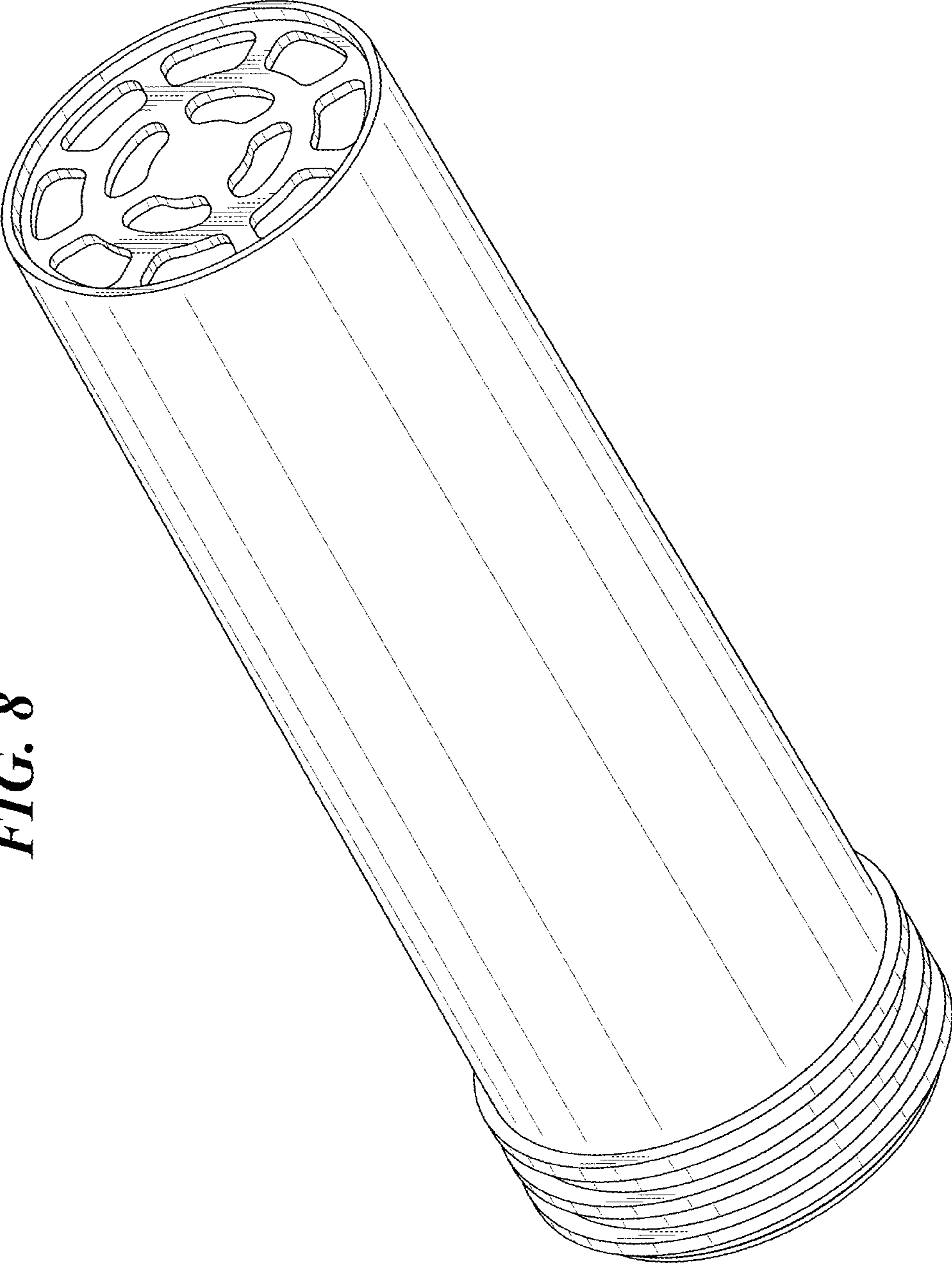


FIG. 8

FIG. 9

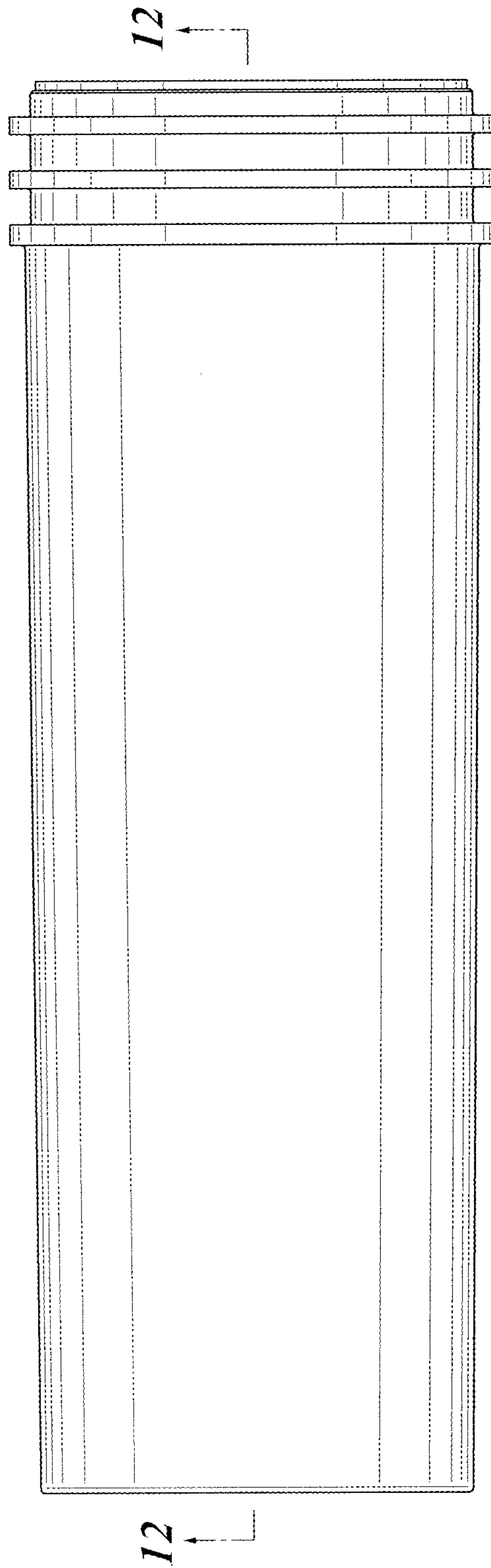


FIG. 10

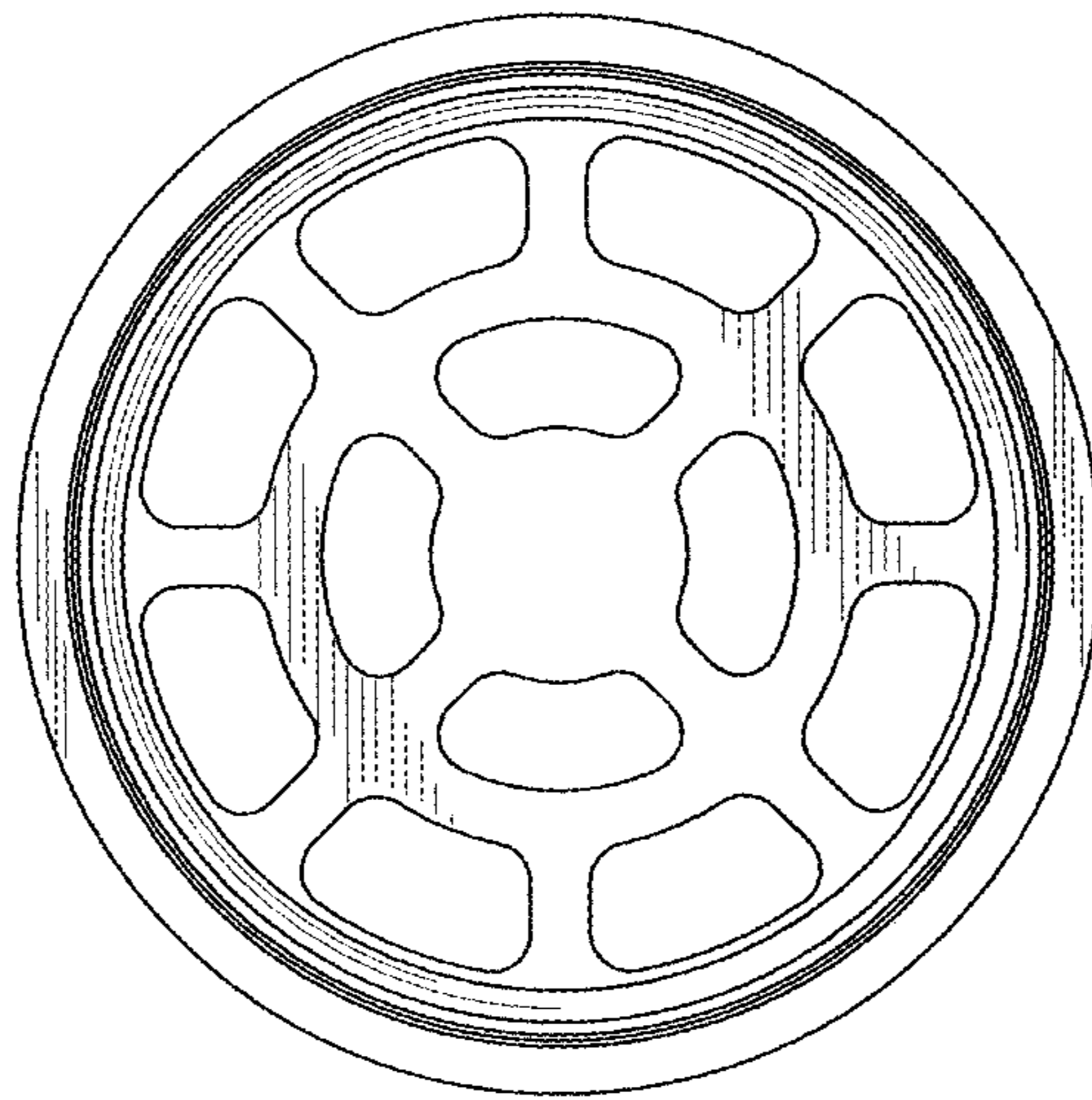


FIG. 11

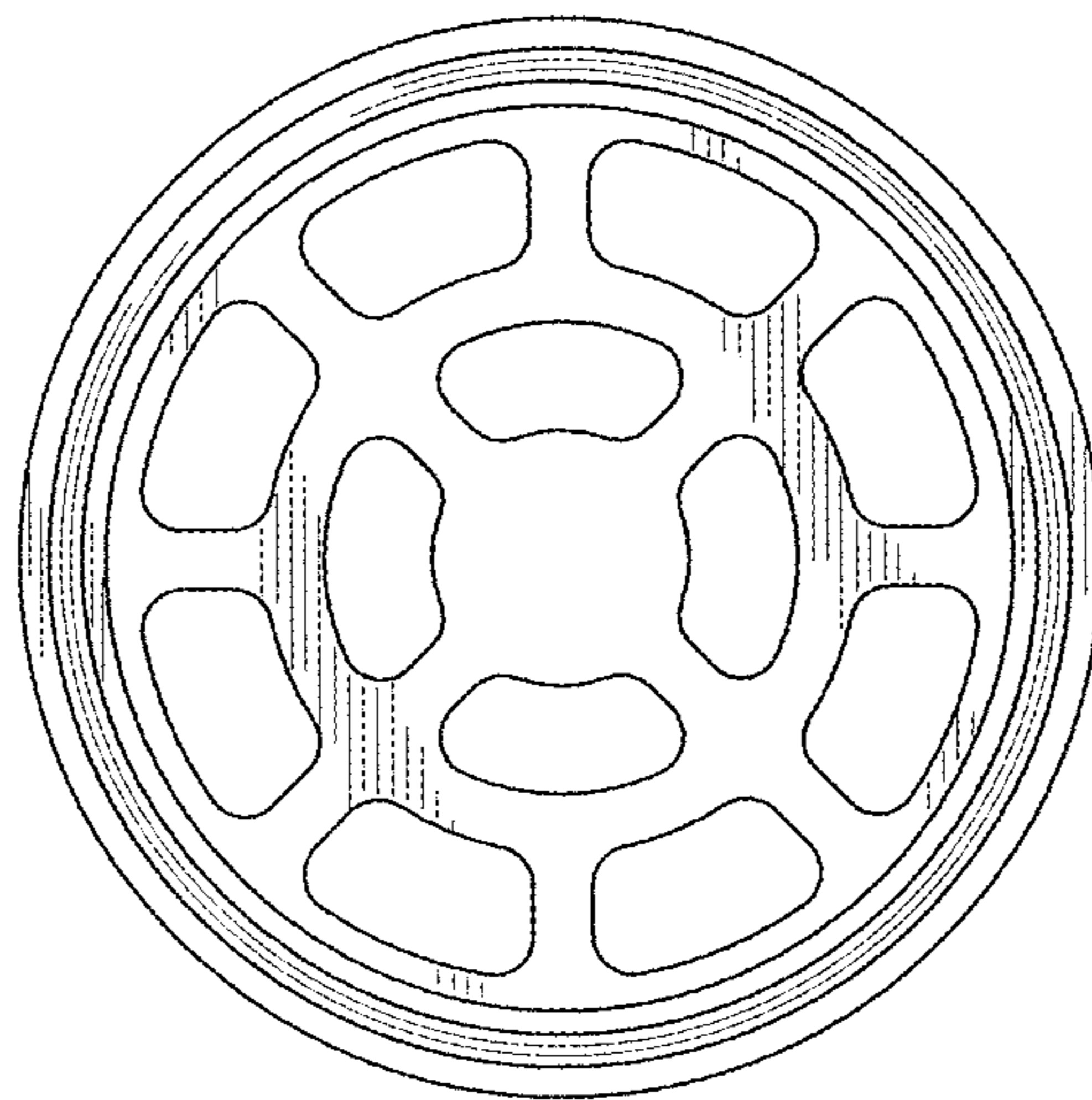


FIG. 12

