



US00D752175S

(12) **United States Design Patent**
Eyring et al.

(10) **Patent No.:** **US D752,175 S**
(45) **Date of Patent:** **** Mar. 22, 2016**

(54) **ANIMAL DETERRENT DEVICE**

(71) Applicant: **Orbit Irrigation Products, Inc.**, North Salt Lake, UT (US)

(72) Inventors: **Stuart Eyring**, Bountiful, UT (US);
Karl L. Connolly, Brigham City, UT (US);
Landon T. Gwilliam, Salt Lake City, UT (US)

(73) Assignee: **Orbit Irrigation Products, Inc.**, North Salt Lake, UT (US)

(**) Term: **14 Years**

(21) Appl. No.: **29/439,373**

(22) Filed: **Dec. 10, 2012**

Related U.S. Application Data

(63) Continuation of application No. 29/413,402, filed on Feb. 15, 2012, now Pat. No. Des. 674,865.

(51) **LOC (10) Cl.** **22-06**

(52) **U.S. Cl.**
USPC **D22/119**

(58) **Field of Classification Search**
USPC D22/119-124; D10/40; 119/718-720,
119/905, 908; 239/68-70; 340/573.2;
362/152, 191, 276

See application file for complete search history.

(56) **References Cited**

U.S. PATENT DOCUMENTS

5,009,192 A 4/1991 Burman
5,458,093 A 10/1995 MacMillan

(Continued)

OTHER PUBLICATIONS

U.S. Appl. No. 13/397,499.

(Continued)

Primary Examiner — Catheri Oliver-Garcia

(74) *Attorney, Agent, or Firm* — Austin Rapp & Hardman

(57) **CLAIM**

The ornamental design for an animal deterrent device, as shown and described.

DESCRIPTION

FIG. 1 is a first elevated perspective view of a first embodiment of an animal deterrent device, according to our new design;

FIG. 2 is a second elevated perspective view of the animal deterrent device shown in FIG. 1;

FIG. 3 is a rear view of the animal deterrent device shown in FIG. 1;

FIG. 4 is a front view of the animal deterrent device shown in FIG. 1;

FIG. 5 is a first side view of the animal deterrent device shown in FIG. 1;

FIG. 6 is a second side of the animal deterrent device shown in FIG. 1;

FIG. 7 is a top view of the animal deterrent device shown in FIG. 1;

FIG. 8 is a bottom view of the animal deterrent device shown in FIG. 1;

FIG. 9 is a side view of the animal deterrent device shown in FIG. 1 in a first alternative position;

FIG. 10 is a side view of the animal deterrent device shown in FIG. 1 in a second alternative position;

FIG. 11 is an elevated perspective view of the animal deterrent device shown in FIG. 1 in a third alternative position;

FIG. 12 is a first elevated perspective view of the second embodiment of an animal deterrent device, according to our new design;

FIG. 13 is a second elevated perspective view of the animal deterrent device shown in FIG. 12;

FIG. 14 is a rear view of the animal deterrent device shown in FIG. 12;

FIG. 15 is a front view of the animal deterrent device shown in FIG. 12;

FIG. 16 is a first side view of the animal deterrent device shown in FIG. 12;

FIG. 17 is a second side of the animal deterrent device shown in FIG. 12;

FIG. 18 is a top view of the animal deterrent device shown in FIG. 12;

FIG. 19 is a bottom view of the animal deterrent device shown in FIG. 12;

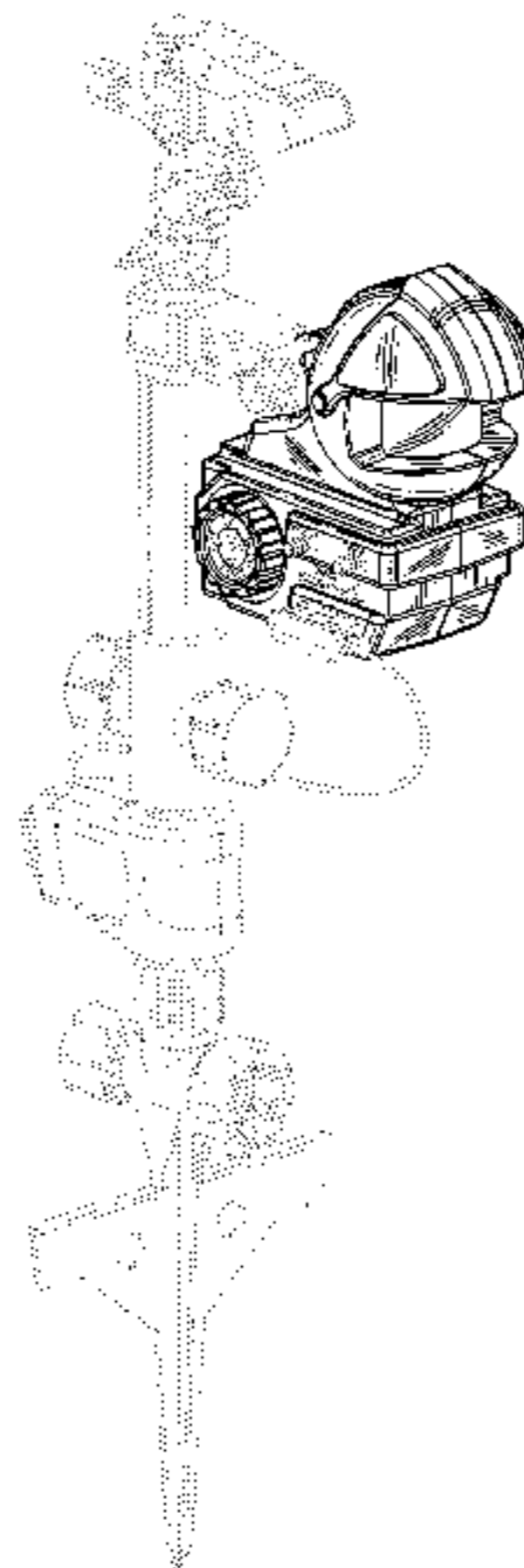
FIG. 20 is a side view of the animal deterrent device shown in FIG. 12 in a first alternative position;

FIG. 21 is a side view of the animal deterrent device shown in FIG. 12 in a second alternative position; and,

FIG. 22 is an elevated perspective view of the animal deterrent device shown in FIG. 12 in a third alternative position.

The portions shown in broken lines form no part of the claimed design.

1 Claim, 18 Drawing Sheets



(56)

References Cited

U.S. PATENT DOCUMENTS

D415,240	S	10/1999	Jackson
6,337,635	B1	1/2002	Ericksen et al.
D460,800	S	7/2002	Jan
6,700,486	B1	3/2004	Banki
7,198,009	B2	4/2007	Crist et al.
7,278,375	B2	10/2007	Ross et al.
D568,958	S	5/2008	Zovar et al.
D642,077	S	7/2011	Nies et al.
D659,029	S	5/2012	Connolly et al.
8,226,260	B2	7/2012	Whalan
D674,865	S	1/2013	Eyring et al.
9,044,770	B1	6/2015	Eyring et al.
2005/0199842	A1	9/2005	Parsons et al.

OTHER PUBLICATIONS

Contech Electronics, Inc. (The product was sold or offered for sale on or before Feb. 14, 2011).

Orbit Irrigation Products, Inc. (The products were sold or offered for sale on or before Nov. 2008).

L.R. Nelson Corp. (The product(s) were sold or offered for sale on or before Feb. 14, 2011).

Supplemental Notice of Allowability for a Design Application (Attachment D), U.S. Appl. No. 29/413,402, Mailed on Sep. 11, 2012.

Notice of Allowance and Fee(s) Due (Attachment E), U.S. Appl. No. 29/413,402, Mailed on Aug. 31, 2012 (Including the Notice of Allowability for a Design Patent Application comprising an examiner's amendment).

Non-Final Office Action (Attachment F), U.S. Appl. No. 13/397,499, Mailed on Jul. 29, 2014.

Applicant-Initiated Interview Summary (Attachment G), U.S. Appl. No. 13/397,499, Mailed on Dec. 26, 2014.

Response to Office Action (Attachment H), U.S. Appl. No. 13/397,499, Submitted on Dec. 29, 2014.

Notice of Allowance and Fee(s) (Attachment I), U.S. Appl. No. 13/397,499, Mailed on Jan. 22, 2015 (Including the Notice of Allowability).

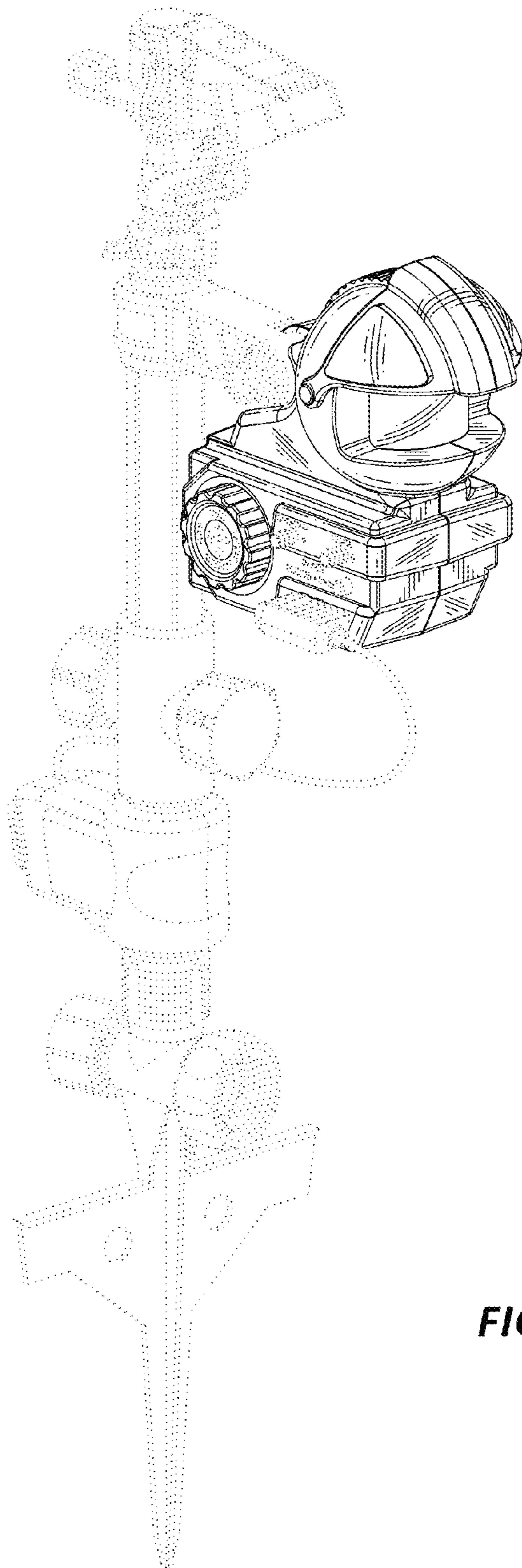


FIG. 1

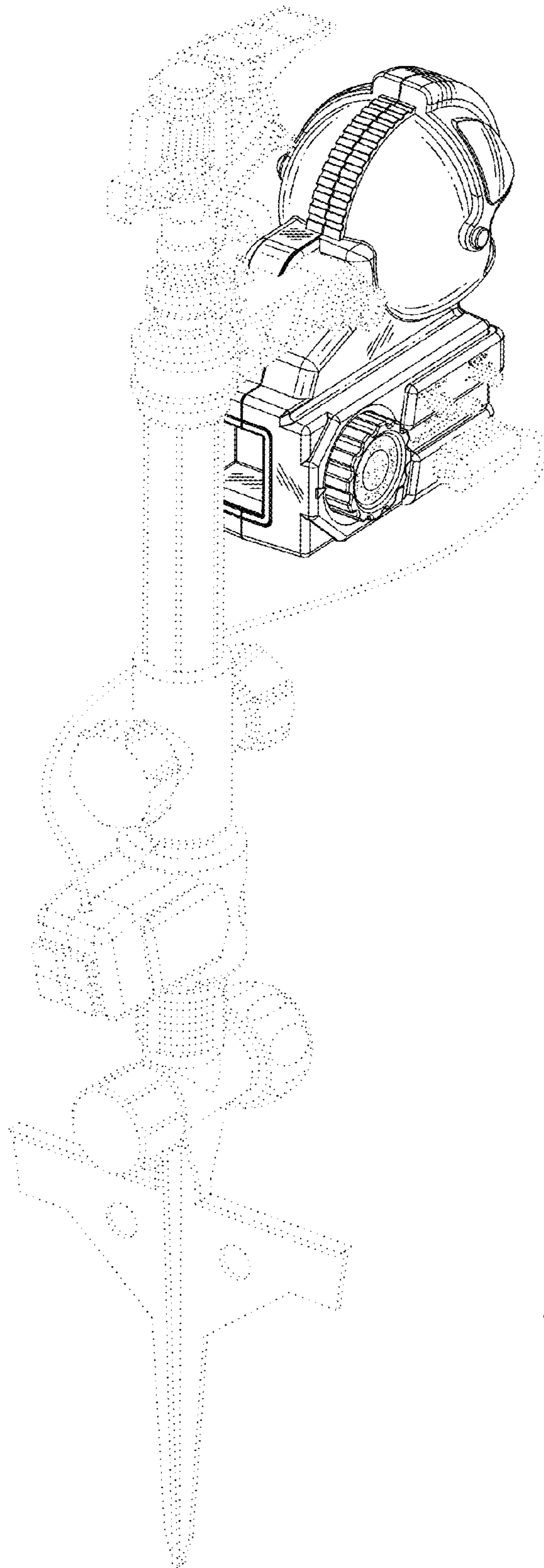
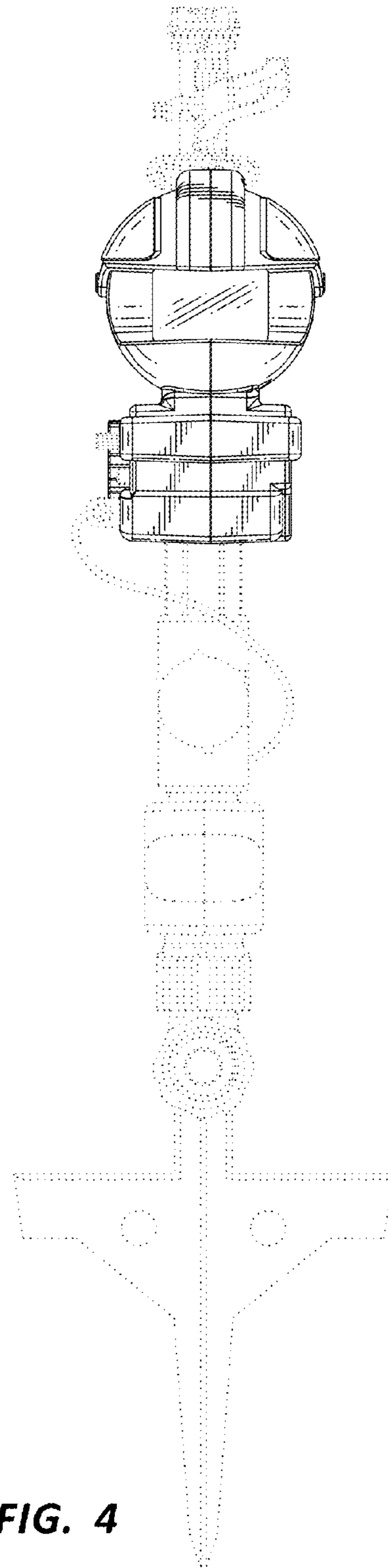
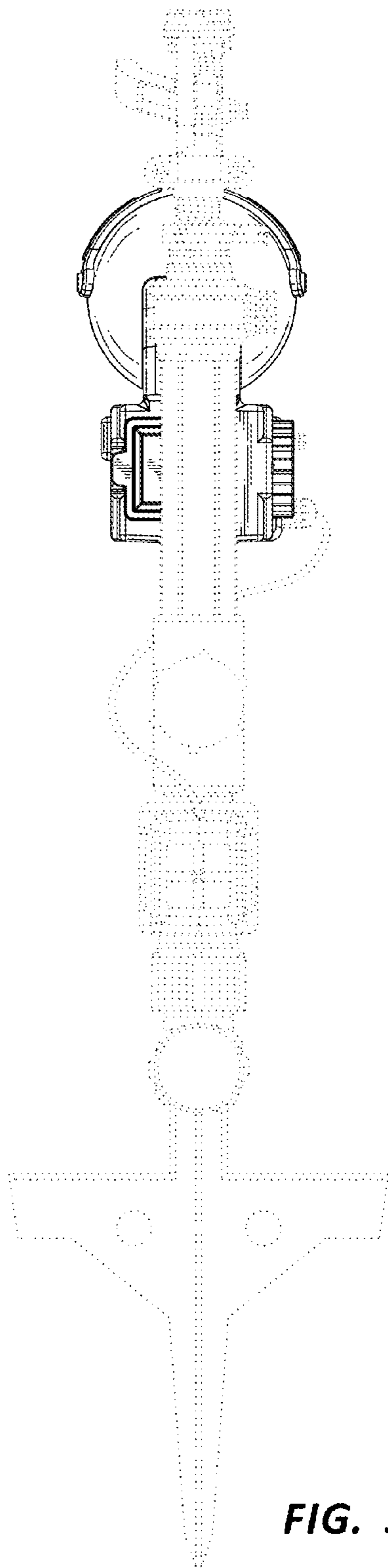
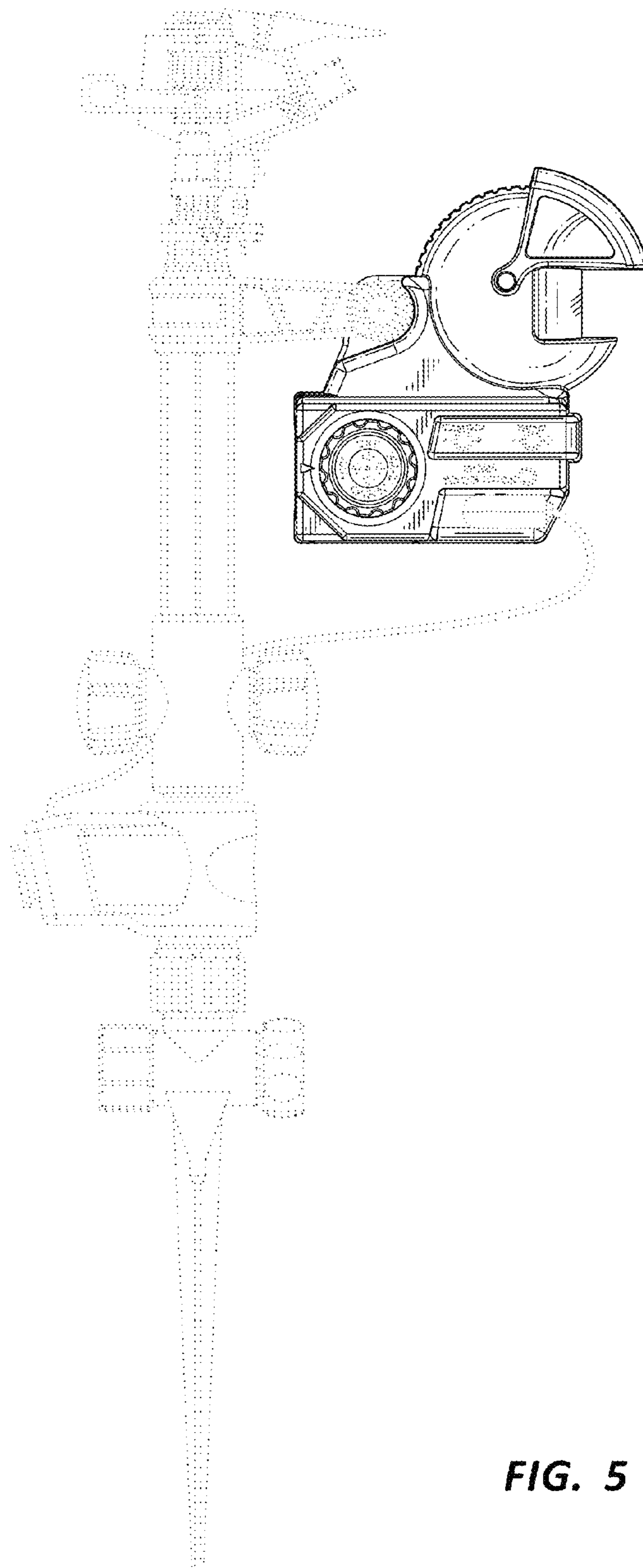


FIG. 2





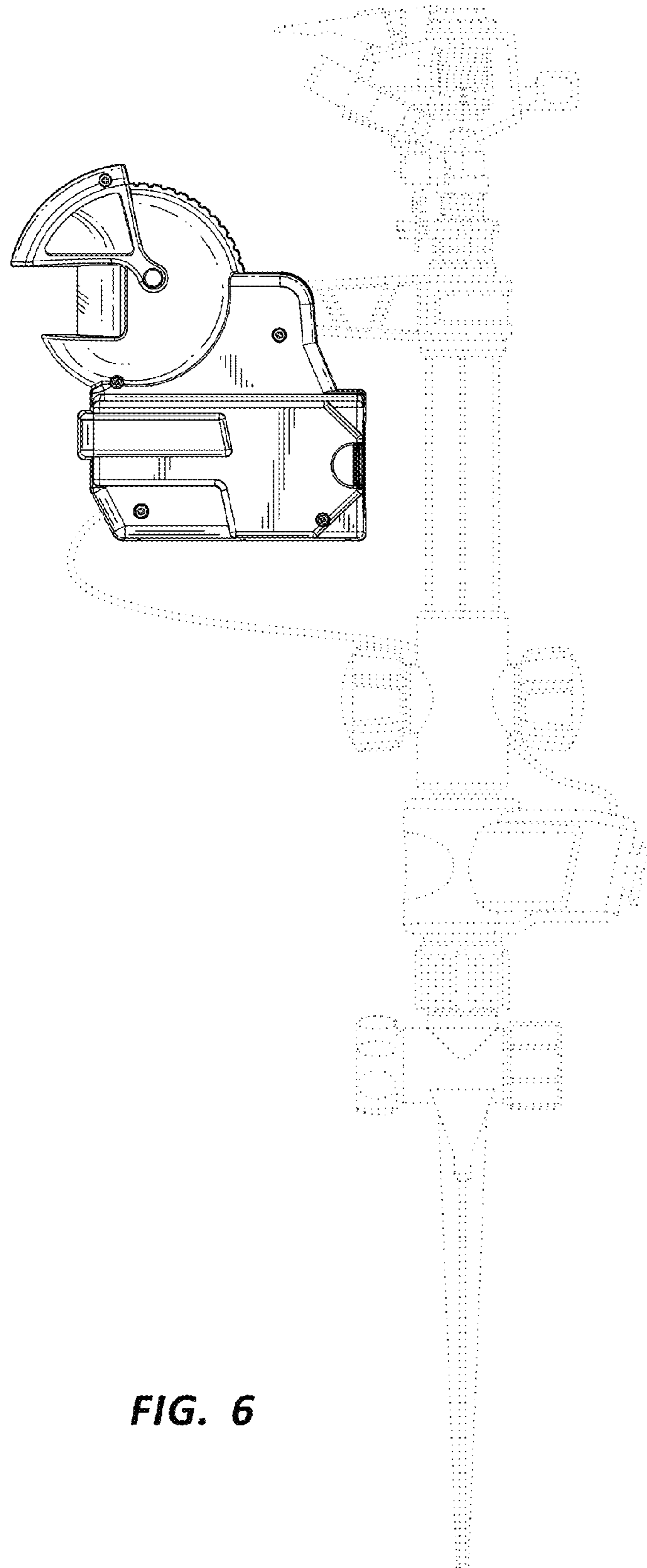


FIG. 6

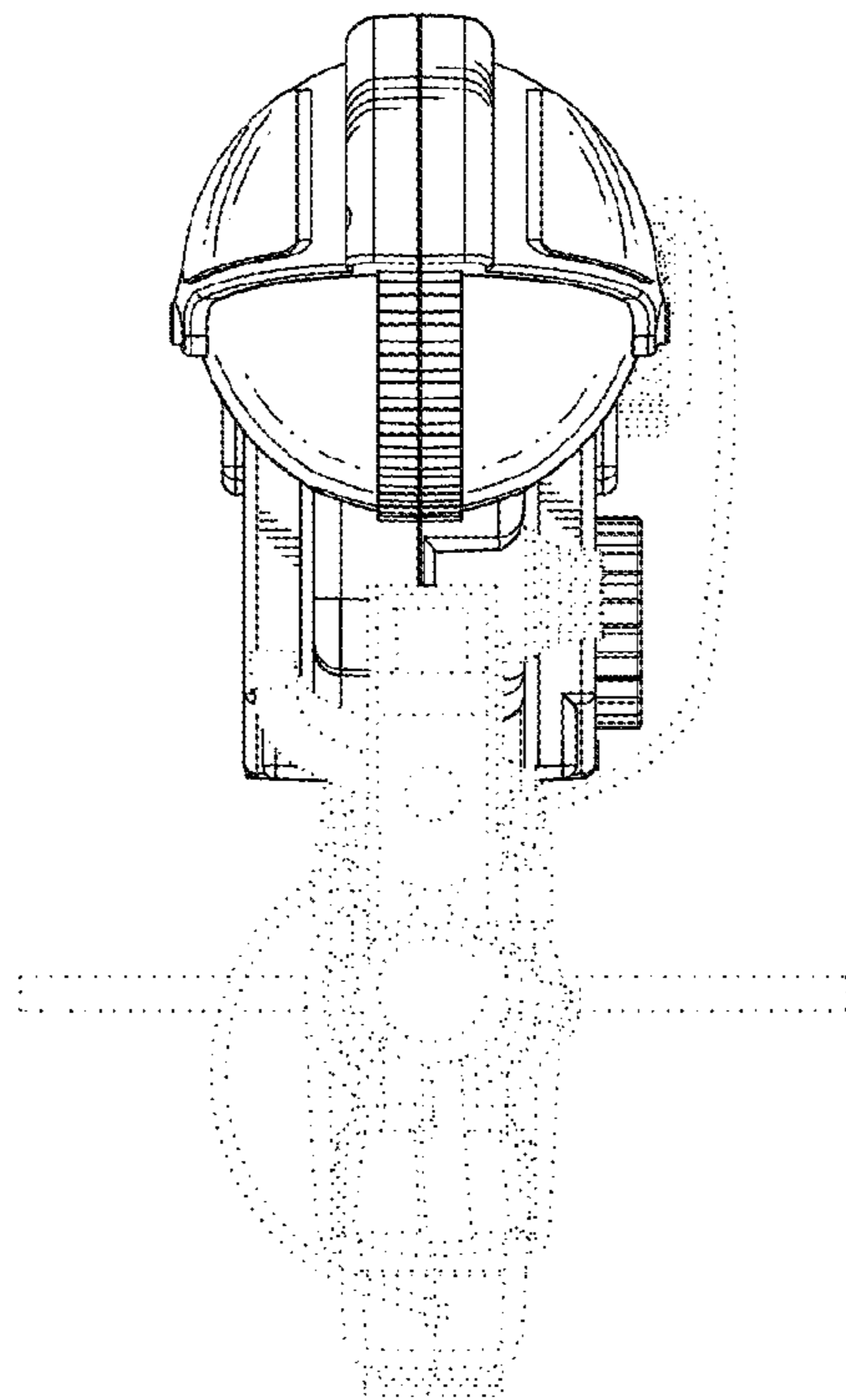


FIG. 7

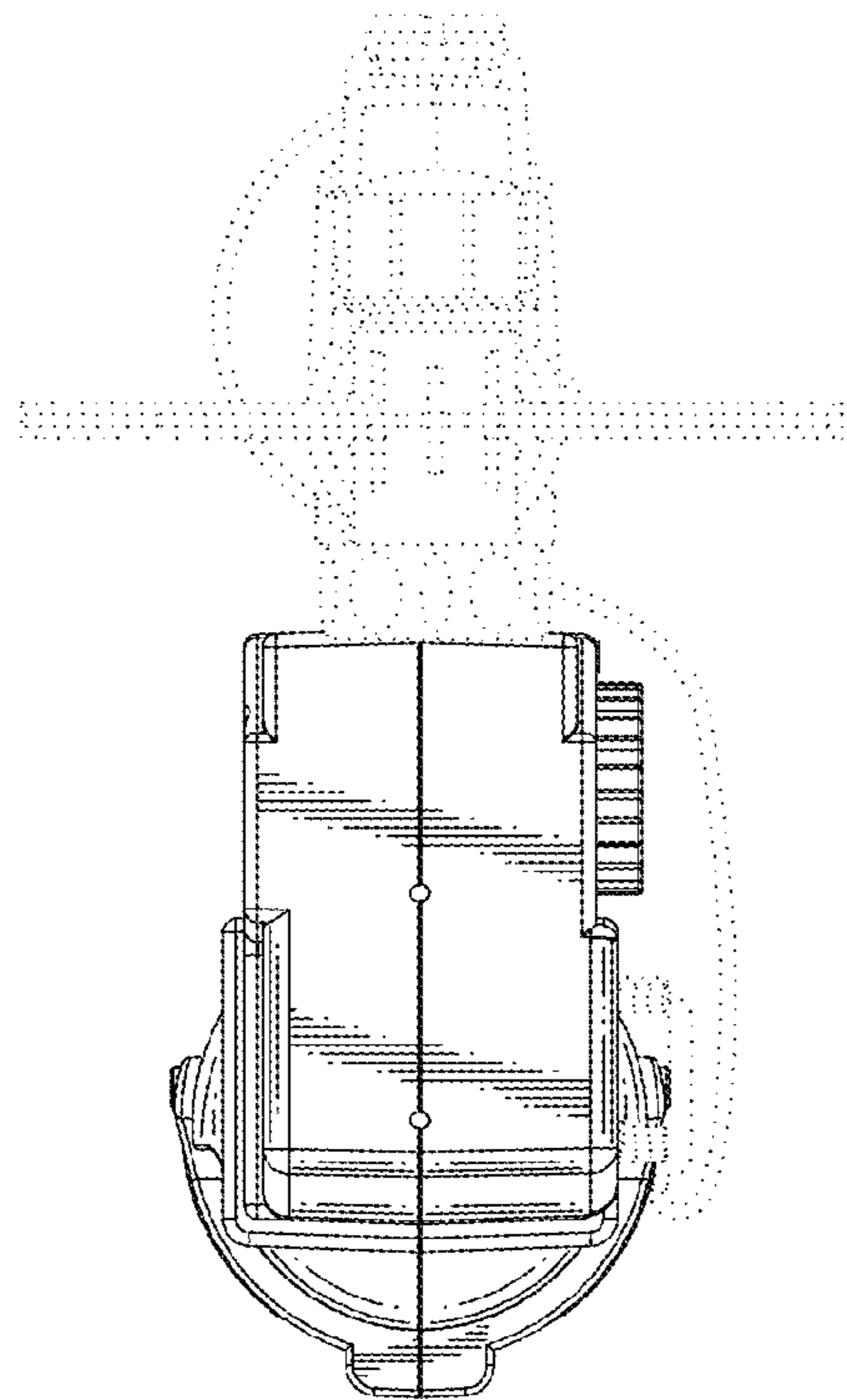


FIG. 8

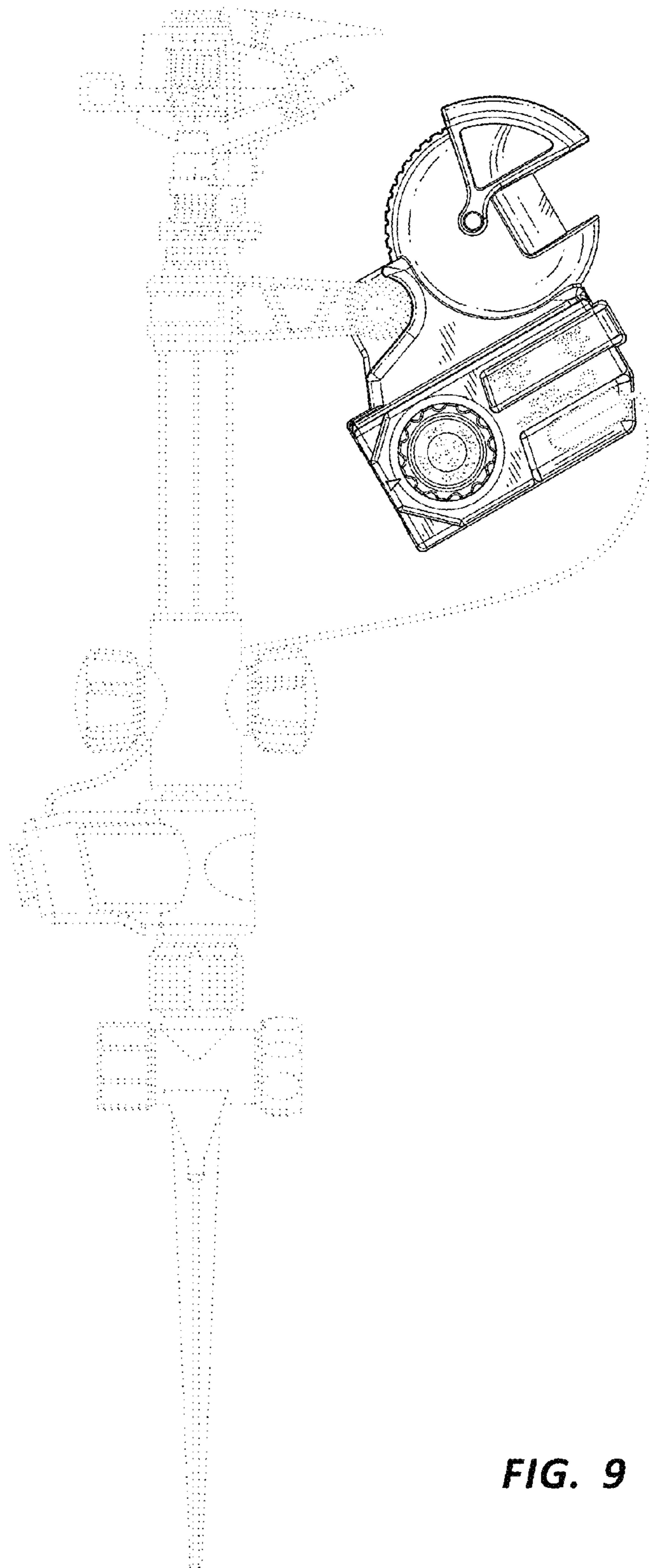


FIG. 9

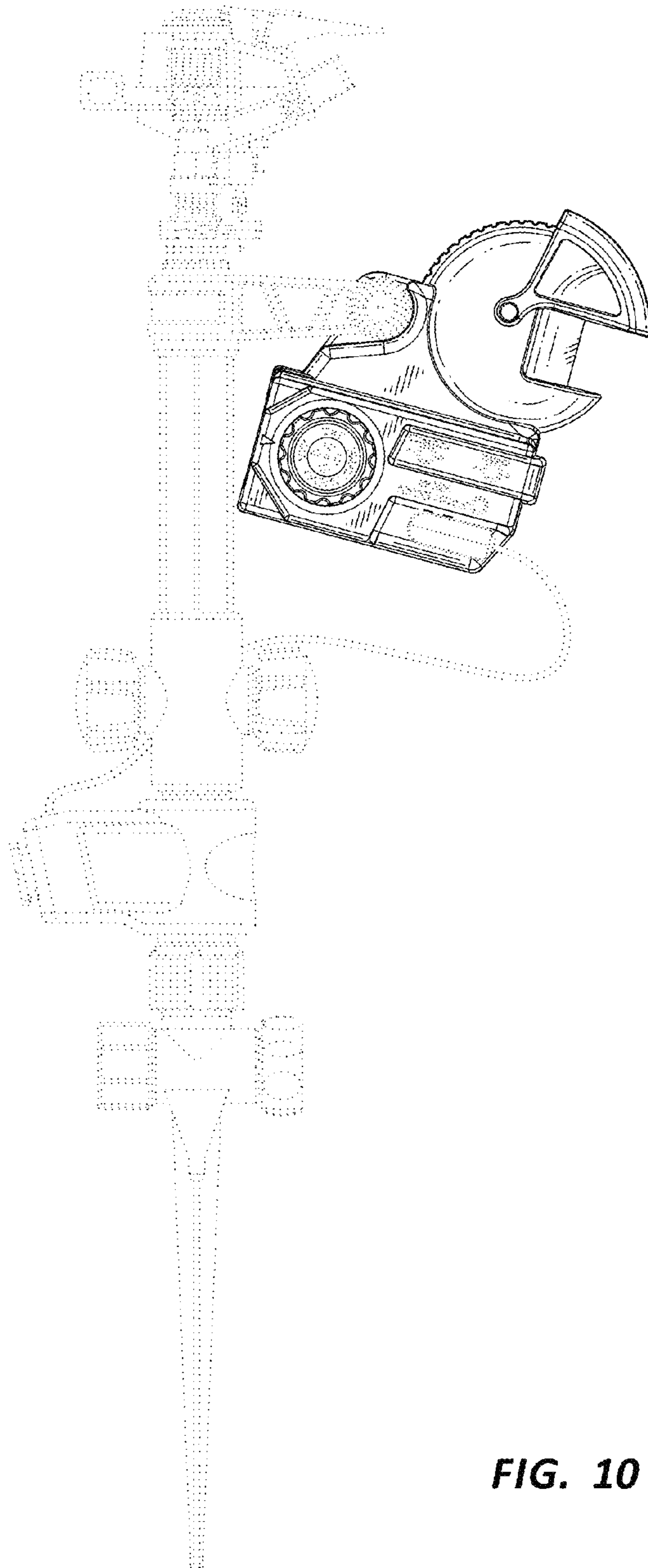


FIG. 10

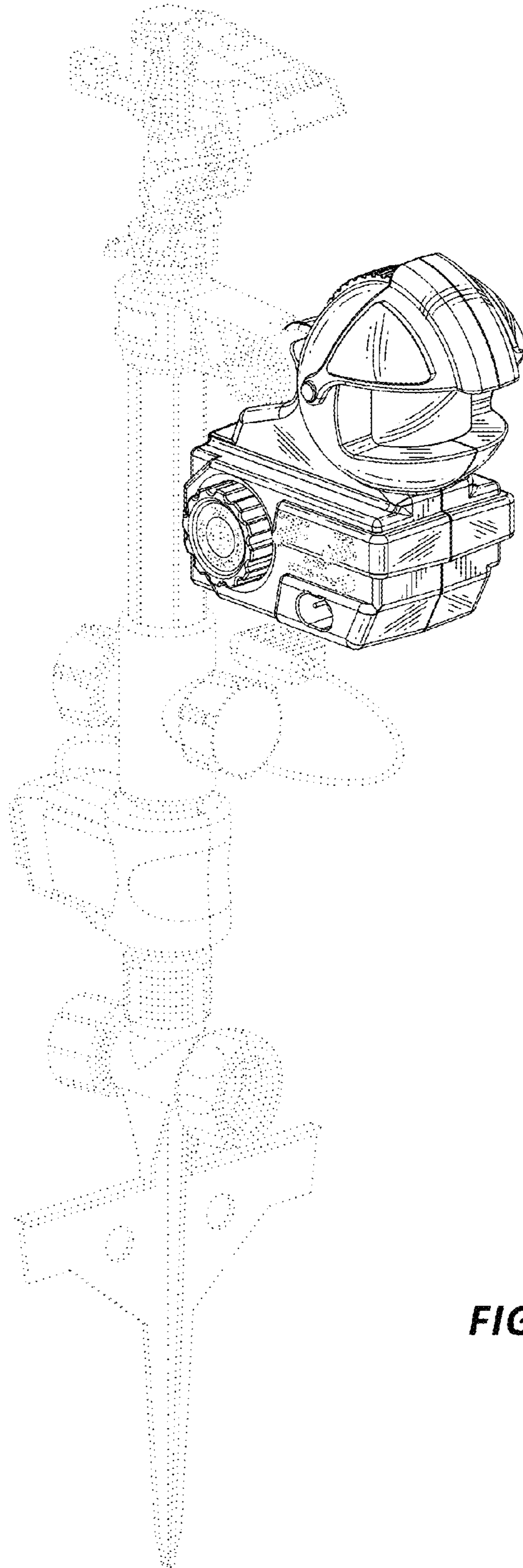


FIG. 11

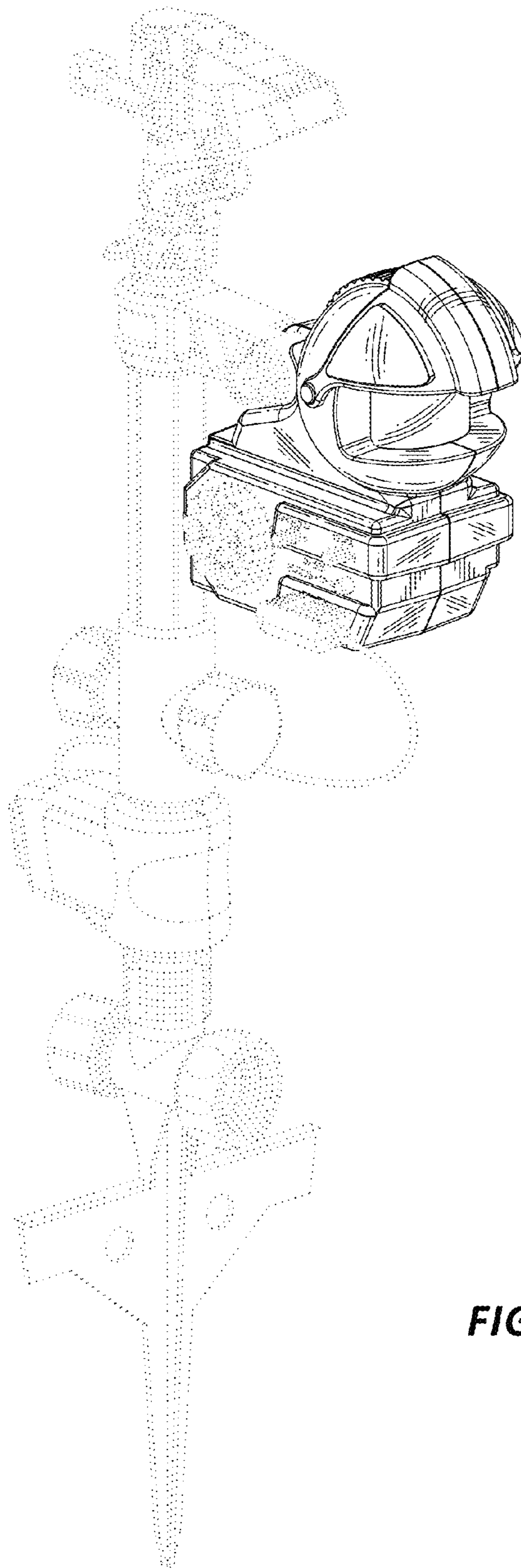


FIG. 12

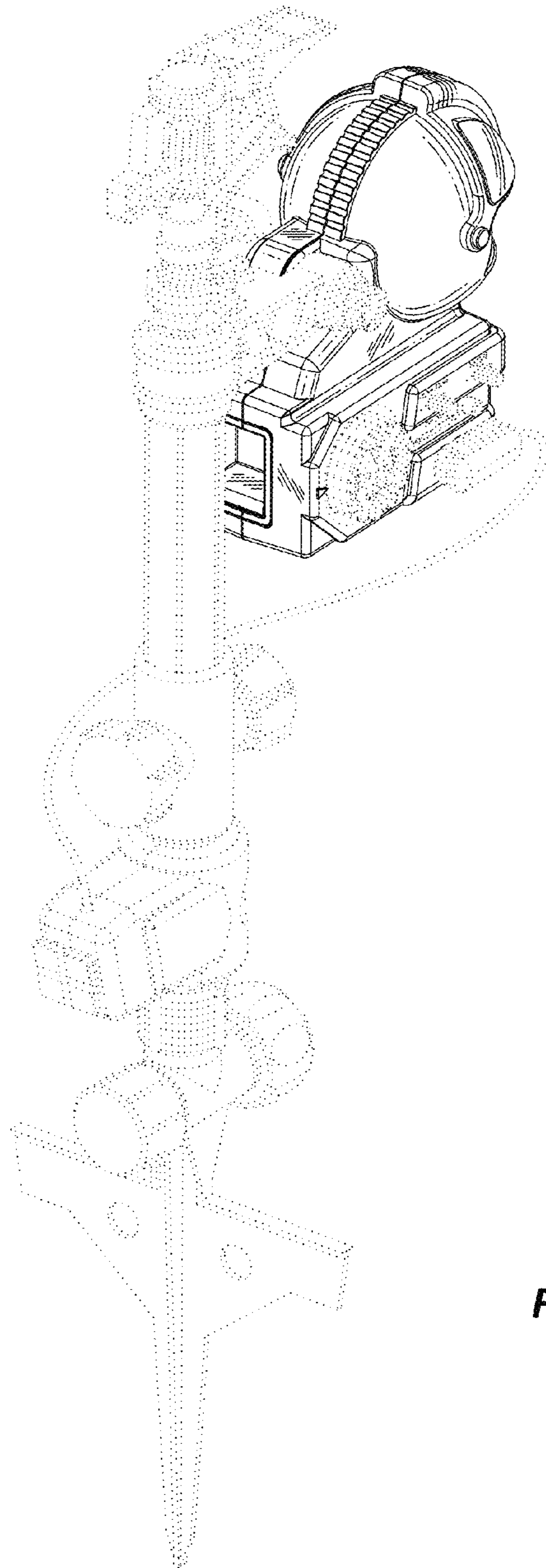


FIG. 13

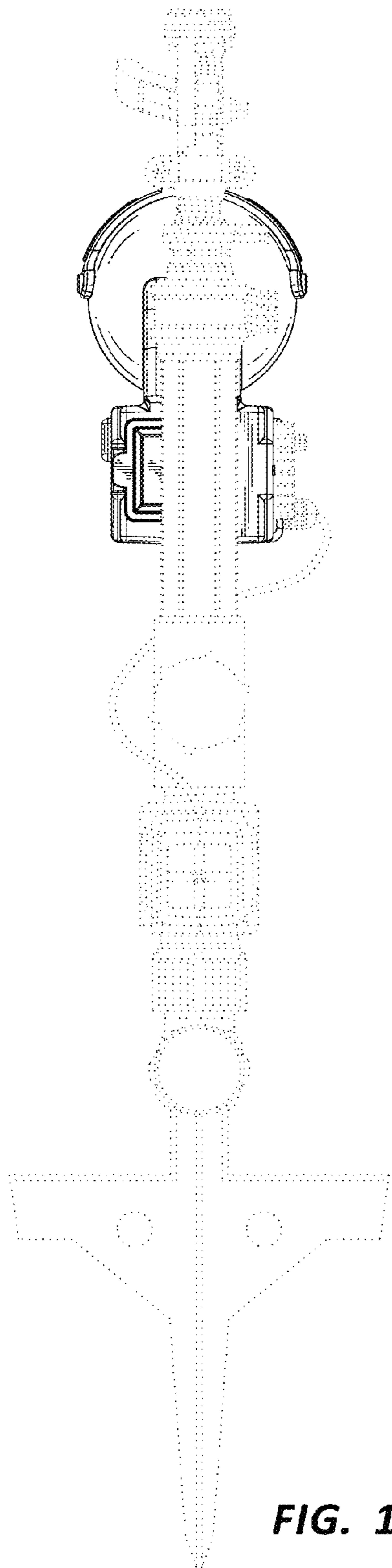


FIG. 14

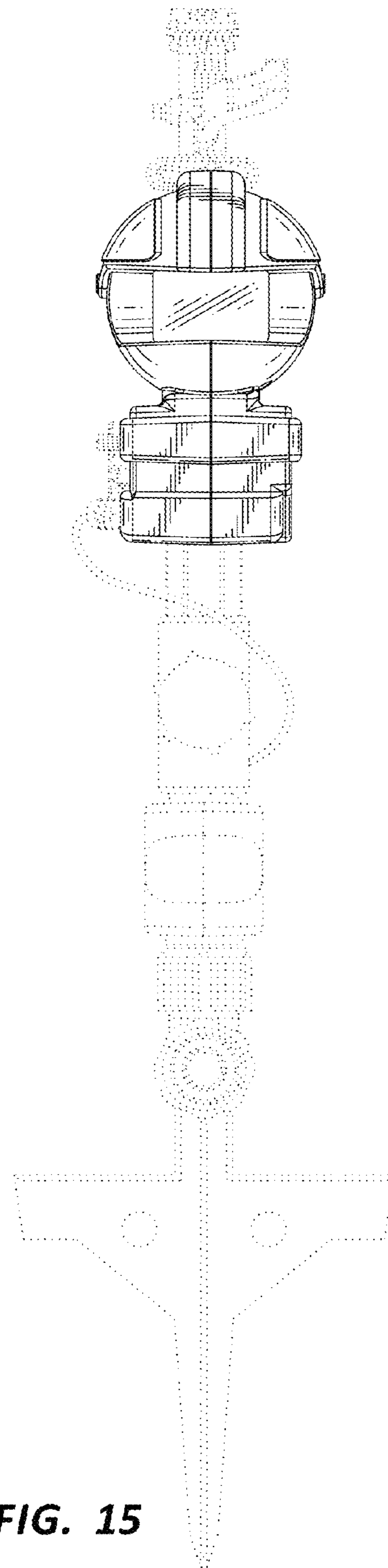


FIG. 15

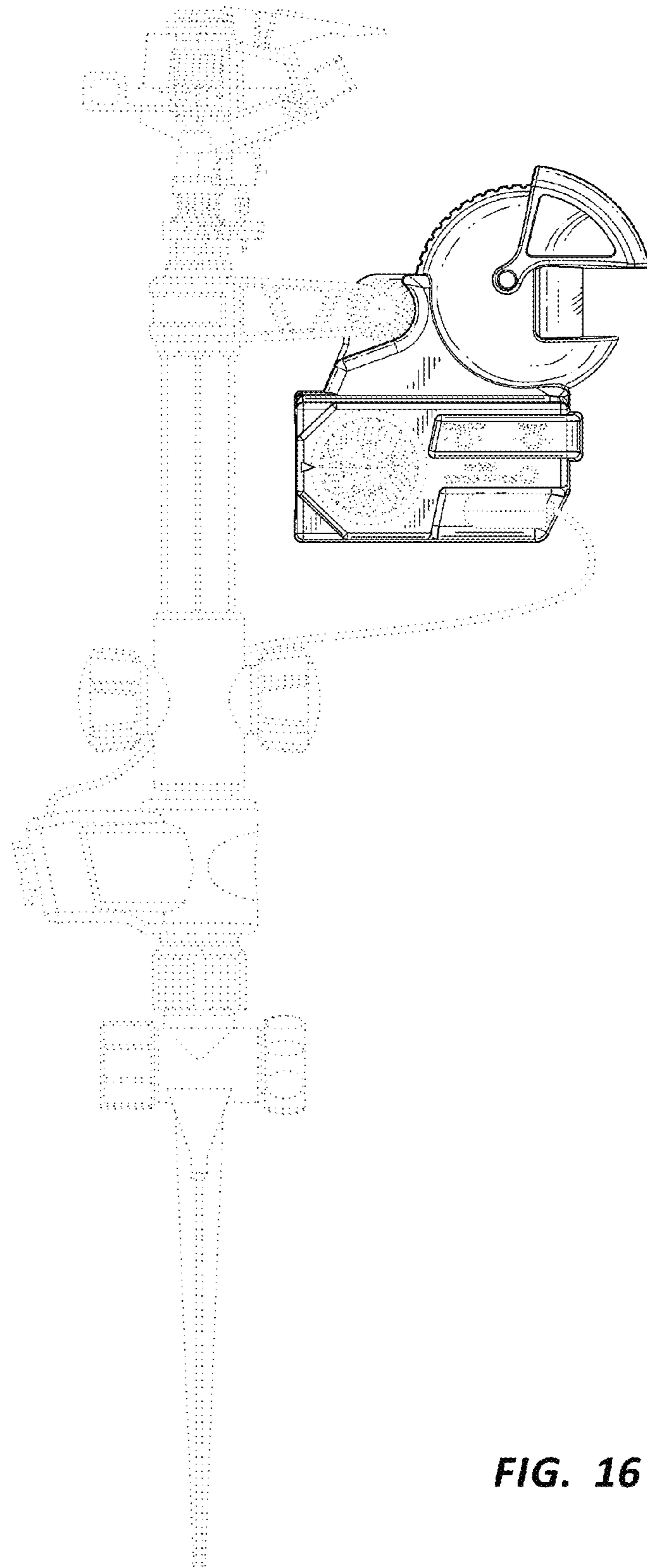


FIG. 16

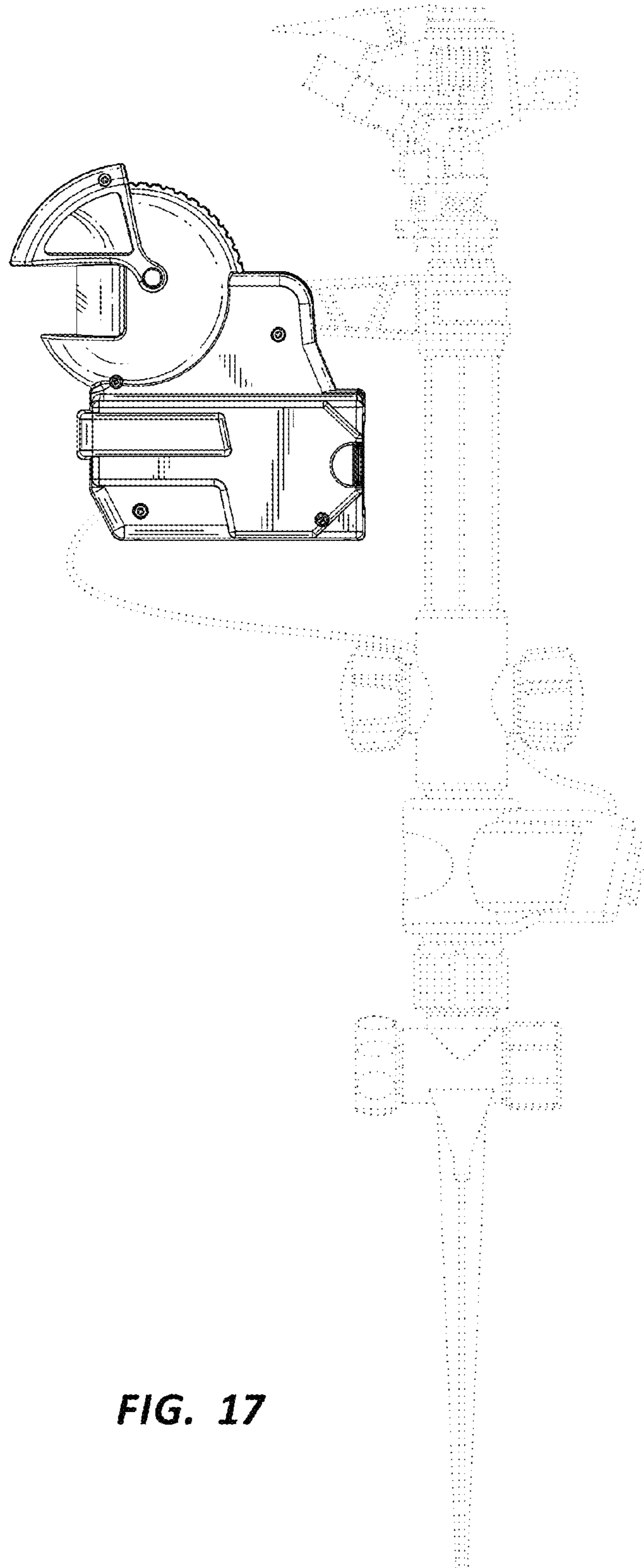


FIG. 17

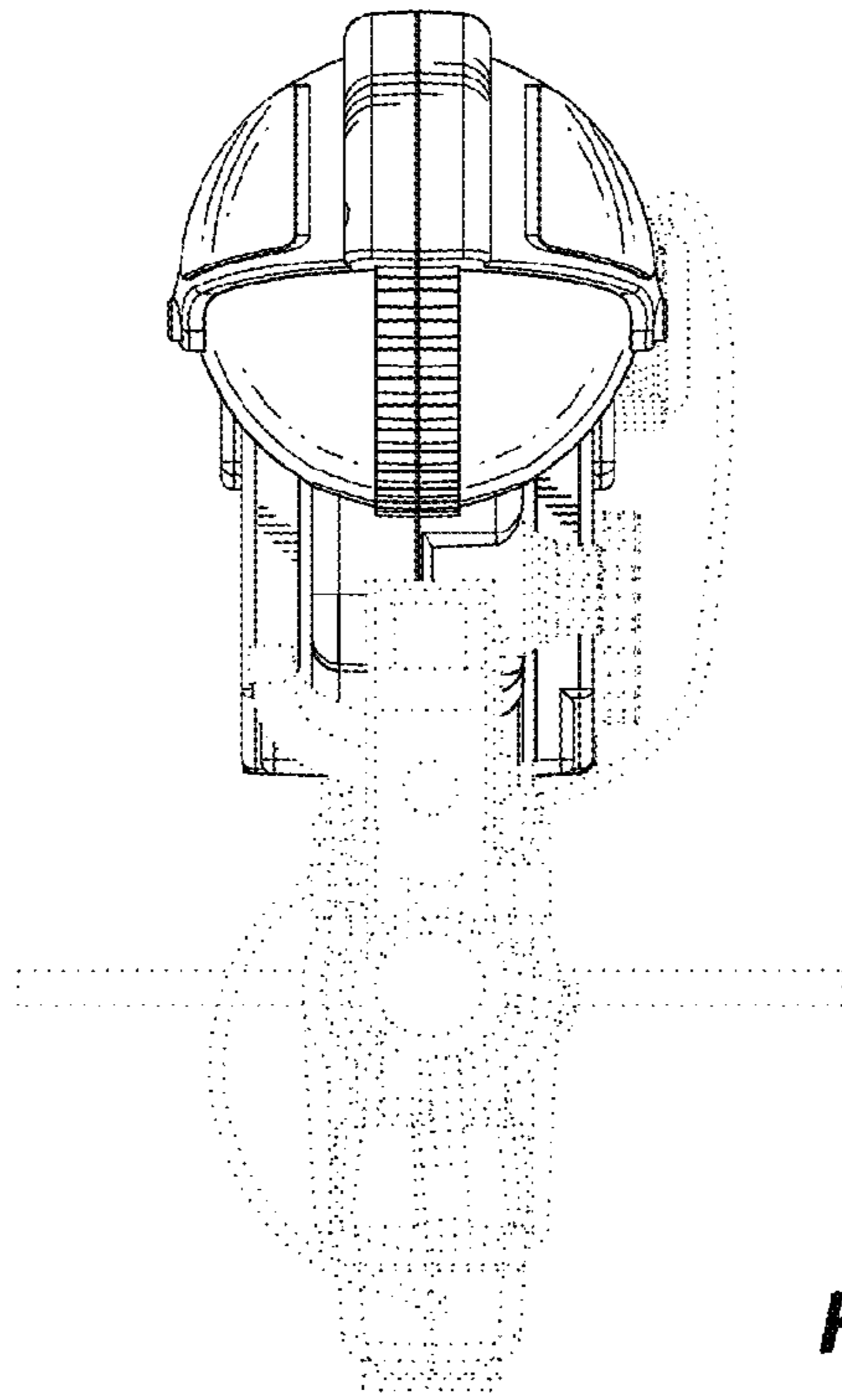


FIG. 18

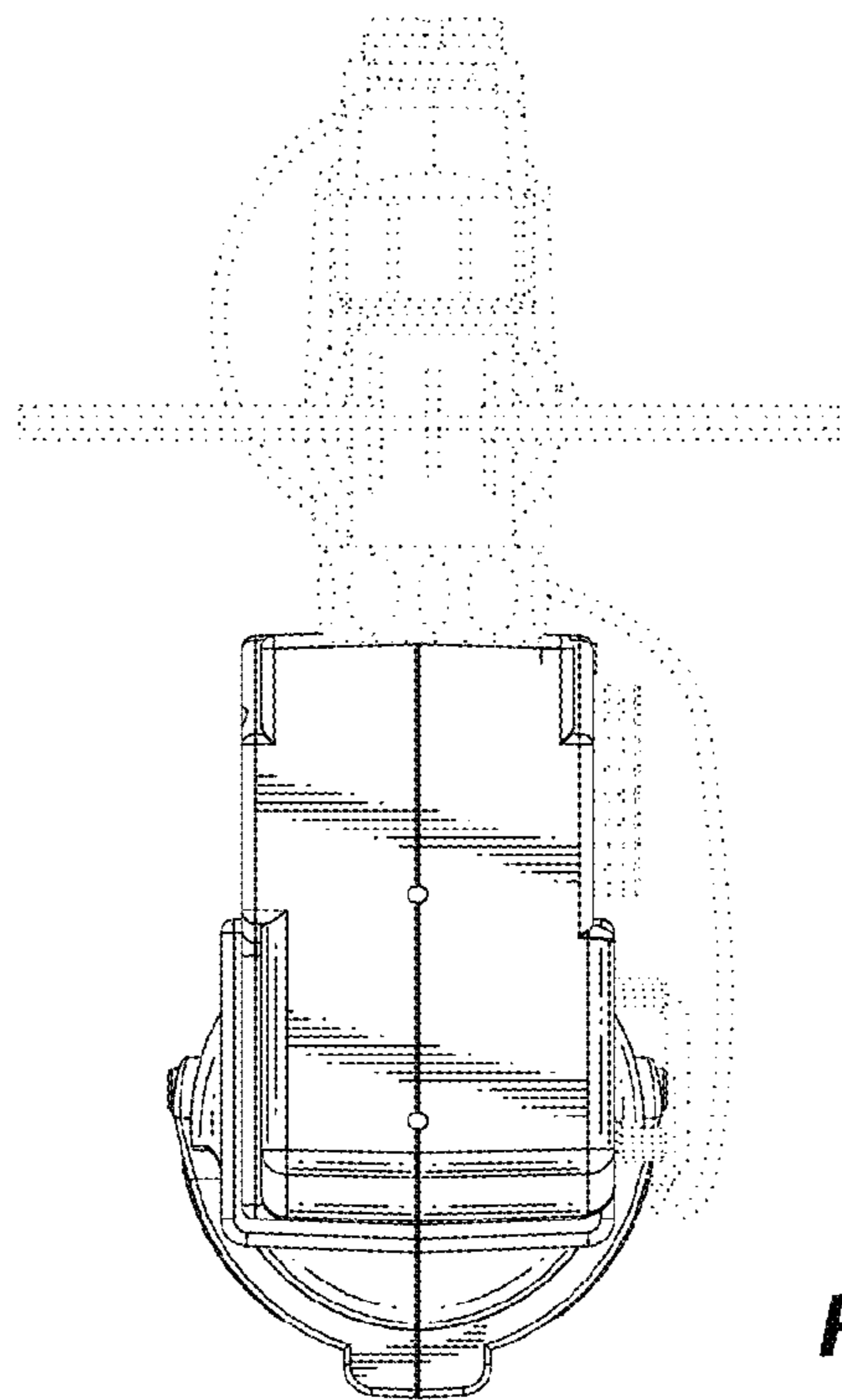


FIG. 19

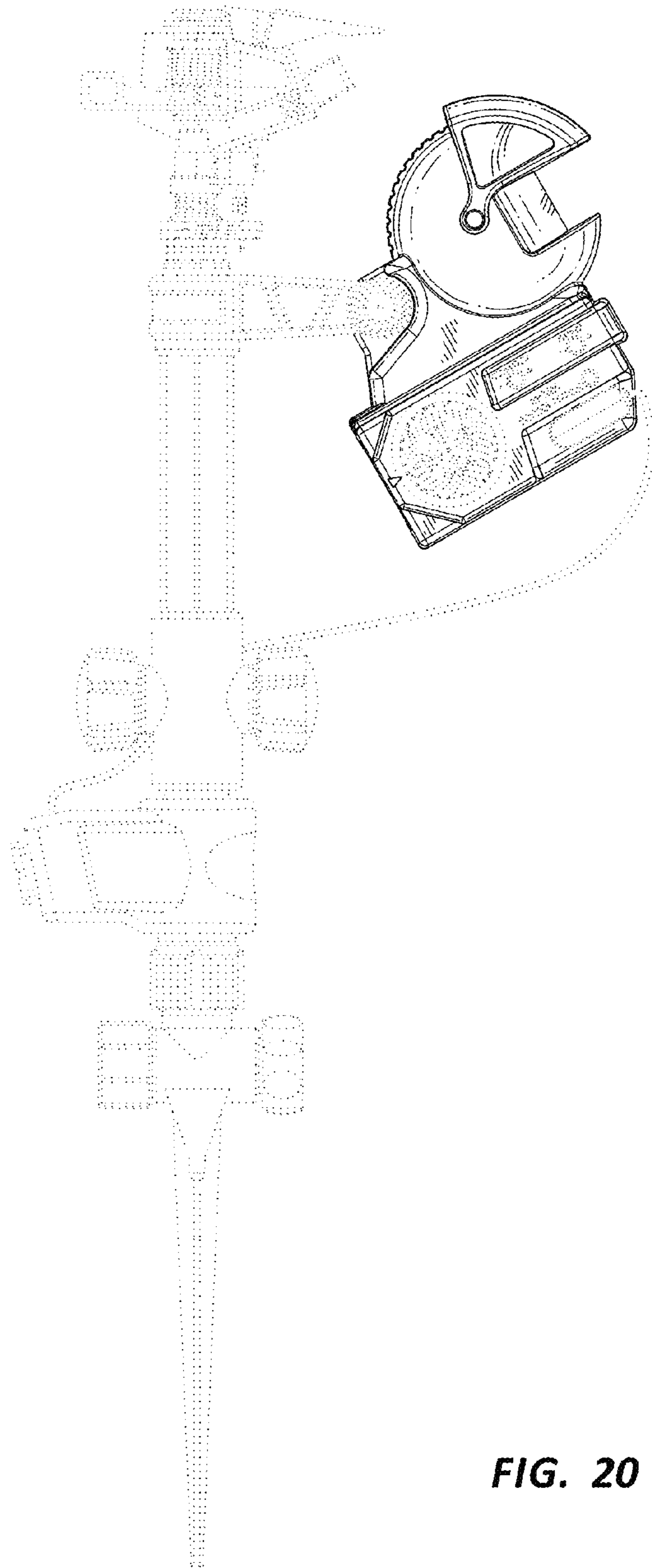


FIG. 20

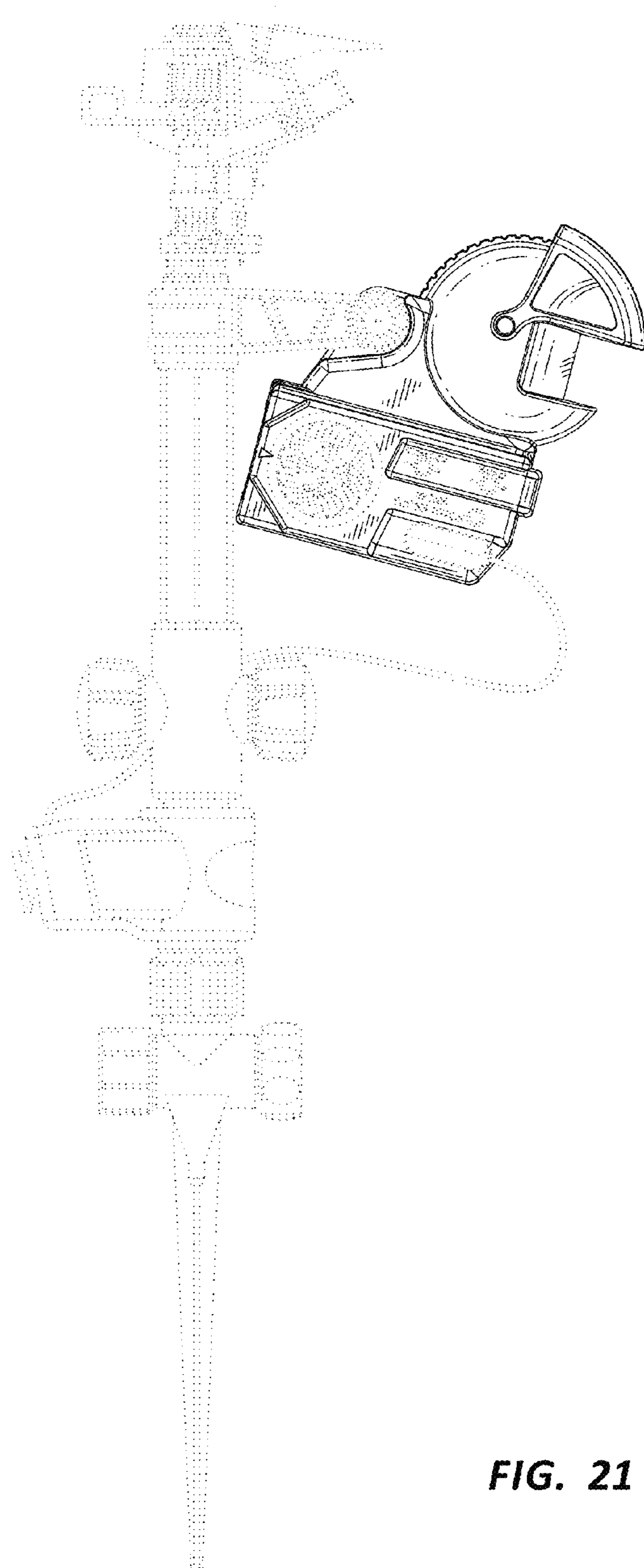


FIG. 21

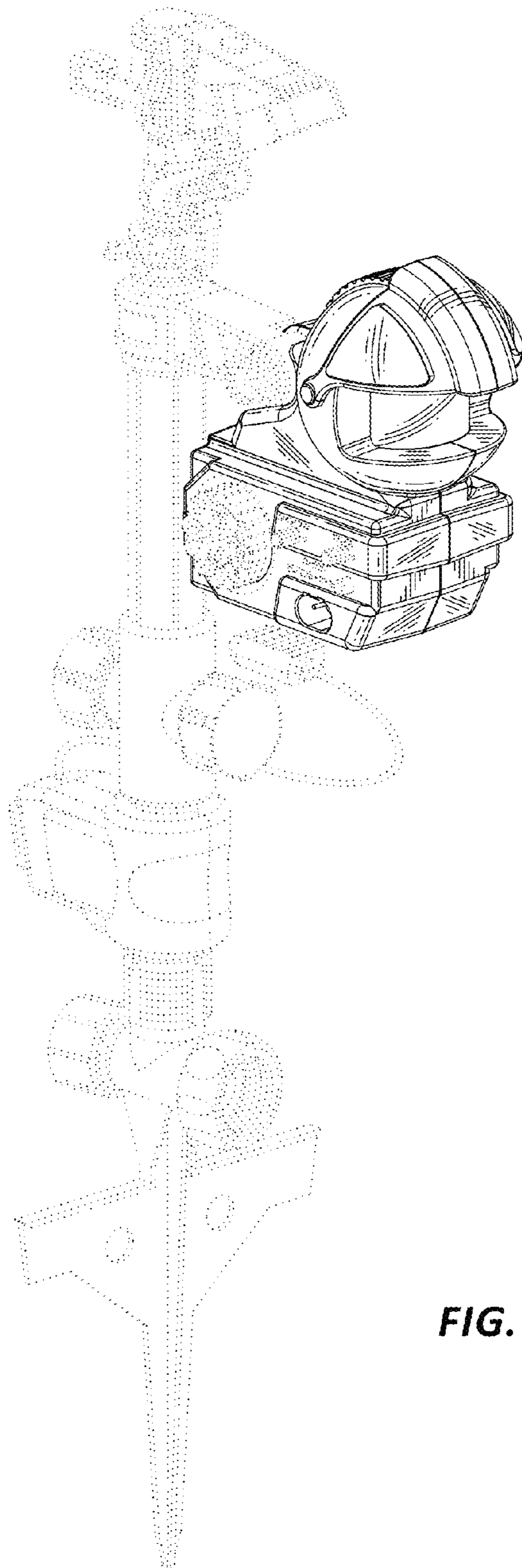


FIG. 22