



US00D752173S

(12) **United States Design Patent**
Linder

(10) **Patent No.:** **US D752,173 S**
(45) **Date of Patent:** **** Mar. 22, 2016**

- (54) **PORTABLE TARGET STAND**
- (71) Applicant: **Ronald D. Linder**, Mesa, AZ (US)
- (72) Inventor: **Ronald D. Linder**, Mesa, AZ (US)
- (**) Term: **14 Years**
- (21) Appl. No.: **29/504,459**
- (22) Filed: **Oct. 6, 2014**
- (51) **LOC (10) Cl.** **22-04**
- (52) **U.S. Cl.**
USPC **D22/113**
- (58) **Field of Classification Search**
USPC D22/113; D16/224
CPC F41J 1/10; F41J 5/14; F41J 1/00;
F41J 3/0004
See application file for complete search history.

- 2009/0315265 A1* 12/2009 Ball F41J 1/10
273/407
- 2010/0269581 A1* 10/2010 Giurintano F42B 35/00
73/167
- 2011/0154703 A1* 6/2011 Petrovic A47B 91/00
40/606.13
- 2014/0367918 A1* 12/2014 Mason F41J 5/04
273/371
- 2015/0276356 A1* 10/2015 Cesternino F41J 9/02
273/370

FOREIGN PATENT DOCUMENTS

- BR WO 2011140618 A1 * 11/2011 F41J 1/10
* cited by examiner

Primary Examiner — Michael A Pratt
(74) *Attorney, Agent, or Firm* — Booth Udall Fuller, PLC

(57) **CLAIM**
The ornamental design for a portable target stand, as shown and described.

(56) **References Cited**

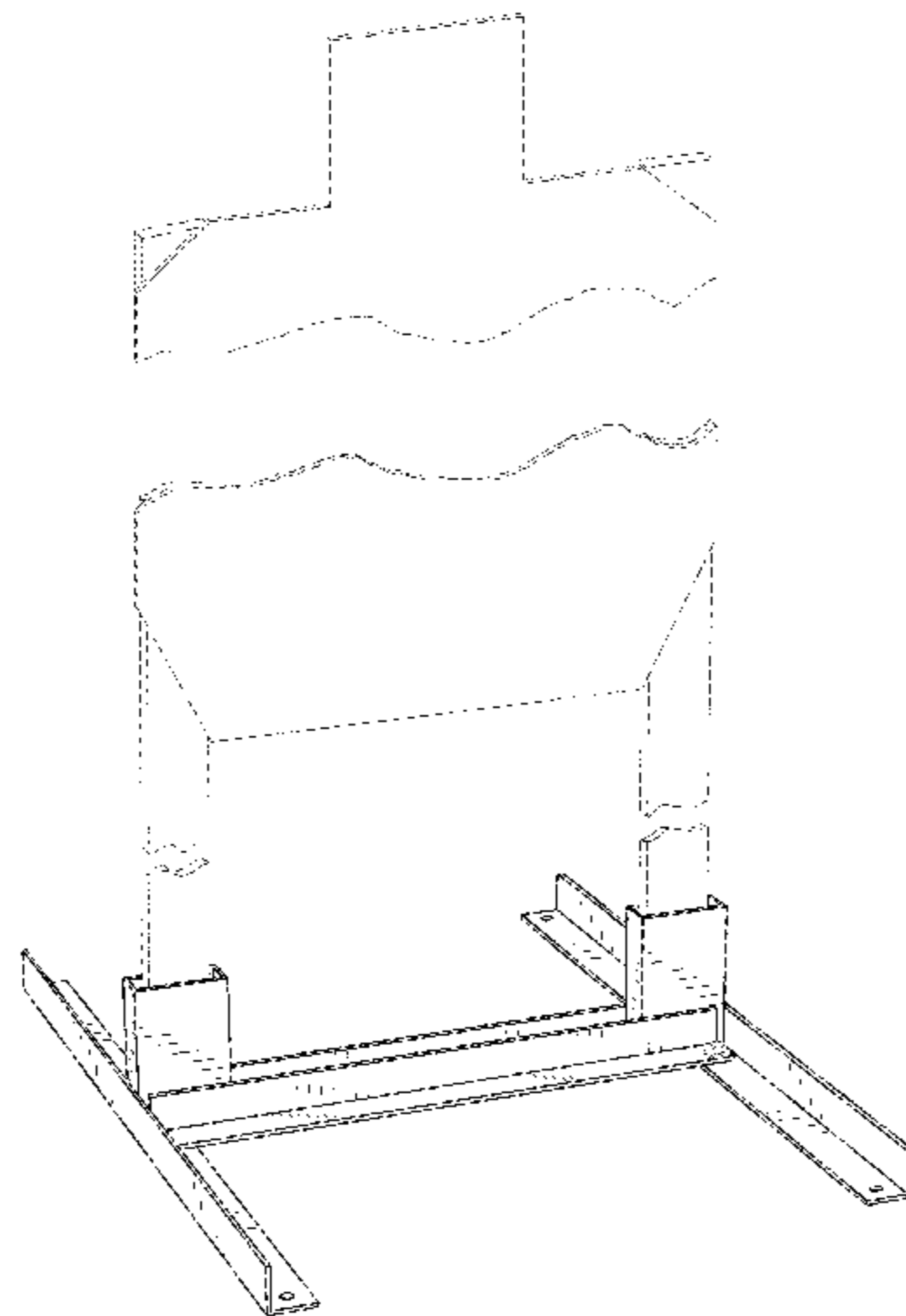
U.S. PATENT DOCUMENTS

- D193,859 S 10/1962 Nissen
- D193,862 S 10/1962 Nissen
- D286,288 S 10/1986 Skinner et al.
- D332,887 S 2/1993 Fjello-Jensen
- 5,277,432 A * 1/1994 Bateman F41J 1/10
273/407
- D353,287 S 12/1994 Hemberger
- D362,854 S 10/1995 Fahy
- 5,564,661 A 10/1996 Gershon
- D409,861 S 5/1999 Newhouse
- D468,137 S 1/2003 Ulmer
- D549,015 S 8/2007 Petrick et al.
- D595,070 S 6/2009 Wacker
- D600,482 S 9/2009 St. John
- D608,014 S 1/2010 Wounder et al.
- D632,720 S 2/2011 Barker
- D648,818 S 11/2011 Zalar
- D672,169 S 12/2012 Linder
- D672,578 S 12/2012 Linder
- 9,163,912 B1 * 10/2015 Stark F41J 7/04
- 2005/0200079 A1 * 9/2005 Barber A63B 63/008
273/400

DESCRIPTION

FIG. 1 is a perspective view of the portable target stand in an unfolded position;
FIG. 2 is a top view thereof;
FIG. 3 is a front view thereof, the opposite rear being a mirror image of the front;
FIG. 4 is a bottom view thereof;
FIG. 5 is a right side view thereof, the opposite, left side being a mirror image of the right side;
FIG. 6 is a perspective view of the portable target stand in a folded position;
FIG. 7 is a front view thereof, the opposite rear being a mirror image of the front;
FIG. 8 is a top view thereof;
FIG. 9 is a right side view thereof;
FIG. 10 is a bottom view thereof; and,
FIG. 11 is a left side view thereof.
The broken lines in the drawings illustrate features that form no part of the claimed design.

1 Claim, 6 Drawing Sheets



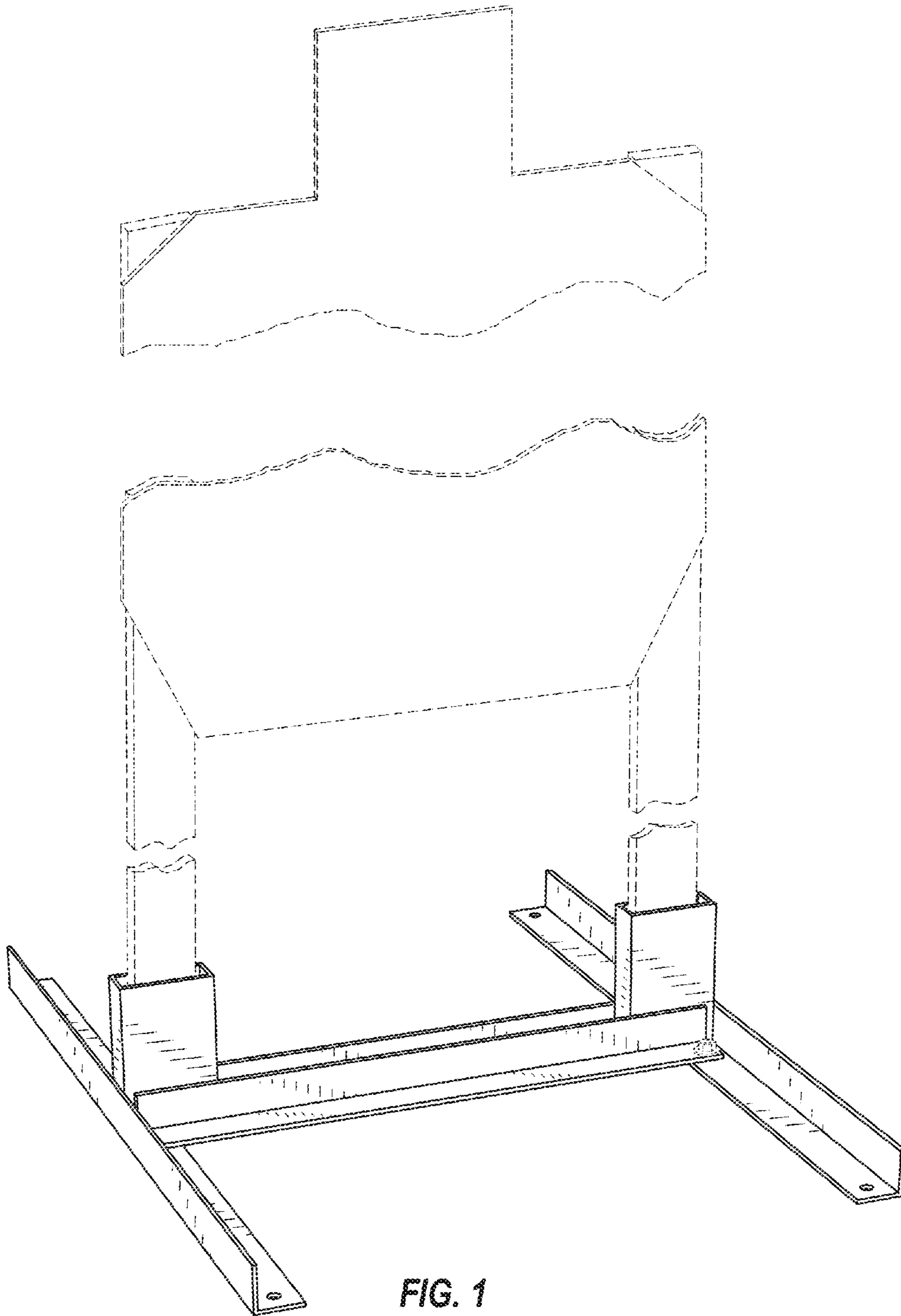


FIG. 1

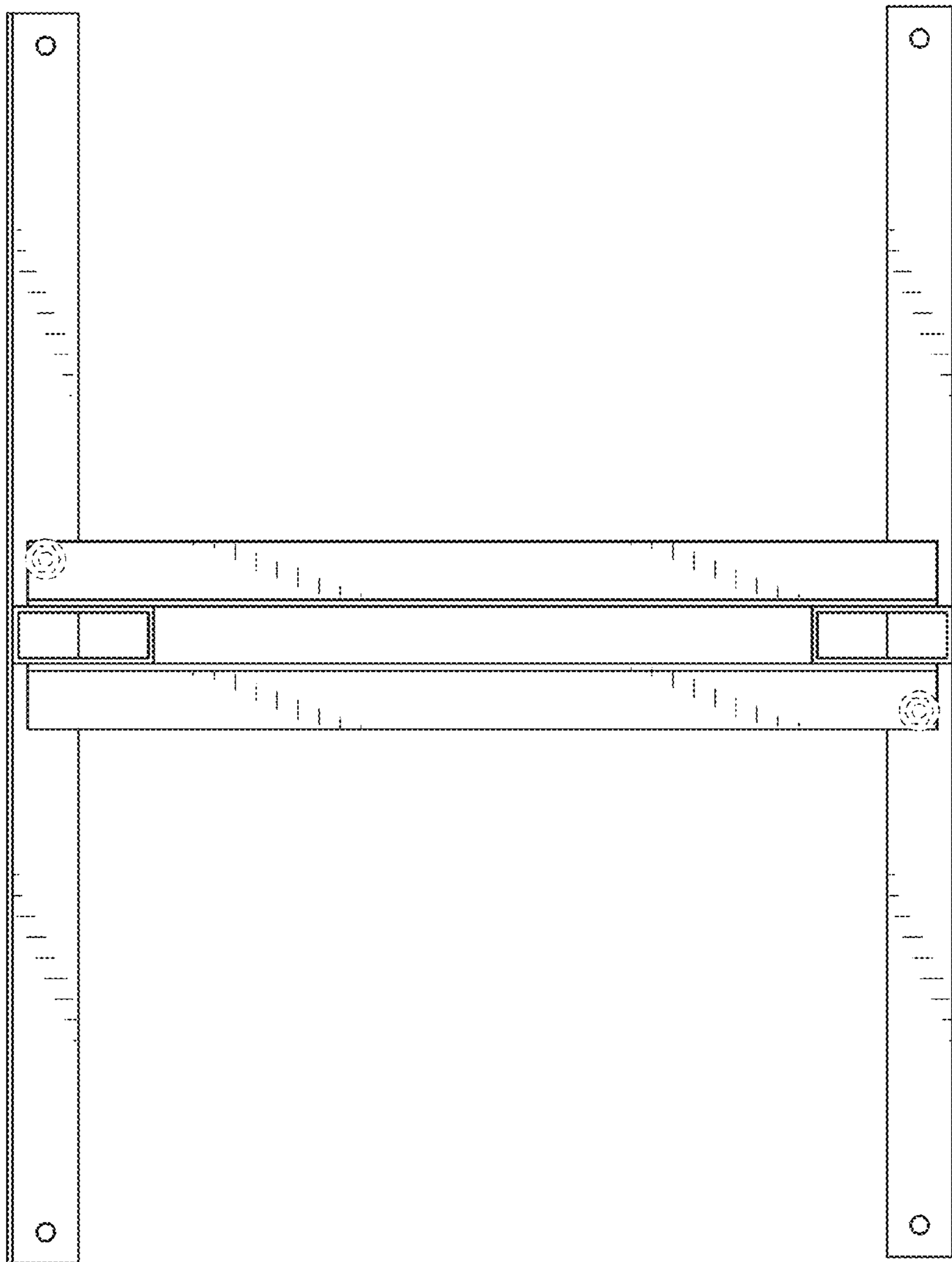


FIG. 2

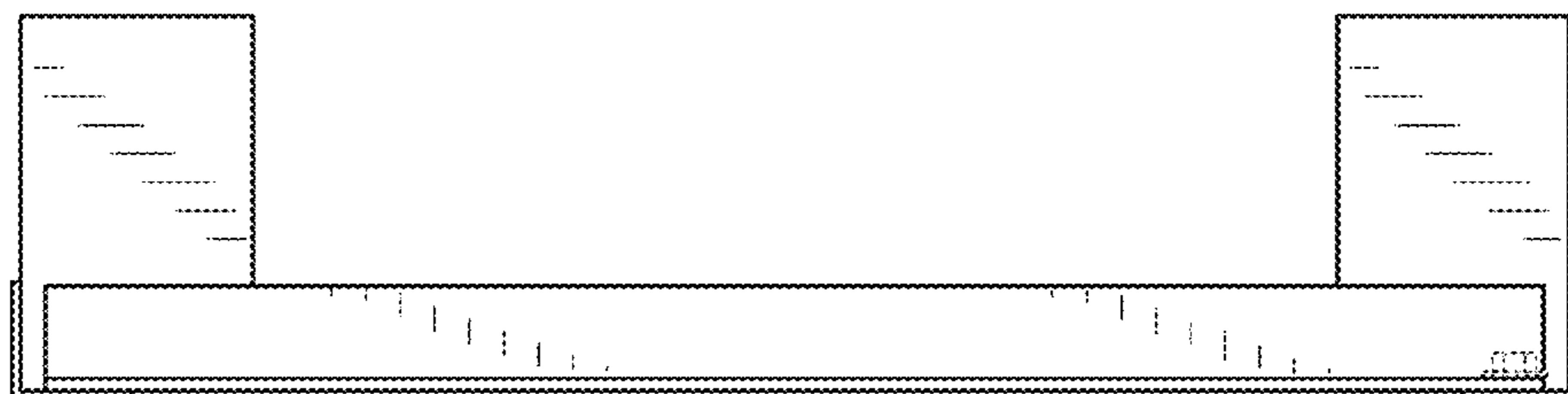


FIG. 3

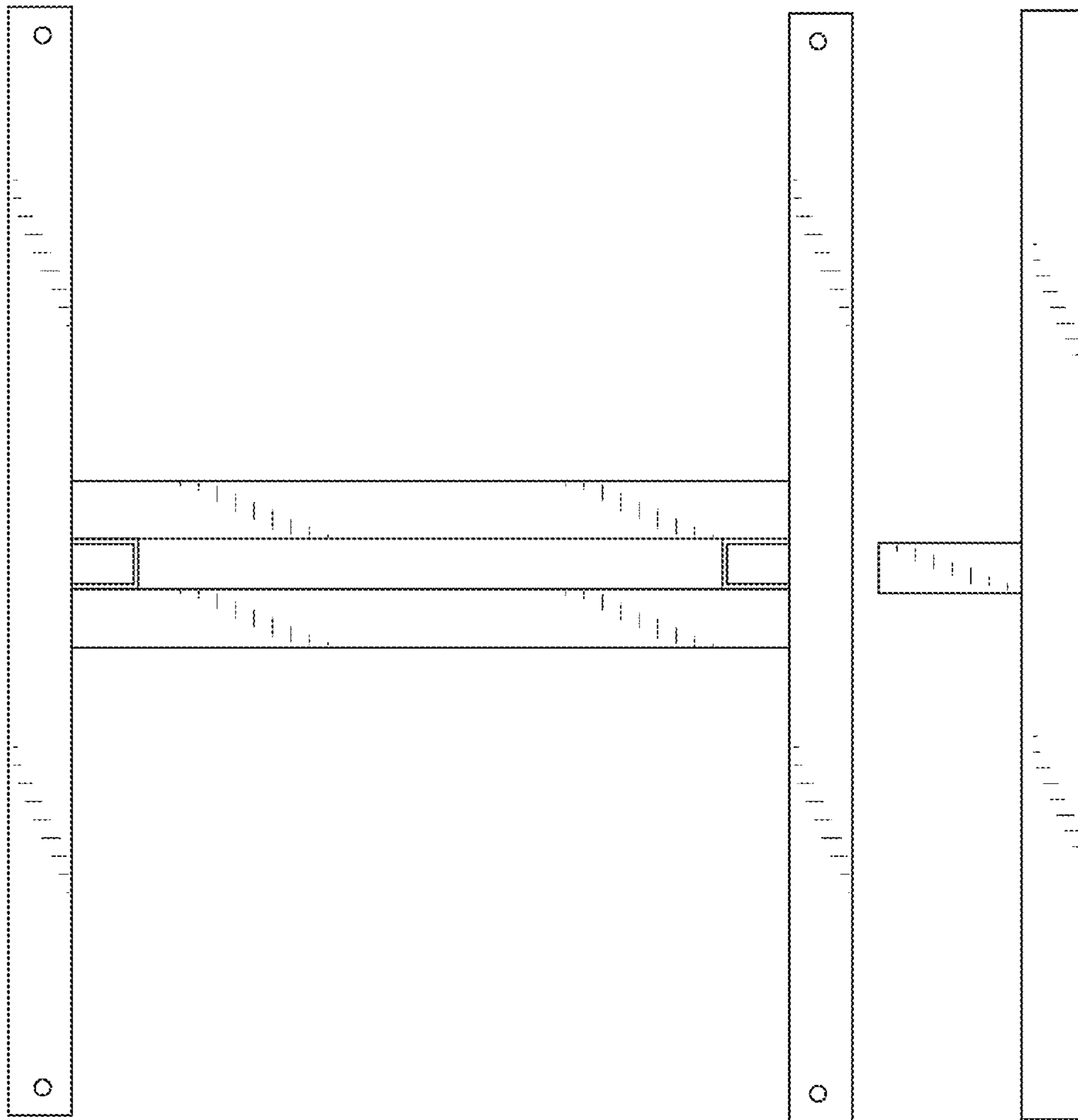


FIG. 4

FIG. 5

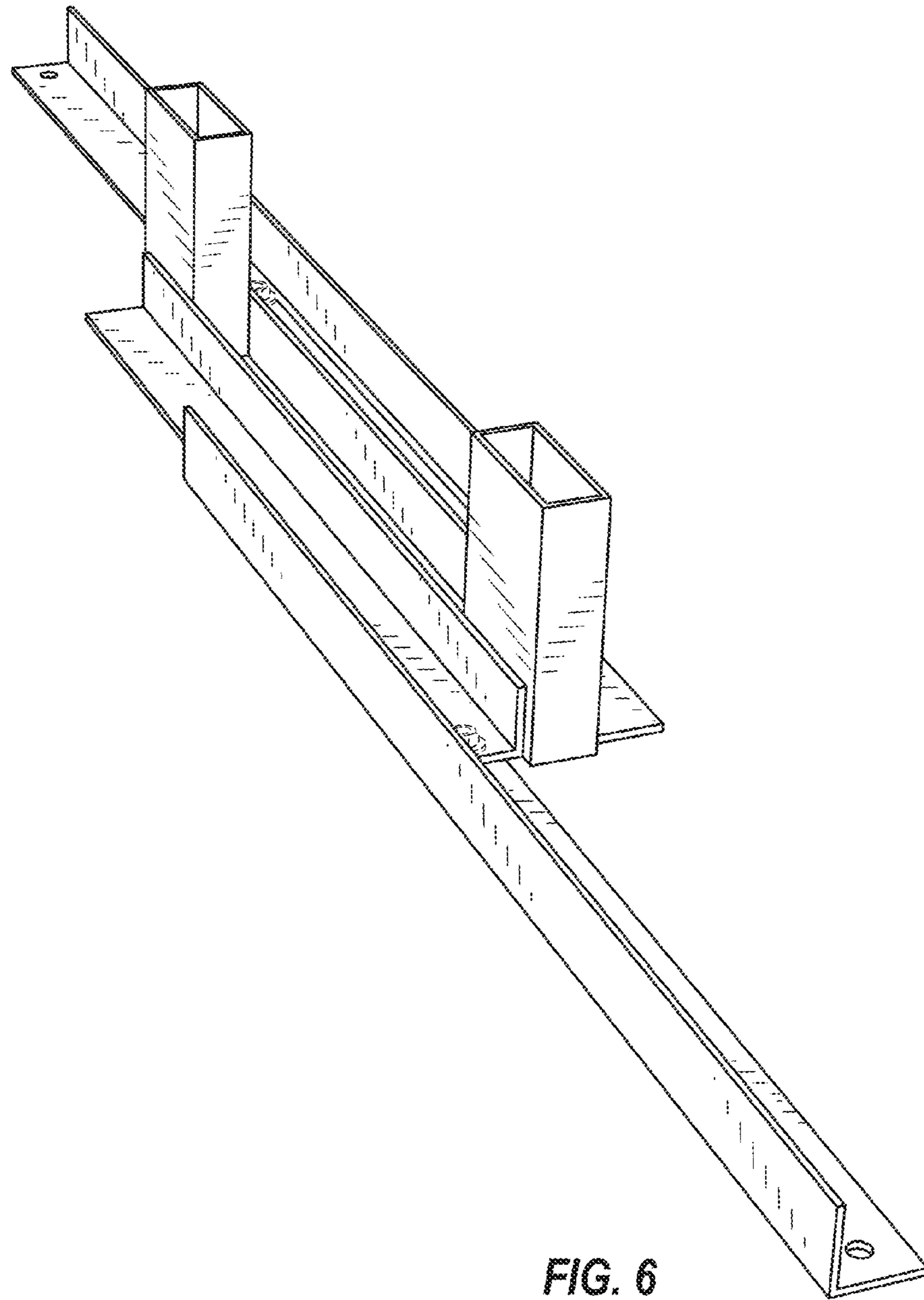


FIG. 6

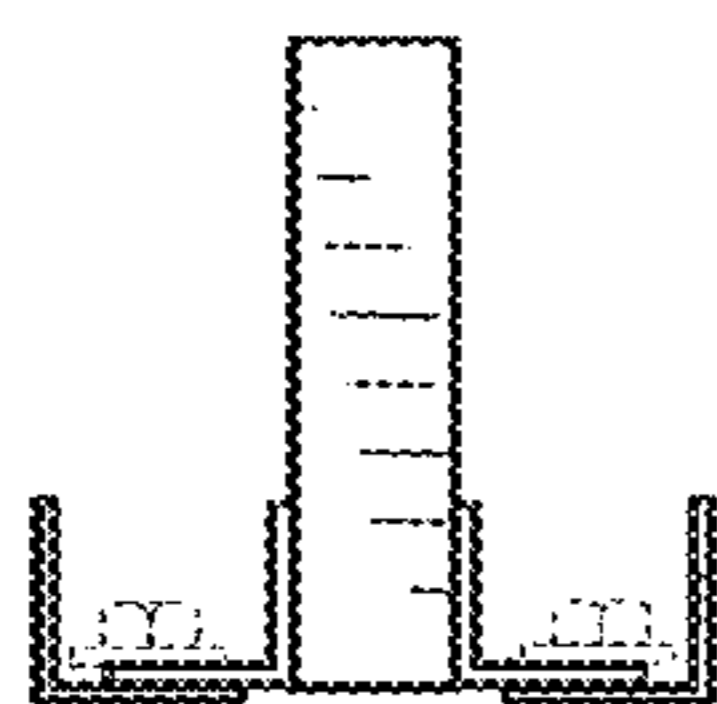


FIG. 7

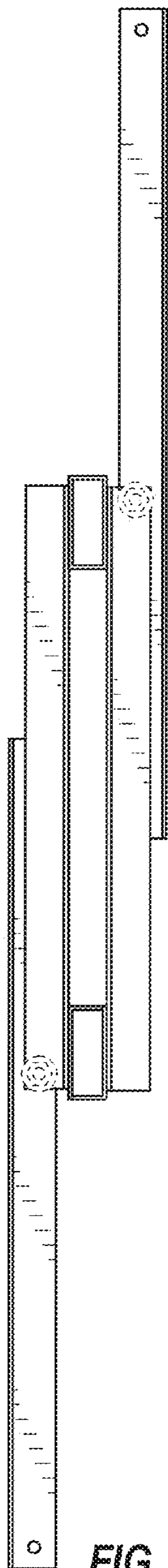


FIG. 8

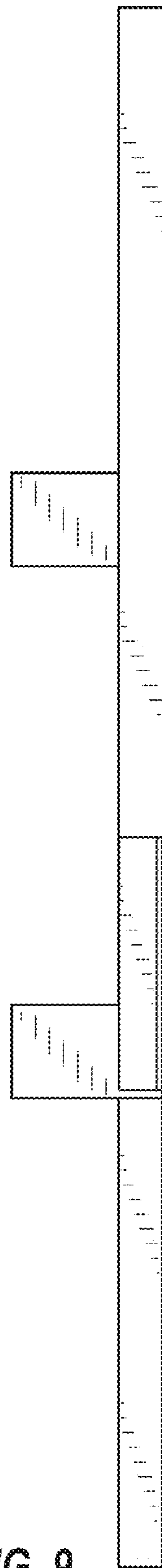


FIG. 9

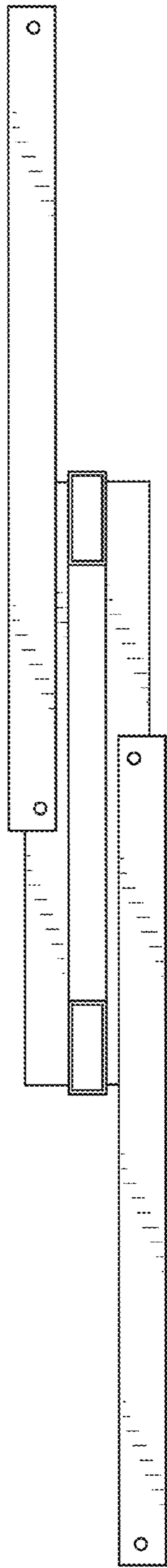


FIG. 10

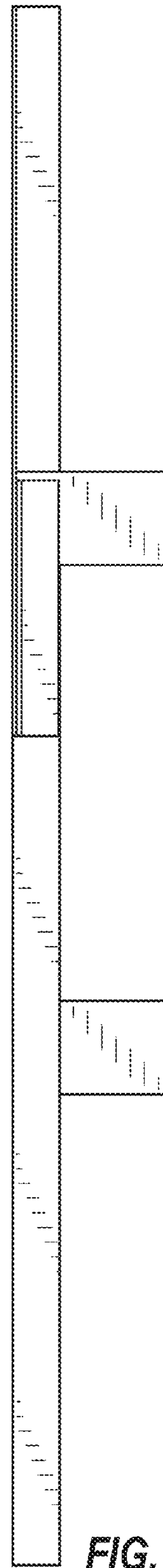


FIG. 11