

US00D752171S

(12) **United States Design Patent**
Chen

(10) **Patent No.:** **US D752,171 S**
(45) **Date of Patent:** **** Mar. 22, 2016**

(54) **FOREARM FOR A RIFLE**
(71) Applicant: **Joseph Chen**, San Diego, CA (US)
(72) Inventor: **Joseph Chen**, San Diego, CA (US)
(**) Term: **14 Years**
(21) Appl. No.: **29/498,367**
(22) Filed: **Aug. 1, 2014**
(51) **LOC (10) Cl.** **22-01**
(52) **U.S. Cl.**
USPC **D22/108**
(58) **Field of Classification Search**
USPC D22/103, 108; D21/572-575
CPC F41C 23/00; F41C 27/00; F41C 27/06;
F41C 23/10; F41C 23/14; F41C 23/16;
F41C 23/18
See application file for complete search history.

8,904,691 B1 * 12/2014 Kincel F41C 23/16
42/71.01
D736,886 S * 8/2015 Cheng D22/108
D737,397 S * 8/2015 Cheng D22/108
2007/0199435 A1 8/2007 Hochstrate et al.
2009/0038198 A1 2/2009 Yu
2010/0192443 A1 8/2010 Cabahug et al.
2010/0319231 A1 12/2010 Stone et al.
2011/0185617 A1 8/2011 Brixius
2013/0276341 A1 10/2013 Wells et al.
2014/0026459 A1 * 1/2014 Yan F41C 23/16
42/71.01
2014/0130390 A1 * 5/2014 Geissele F41C 23/16
42/71.01
2015/0247700 A1 * 9/2015 Merlino F41C 23/16
42/75.01

* cited by examiner

Primary Examiner — Michael A Pratt
(74) *Attorney, Agent, or Firm* — QuickPatents; Kevin Prince

(56) **References Cited**

U.S. PATENT DOCUMENTS

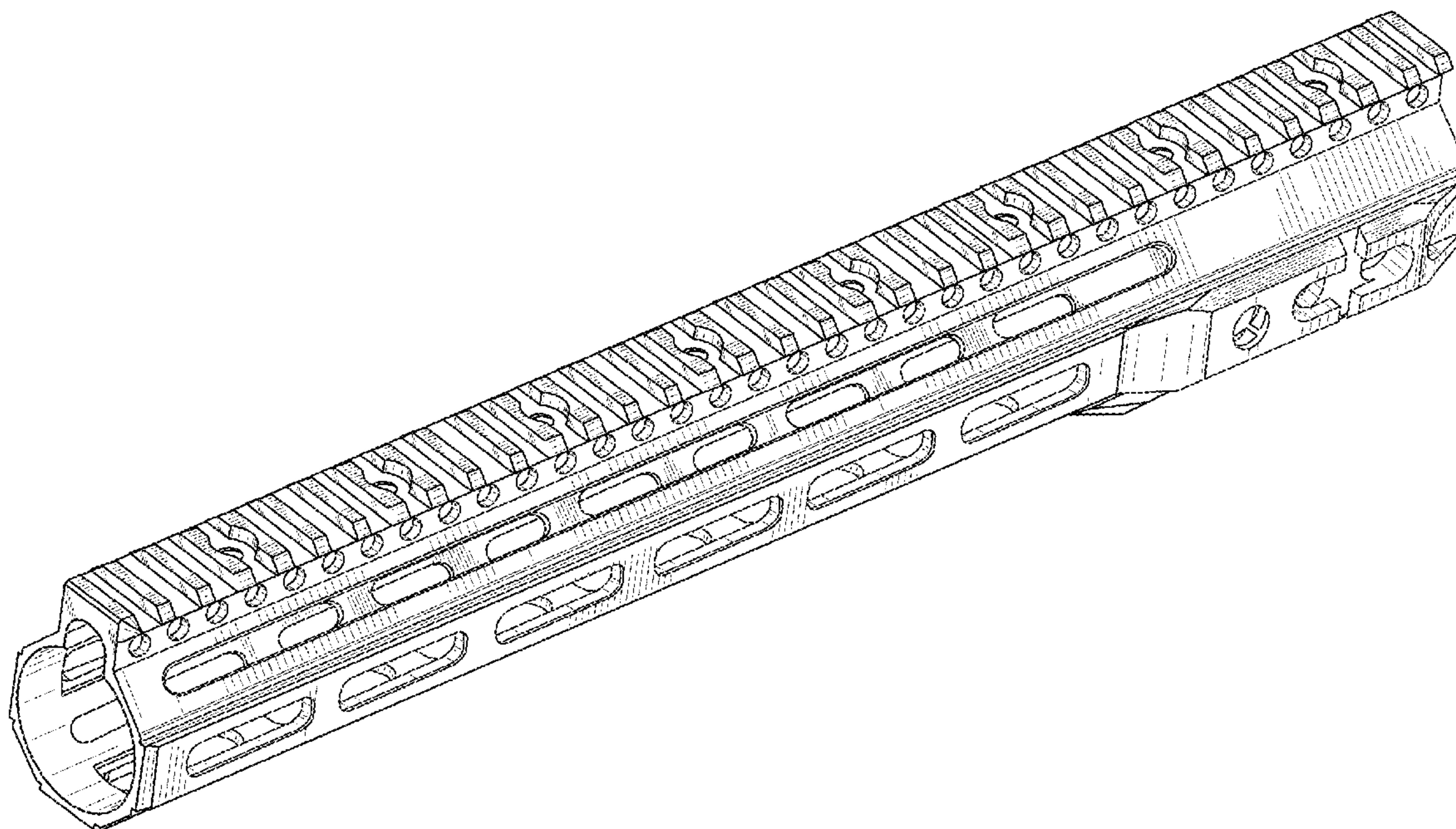
D477,855 S 7/2003 Selvaggio
7,059,076 B2 6/2006 Stoner et al.
7,356,958 B2 4/2008 Weir
D606,156 S 12/2009 Swan
D607,958 S 1/2010 Swan
D616,520 S 5/2010 Starnes
D616,521 S 5/2010 Starnes
8,069,604 B2 12/2011 Larue
D692,516 S 10/2013 Yan et al.
8,739,448 B2 * 6/2014 Kimmel F41C 23/16
42/124
8,752,320 B2 * 6/2014 Masters F41C 23/16
42/71.01
D720,421 S * 12/2014 Chen D22/108

(57) **CLAIM**
I claim the ornamental design for a forearm for a rifle, as shown and described.

DESCRIPTION

FIG. 1 is a top perspective view of a forearm for a rifle showing my new design;
FIG. 2 is an enlarged front elevational view thereof;
FIG. 3 is an enlarged rear elevational view thereof;
FIG. 4 is a left-side elevational view thereof, the right-side elevational view being a mirror image thereof;
FIG. 5 is a top plan view thereof,
FIG. 6 is a bottom plan view thereof; and,
FIG. 7 is a bottom perspective view thereof.

1 Claim, 4 Drawing Sheets



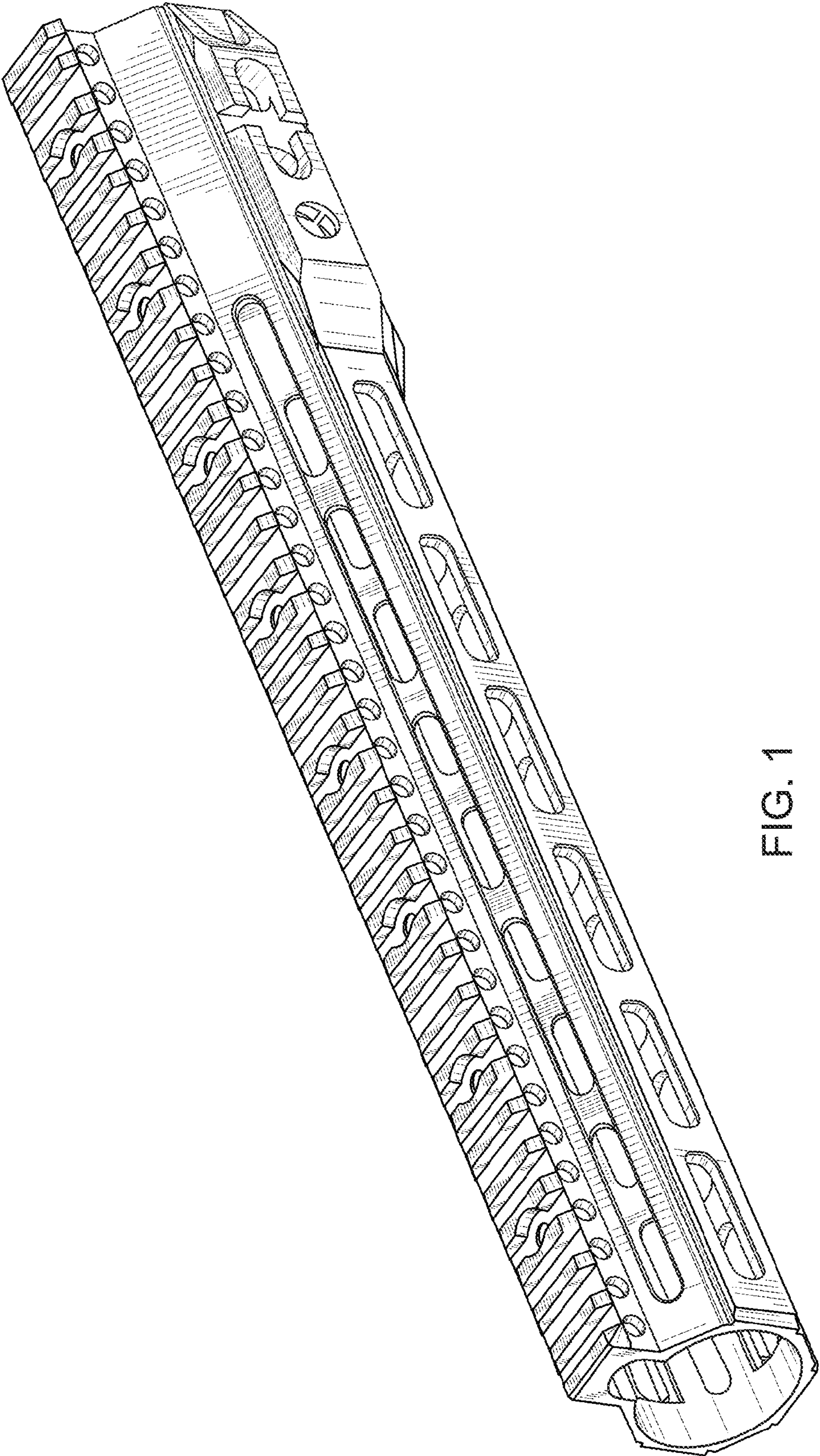


FIG. 1

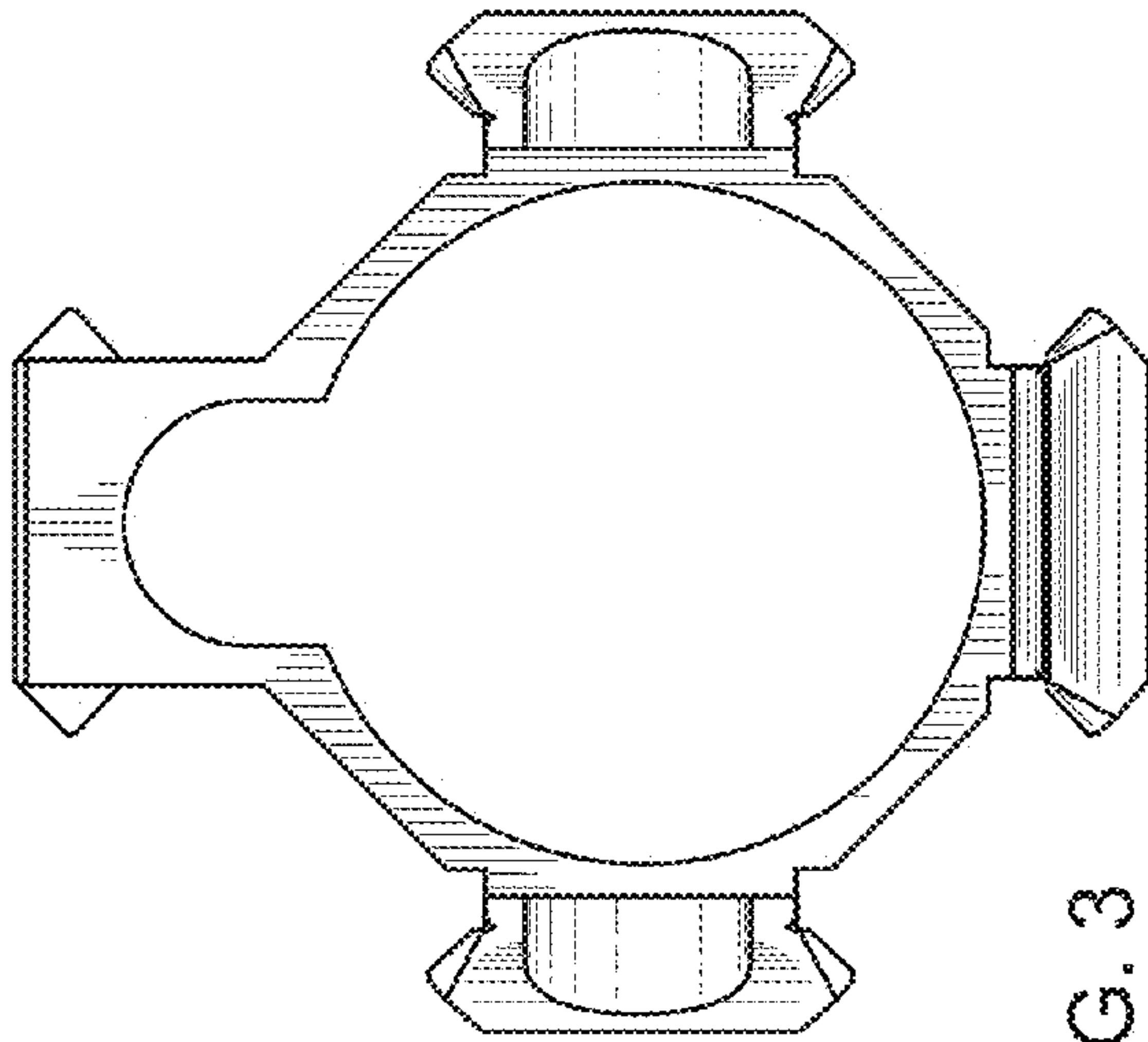


FIG. 3

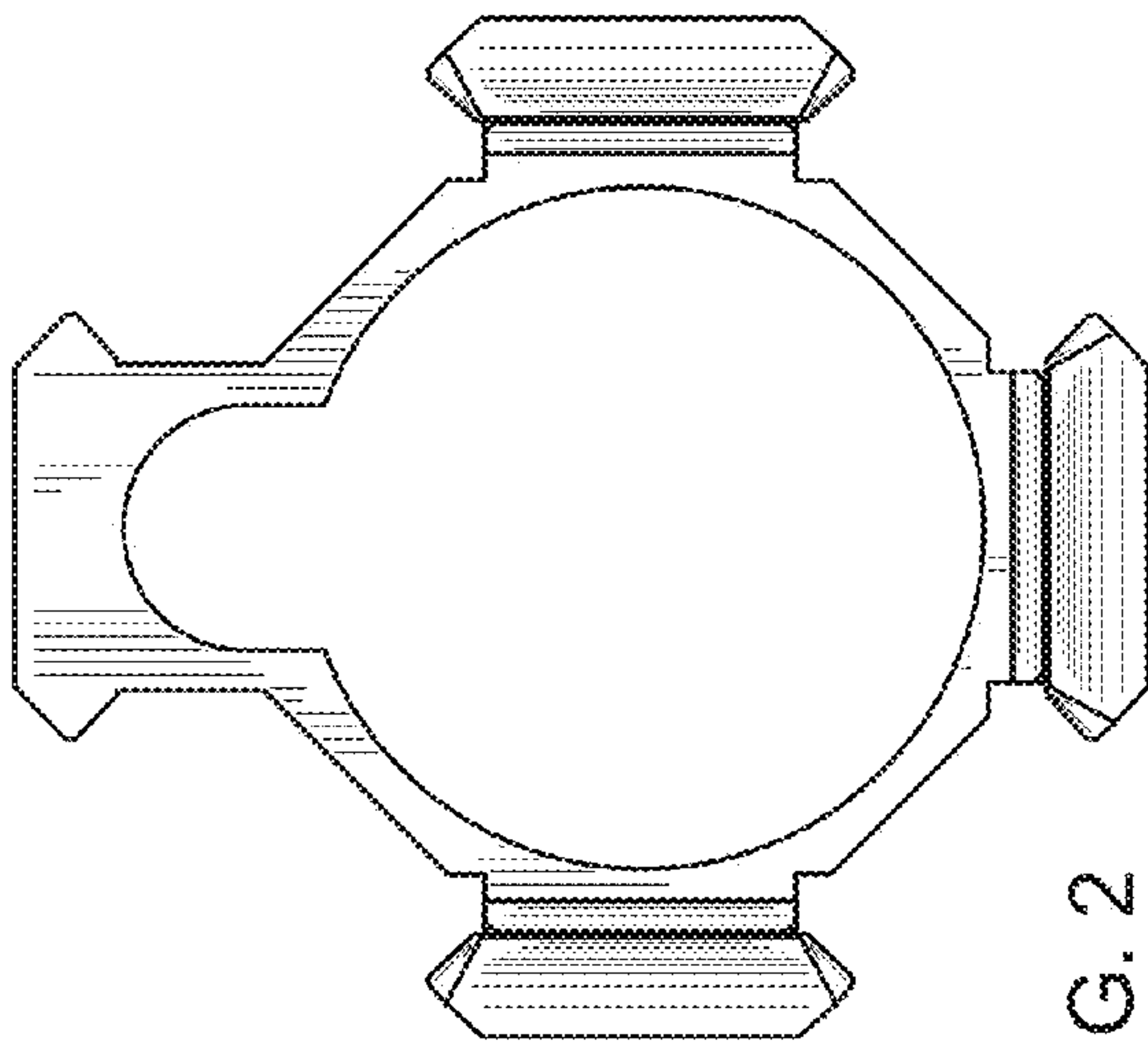


FIG. 2

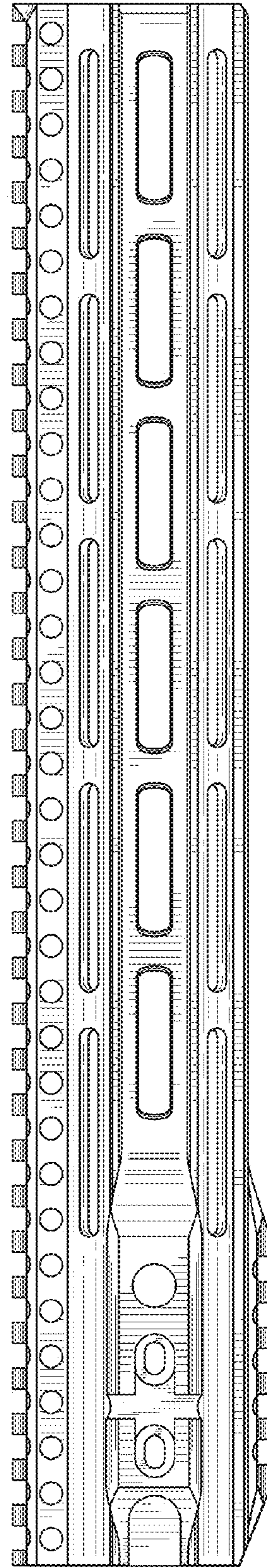


FIG. 4

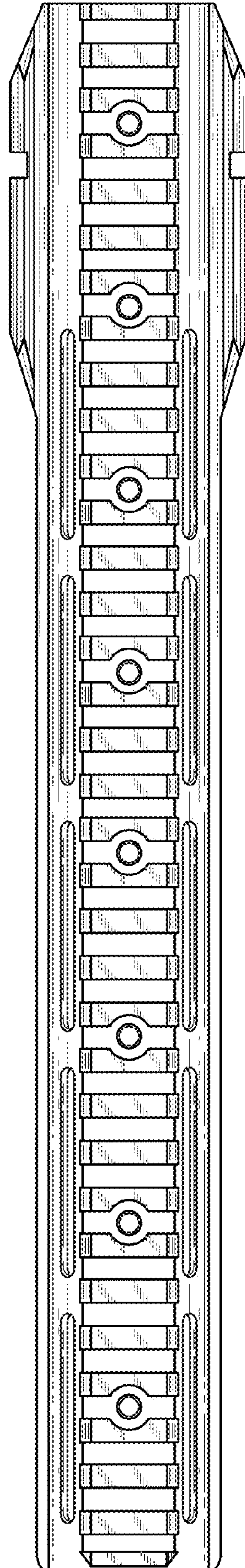


FIG. 5

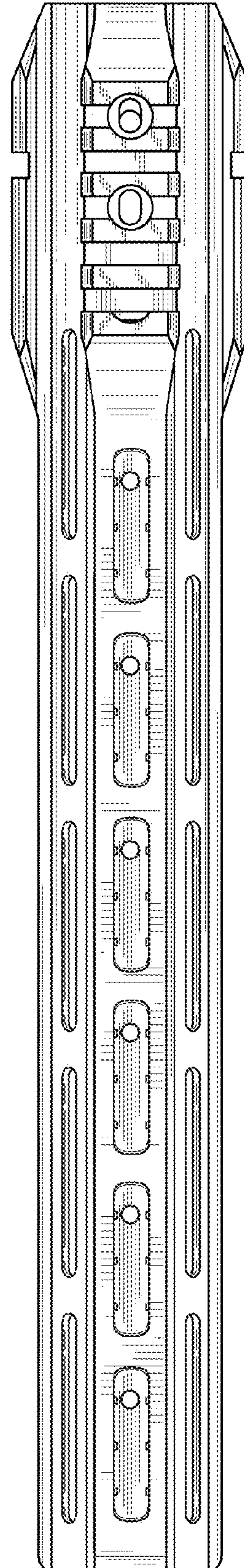


FIG. 6

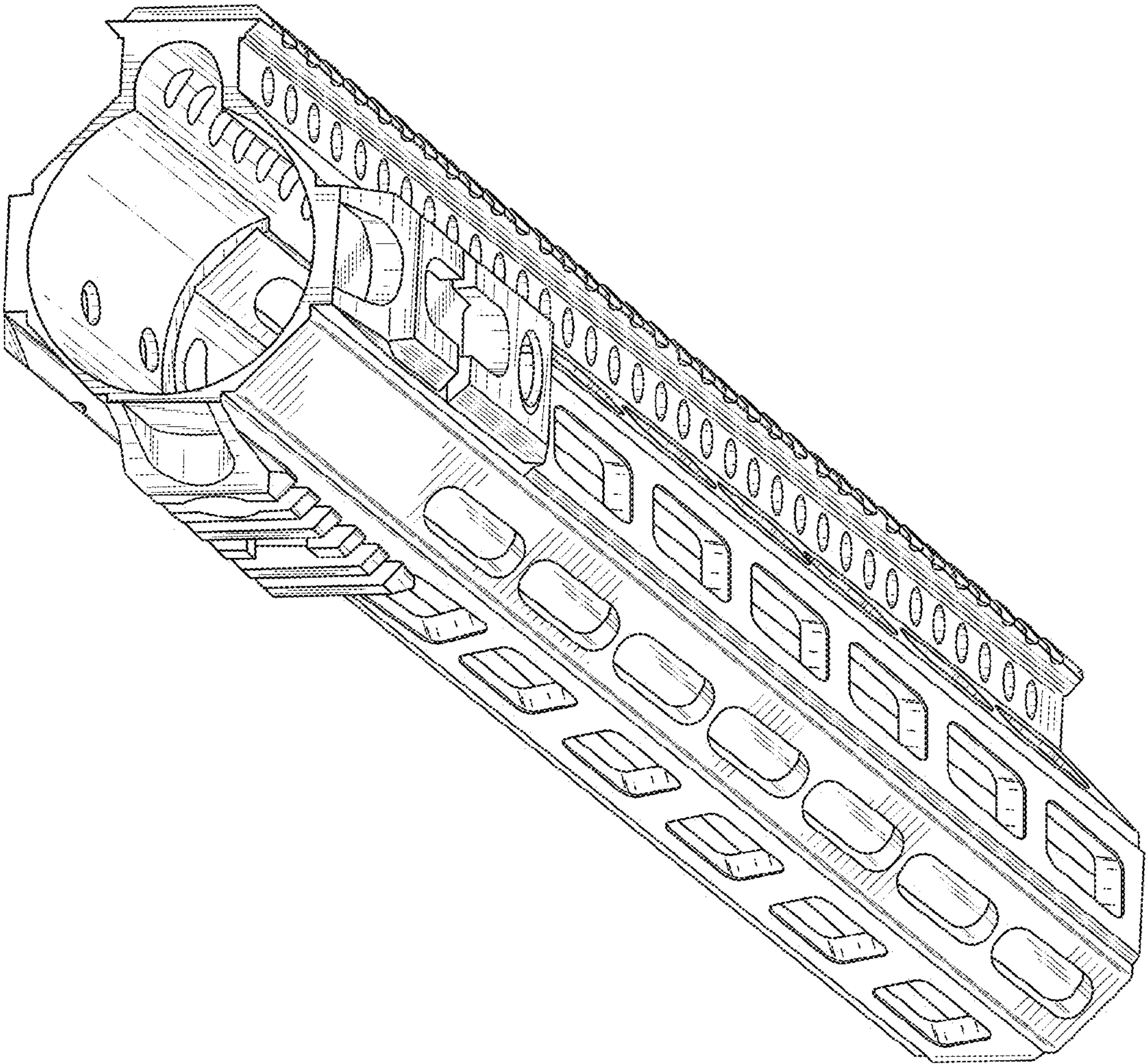


FIG. 7