



US00D752170S

(12) **United States Design Patent**
Koutný

(10) **Patent No.:** **US D752,170 S**
(45) **Date of Patent:** **** Mar. 22, 2016**

(54) **WEAPON**

(71) Applicant: **ZBROJOVKA BRNO, s.r.o.**, Brno -
Zabrdovice (CZ)

(72) Inventor: **Michal Koutný**, Veverska Bityska (CZ)

(73) Assignee: **ZBROJOVKA BRNO, S.R.O.** (CZ)

(**) Term: **14 Years**

(21) Appl. No.: **29/495,054**

(22) Filed: **Jun. 26, 2014**

(30) **Foreign Application Priority Data**

Mar. 24, 2014 (EM) 002431007

(51) **LOC (10) Cl.** **22-01**

(52) **U.S. Cl.**
USPC **D22/108**

(58) **Field of Classification Search**

USPC D22/103, 108; D21/572-575; 42/51,
42/71.01, 75.01, 75.02, 90, 94, 134, 136,
42/139, 125, 72, 111; 89/40.06, 41.19,
89/37.04, 33.04, 191.01, 200-204;
124/67, 66, 72, 74

CPC F41C 7/00; F41C 7/11; F41C 7/12
See application file for complete search history.

(56) **References Cited**

U.S. PATENT DOCUMENTS

D611,111 S * 3/2010 Hajjar et al. D22/103
8,464,453 B1 * 6/2013 Ubl et al. 42/16
8,910,406 B1 * 12/2014 Huang et al. 42/16
2012/0102803 A1 * 5/2012 Troy et al. 42/71.01
2013/0125440 A1 * 5/2013 Zheng 42/14
2014/0130392 A1 * 5/2014 Oh et al. 42/84
2015/0052794 A1 * 2/2015 Underwood et al. 42/16
2015/0226501 A1 * 8/2015 Gibbens et al. 42/16

* cited by examiner

Primary Examiner — Michael A Pratt

(74) *Attorney, Agent, or Firm* — Bryant J. Keller; Kirton
McConkie, P.C.

(57) **CLAIM**

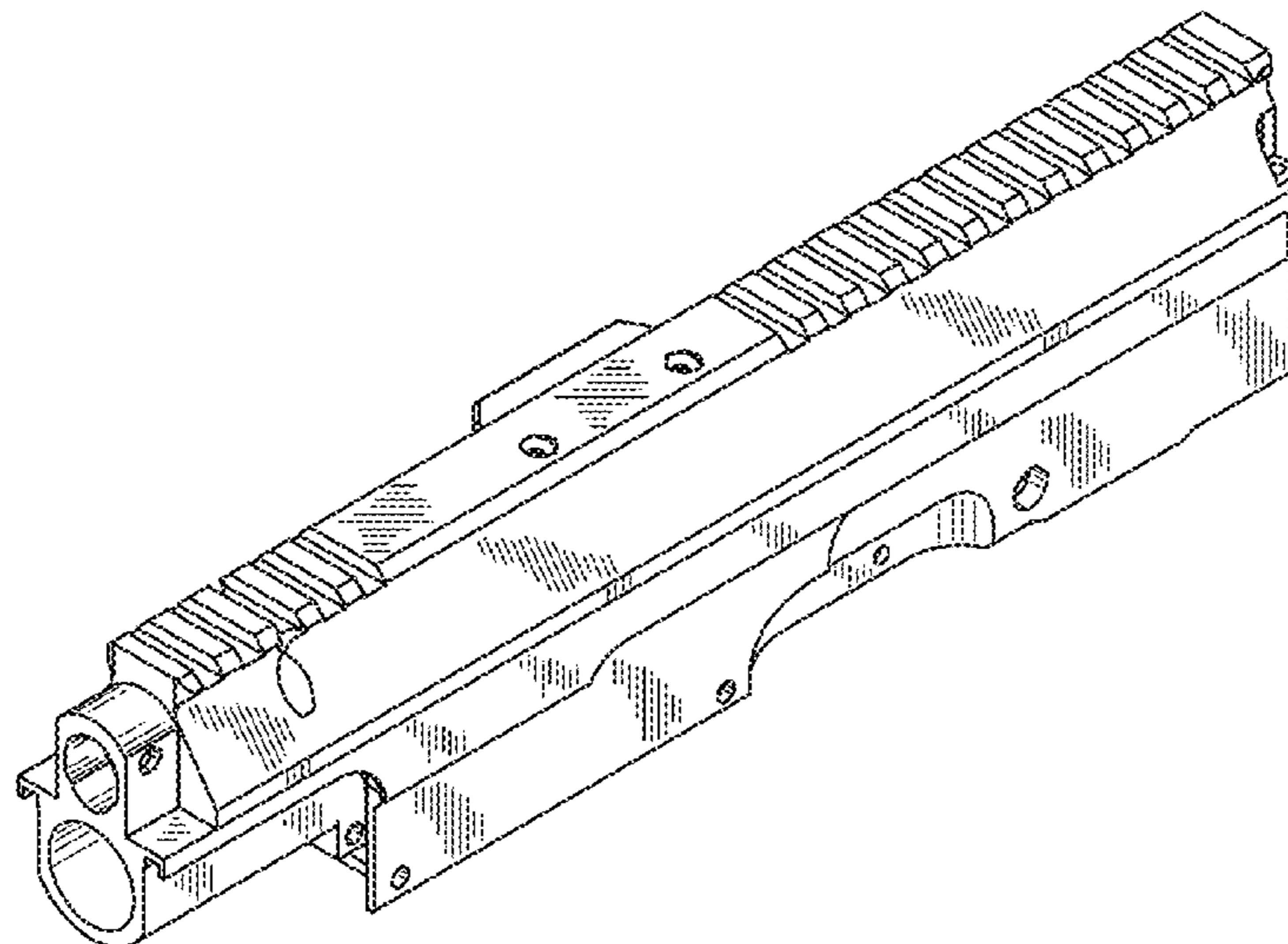
The ornamental design for a weapon, as shown and described.

DESCRIPTION

FIG. 1 is a front, left side perspective view showing a representative embodiment of my new design;
FIG. 2 is a back, right side perspective view thereof;
FIG. 3 is a front elevation view thereof;
FIG. 4 is a back elevation view thereof;
FIG. 5 is a right side elevation view thereof;
FIG. 6 is a left side elevation view thereof;
FIG. 7 is a top plan view thereof;
FIG. 8 is a bottom plan view thereof;
FIG. 9 is a back, right side perspective view thereof, wherein the weapon is assembled with a representative embodiment of a rifle assembly;
FIG. 10 is a back, left side perspective view thereof;
FIG. 11 is a front side elevation view thereof;
FIG. 12 is a back side elevation view thereof;
FIG. 13 is a left side elevation view thereof;
FIG. 14 is a right side elevation view thereof;
FIG. 15 is a top plan view thereof; and,
FIG. 16 is a bottom plan view thereof.

The broken lines showing a representative embodiment of the rifle assembly comprising the weapon are for environmental purposes only and form no part of the claimed design. Various aspects of the weapon shown in FIGS. 3, 4, and 8 illustrate portions of the weapon that do not form a part of the claimed design.

1 Claim, 8 Drawing Sheets



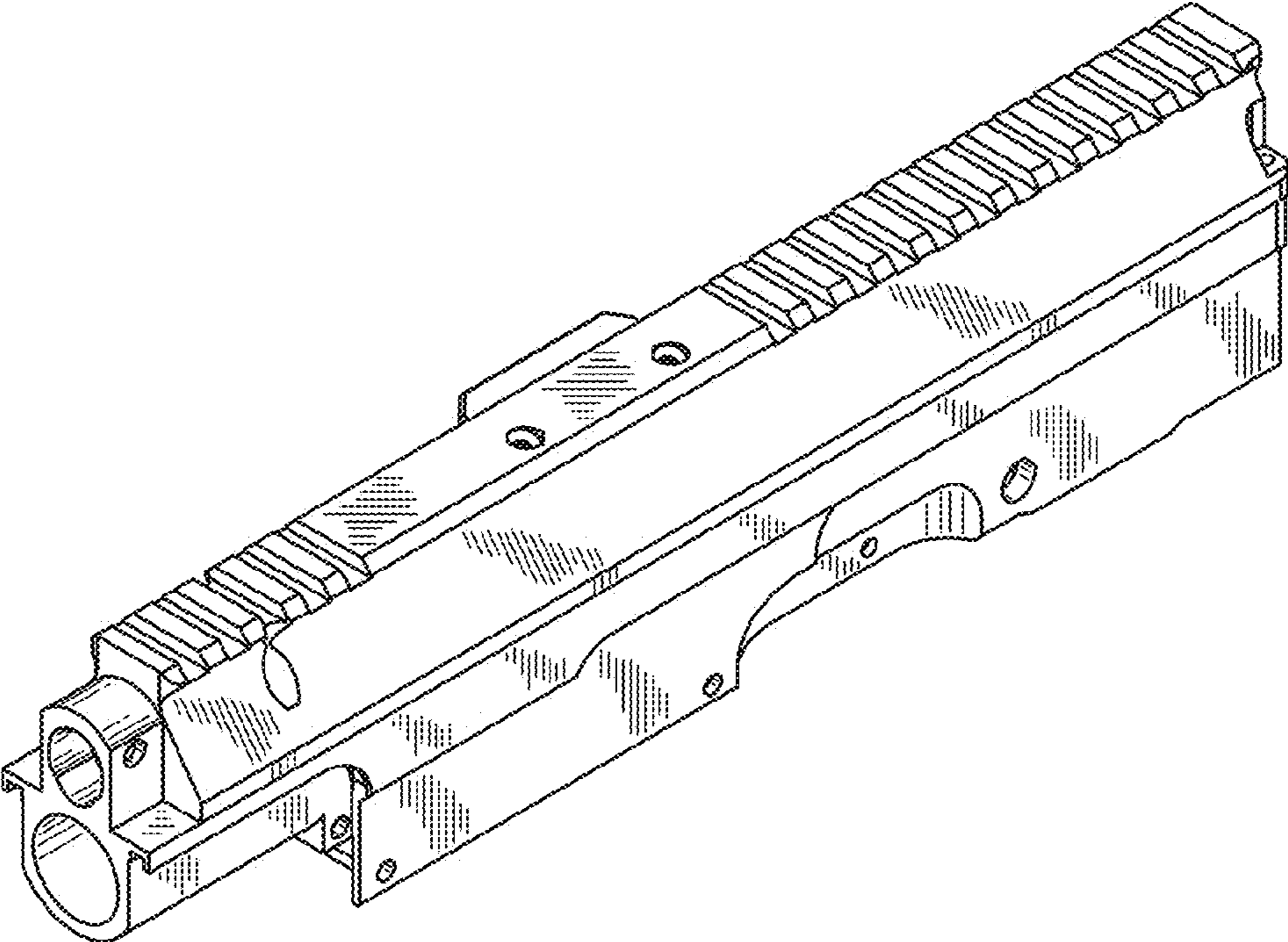


FIG. 1

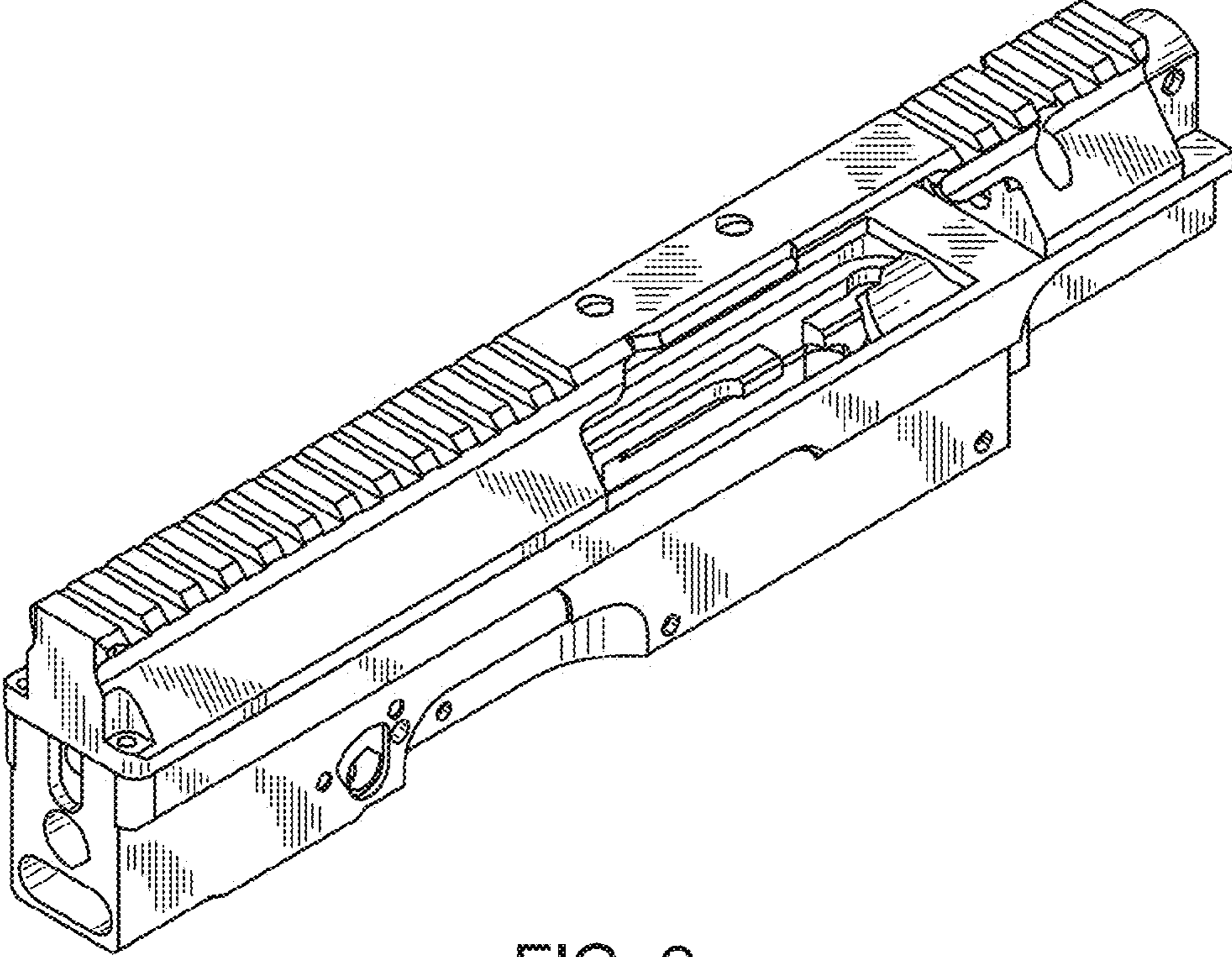


FIG. 2

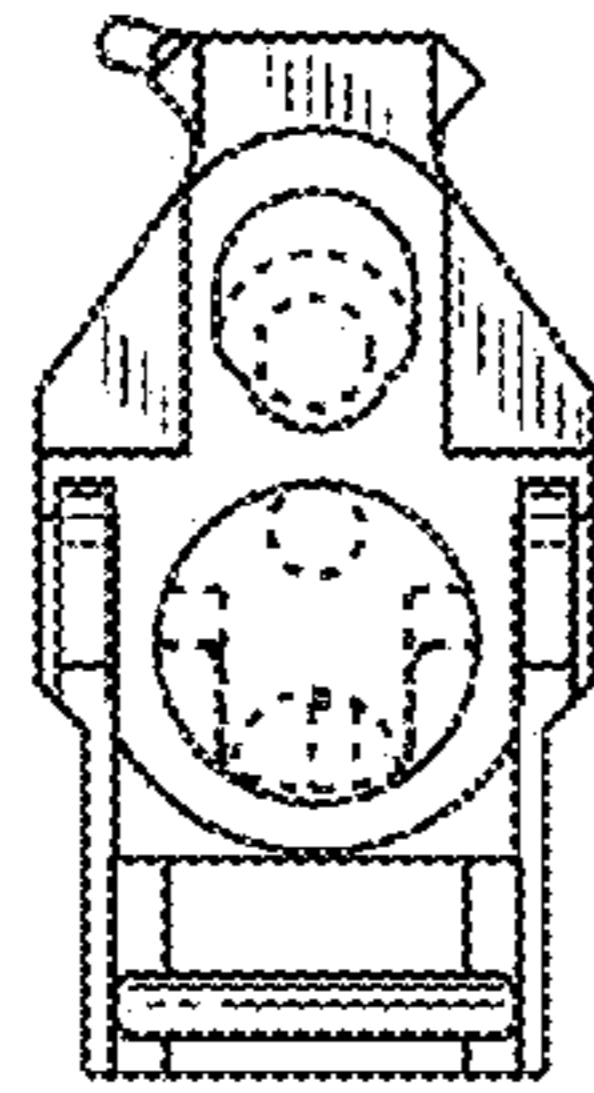


FIG. 3

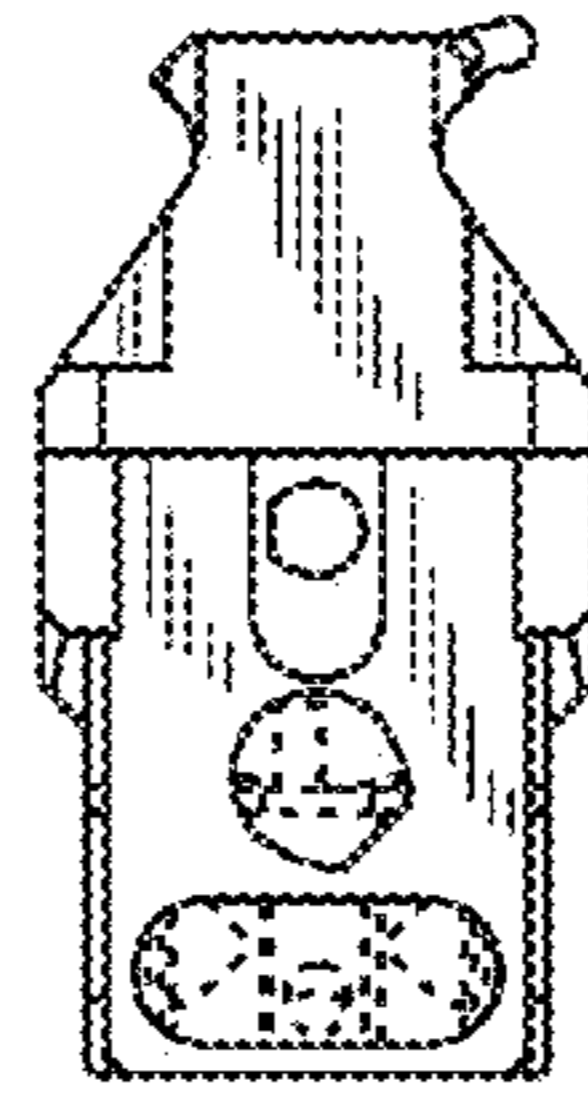


FIG. 4

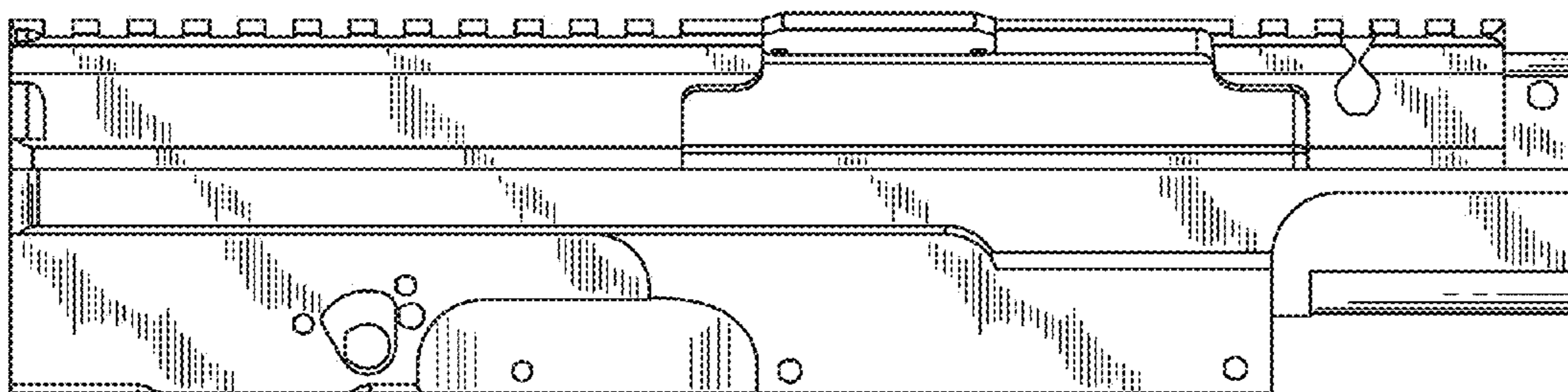


FIG. 5

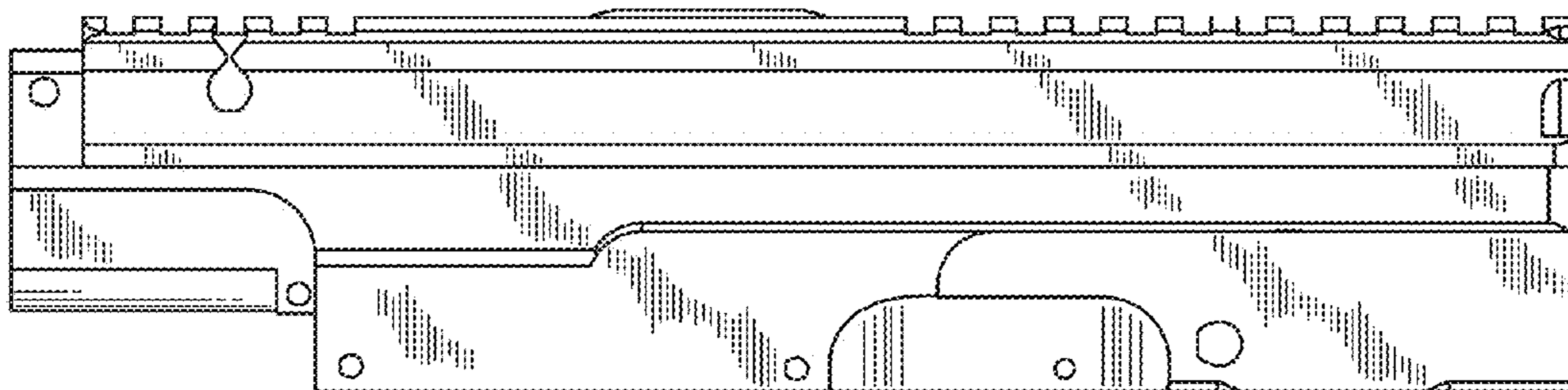


FIG. 6

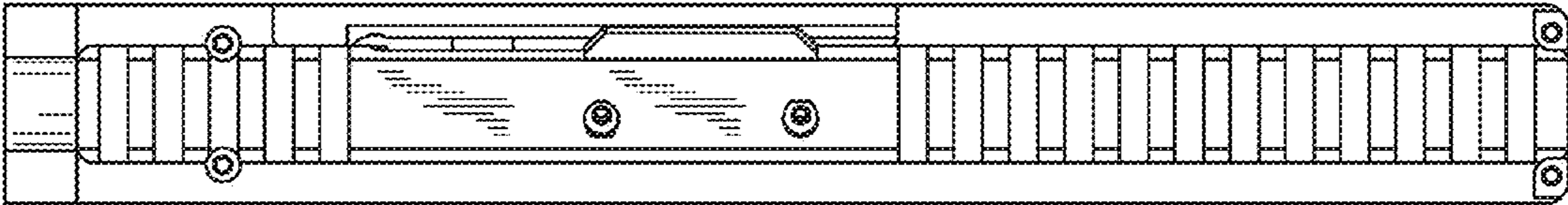


FIG. 7

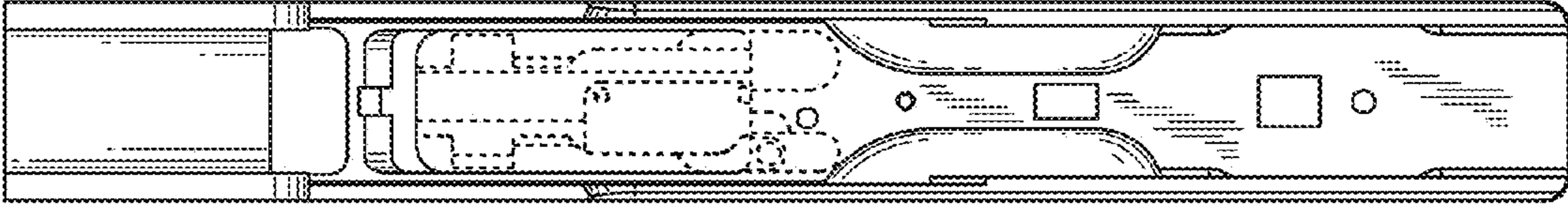


FIG. 8

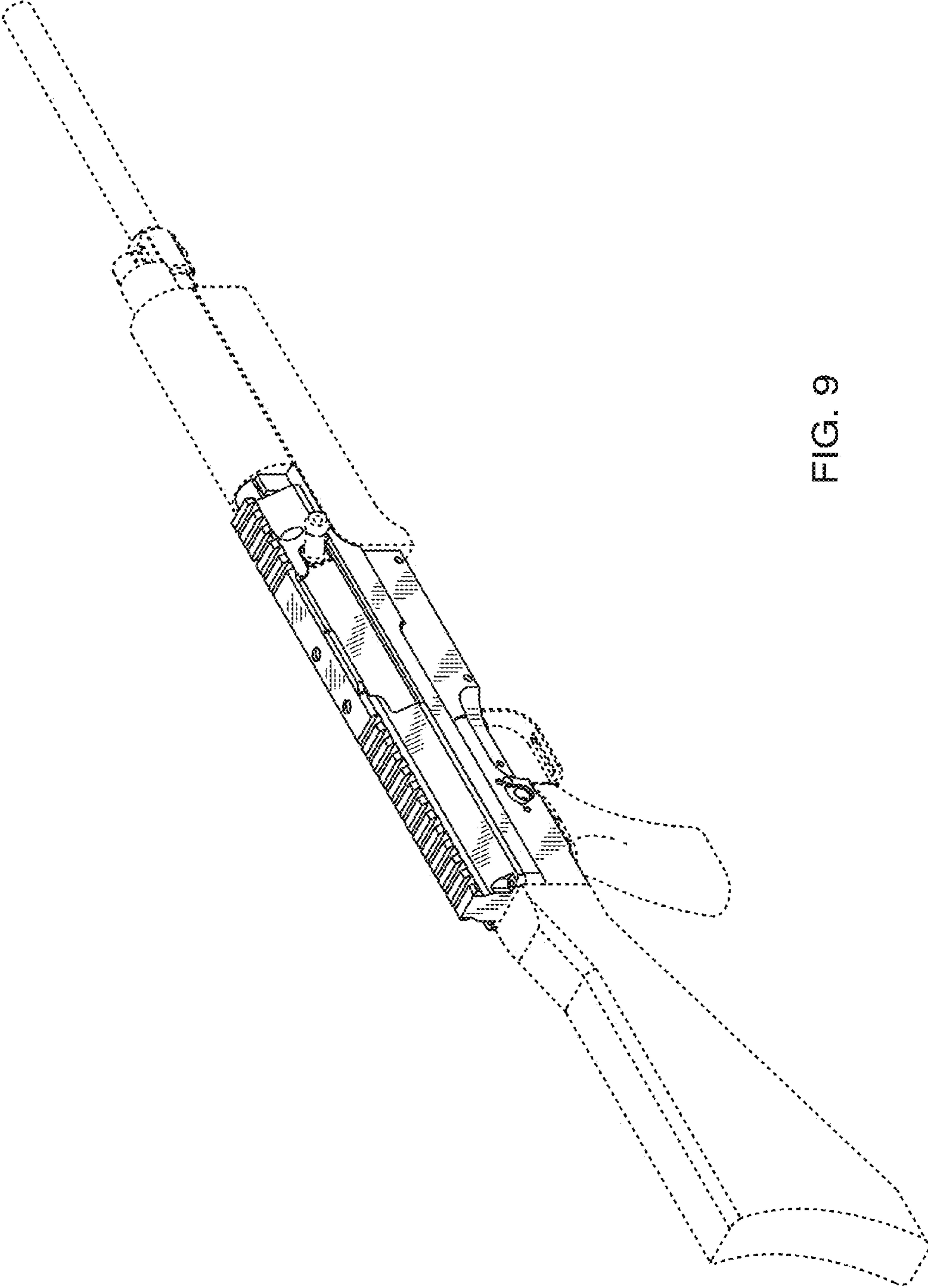


FIG. 9

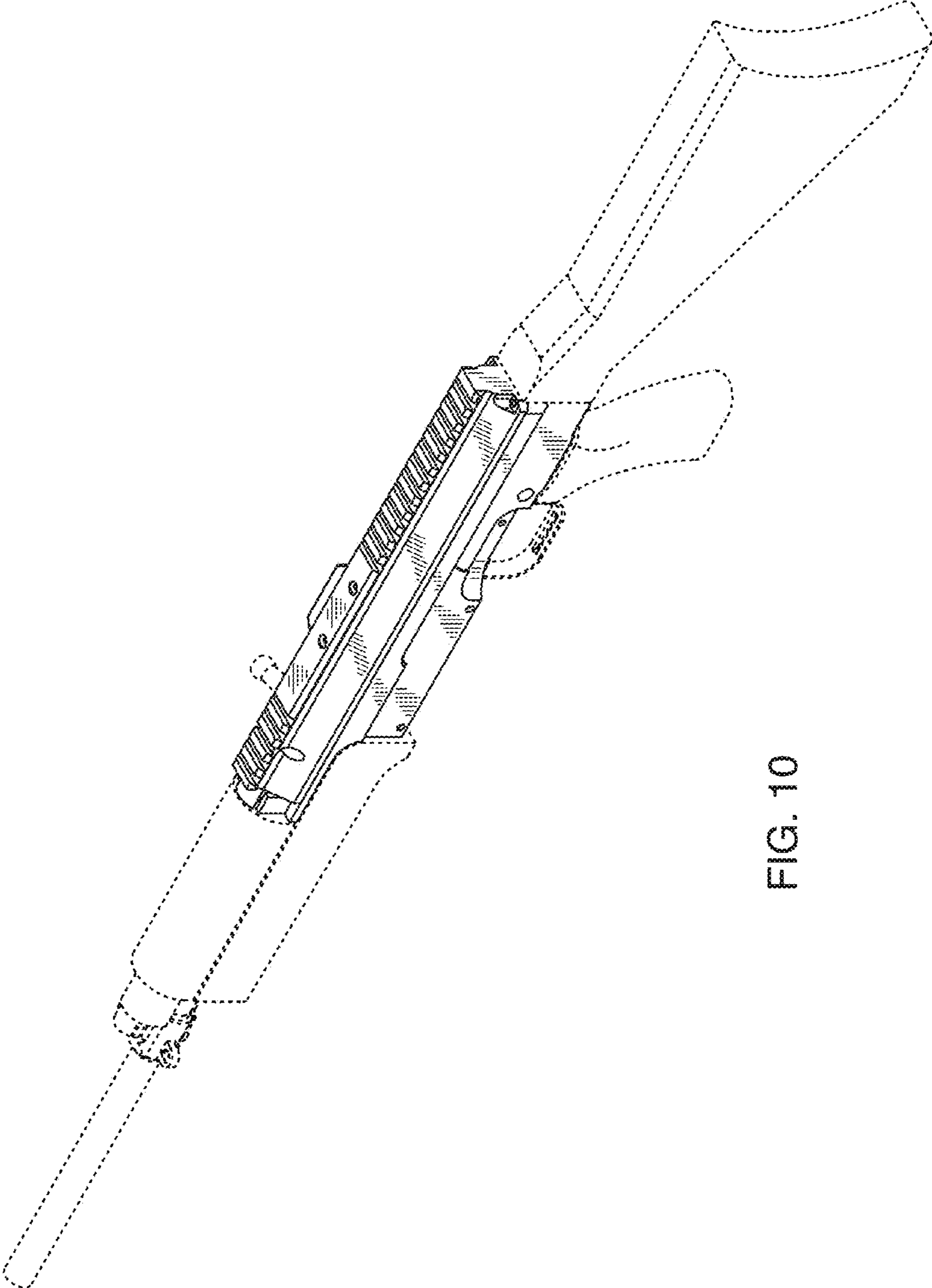


FIG. 10



FIG. 11

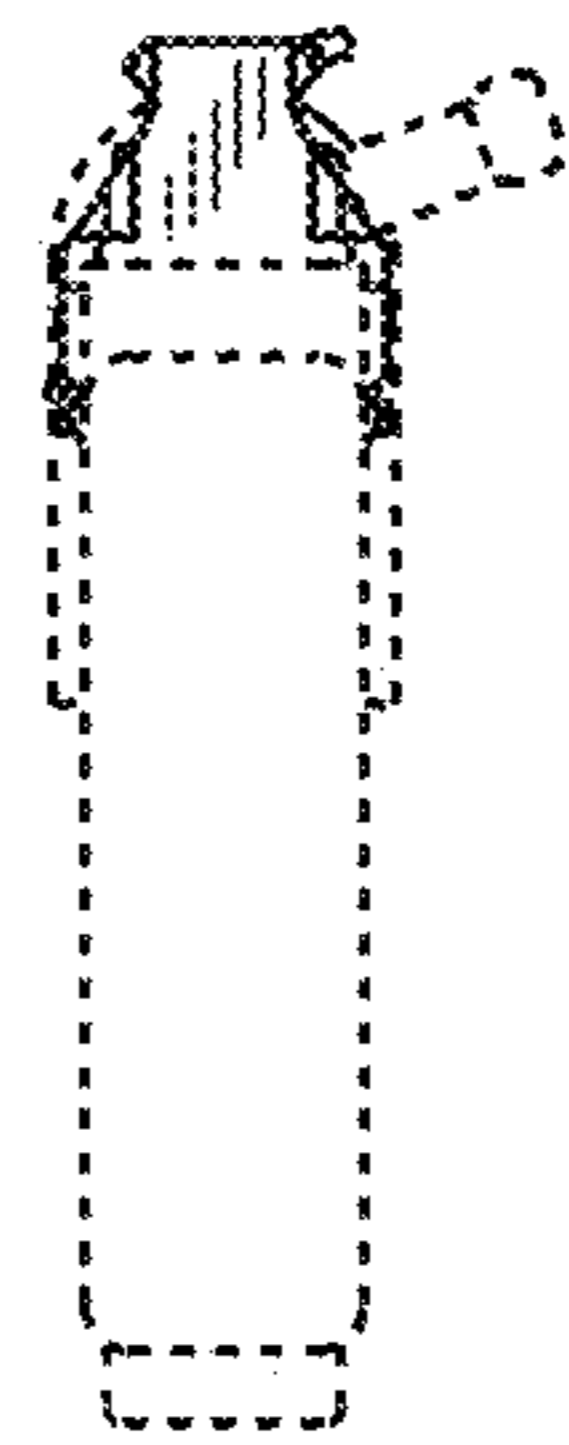


FIG. 12

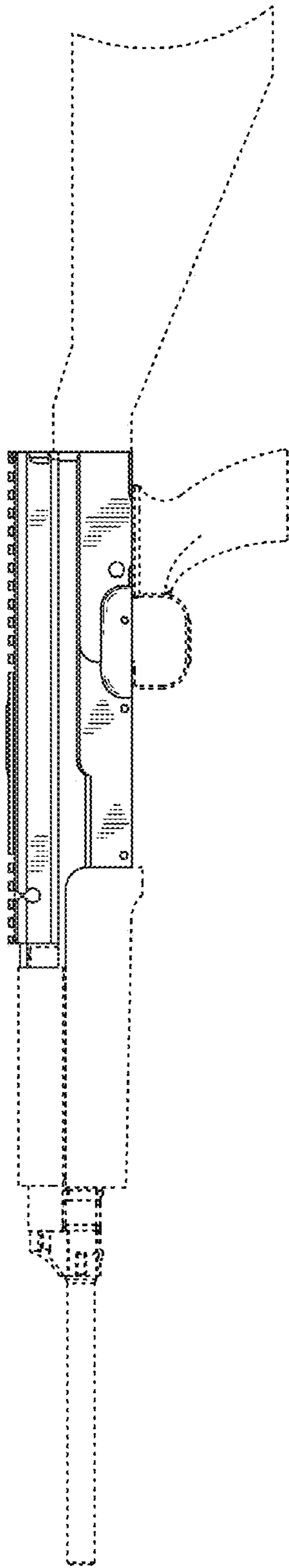


FIG. 13

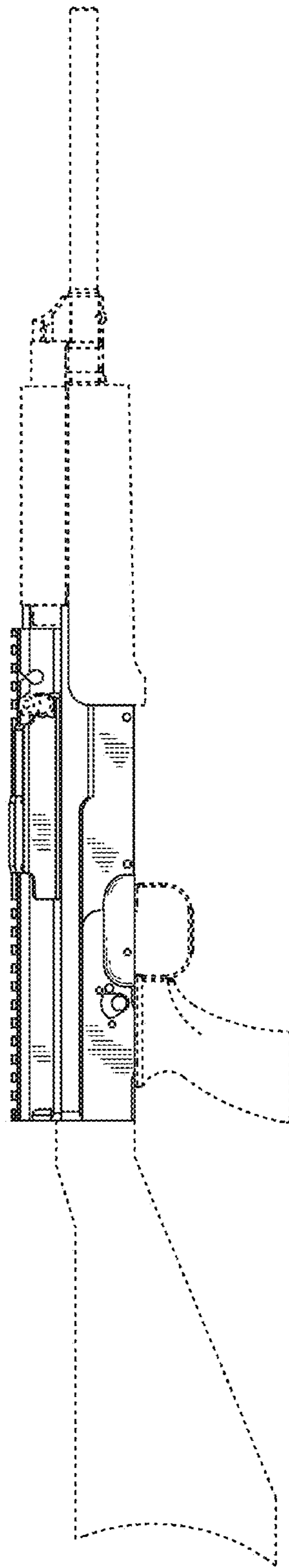


FIG. 14

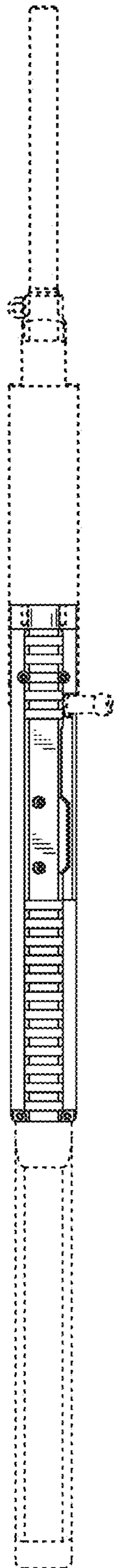


FIG. 15

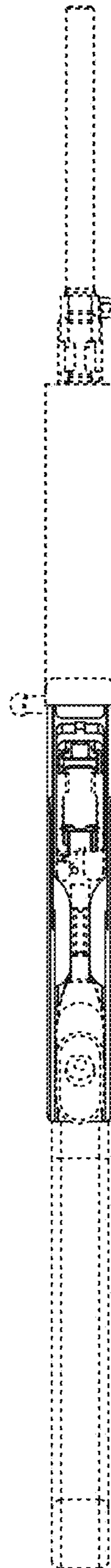


FIG. 16