



US00D752169S

(12) **United States Design Patent**
Merlino et al.

(10) **Patent No.:** **US D752,169 S**
(45) **Date of Patent:** **** Mar. 22, 2016**

(54) **HAND GUARD WITH INTERNAL RAIL MOUNTS**

(71) Applicant: **HARDENED ARMS LLC**, Friday Harbor, WA (US)

(72) Inventors: **Patrick Merlino**, Friday Harbor, WA (US); **Richard Merlino**, Friday Harbor, WA (US)

(73) Assignee: **HARDENED ARMS LLC**, Friday Harbor, WA (US)

(**) Term: **14 Years**

(21) Appl. No.: **29/494,547**

(22) Filed: **Jun. 20, 2014**

(51) **LOC (10) Cl.** **22-01**

(52) **U.S. Cl.**
USPC **D22/108**

(58) **Field of Classification Search**

USPC D22/103, 108; 362/109-114; 42/90, 94,
42/114, 117, 124-127, 131, 146
CPC F41C 23/10; F41C 23/14; F41C 23/16;
F41C 23/18

See application file for complete search history.

(56) **References Cited**

U.S. PATENT DOCUMENTS

6,345,464	B1 *	2/2002	Kim et al.	42/114
8,201,353	B1 *	6/2012	Swan	42/71.01
9,032,658	B2 *	5/2015	Geissele	42/71.01
2014/0013642	A1 *	1/2014	Larson, Jr.	42/71.01

(Continued)

Primary Examiner — Michael A Pratt

(74) *Attorney, Agent, or Firm* — AEON Law; Adam L. K. Philipp

(57) **CLAIM**

An ornamental design for a hand guard with internal rail mounts, as shown and described.

DESCRIPTION

FIG. 1 is a perspective view of a first embodiment a hand guard showing our new design and illustrative top Picatinny rail, rear accessory load gap, and rifle accessories mounted in dual internal rail mounts;

FIG. 2 is a front plan view of the hand guard with the dual internal rail mounts of FIG. 1 showing our new design and illustrative top Picatinny rail and rifle accessories mounted in the dual internal rail mounts;

FIG. 3 is a rear plan view of the hand guard with the dual internal rail mounts of FIG. 1 showing our new design and illustrative top Picatinny rail and rifle accessories mounted in the dual internal rail mounts;

FIG. 4 is a top plan view taken from the uppermost side of FIG. 1 showing our design and the illustrative top Picatinny rail;

FIG. 5 is a bottom plan view taken from the lowermost side of FIG. 1 showing our design and the illustrative rear accessory load gap,

FIG. 6 is a side plan view taken from the right side of FIG. 1 showing our design and the illustrative top Picatinny rail and the rear accessory load gap;

FIG. 7 is a perspective view of second embodiment a hand guard showing our new design and illustrative top Picatinny rail, rear accessory load gap, and rifle accessories mounted in treble internal rail mounts;

FIG. 8 is a front plan view of the hand guard with the treble internal rail mounts of FIG. 7 showing our new design and the illustrative top Picatinny rail and the rifle accessories mounted in the treble internal rail mounts;

FIG. 9 is a rear plan view of the hand guard with the treble internal rail mounts of FIG. 7 showing our new design and the illustrative rifle accessories mounted in the treble internal rail mounts;

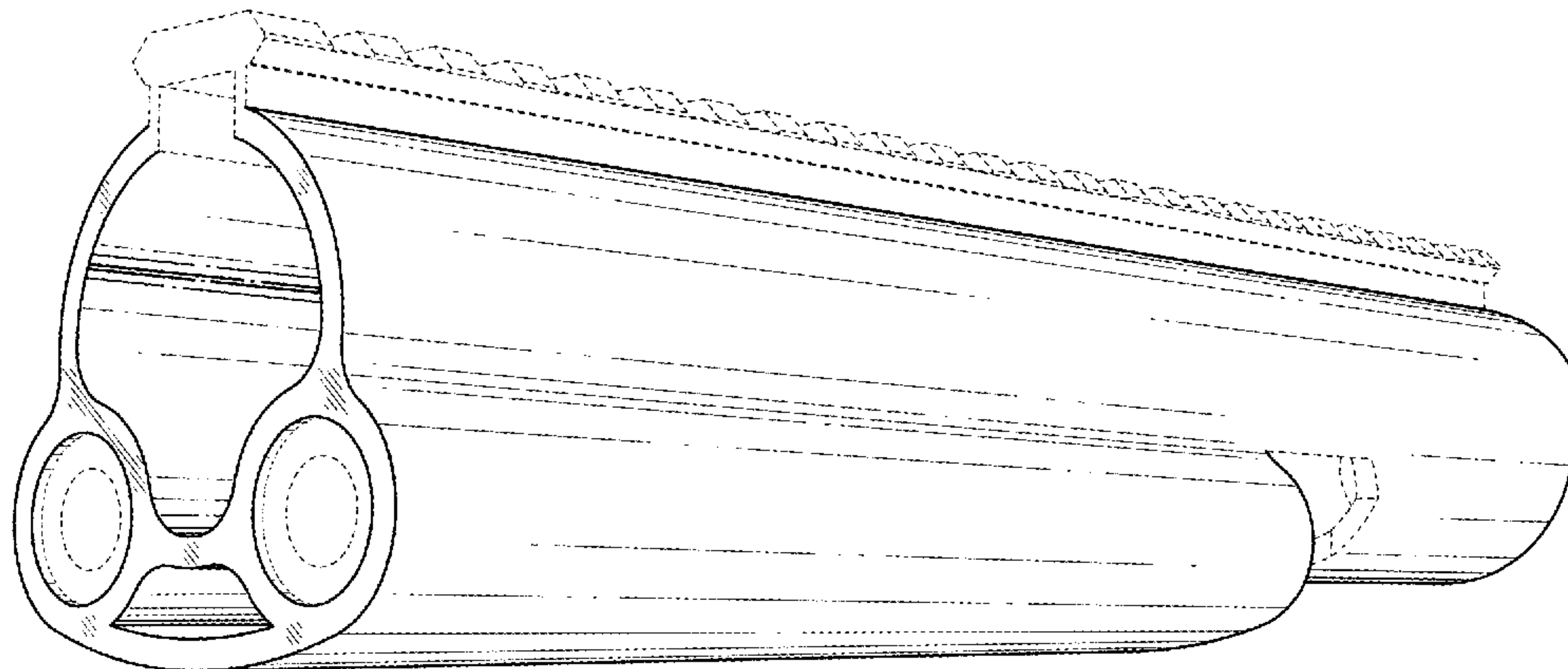
FIG. 10 is a top plan view taken from the uppermost side of FIG. 7 showing our design and the illustrative top Picatinny rail;

FIG. 11 is a bottom plan view taken from the lowermost side of FIG. 7 showing our design and the illustrative rear accessory load gap; and,

FIG. 12 is a side plan view taken from the right side of FIG. 7 showing our design and the illustrative top Picatinny rail and the rear accessory load gap.

The Picatinny rail, rear accessory load gap, and rifle accessories (drawn with phantom line) in FIGS. 1-12 are provided for illustrative purposes only and are not considered part of the design.

1 Claim, 4 Drawing Sheets



US D752,169 S

Page 2

(56)

References Cited

U.S. PATENT DOCUMENTS

2014/0130390 A1*	5/2014	Geissele	42/71.01
2014/0157640 A1*	6/2014	Whelan	42/75.02
2014/0260946 A1*	9/2014	Gomez	89/191.01

2014/0115939 A1* 5/2014 Troy et al. 42/72 * cited by examiner

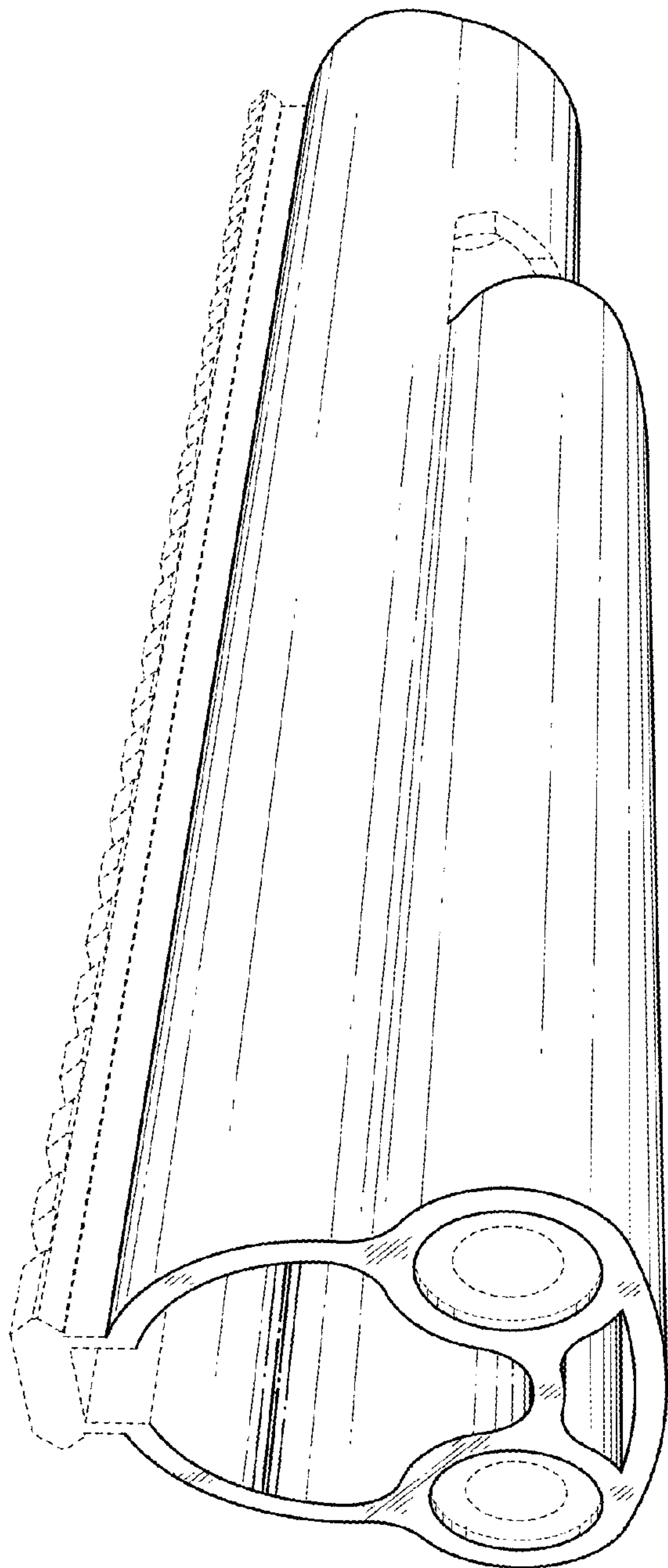


Fig. 1

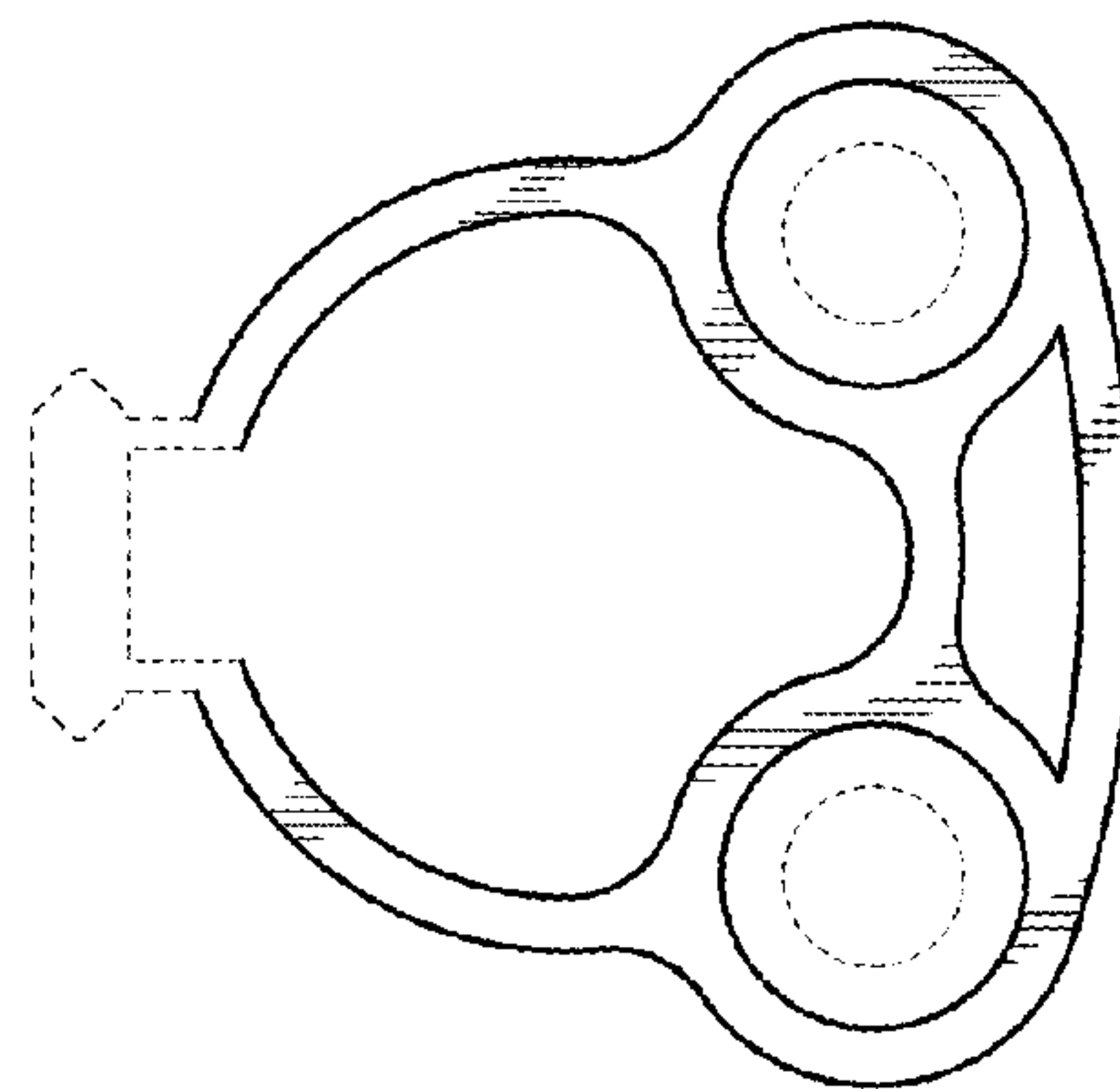


Fig. 2

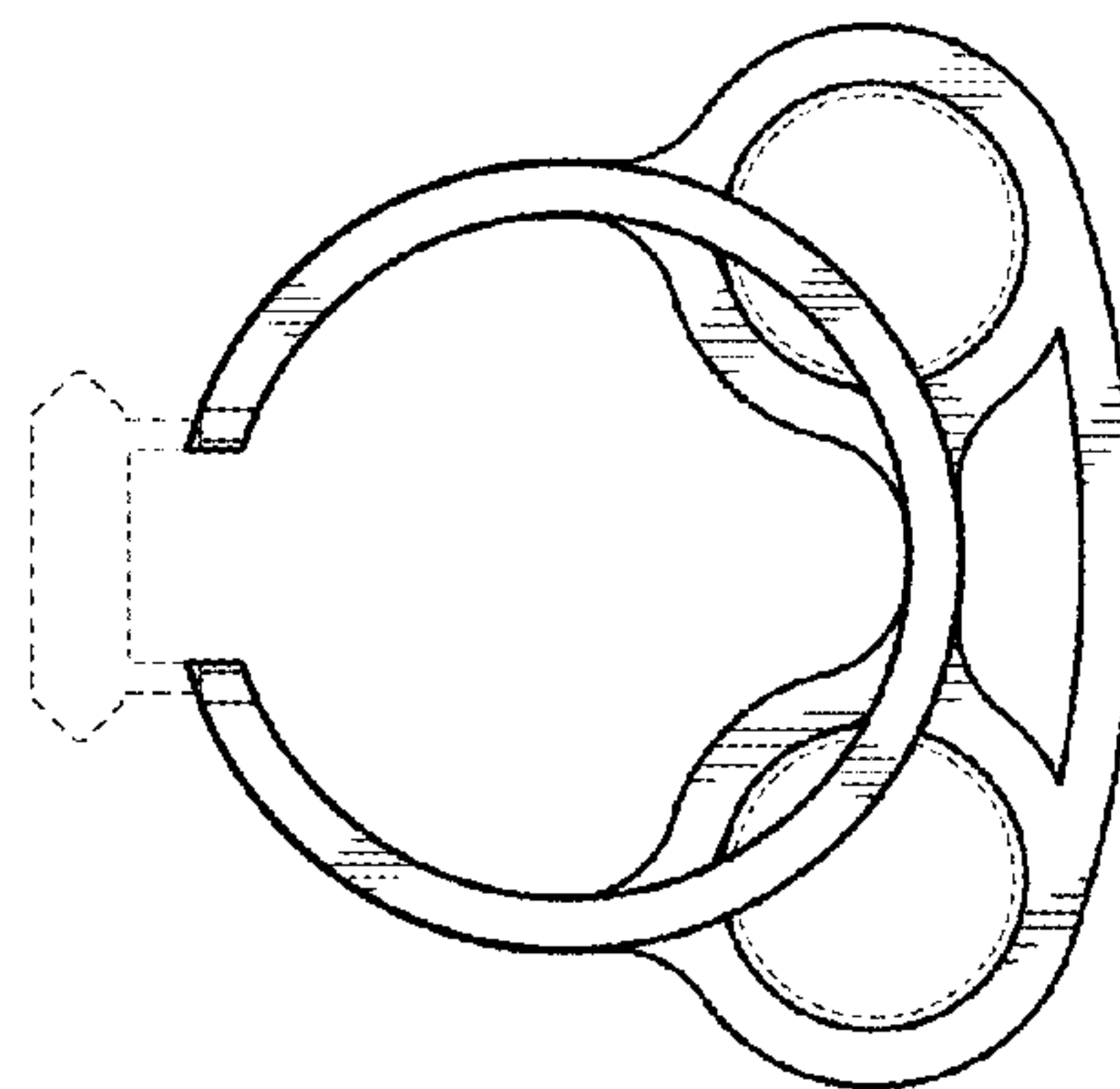


Fig. 3

Fig. 4

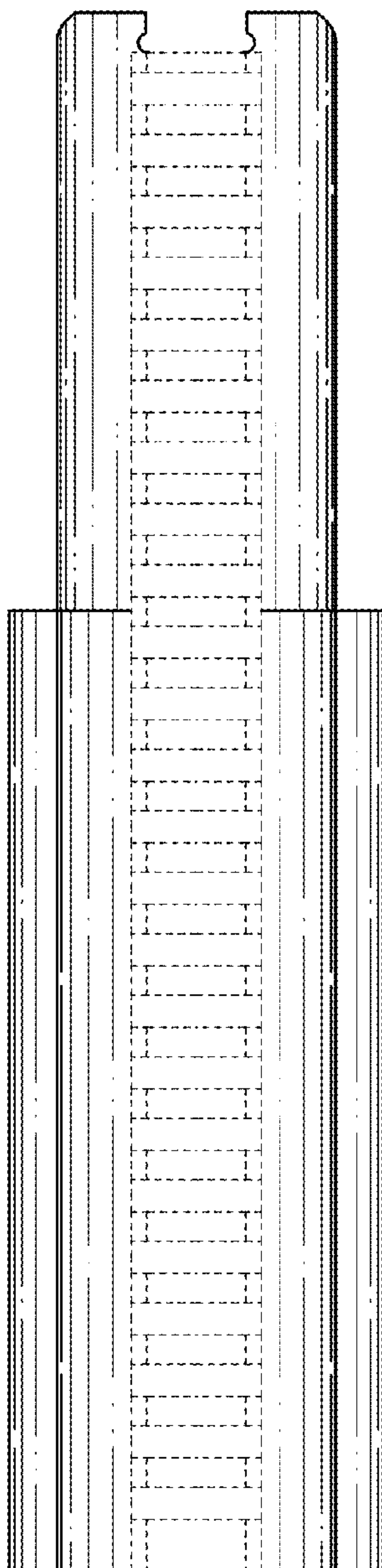


Fig. 5

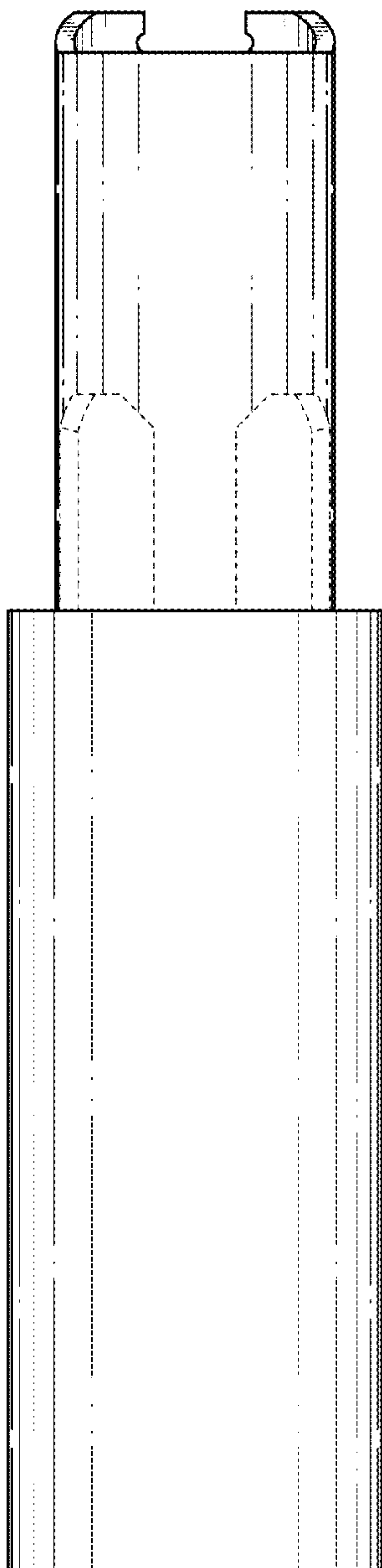
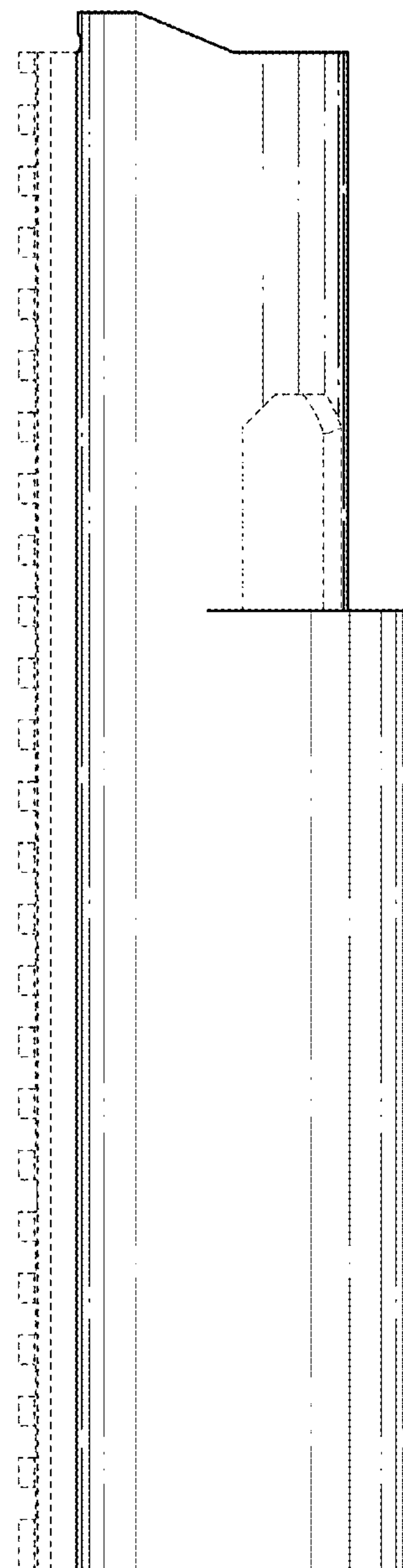


Fig. 6



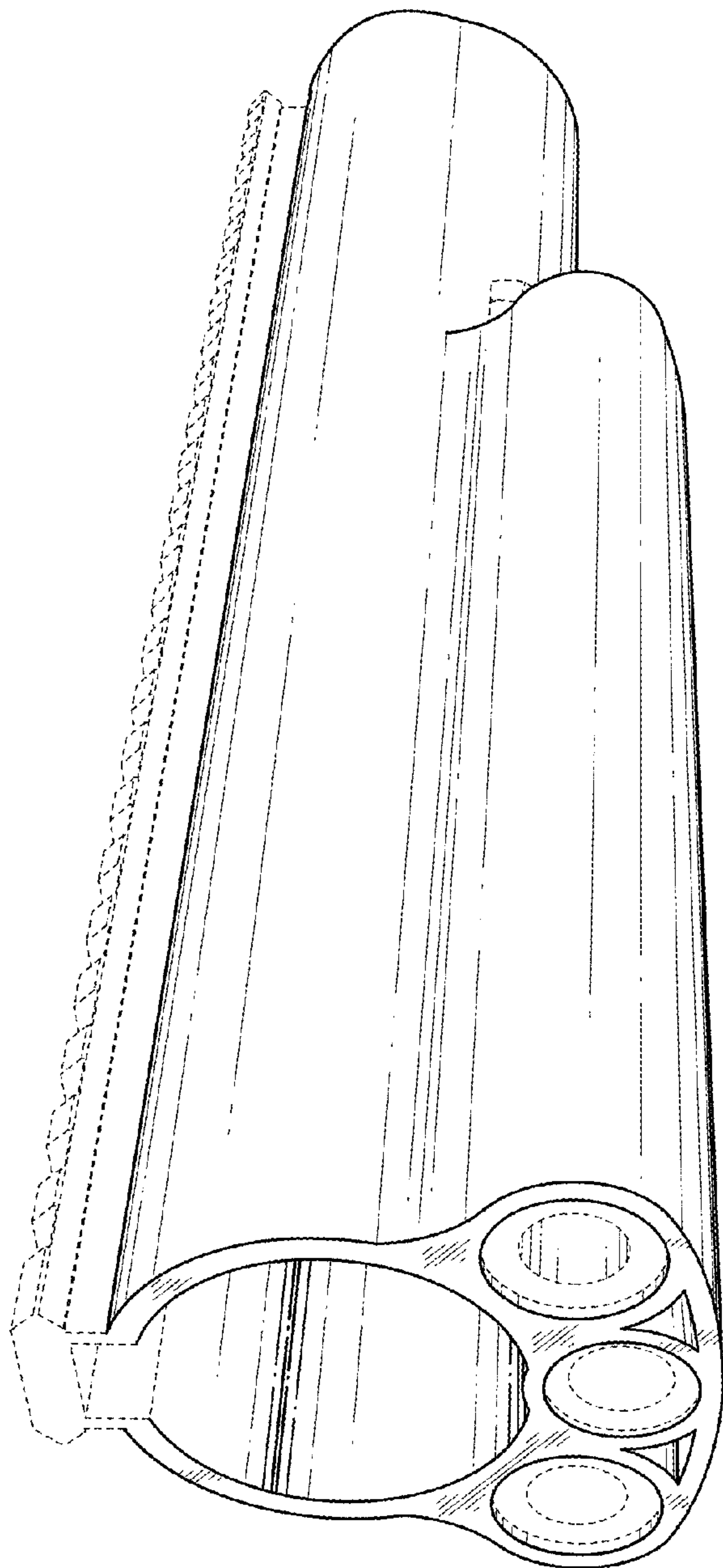


Fig. 7

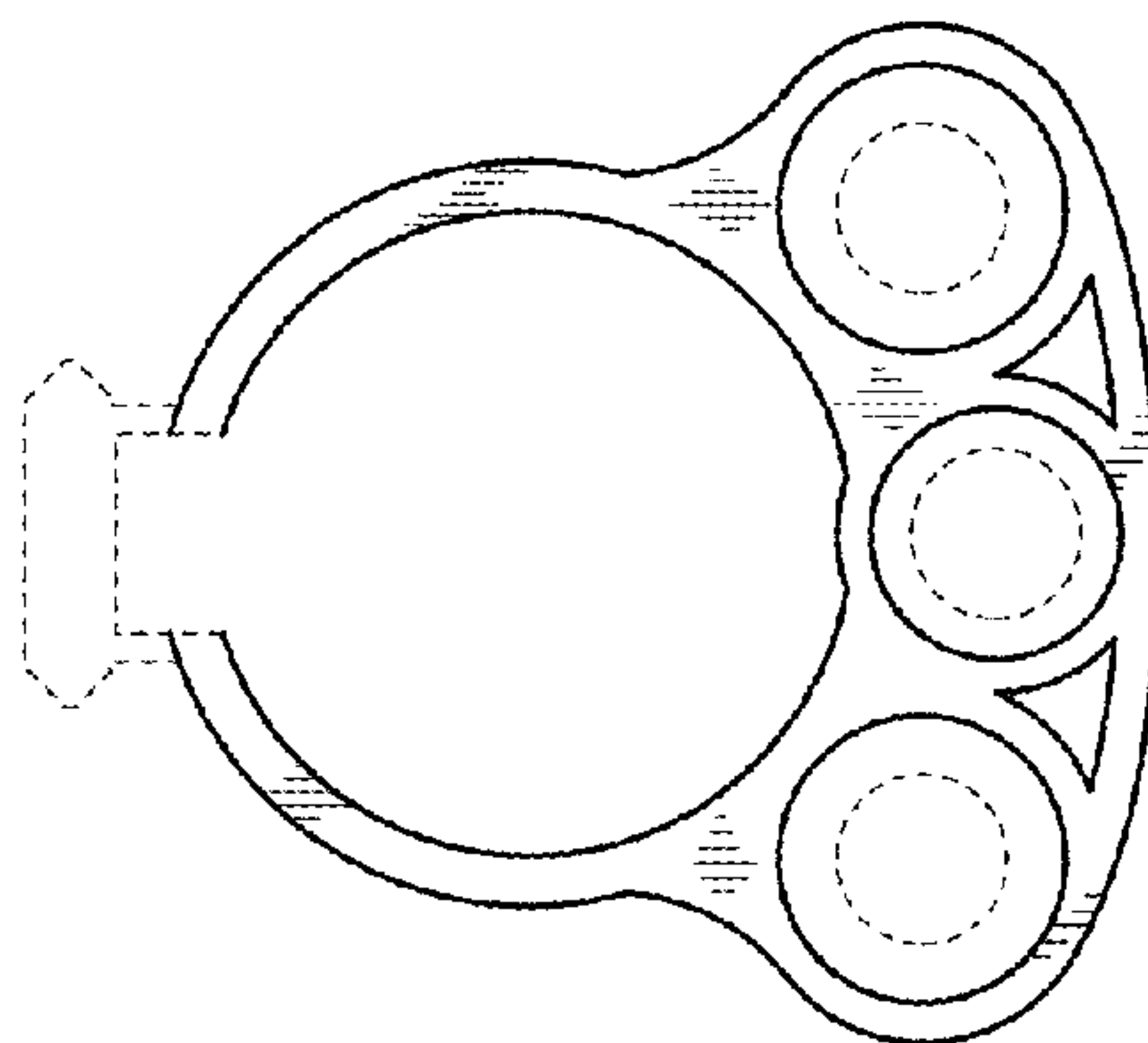


Fig. 8

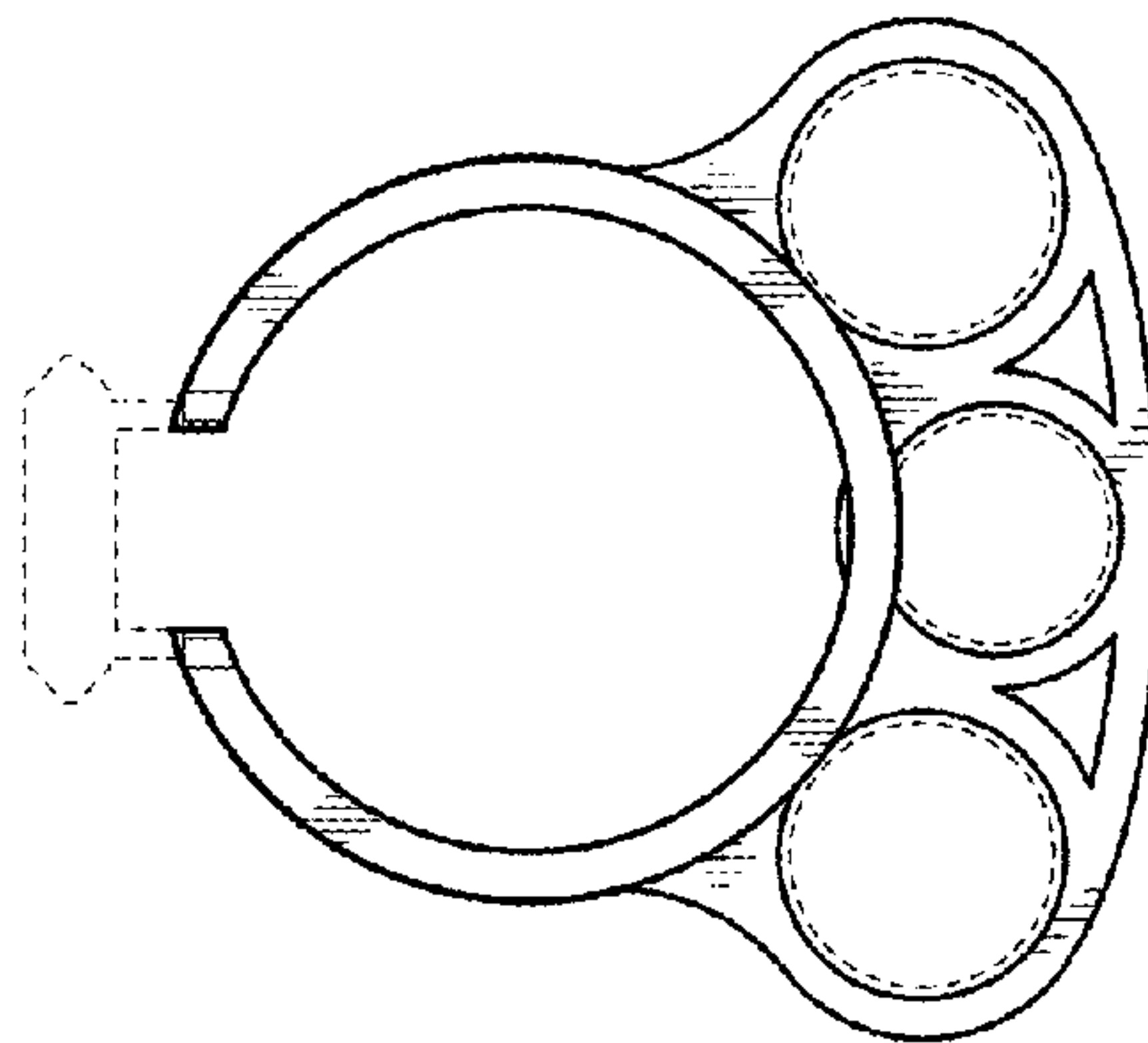


Fig. 9

Fig. 10

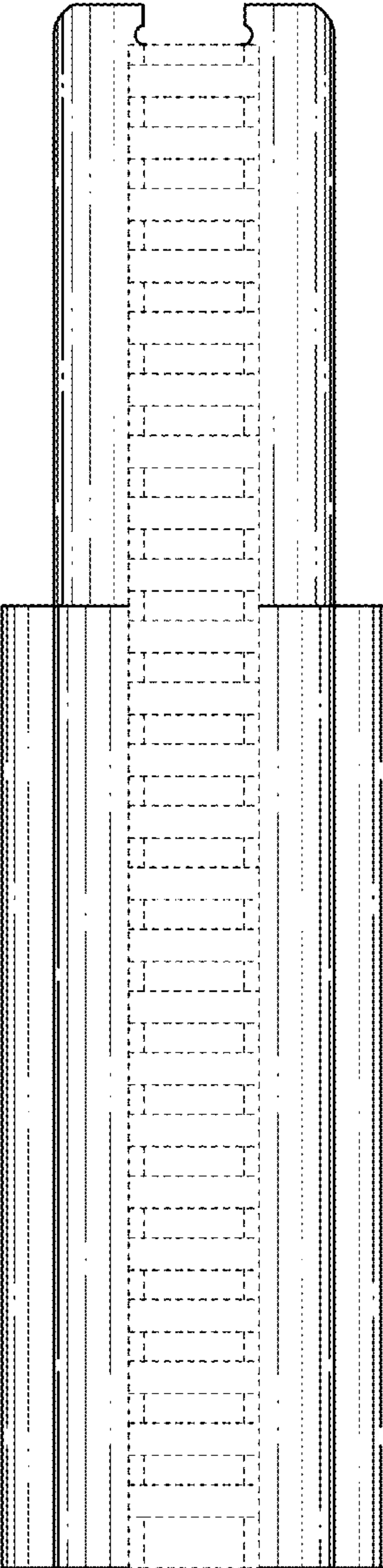


Fig. 11

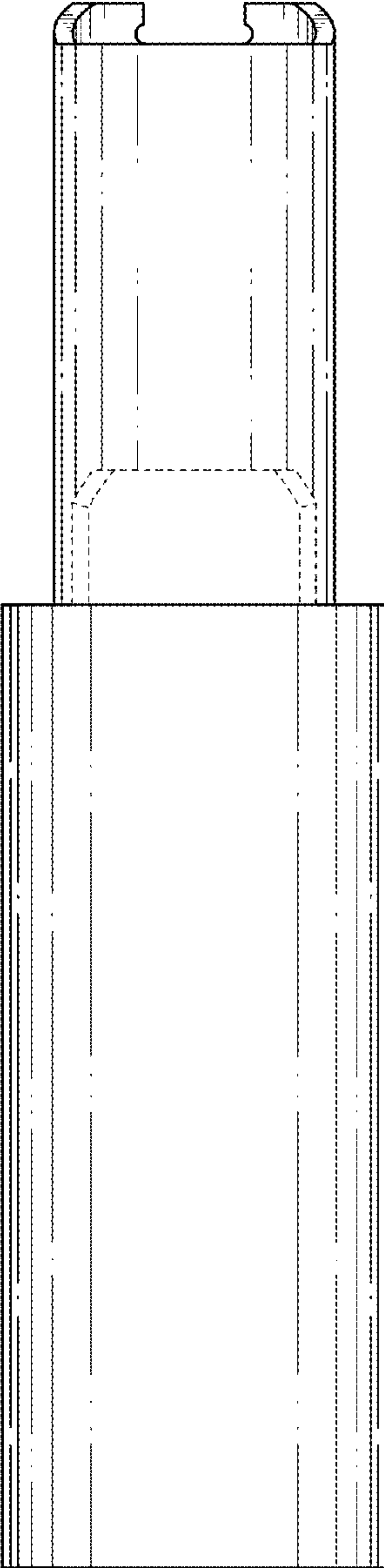


Fig. 12

