



US00D752168S

(12) **United States Design Patent**
Yan

(10) **Patent No.:** **US D752,168 S**
(45) **Date of Patent:** **** Mar. 22, 2016**

(54) **FLOATING DEVICE FOR HUMAN RELAXATION ON WATER**

(71) Applicant: **Cary Yan**, Moffett Field, CA (US)

(72) Inventor: **Cary Yan**, Moffett Field, CA (US)

(**) Term: **14 Years**

(21) Appl. No.: **29/497,425**

(22) Filed: **Jul. 24, 2014**

(51) **LOC (10) Cl.** **21-02**

(52) **U.S. Cl.**
USPC **D21/803**

(58) **Field of Classification Search**
USPC D21/769-770, 801, 803, 809; 114/253,
114/345-346; 441/35, 66, 74, 40-42,
441/129-132; 472/128-129; D12/5, 6, 316;
D6/392, 595, 596, 601, 604, 605
CPC B63B 35/76; B63B 35/74; A61H 37/005
See application file for complete search history.

(56) **References Cited**

U.S. PATENT DOCUMENTS

D394,095 S * 5/1998 Kuan D21/809
D435,620 S * 12/2000 Peterson D21/803

D451,567 S * 12/2001 Gordon D21/801
D511,555 S * 11/2005 Kracke D21/801
D518,547 S * 4/2006 Peterson D21/801
D706,373 S * 6/2014 Cirjack et al. D21/803

* cited by examiner

Primary Examiner — Zenia Bennett

(74) *Attorney, Agent, or Firm* — Dahyee Law Group; Leon E. Jew

(57) **CLAIM**

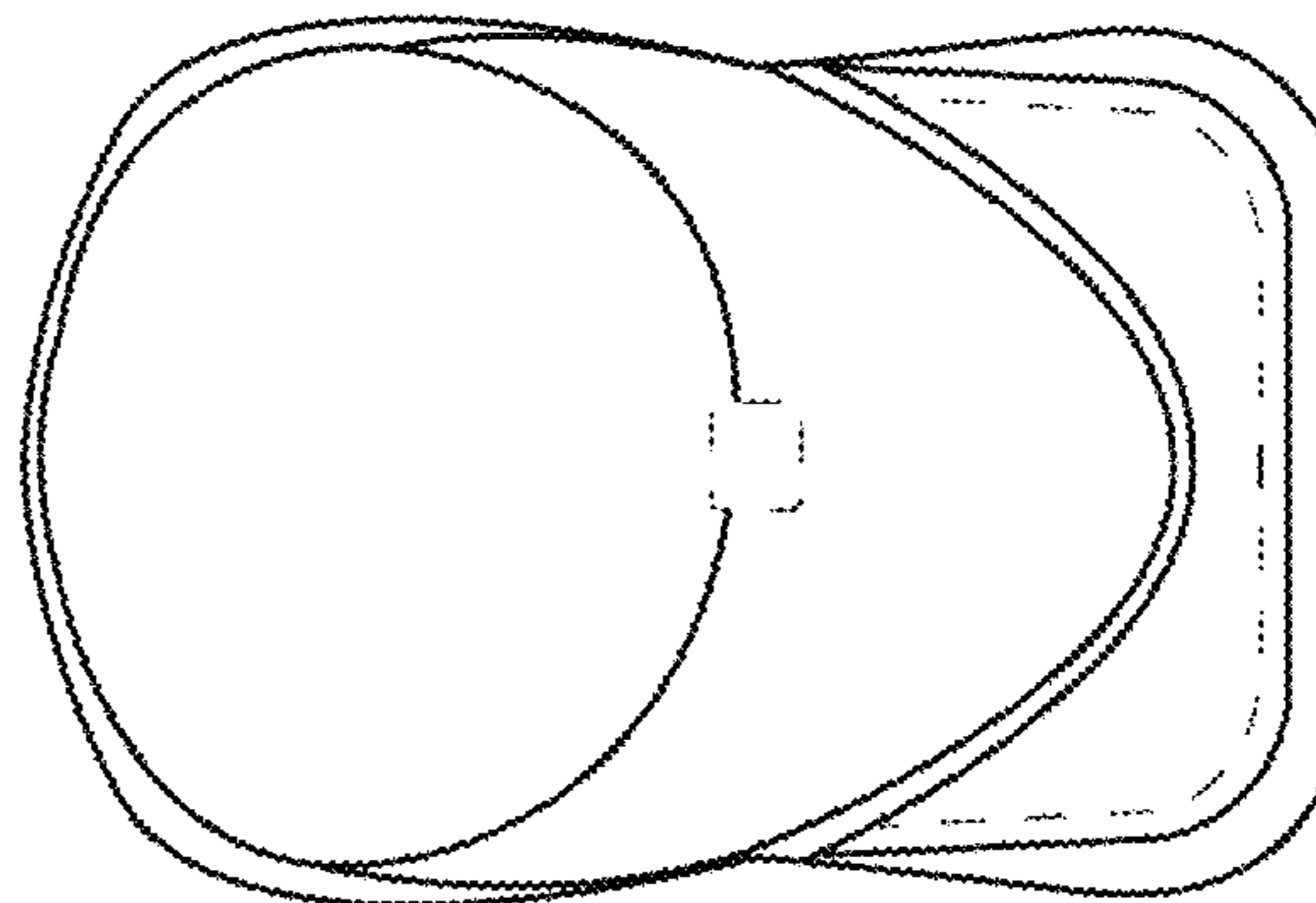
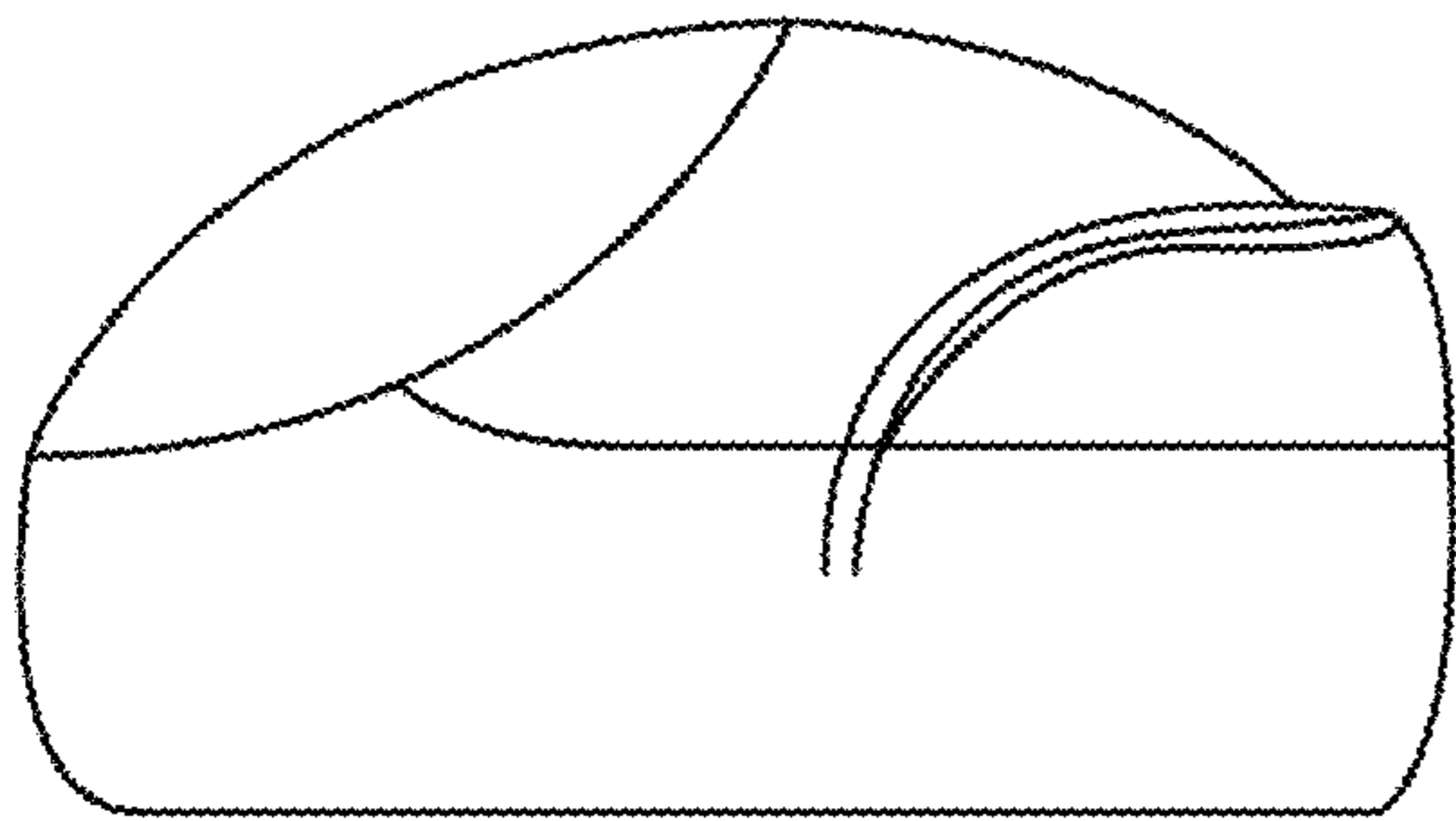
The ornamental design for a floating device for human relaxation on water, as shown and described.

DESCRIPTION

FIG. 1 is a right side view of a floating device for human relaxation on water shown as a new design;
FIG. 2 is a left side view thereof;
FIG. 3 is a front side view thereof;
FIG. 4 is a back side view thereof;
FIG. 5 is a top view thereof; and,
FIG. 6 is a bottom view thereof.

The broken lines in the drawing are for illustrative purposes only and form no part of the claimed design.

1 Claim, 3 Drawing Sheets



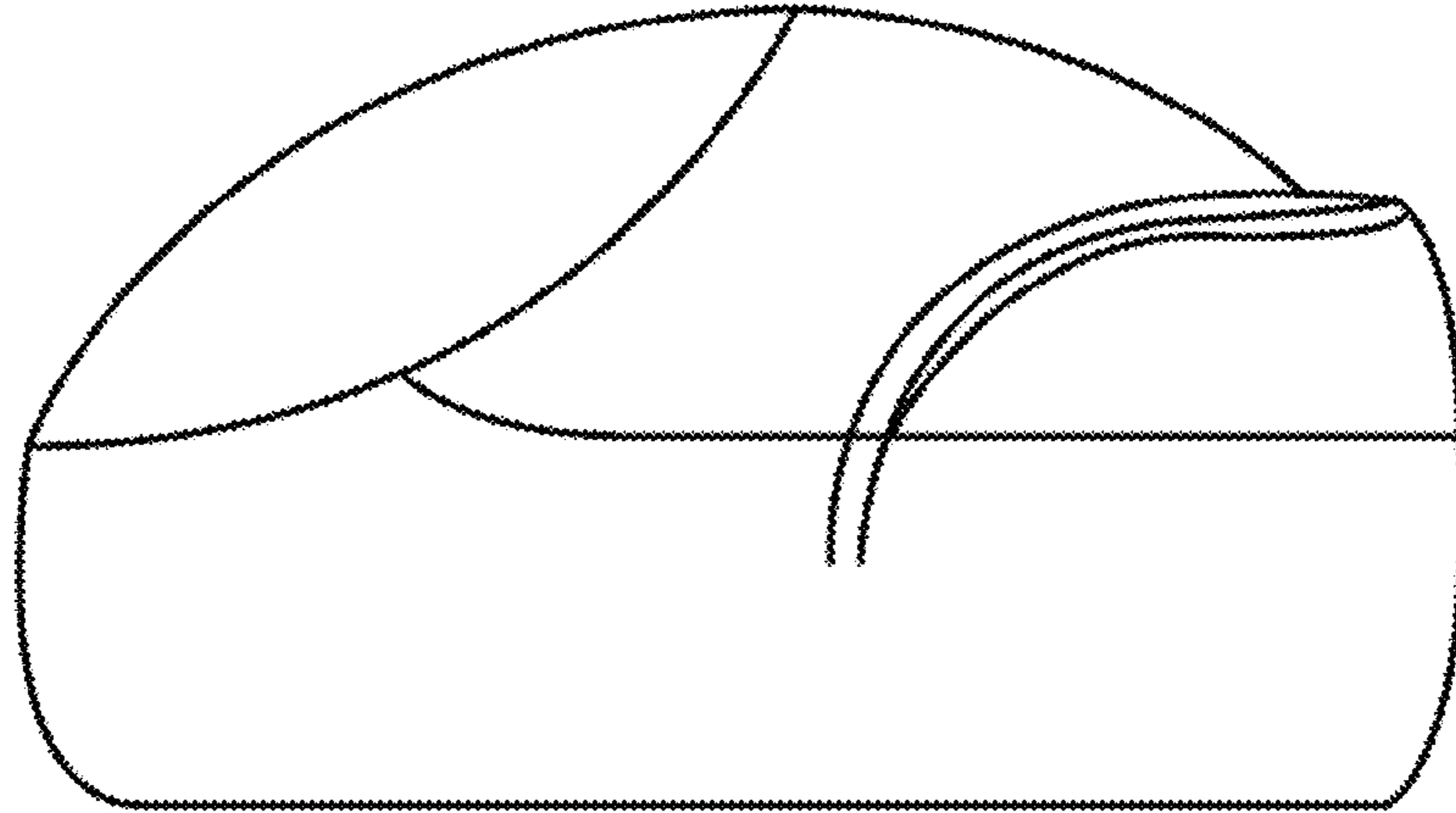


FIG. 1

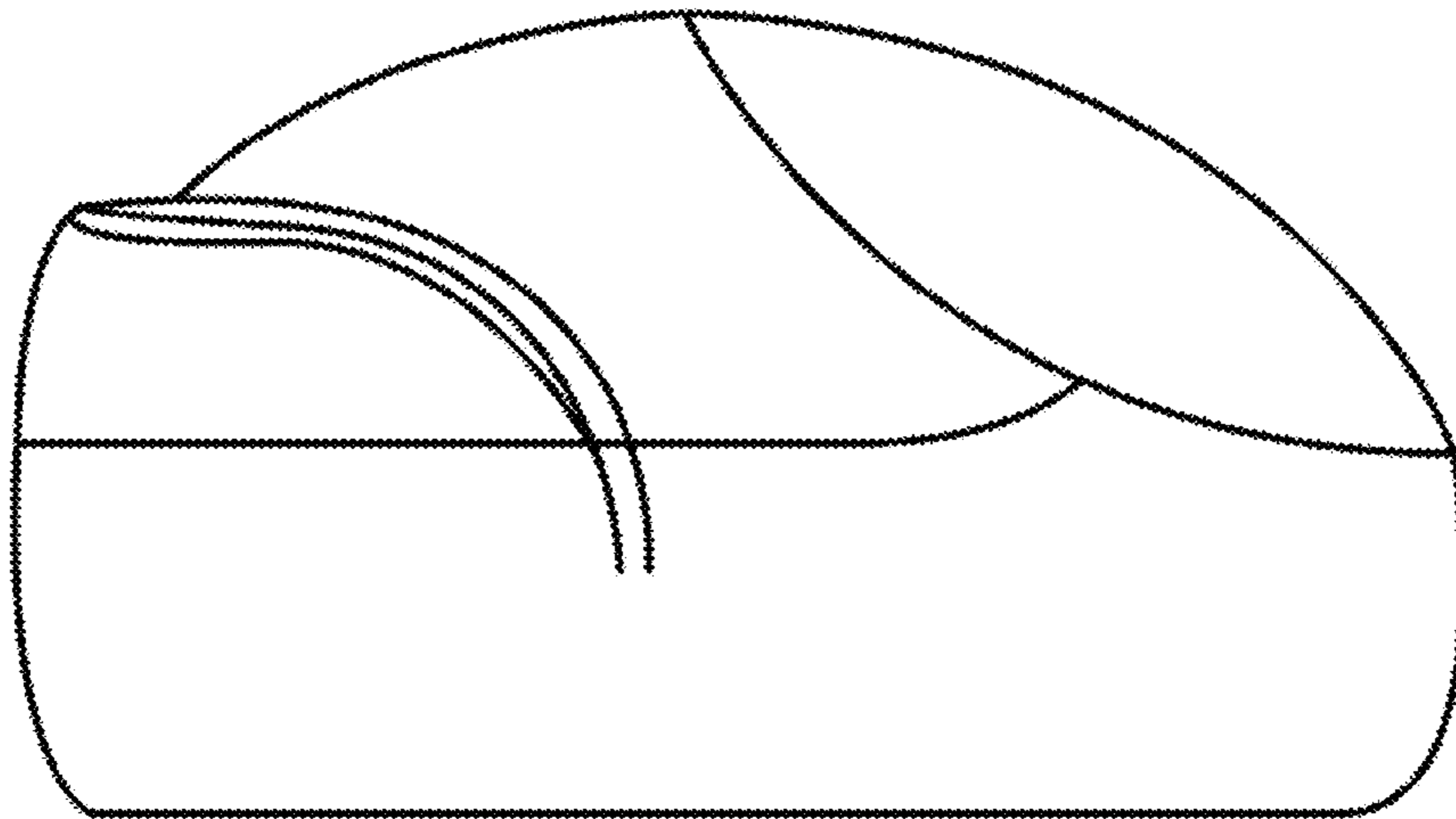


FIG. 2

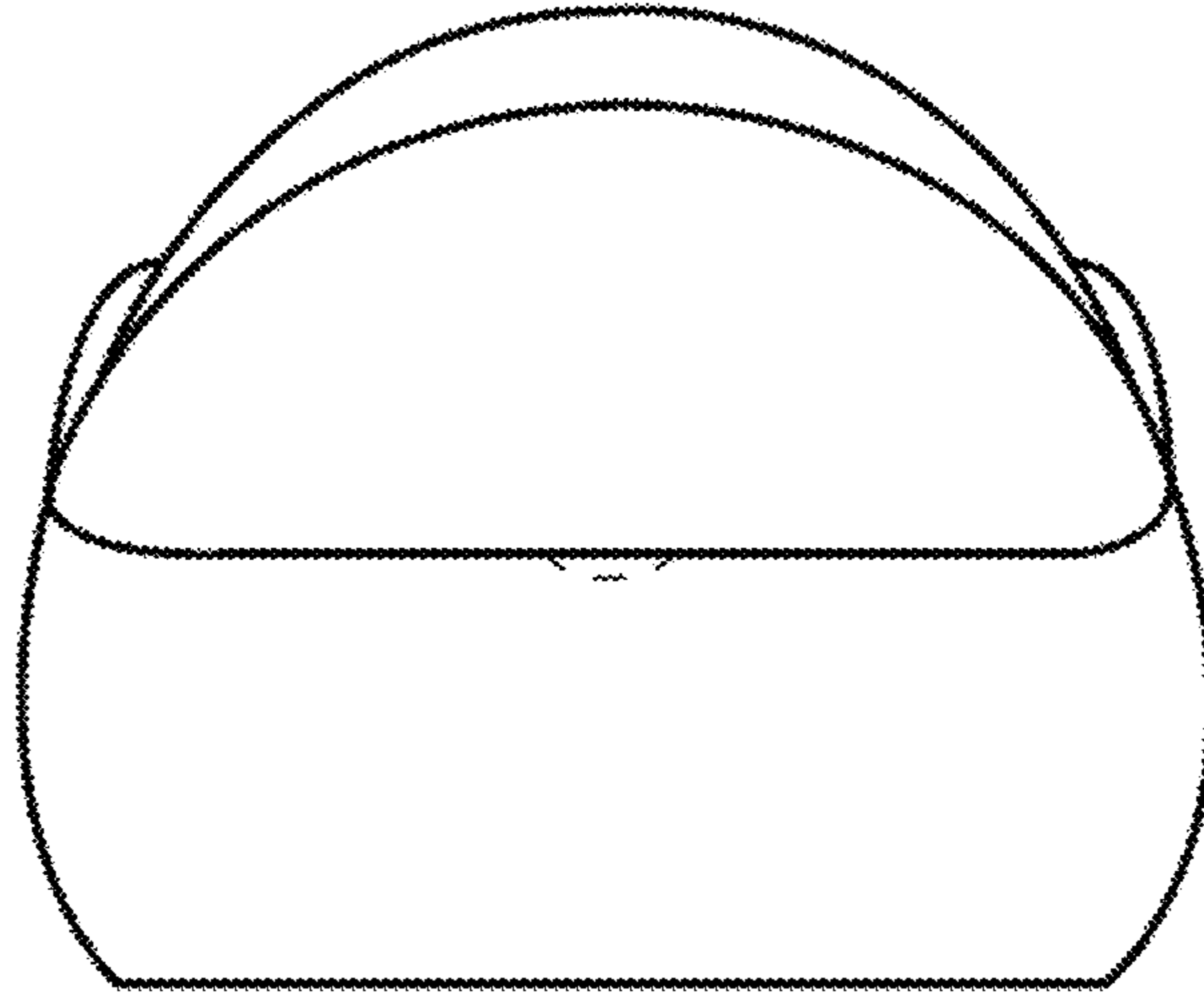


FIG. 3

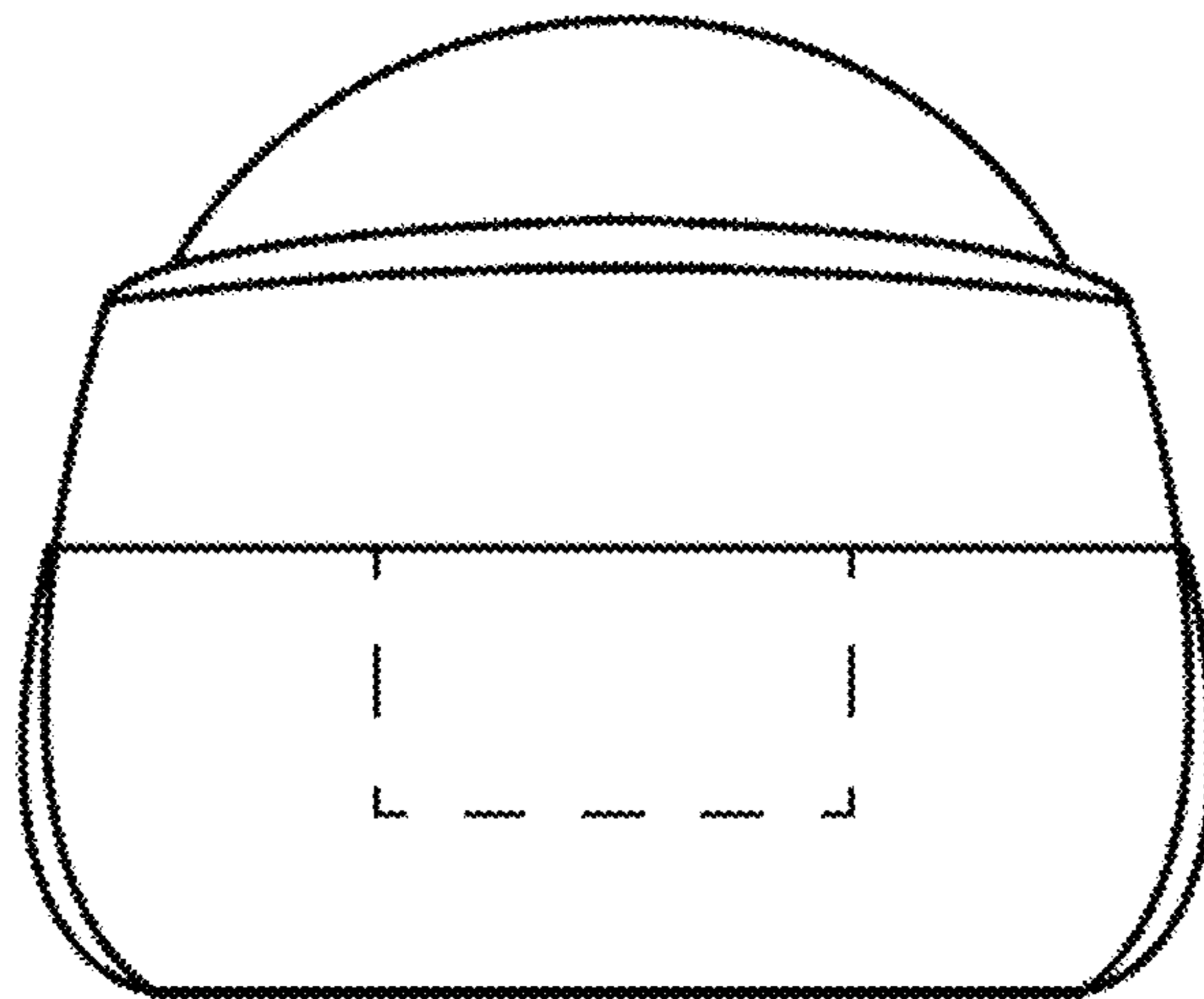


FIG. 4

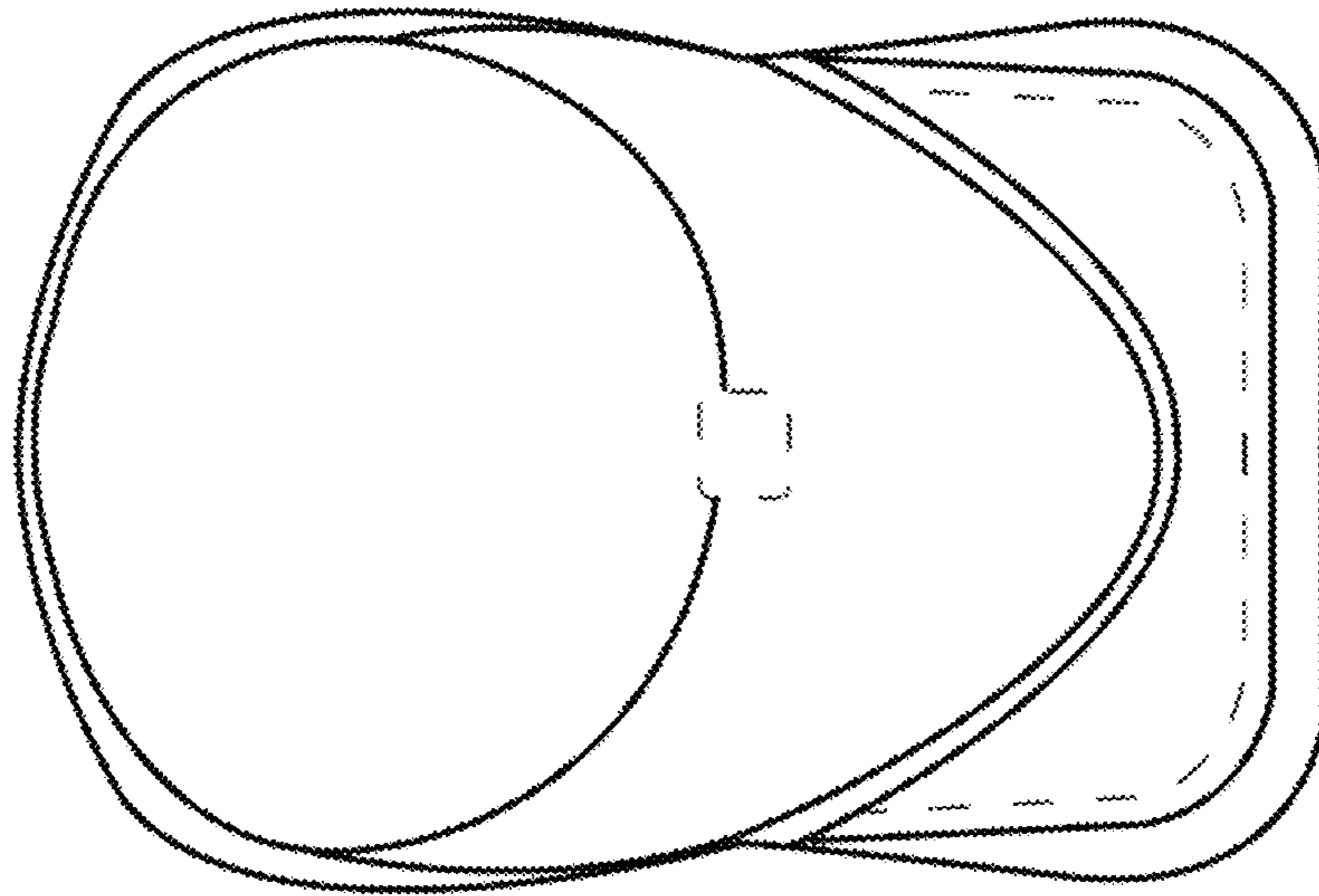


FIG. 5

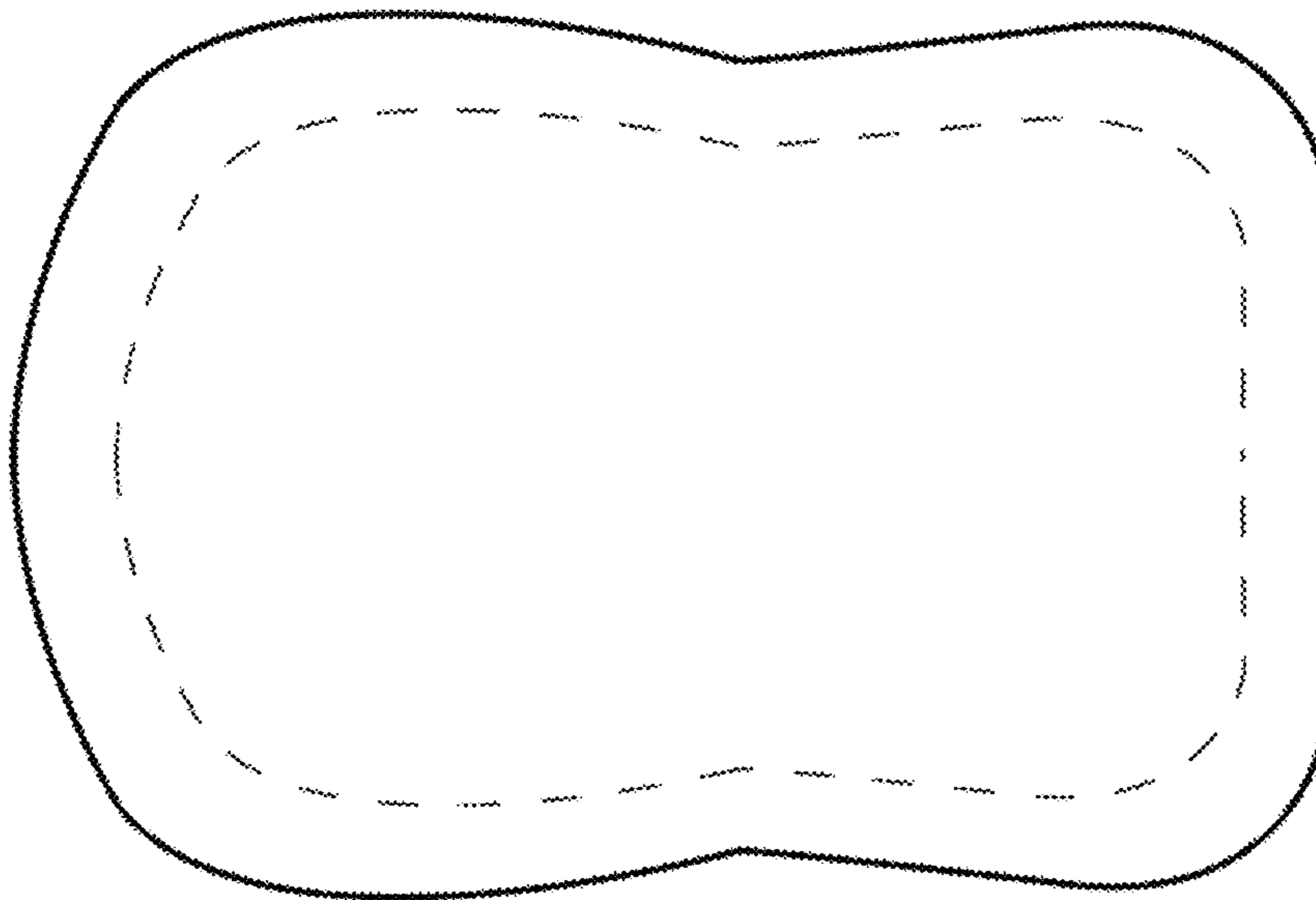


FIG. 6