

US00D752167S

(12) **United States Design Patent**
Chorne

(10) **Patent No.:** **US D752,167 S**
(45) **Date of Patent:** **** Mar. 22, 2016**

(54) **HOLLOW RIBBED HOCKEY STICK INSERT
TO FIX A BROKEN HOCKEY STICK SHAFT**

D370,953 S * 6/1996 Visalli D21/756
D380,803 S * 7/1997 Plaza, Sr. D21/756
D631,117 S * 1/2011 Appleton D21/756

(71) Applicant: **Robert Chorne**, Freeport, NY (US)

* cited by examiner

(72) Inventor: **Robert Chorne**, Freeport, NY (US)

Primary Examiner — Mitchell Siegel

(**) Term: **14 Years**

(21) Appl. No.: **29/474,875**

(57) **CLAIM**

The ornamental design for a hollow ribbed hockey stick insert to fix a broken hockey stick shaft, as shown and described.

(22) Filed: **Mar. 5, 2015**

(51) **LOC (10) Cl.** **21-02**

(52) **U.S. Cl.**

USPC **D21/753**

(58) **Field of Classification Search**

USPC D21/727, 753, 756, 757

CPC A63B 59/70; A63B 2053/0416; A63B
2102/24

See application file for complete search history.

DESCRIPTION

FIG. 1 is a perspective view of a hollow ribbed hockey stick insert to fix a broken hockey stick shaft, showing my new design;

FIG. 2 is a front elevation view thereof;

FIG. 3 is a rear view thereof;

FIG. 4 is a top plan view thereof;

FIG. 5 is a bottom view thereof; and,

FIG. 6 is an end view thereof; and,

FIG. 7 is an opposite end view.

The broken line showing is included for the purpose of illustrating and forms no part of the claimed design.

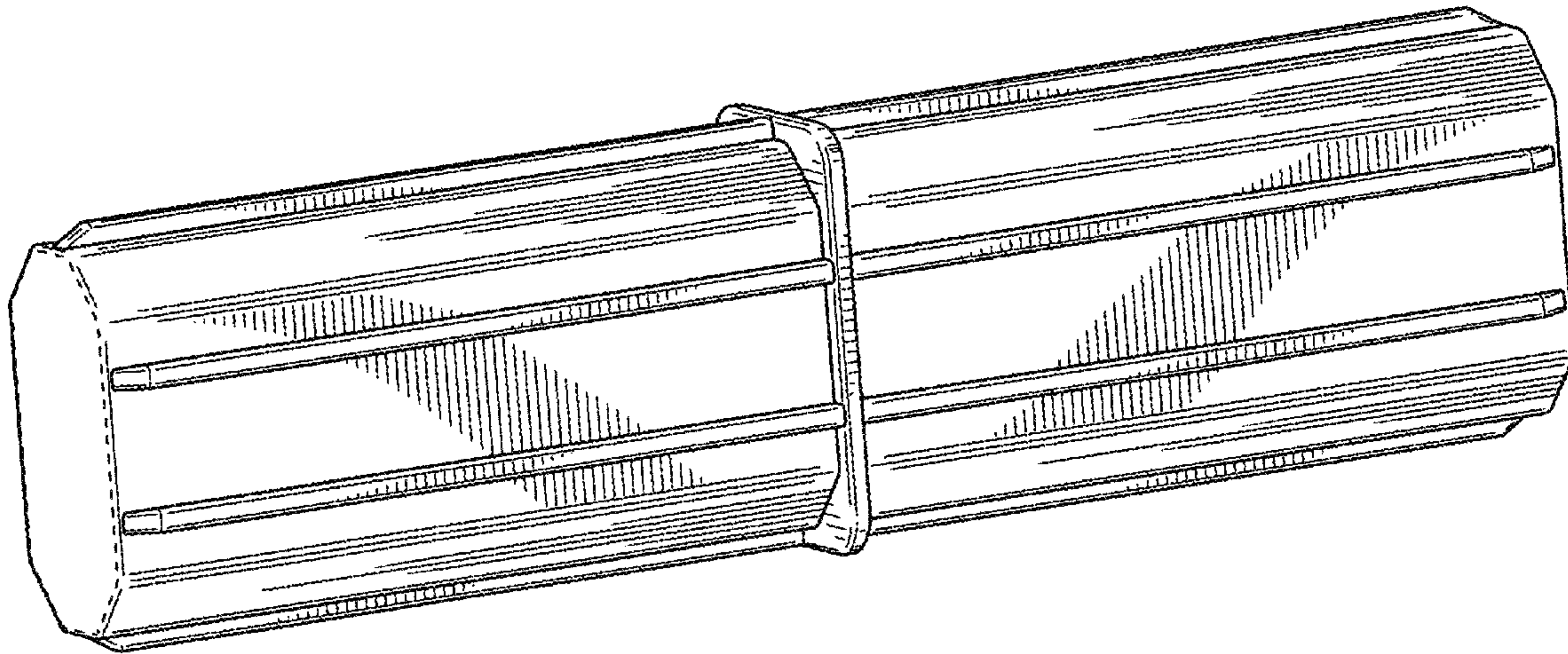
(56) **References Cited**

U.S. PATENT DOCUMENTS

5,390,921 A * 2/1995 De Ruyter A63B 60/22
473/299

D359,541 S * 6/1995 Lamanna D21/757

1 Claim, 6 Drawing Sheets



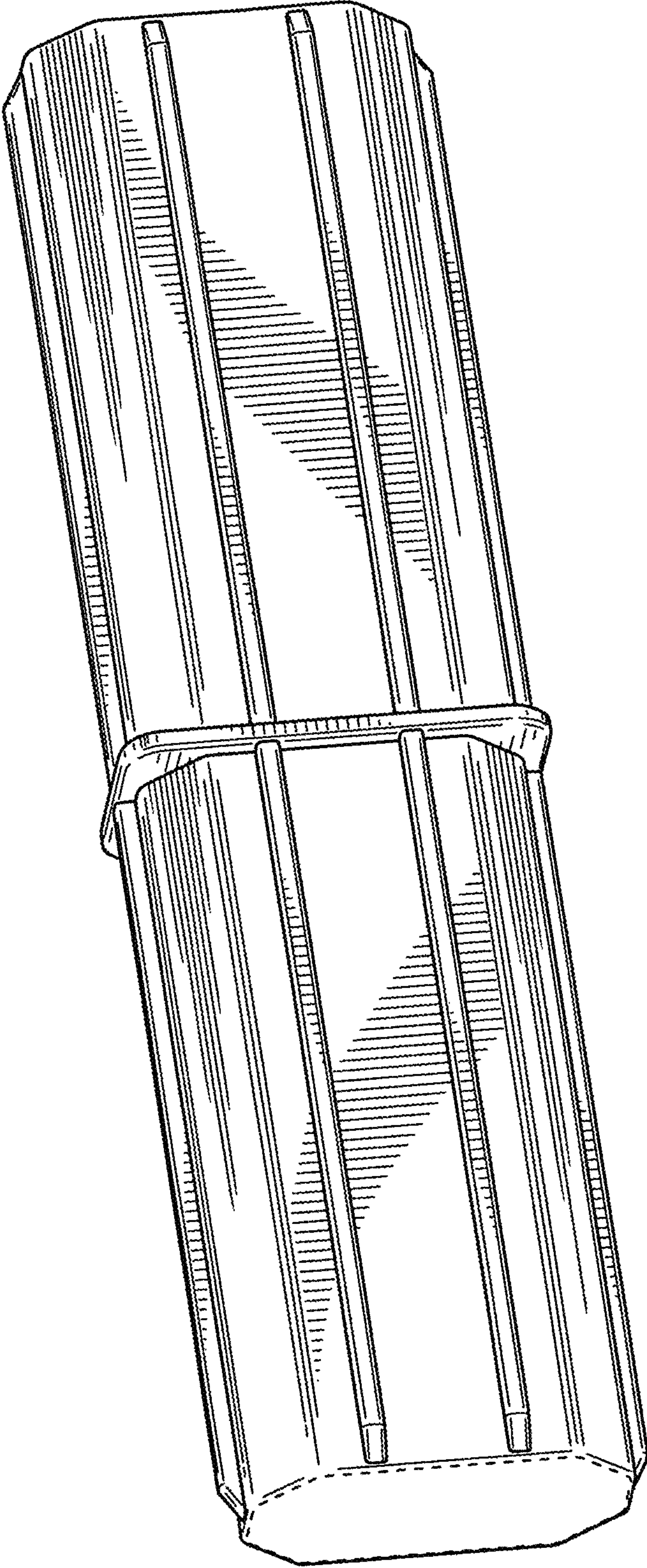


FIG. 1

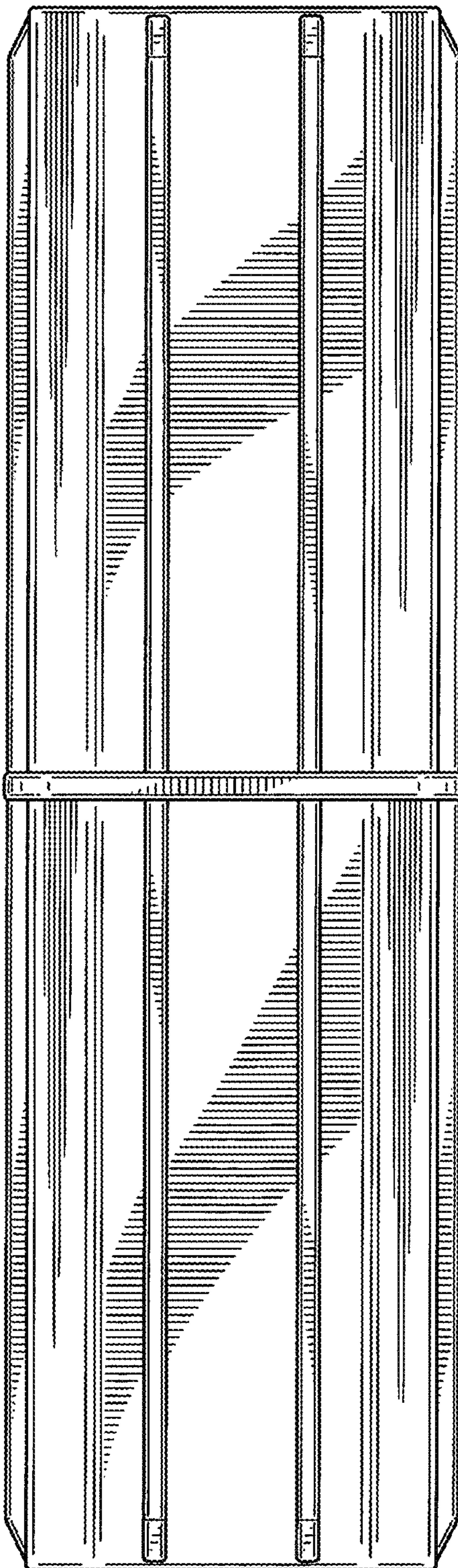


FIG. 2

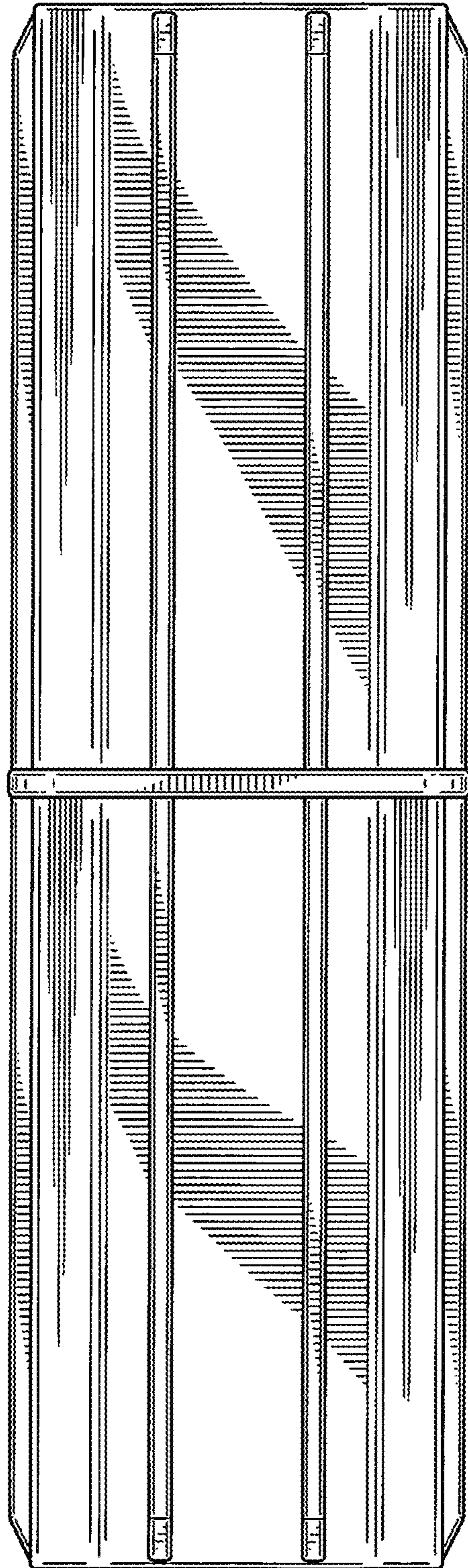


FIG. 3

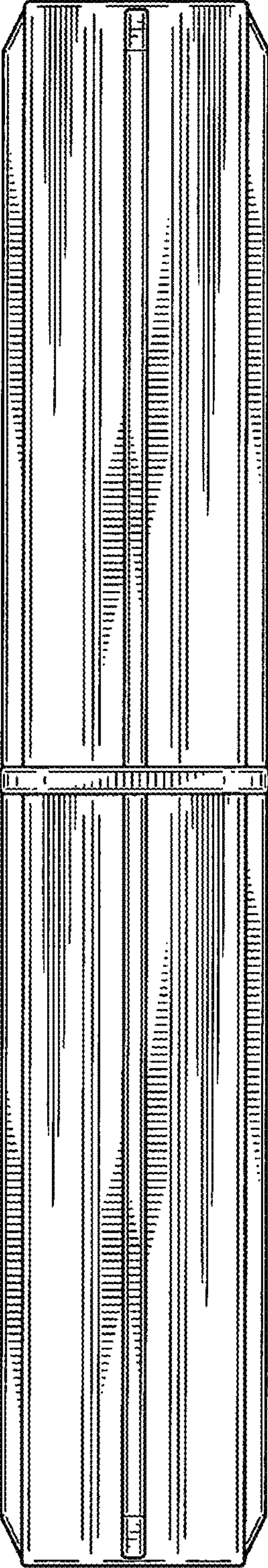


FIG. 4

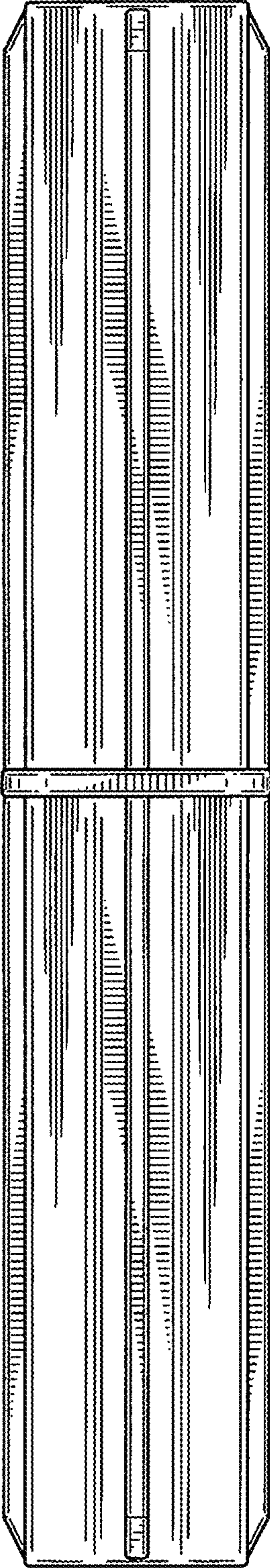


FIG. 5

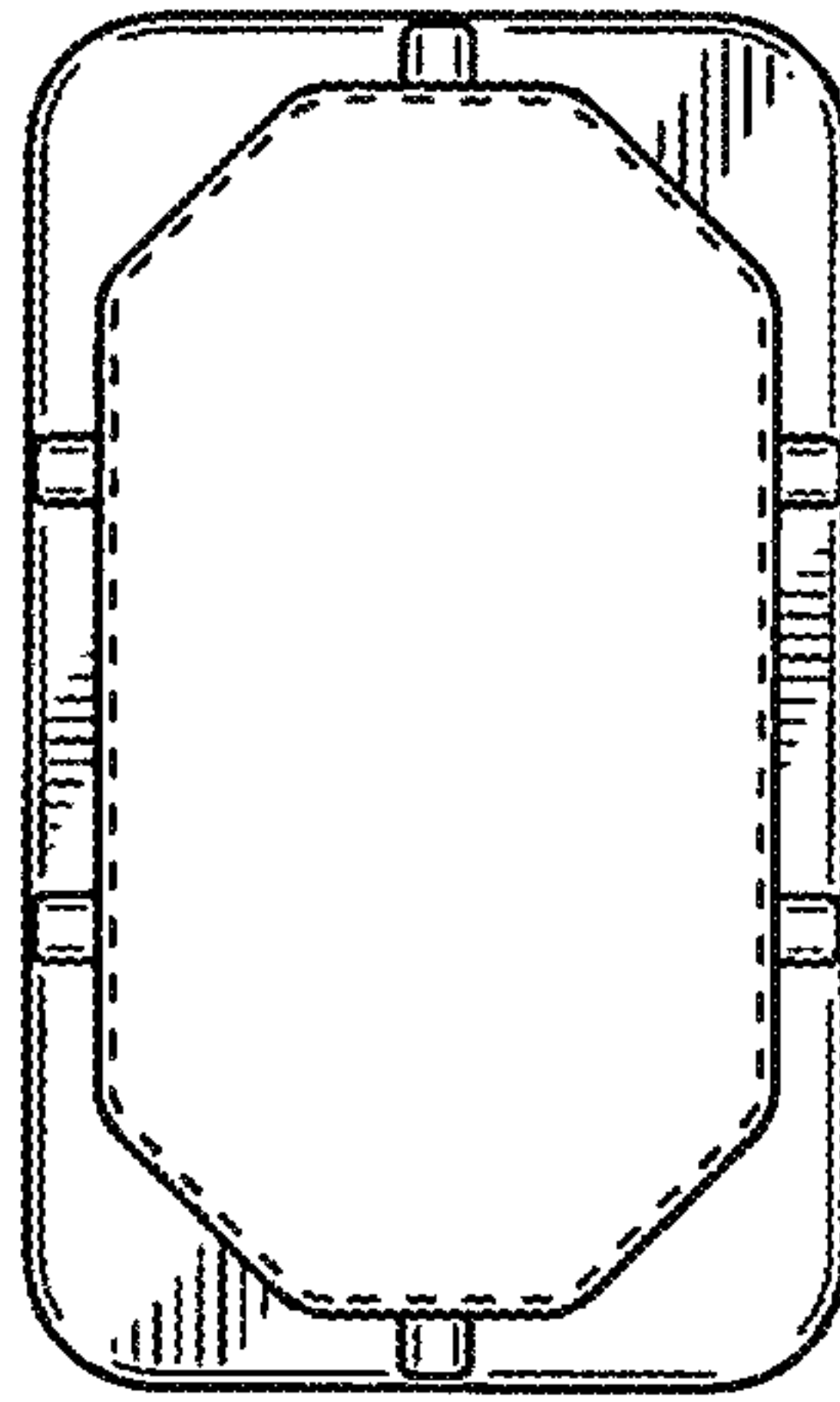


FIG. 6

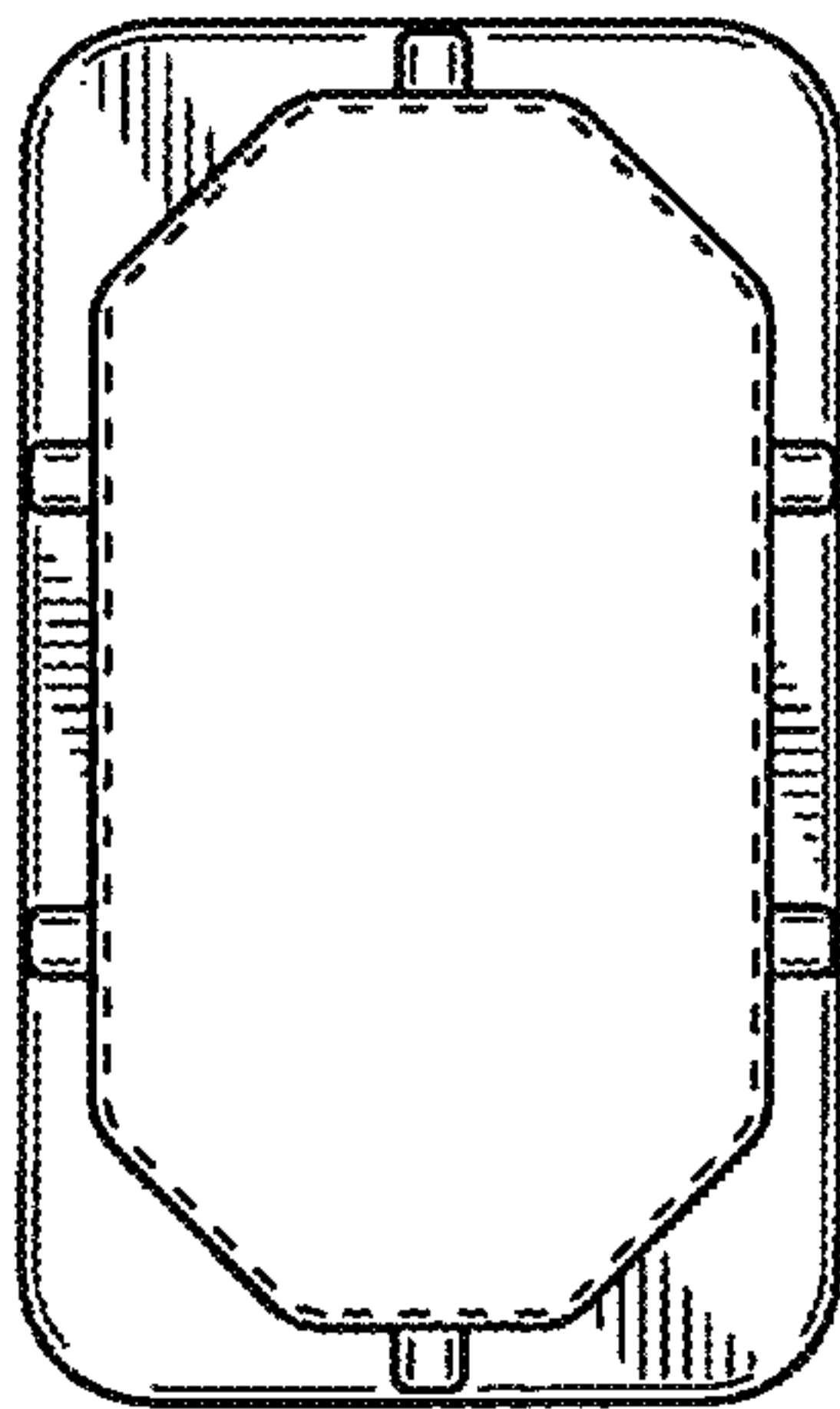


FIG. 7