



US00D752165S

(12) **United States Design Patent**  
**Tieh-Cheng**

(10) **Patent No.:** **US D752,165 S**  
(45) **Date of Patent:** **\*\* Mar. 22, 2016**

- (54) **GOLF BALL RETRIEVER**
- (71) Applicant: **Wu Tieh-Cheng**, Taichung (TW)
- (72) Inventor: **Wu Tieh-Cheng**, Taichung (TW)
- (\*\*) Term: **14 Years**
- (21) Appl. No.: **29/495,865**
- (22) Filed: **Jul. 7, 2014**
- (51) **LOC (10) Cl.** ..... **21-02**
- (52) **U.S. Cl.**  
USPC ..... **D21/721**
- (58) **Field of Classification Search**  
USPC ..... D21/312, 321, 385, 457, 698, 715, 721,  
D21/722, 723, 728, 733-752, 753, 759, 789,  
D21/793, 796; D8/14; 473/226, 235, 259,  
473/286, 298, 299, 329-333, 503, 505, 514,  
473/558, 559-563, 569; 294/1.4, 19.2,  
294/50.6-50.9, 181, 99.1, 99.2, 100;  
273/108.5, 129 R, 129 L, 129 P, 447  
See application file for complete search history.

3,437,368	A *	4/1969	Anderson	.....	294/19.2
3,604,190	A *	9/1971	Wray	.....	56/328.1
4,248,468	A *	2/1981	Hastings	.....	294/1.4
4,278,134	A *	7/1981	Johnson	.....	172/373
4,322,939	A *	4/1982	McDonald	.....	56/328.1
4,844,526	A *	7/1989	Young	.....	294/19.2
5,303,967	A *	4/1994	Dubow	.....	294/19.2
5,743,578	A *	4/1998	Schuermann	.....	294/19.2
D424,144	S *	5/2000	Sullivan	.....	D21/721
6,481,768	B1 *	11/2002	Fu	.....	294/19.2
D506,517	S *	6/2005	Crippen	.....	D21/721
6,971,695	B2 *	12/2005	Backstrom	.....	294/19.2
7,698,882	B1 *	4/2010	Tinlin	.....	56/328.1

\* cited by examiner

*Primary Examiner* — Catherine Tuttle

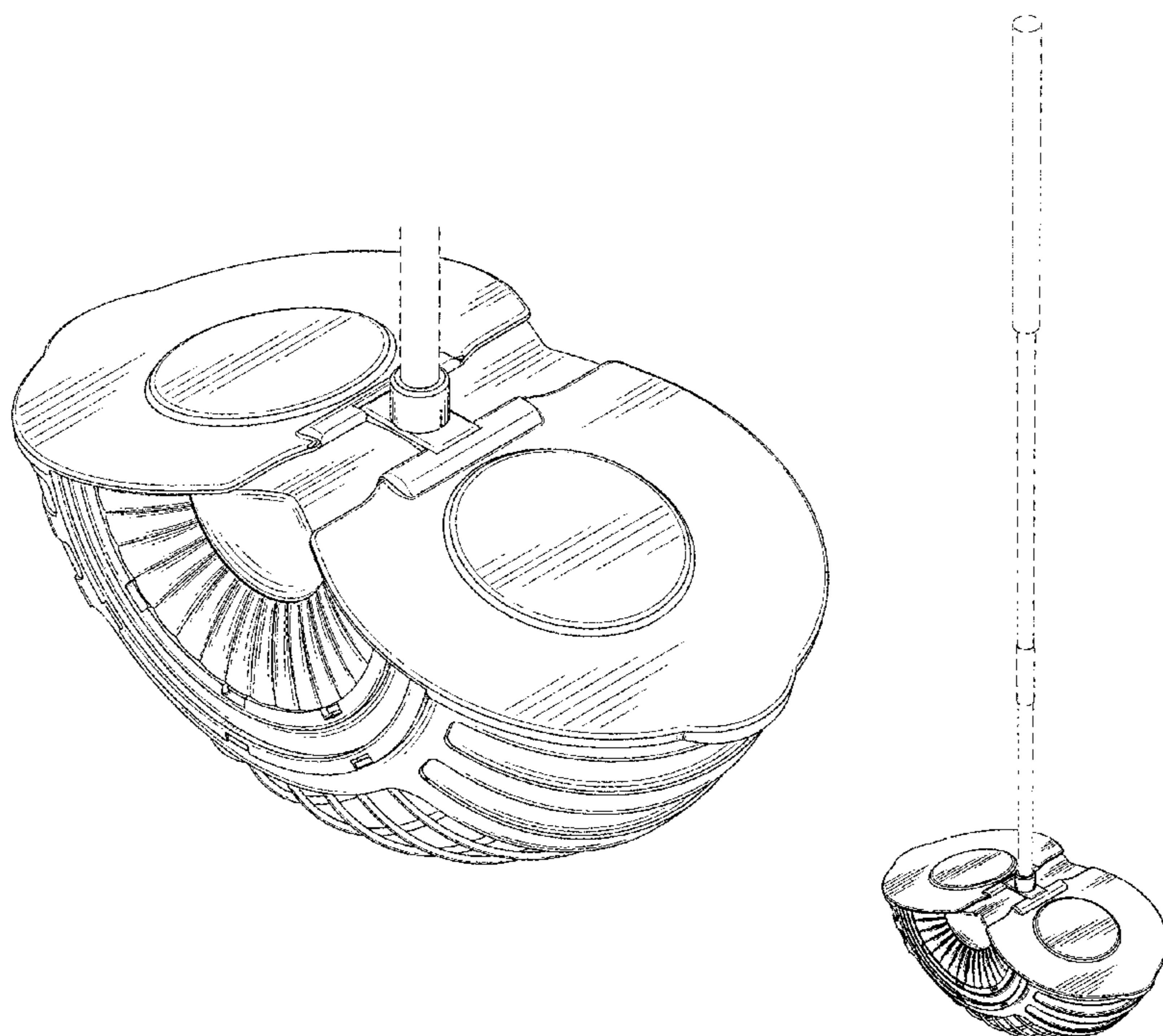
(57) **CLAIM**  
The ornamental design for a golf ball retriever, as shown and described.

**DESCRIPTION**

FIG. 1 is a perspective view of a golf ball retriever showing my new design;  
 FIG. 2 is a front elevational view thereof;  
 FIG. 3 is a rear elevational view thereof;  
 FIG. 4 is a left side elevational view thereof;  
 FIG. 5 is a right side elevational view thereof;  
 FIG. 6 is a top plan view thereof;  
 FIG. 7 is a bottom plan view thereof; and,  
 FIG. 8 is a perspective view thereof, shown in an environment of use.  
 The broken lines present in the figures are included for the purpose of illustrating portions of the article and environmental structure and form no part of the claimed design.

**1 Claim, 8 Drawing Sheets**

- (56) **References Cited**  
U.S. PATENT DOCUMENTS
- |           |     |         |           |       |           |
|-----------|-----|---------|-----------|-------|-----------|
| 721,196   | A * | 2/1903  | Jeffreys  | ..... | 294/19.2  |
| 1,452,679 | A * | 4/1923  | Fisher    | ..... | 294/19.2  |
| 1,696,817 | A * | 12/1928 | St John   | ..... | 294/19.2  |
| 2,749,697 | A * | 6/1956  | Poche     | ..... | 56/328.1  |
| 2,826,417 | A * | 3/1958  | Marcoccio | ..... | 273/129 R |
| 3,046,044 | A * | 7/1962  | Christle  | ..... | 294/19.2  |
| 3,068,634 | A * | 12/1962 | Robinson  | ..... | 56/328.1  |
| D205,526  | S * | 8/1966  | Lehman    | ..... | D21/721   |
| D206,076  | S * | 10/1966 | Lehman    | ..... | D21/721   |



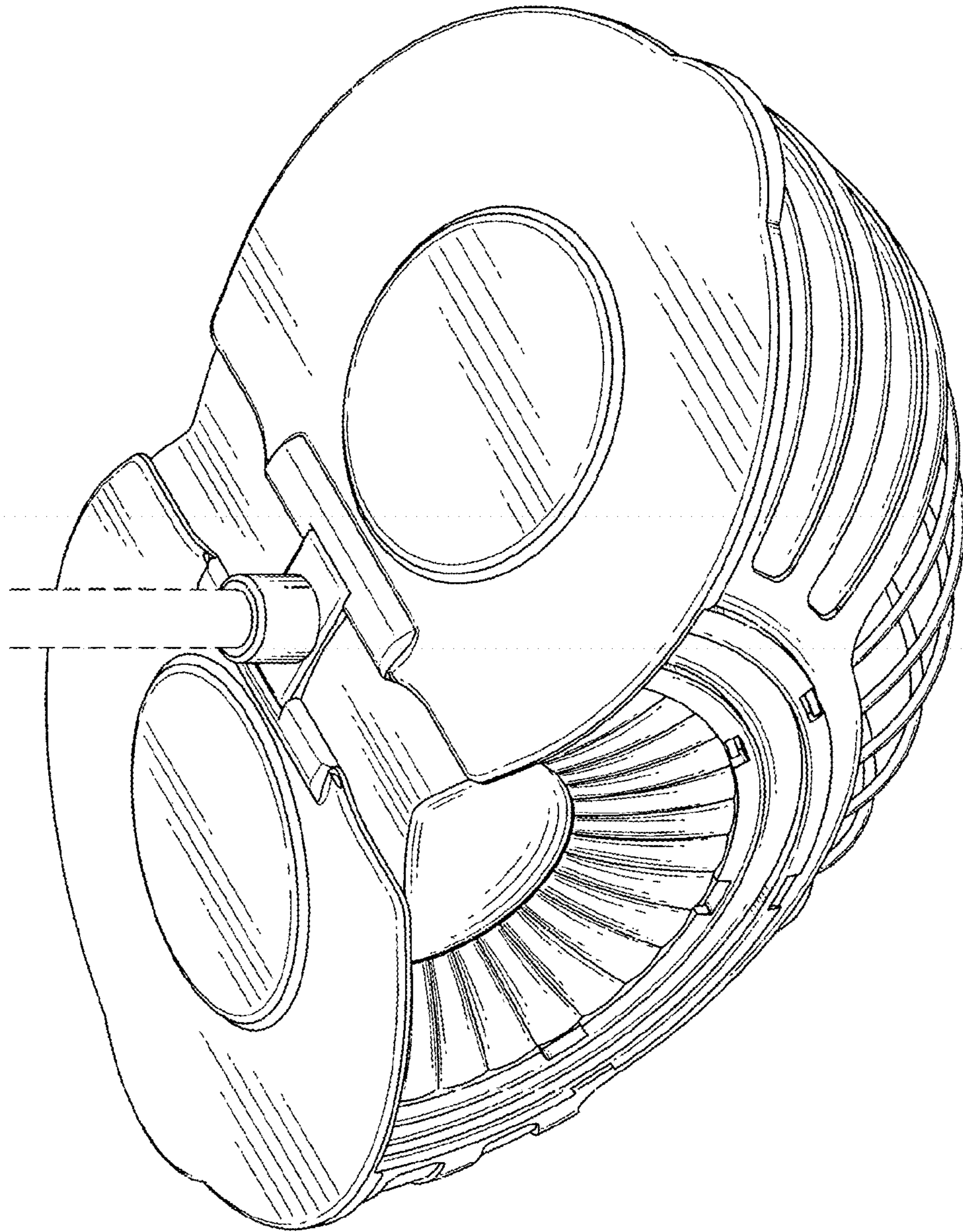


FIG. 1

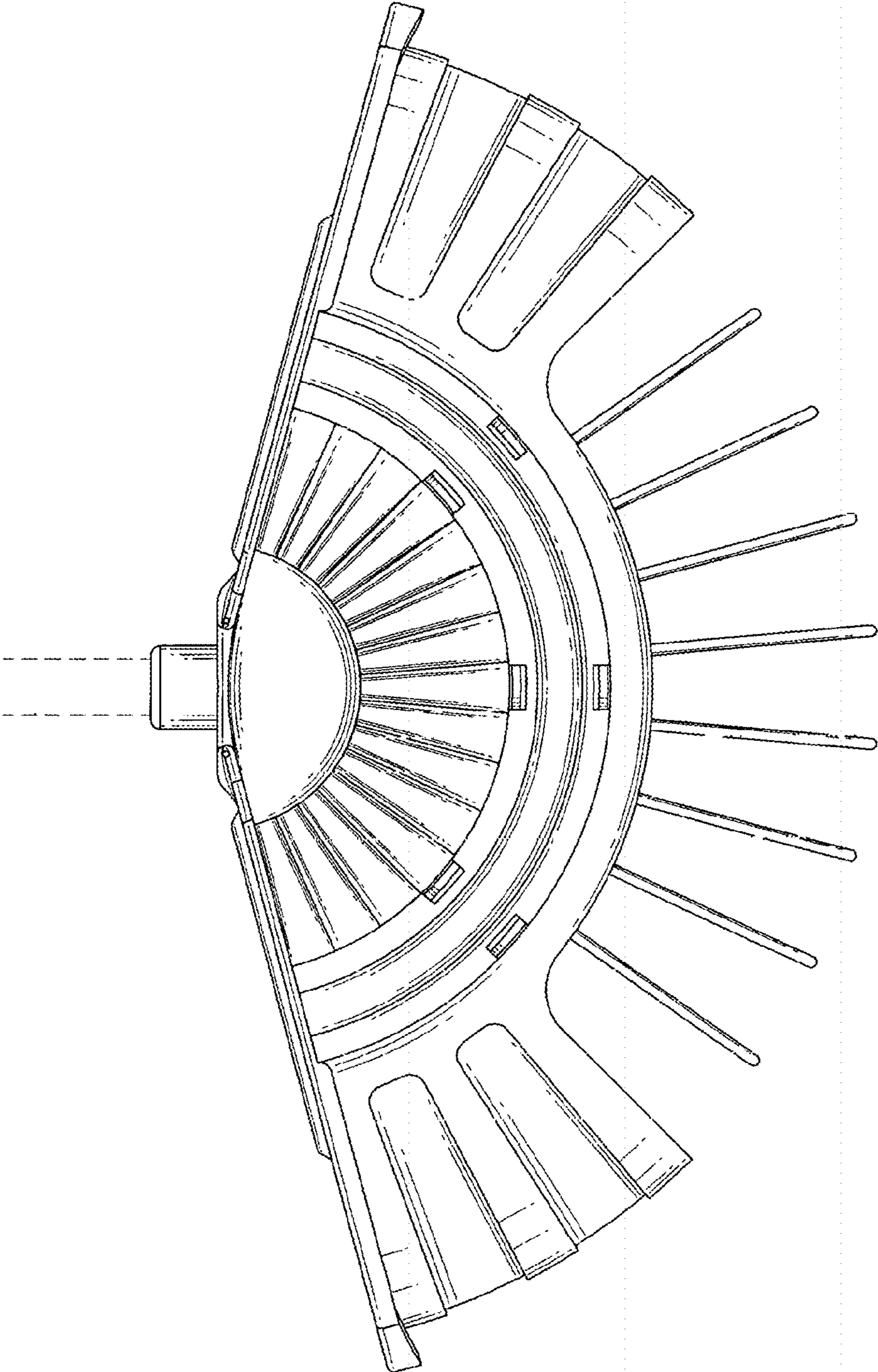


FIG. 2

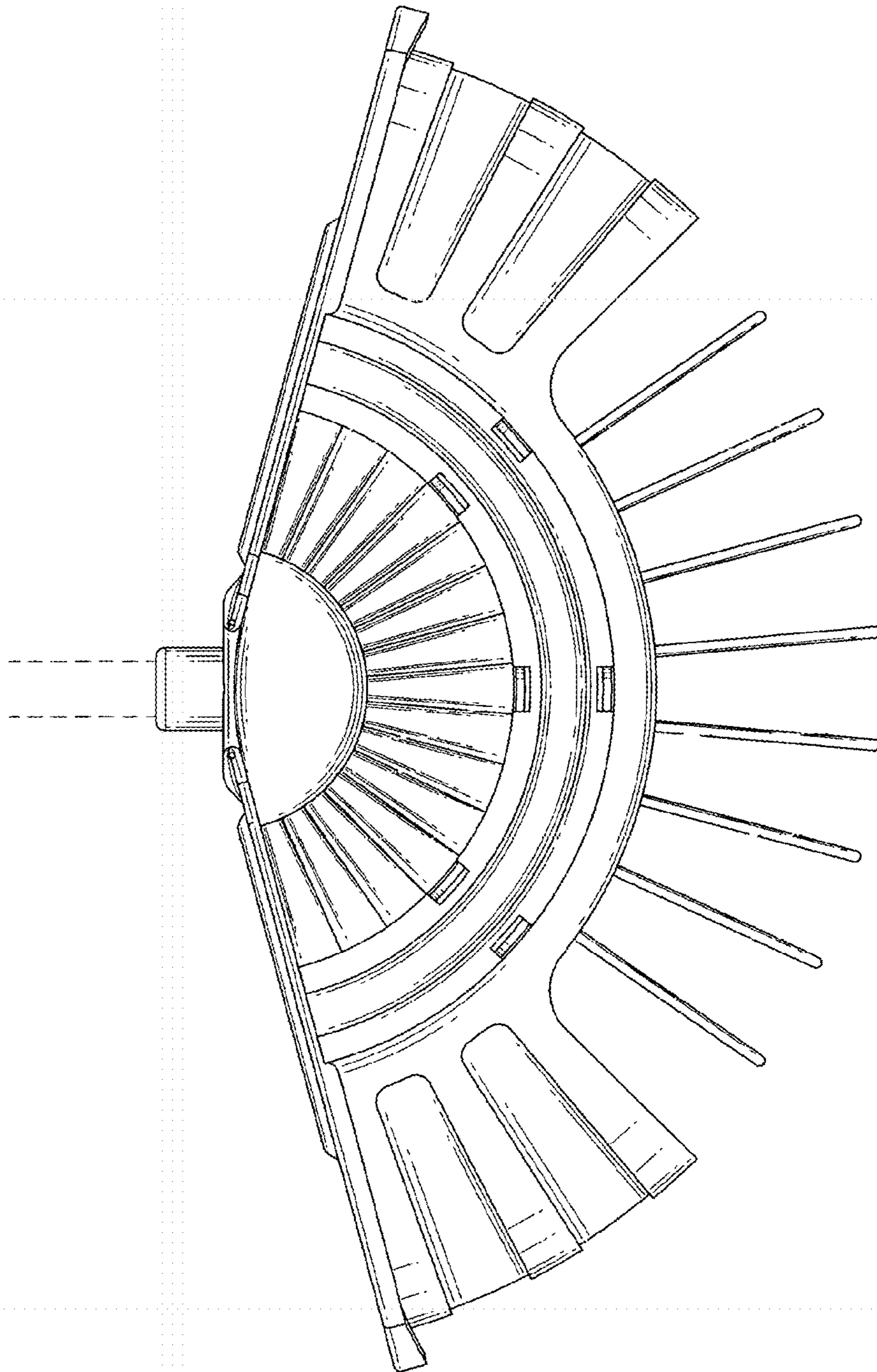


FIG. 3

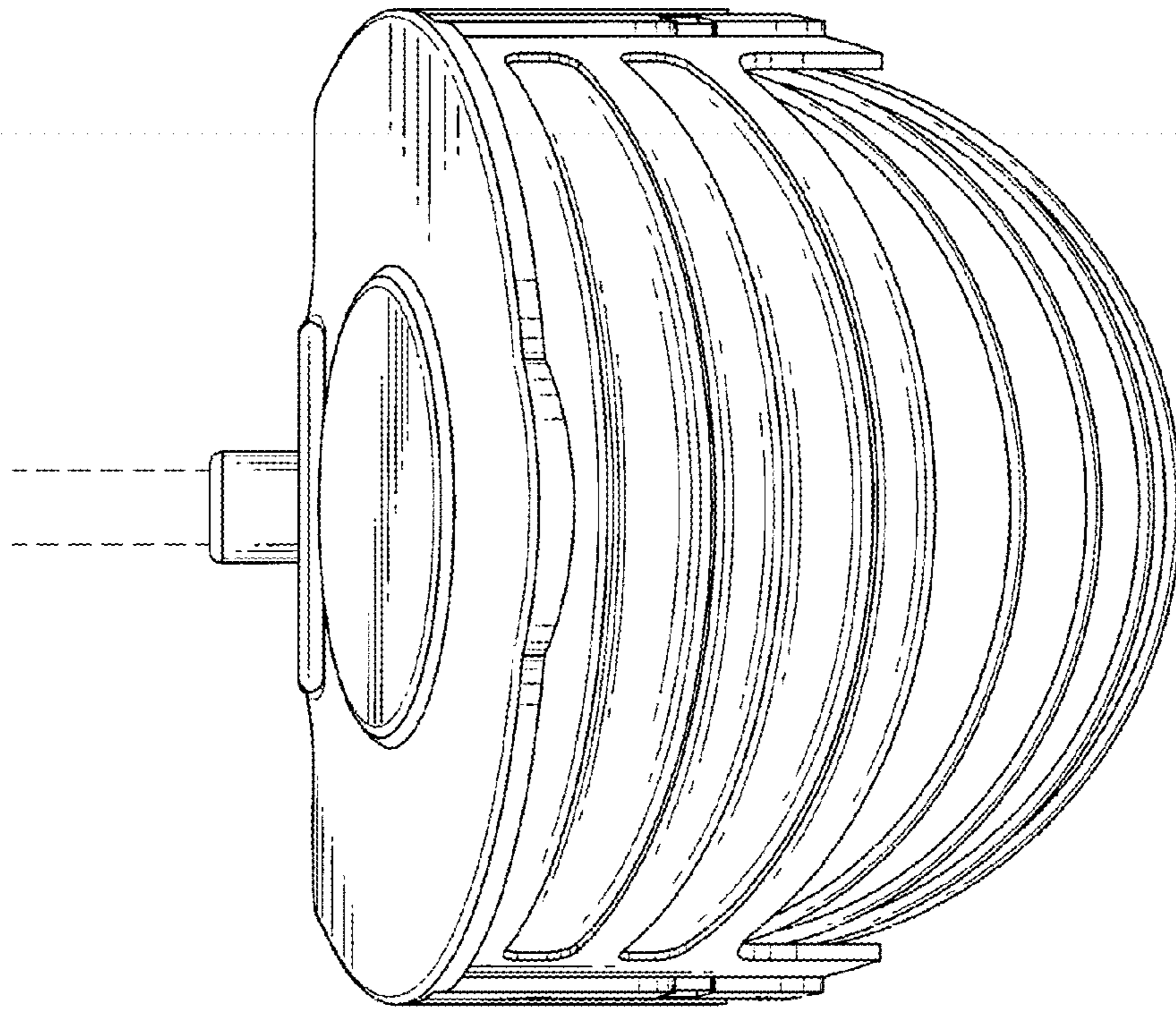


FIG. 4

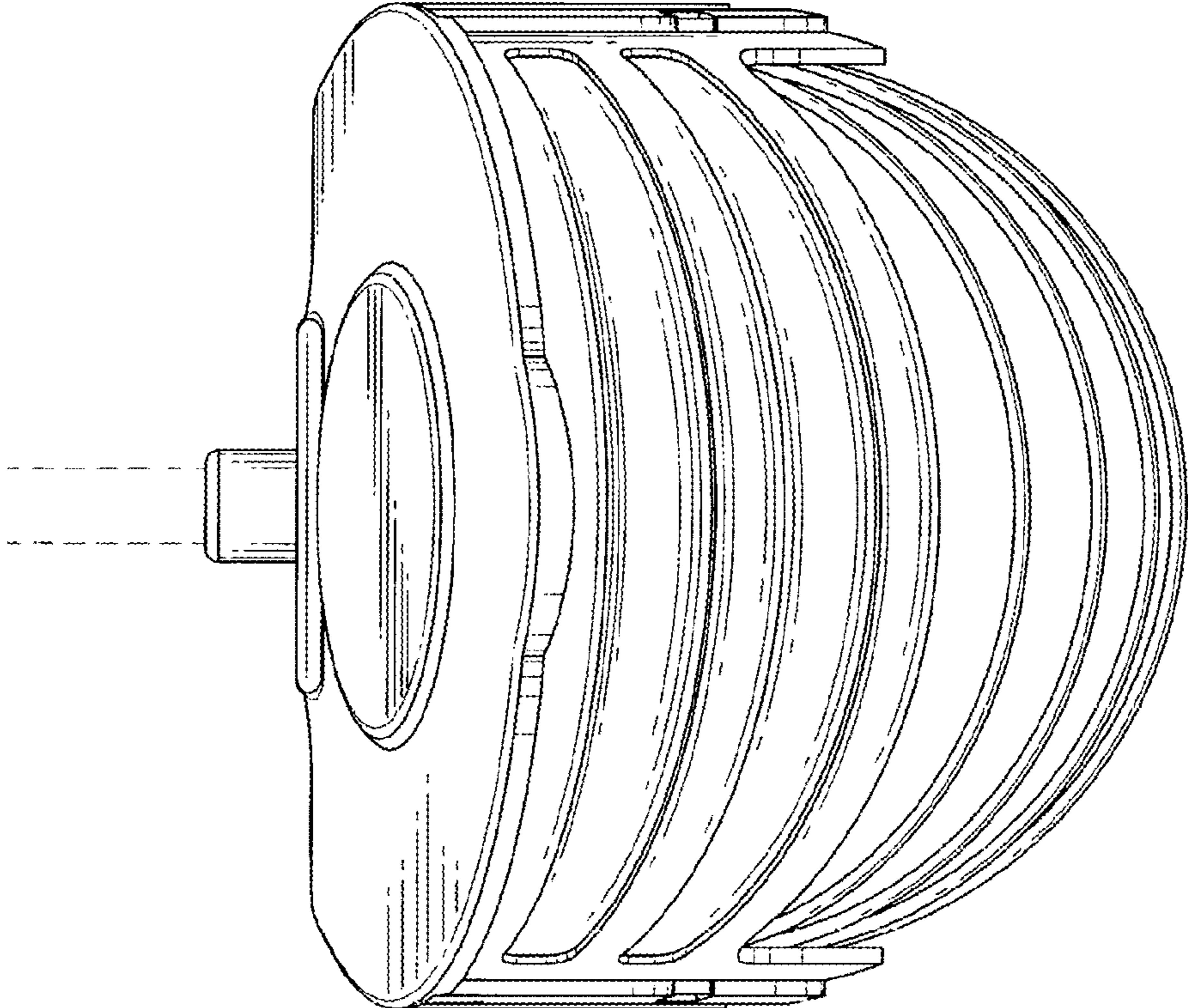


FIG. 5

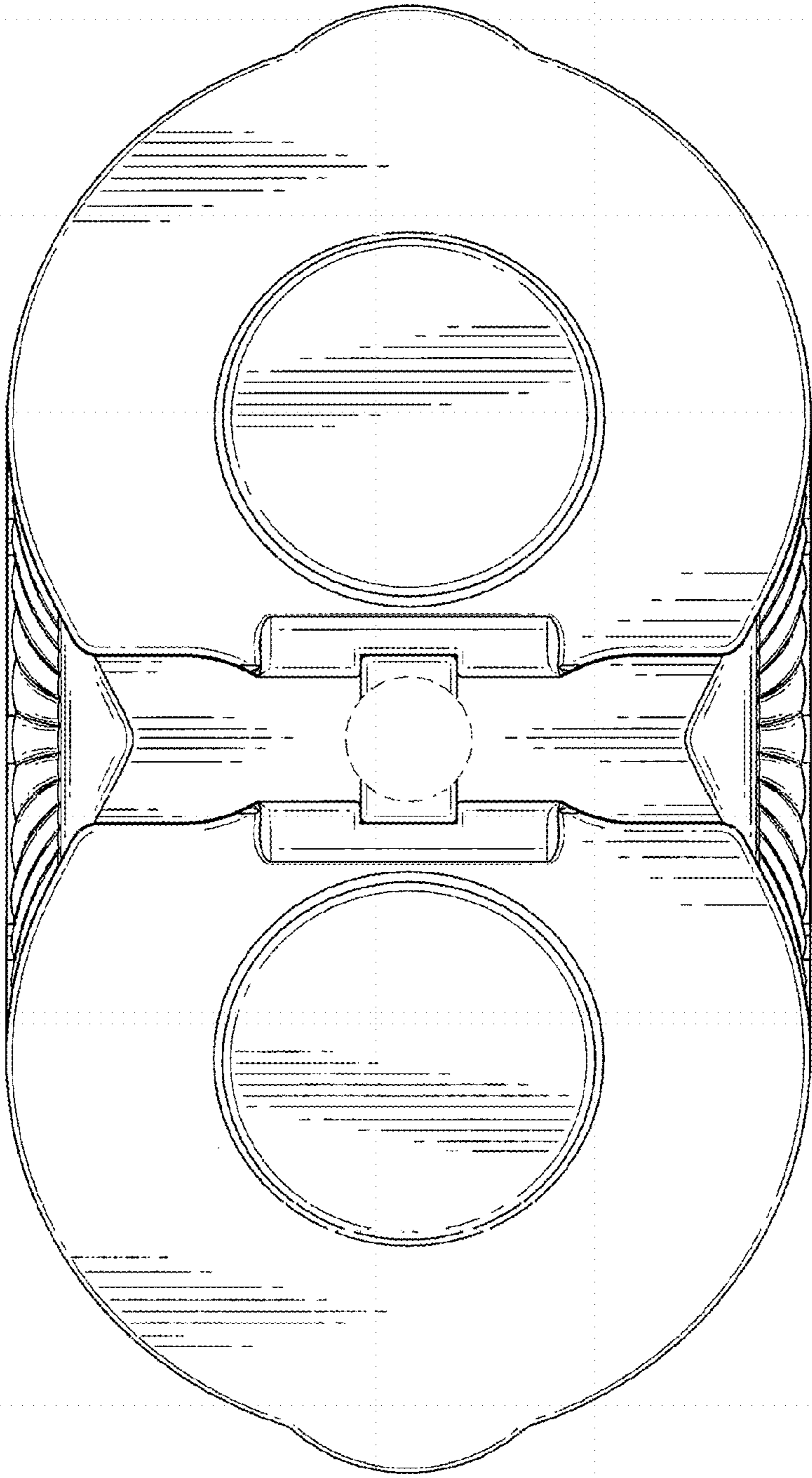


FIG. 6

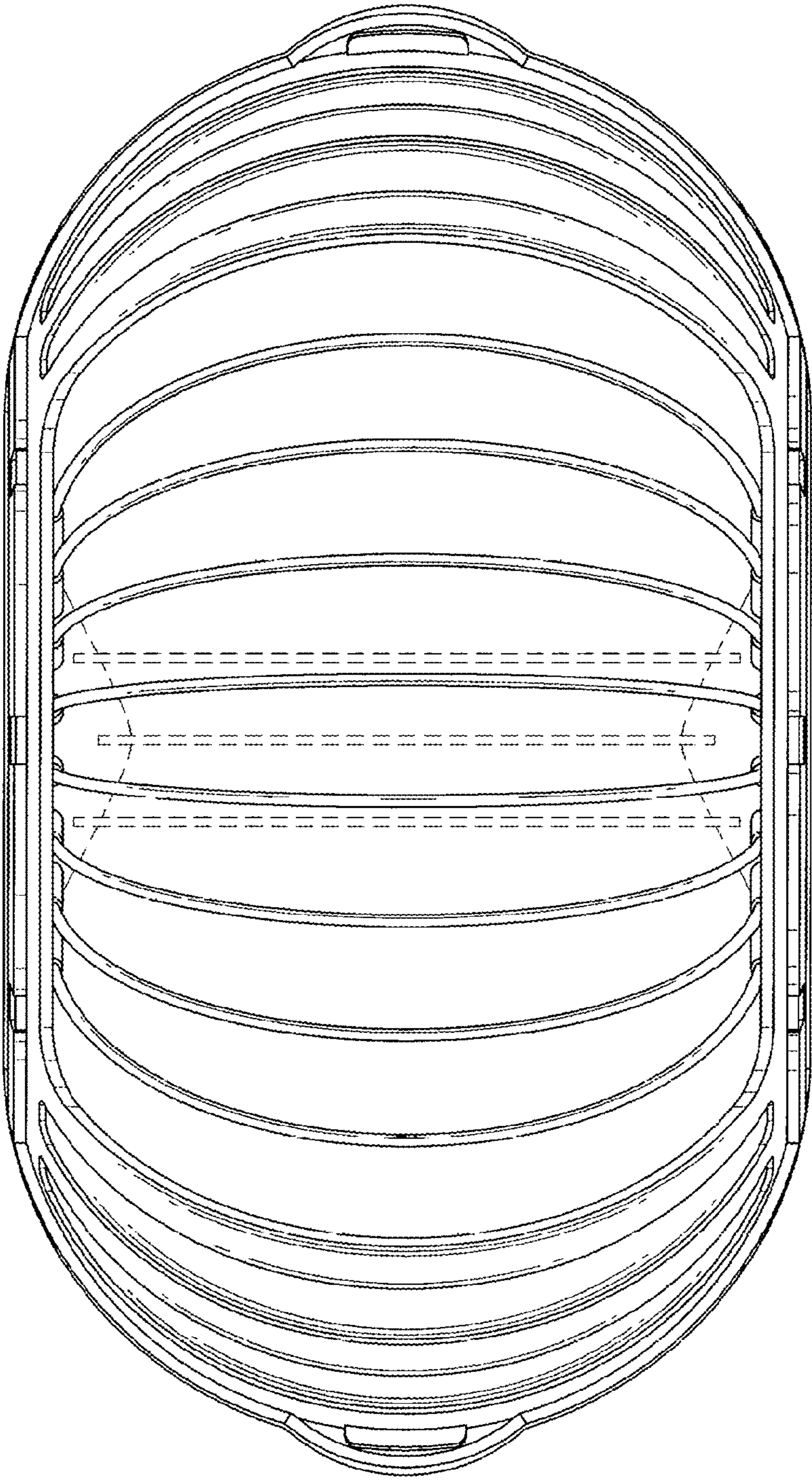


FIG. 7



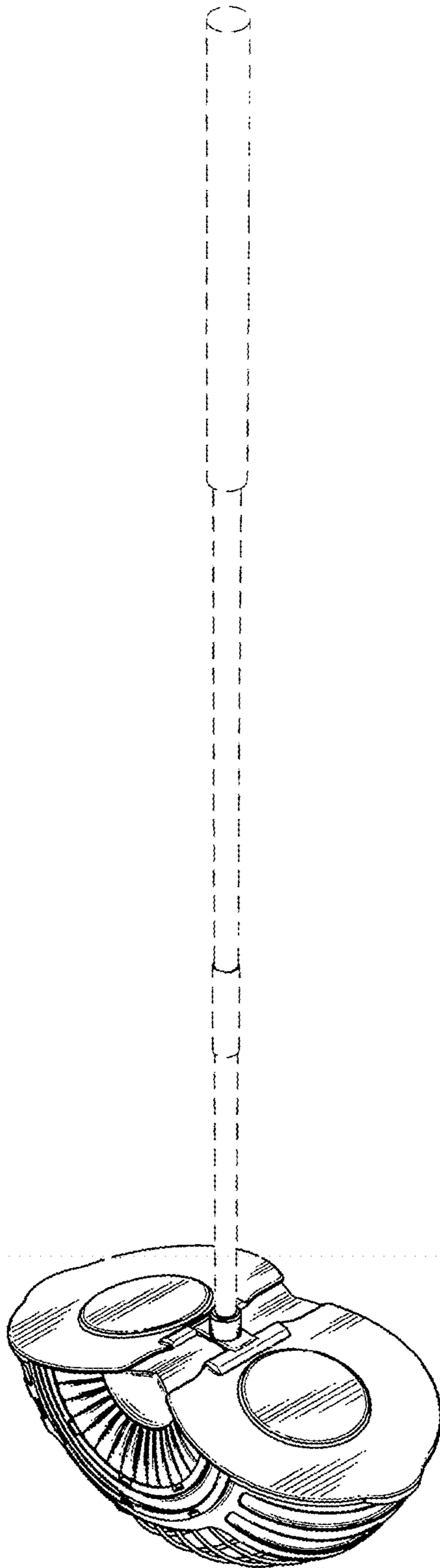


FIG. 8