



US00D752163S

(12) **United States Design Patent**  
**Eder**

(10) **Patent No.:** **US D752,163 S**  
(45) **Date of Patent:** **\*\* Mar. 22, 2016**

(54) **FITNESS MACHINE HANDLE**

(56) **References Cited**

(71) Applicant: **IncludeFitness, Inc.**, Cincinnati, OH (US)

U.S. PATENT DOCUMENTS

(72) Inventor: **J. Ryan Eder**, Columbus, OH (US)

D438,266 S \* 2/2001 Levrett ..... D21/684  
D522,102 S \* 5/2006 Fritz ..... D23/252  
7,722,509 B2 5/2010 Eder  
D652,091 S \* 1/2012 Gellatly ..... A63B 23/1209  
D21/662

(73) Assignee: **IncludeFitness, LLC**, Cincinnati, OH (US)

D664,630 S \* 7/2012 Fritz ..... D23/252  
D698,220 S \* 1/2014 Watson ..... D8/308  
D708,274 S 7/2014 Eder

(\*\*) Term: **14 Years**

D733,815 S \* 7/2015 Gustafson ..... D21/694  
D734,122 S \* 7/2015 Hsu ..... D8/308

(21) Appl. No.: **29/495,168**

2008/0300116 A1 \* 12/2008 Eder ..... A63B 21/062  
482/100

(22) Filed: **Jun. 27, 2014**

2014/0210218 A1 \* 7/2014 Eder ..... E05B 1/0053  
292/66

\* cited by examiner

**Related U.S. Application Data**

*Primary Examiner* — Robert M Spear

(63) Continuation of application No. 29/441,838, filed on Jan. 10, 2013, now Pat. No. Des. 708,274, and a continuation-in-part of application No. 14/166,635, filed on Jan. 28, 2014.

*Assistant Examiner* — Ryan Harvey

(51) **LOC (10) Cl.** ..... **21-02**

(74) *Attorney, Agent, or Firm* — Jason H. Foster; Kremblas & Foster

(52) **U.S. Cl.**

(57) **CLAIM**

The ornamental design for a fitness machine handle, as shown.

USPC ..... **D21/694**

**DESCRIPTION**

(58) **Field of Classification Search**

USPC ..... D21/673, 694, 684, 662; 292/66;

FIG. 1 is a perspective view of a fitness machine handle showing my new design;

D14/496, 246, 217, 438; 482/100;

FIG. 2 is a left side view thereof (the right side view thereof is a mirror image of FIG. 2);

D8/311, 310, 308; D22/108; D7/393;

FIG. 3 is a front view thereof;

D23/252, 238, 242, 254, 243, 313

FIG. 4 is a rear view thereof;

CPC ..... A63B 23/0494; A63B 2021/0616;

FIG. 5 is a bottom view thereof; and,

A63B 21/00065; A63B 21/0605; A63B

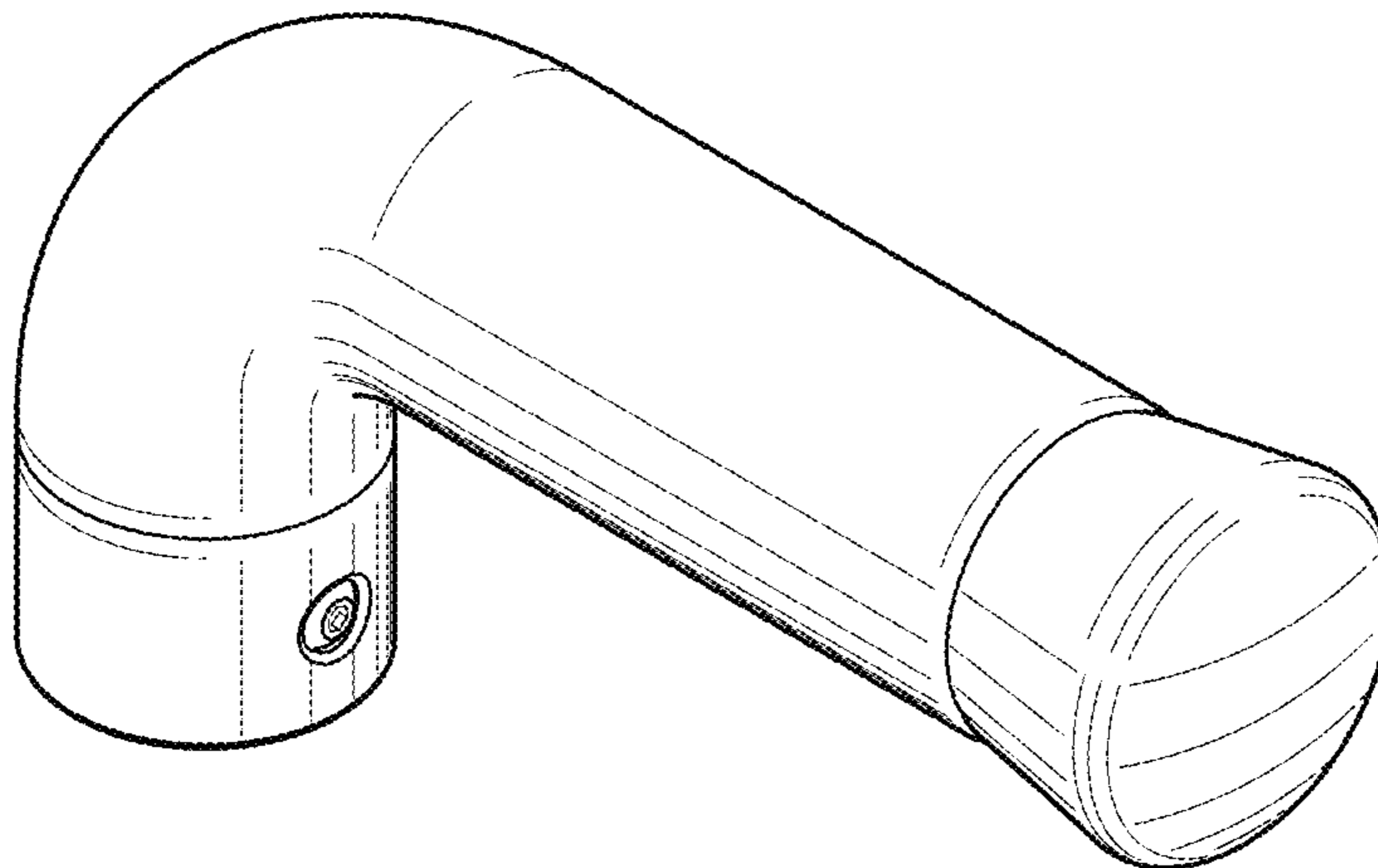
FIG. 6 is a top view thereof.

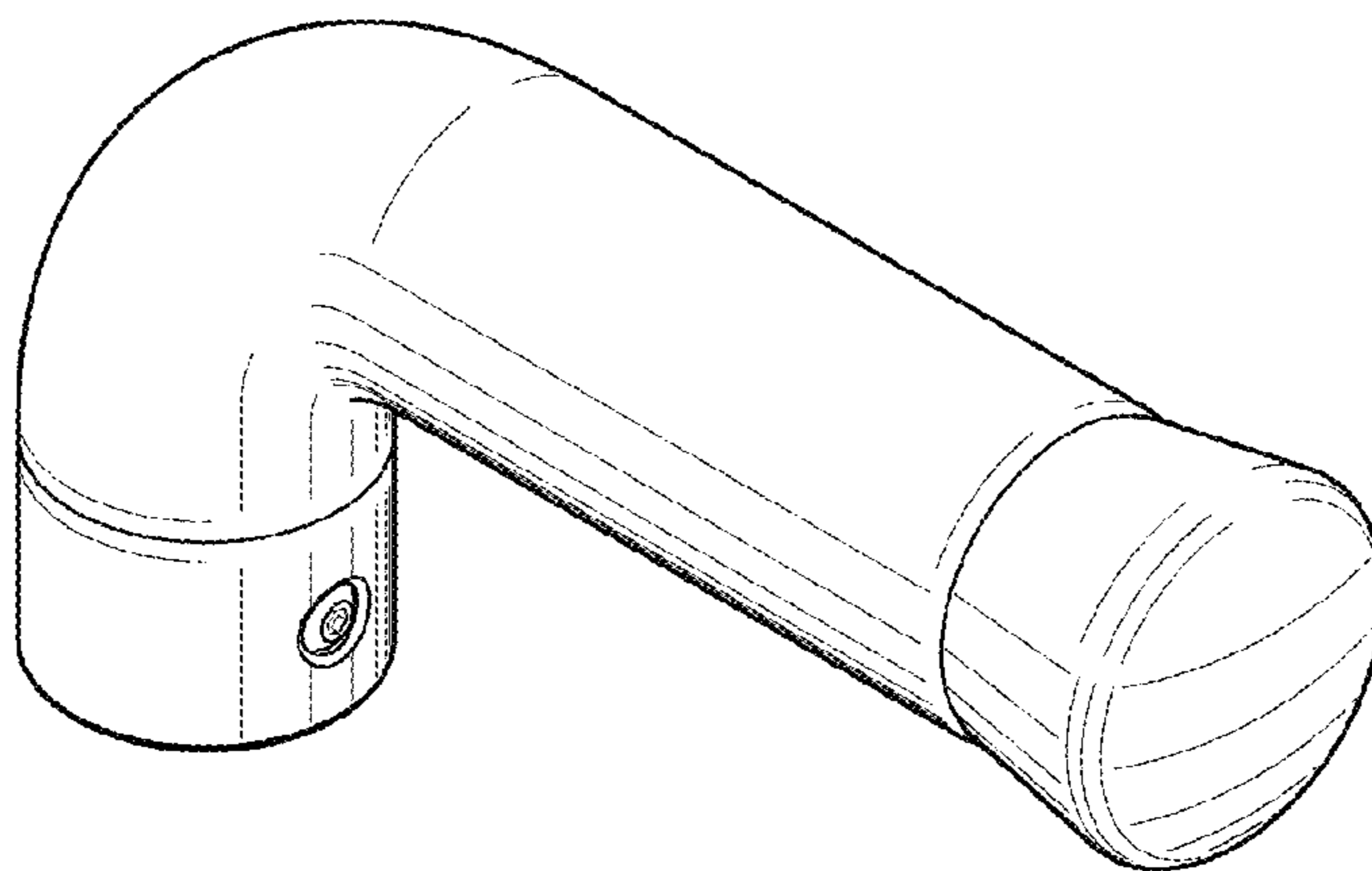
21/0615; A63B 21/062; A63B 21/075; A63B

21/08; A63B 21/1492; Y10T 137/87072

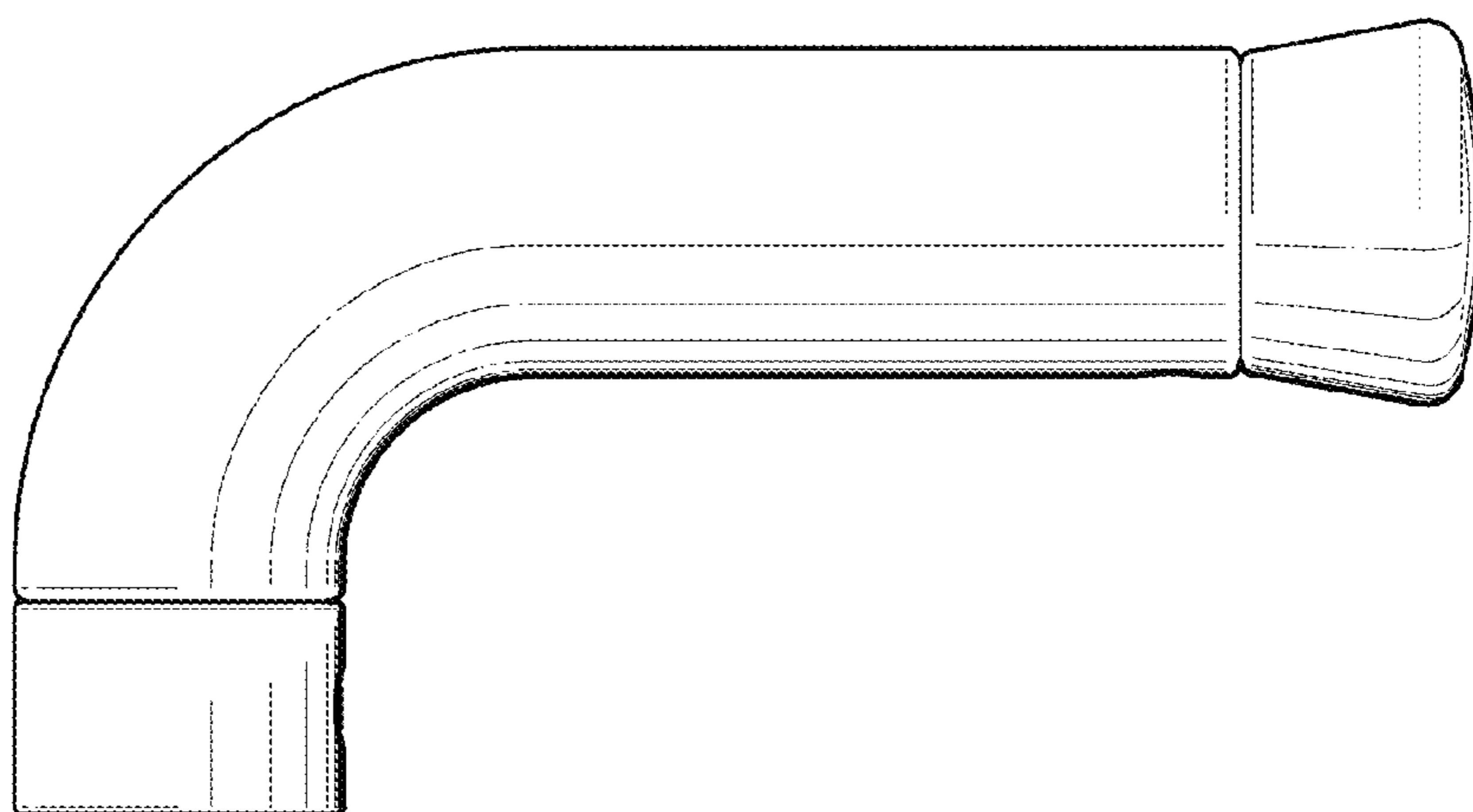
See application file for complete search history.

**1 Claim, 2 Drawing Sheets**





**FIG. 1**



**FIG. 2**

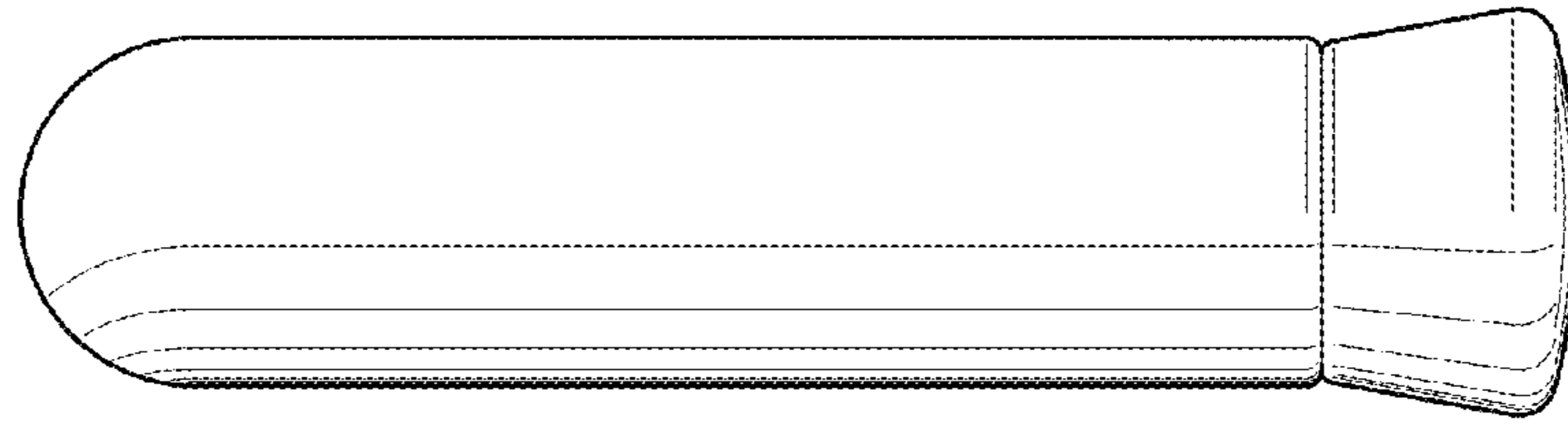


FIG. 3

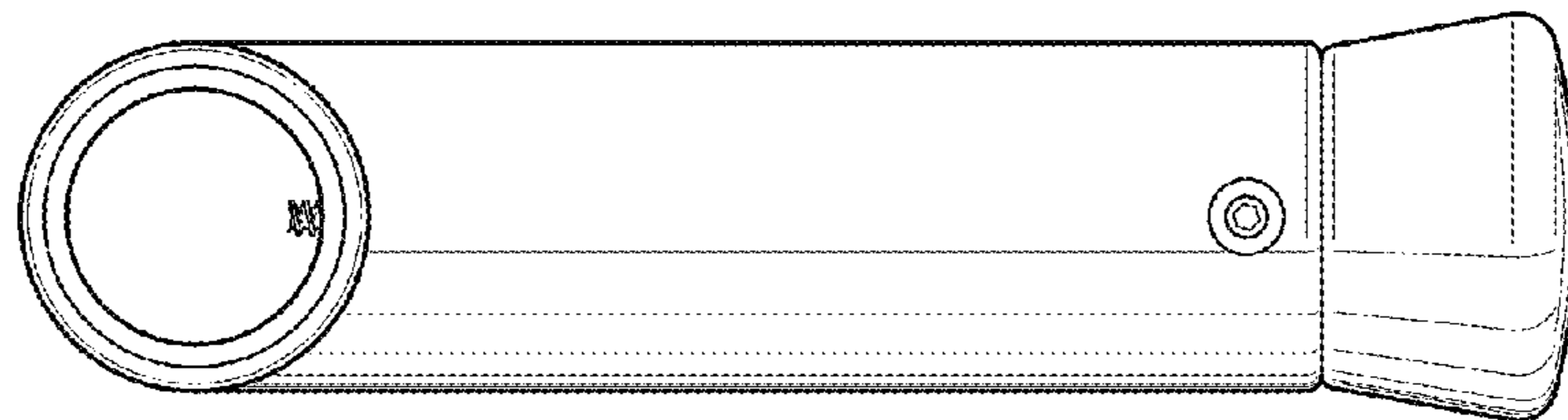


FIG. 4

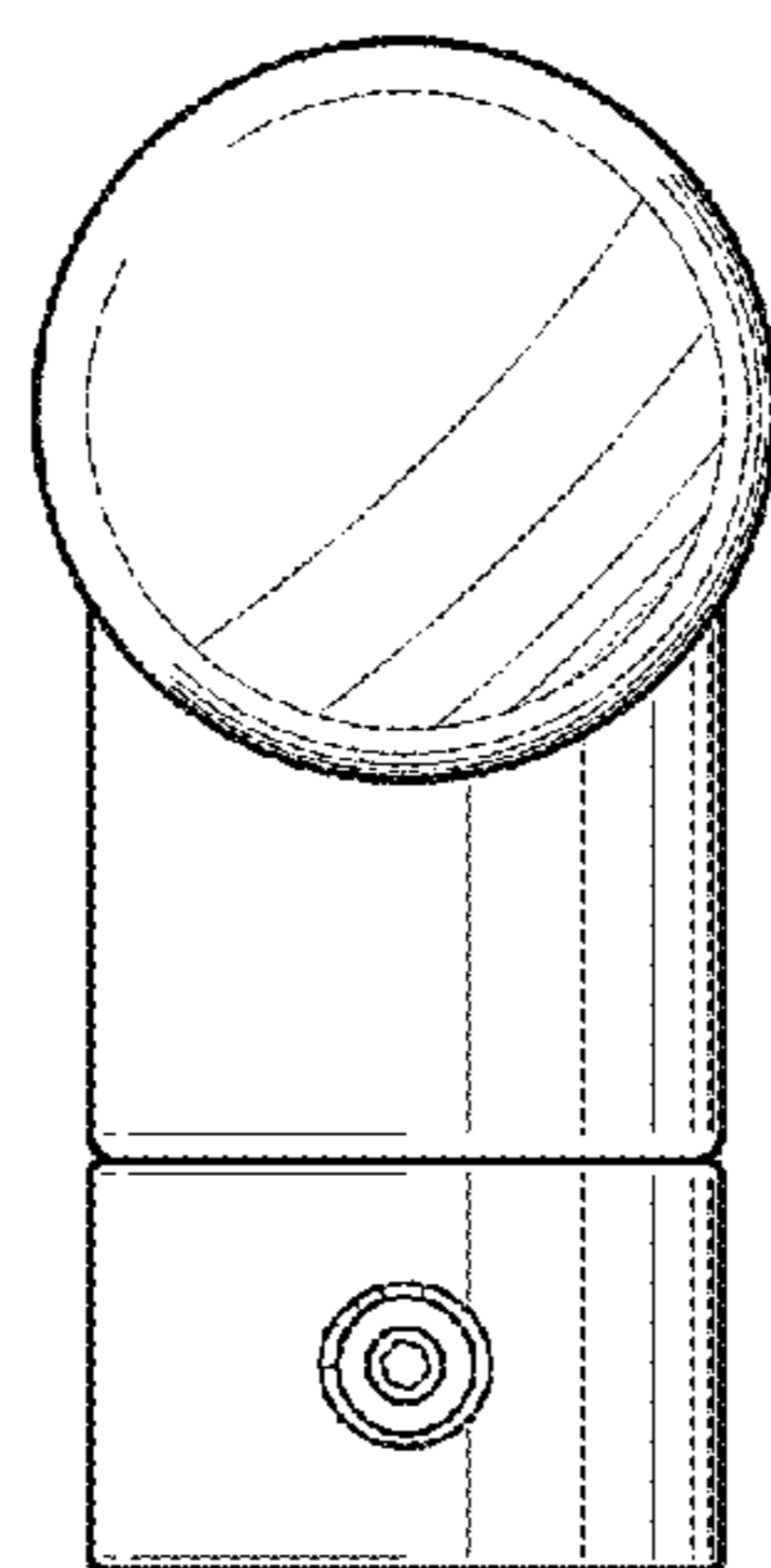


FIG. 5

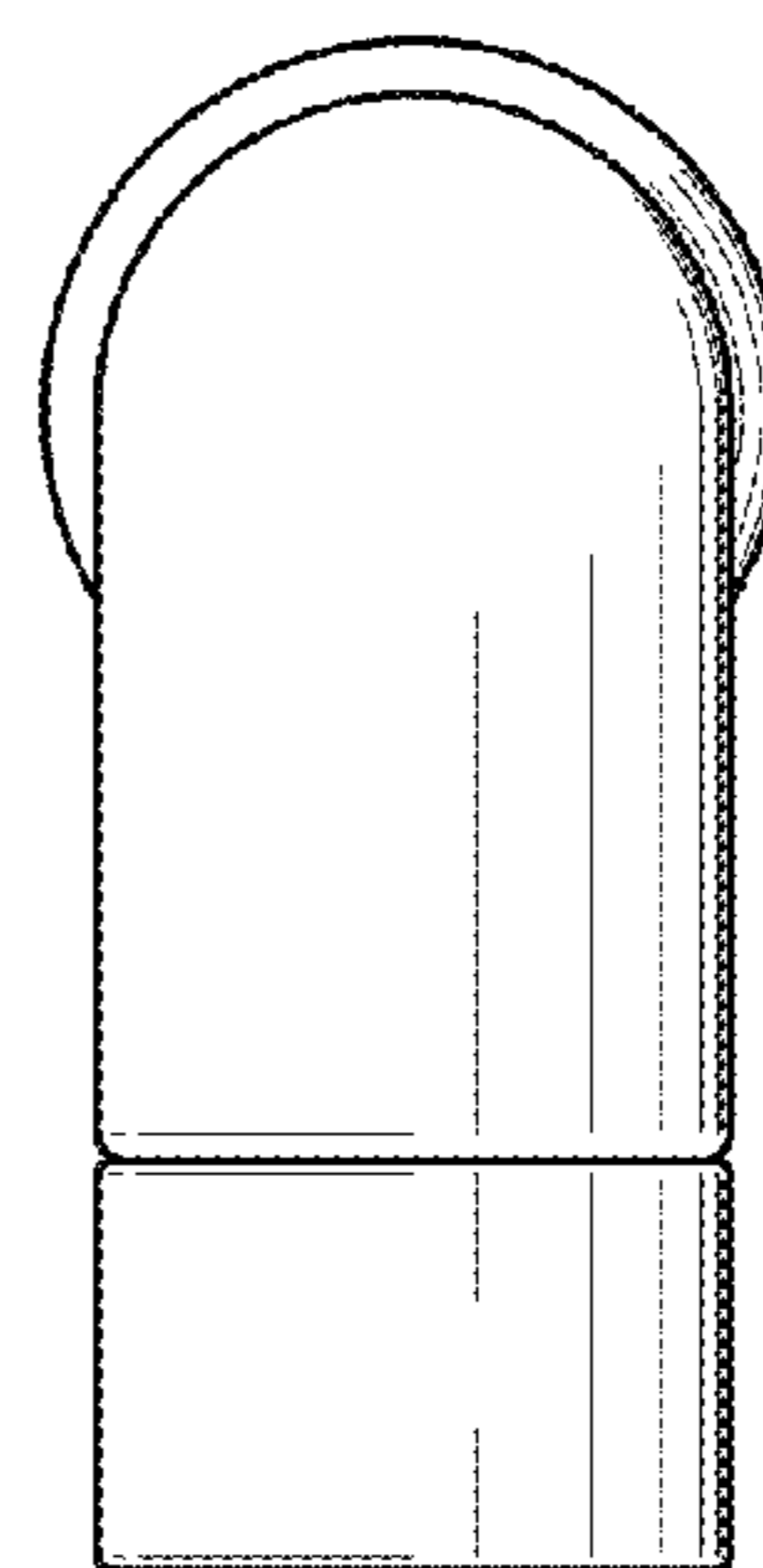


FIG. 6