



US00D752162S

(12) **United States Design Patent**
Adrig

(10) **Patent No.:** **US D752,162 S**
(45) **Date of Patent:** **** Mar. 22, 2016**

(54) **HANDLEBAR COVER**

(71) Applicant: **Cynthia Sue Adrig**, Irvine, CA (US)

(72) Inventor: **Cynthia Sue Adrig**, Irvine, CA (US)

(**) Term: **14 Years**

(21) Appl. No.: **29/479,093**

(22) Filed: **Jan. 10, 2014**

(51) **LOC (10) Cl.** **21-02**

(52) **U.S. Cl.**

USPC **D21/694**

(58) **Field of Classification Search**

USPC D21/662, 663, 694; D8/303; 482/148;
297/184, 219, 228, 229; 296/136.1

CPC B60N 2/60; B60N 2/6063; B60N 2/2881;
B60N 2/2845; B60N 2/58; A47C 31/11;
A47C 7/66; A47C 29/006; A47C 7/386;
A47C 7/74; A47D 13/02; B62K 21/26

See application file for complete search history.

(56) **References Cited**

U.S. PATENT DOCUMENTS

D273,936	S	*	5/1984	Schmid	D8/303
4,579,385	A	*	4/1986	Koenig	297/184.12
6,056,355	A	*	5/2000	Klassen	297/184.13
D610,854	S	*	3/2010	Siklosi et al.	D6/611
D673,784	S	*	1/2013	Lang	D6/333
2006/0108842	A1	*	5/2006	Davis et al.	297/184.13
2007/0040426	A1	*	2/2007	Kenny	297/229
2007/0099779	A1	*	5/2007	Boehm et al.	482/148
2007/0158984	A1	*	7/2007	Davis et al.	297/219.12
2008/0004168	A1	*	1/2008	Jackson	482/148
2008/0191529	A1	*	8/2008	Guercia et al.	297/229

2009/0295205	A1	*	12/2009	Friedland et al.	297/219.12
2010/0072793	A1	*	3/2010	Kress	297/184.13
2010/0109391	A1	*	5/2010	Berry	297/184.13

* cited by examiner

Primary Examiner — George D Kirschbaum

Assistant Examiner — Jennifer Watkins

(74) *Attorney, Agent, or Firm* — Fish & Tsang LLP

(57) **CLAIM**

The ornamental designs of a handlebar cover, as shown and described.

DESCRIPTION

FIG. 1 is a top, front, left side, perspective view of a handlebar cover of the new design.

FIG. 2 is a right side elevation view thereof, the left side elevation view being a mirror image.

FIG. 3 is a front elevation view thereof.

FIG. 4 is a top plan view thereof.

FIG. 5 is a rear elevation view thereof.

FIG. 6 is a bottom plan view thereof.

FIG. 7 (additional embodiment) illustrates an alternative top, front, left side, perspective view of the apparatus shown in FIGS. 1-6, but with the longer central aperture being disclaimed.

FIG. 8 is a right side elevation view thereof; the left side elevation view being a mirror image.

FIG. 9 is a front elevation view thereof.

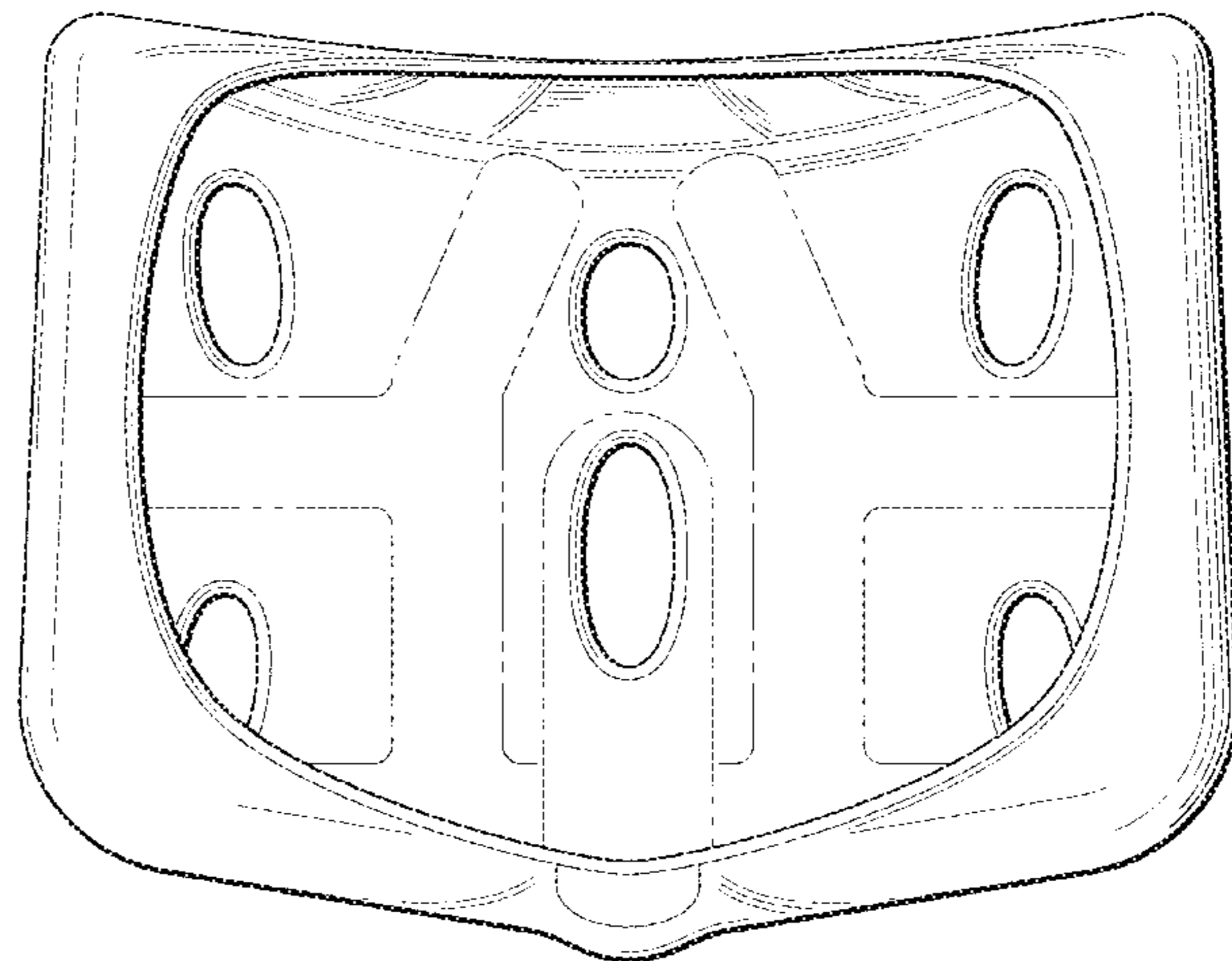
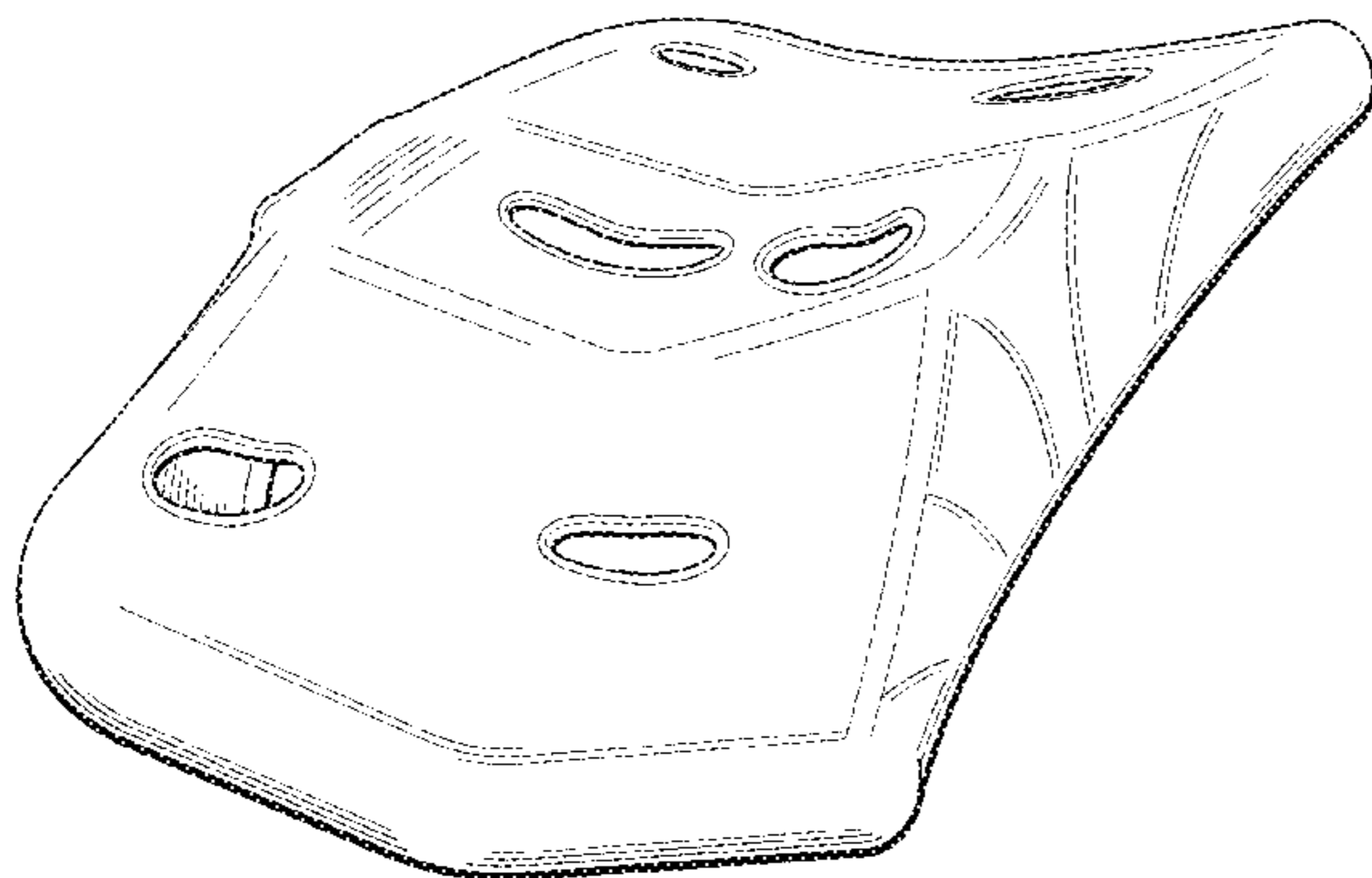
FIG. 10 is a top plan view thereof.

FIG. 11 is a rear elevation view thereof; and,

FIG. 12 is a bottom plan view thereof.

The unevenly dashed broken line showing of a handlebar is for the purpose of illustrating environment which forms no part of the claim. The evenly dashed broken line showing on the handlebar cover in FIGS. 7-12 is for the purpose of defining the claim boundary.

1 Claim, 6 Drawing Sheets



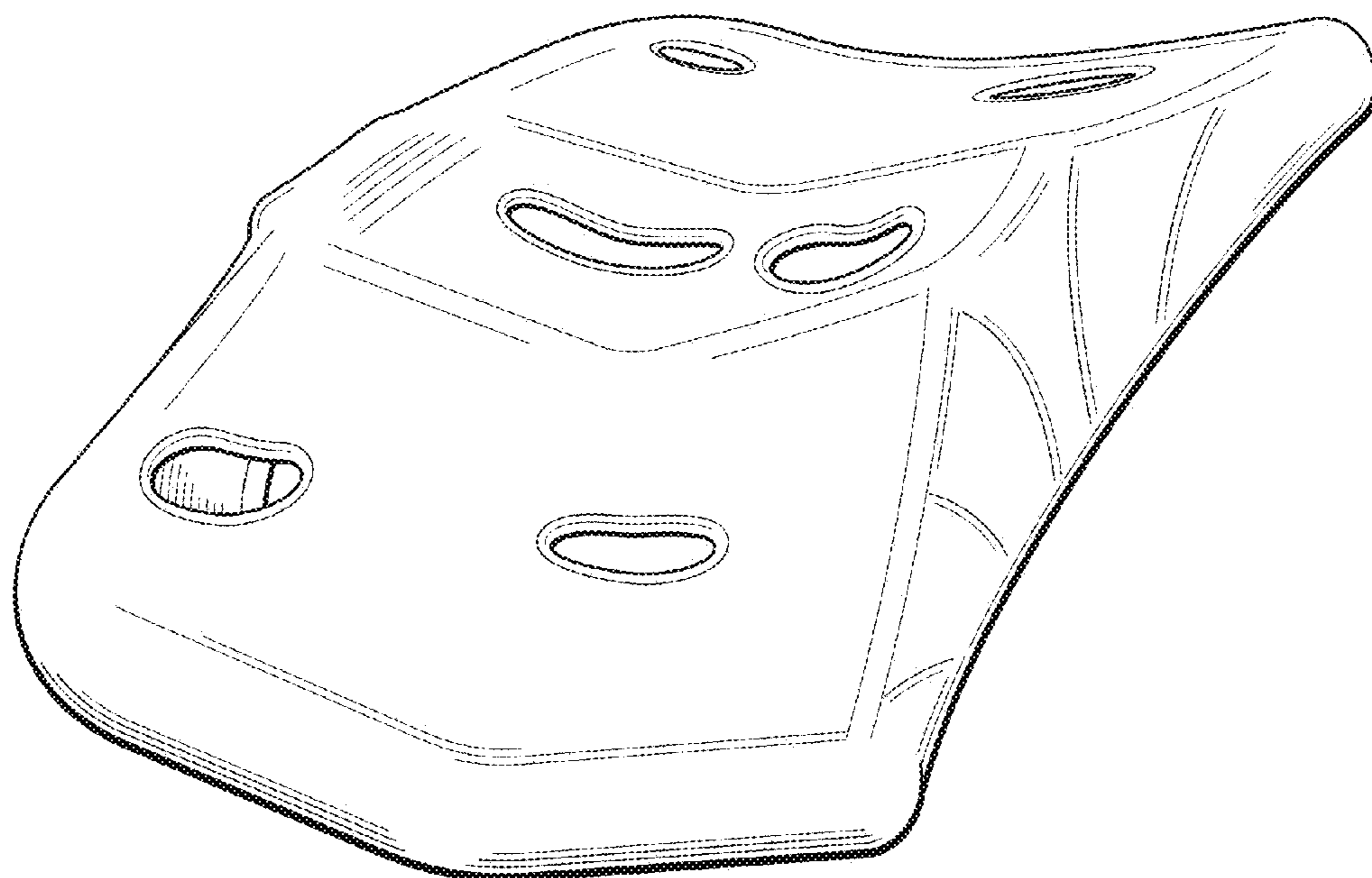


FIG. 1

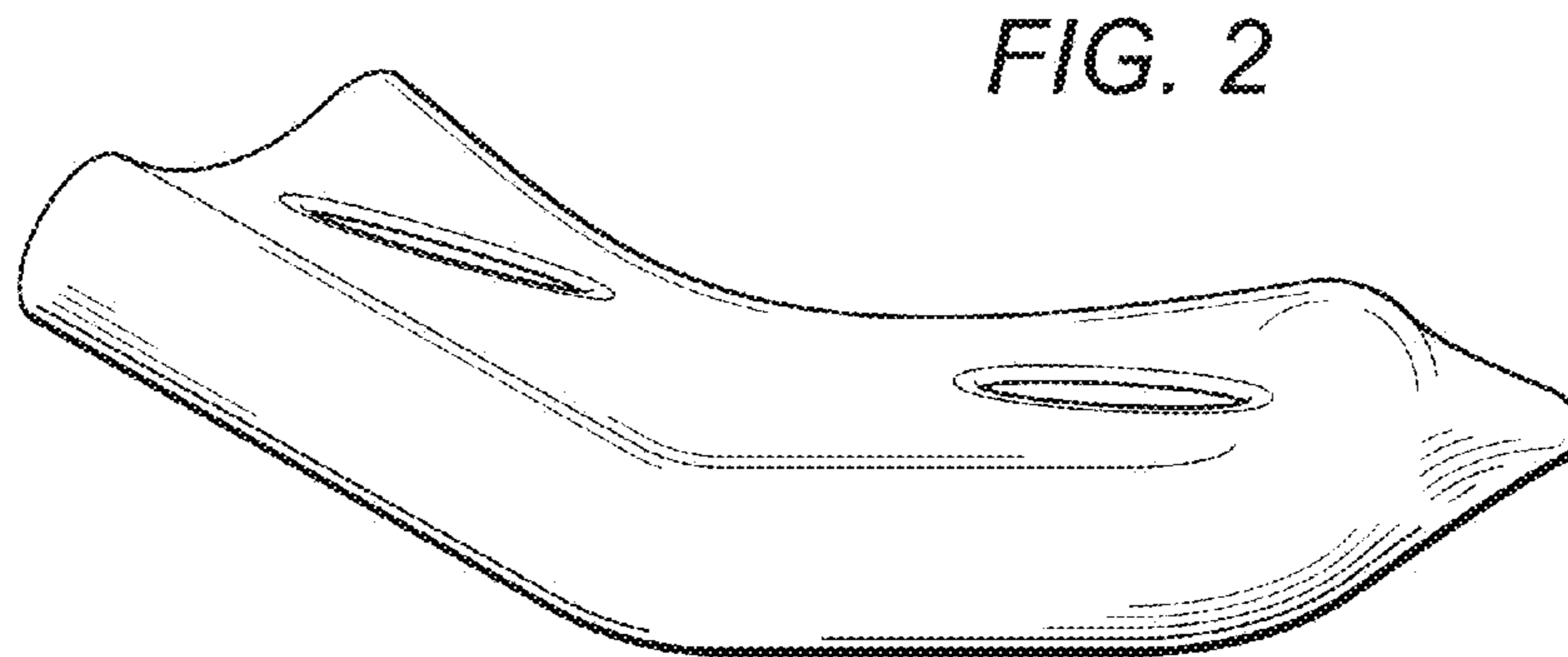


FIG. 2

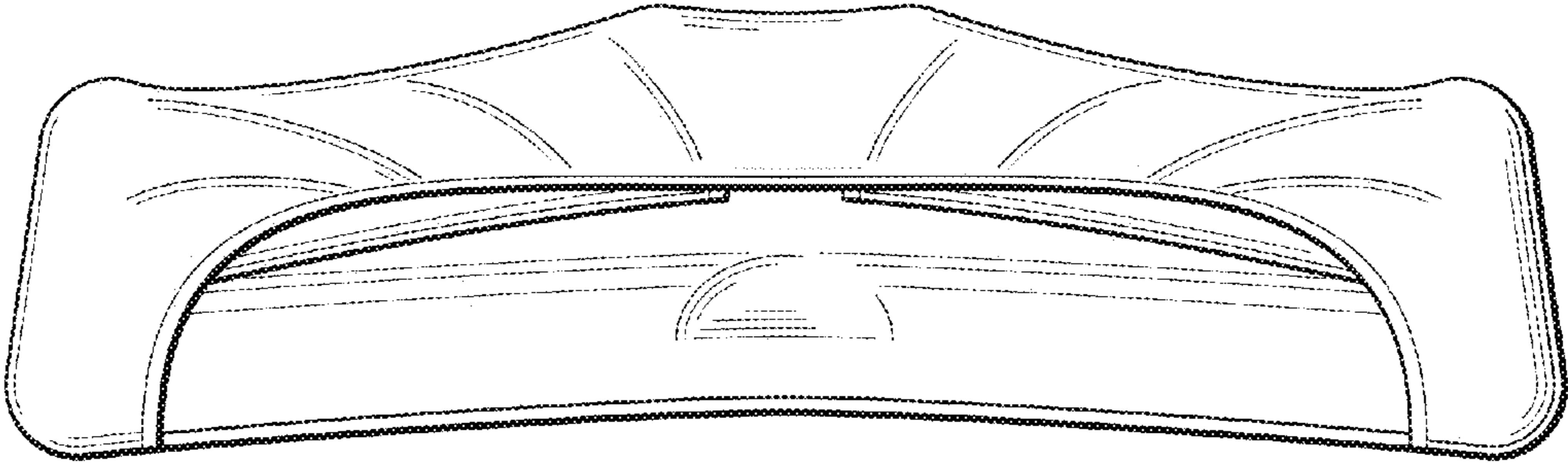
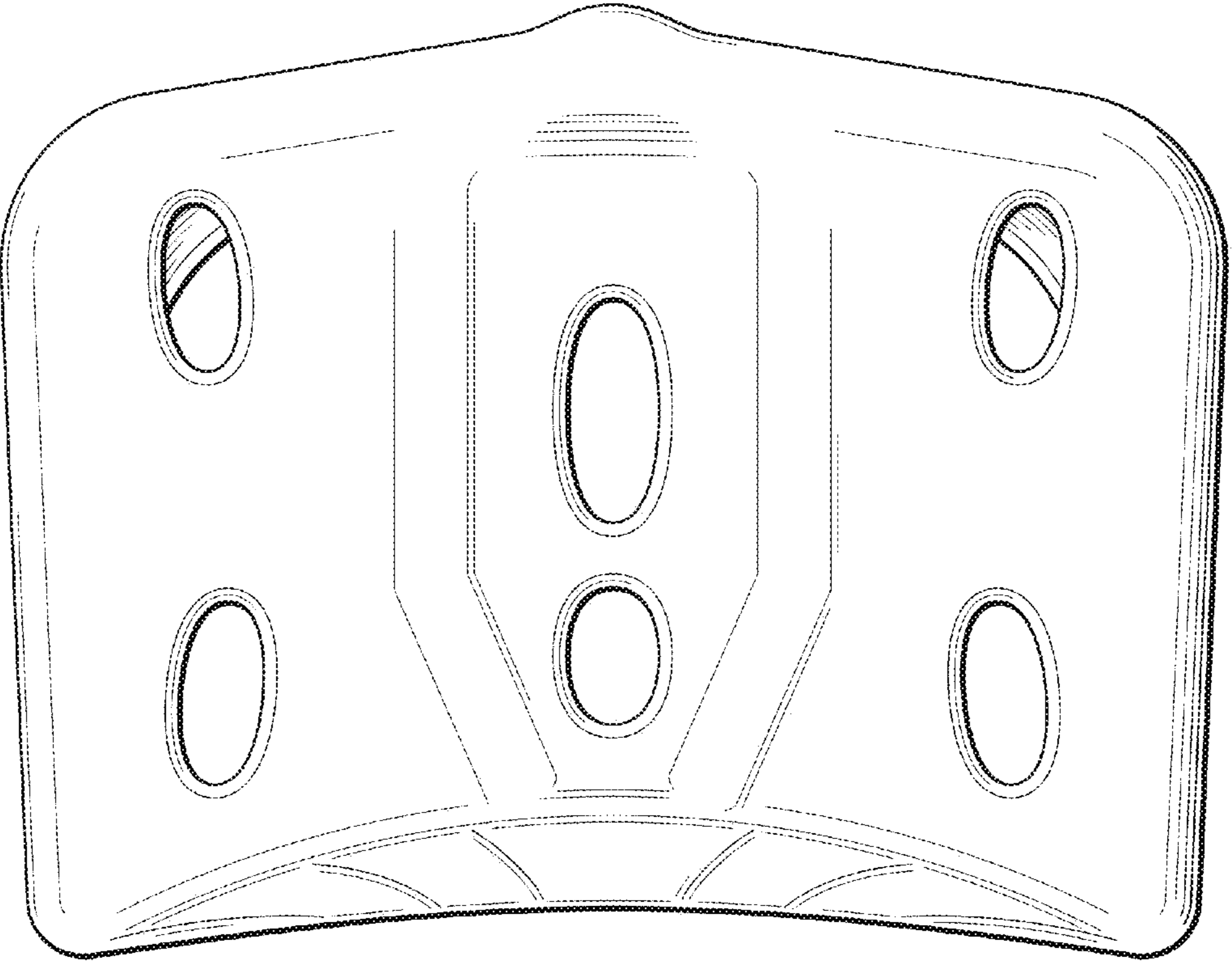


FIG. 3

FIG. 4



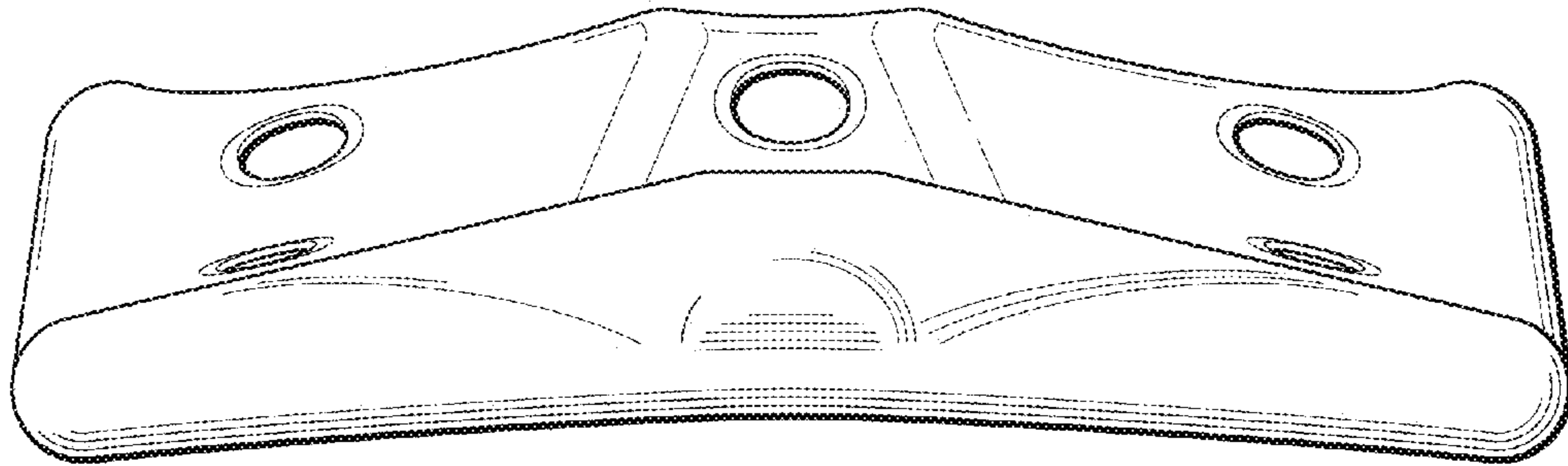
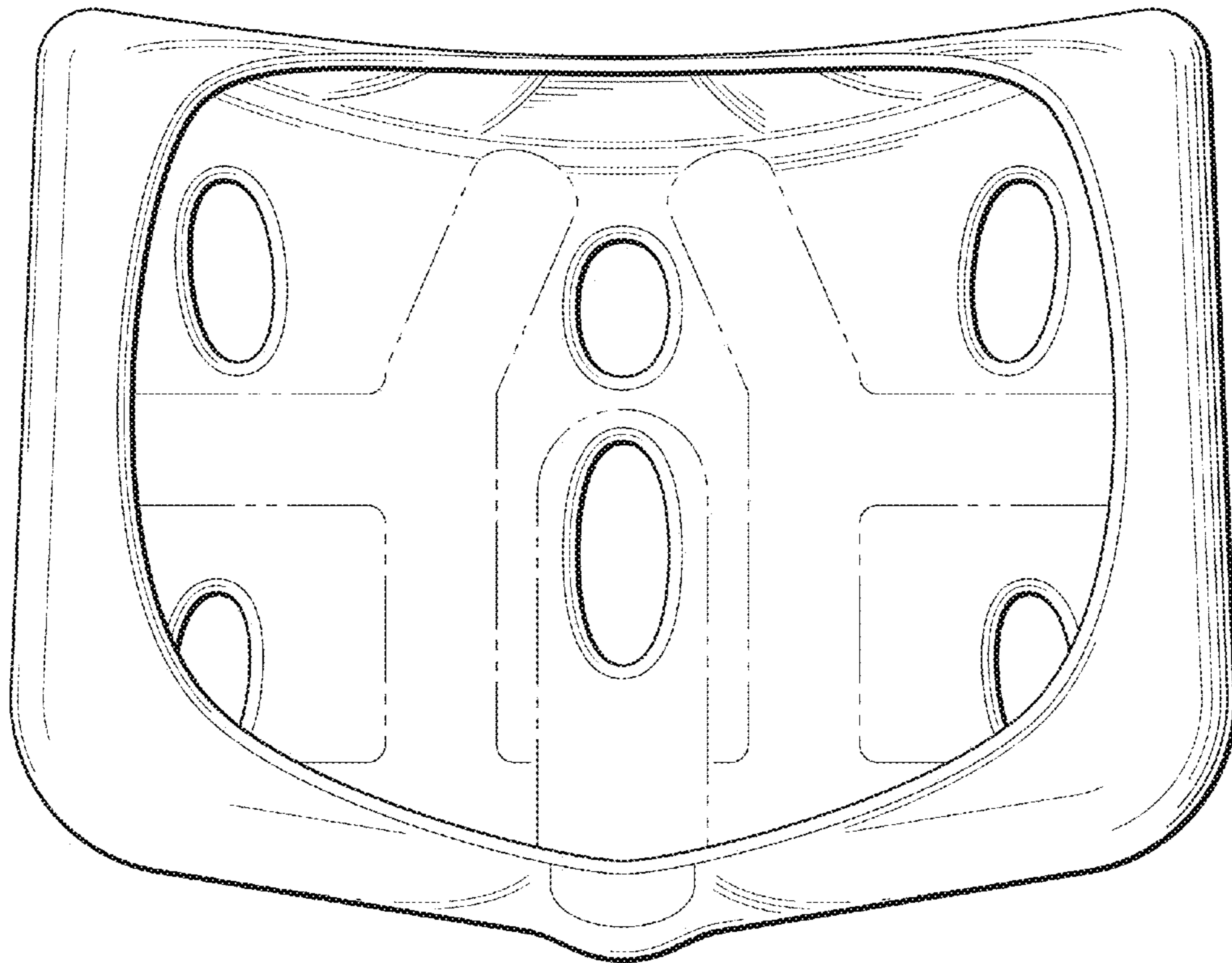


FIG. 5

FIG. 6



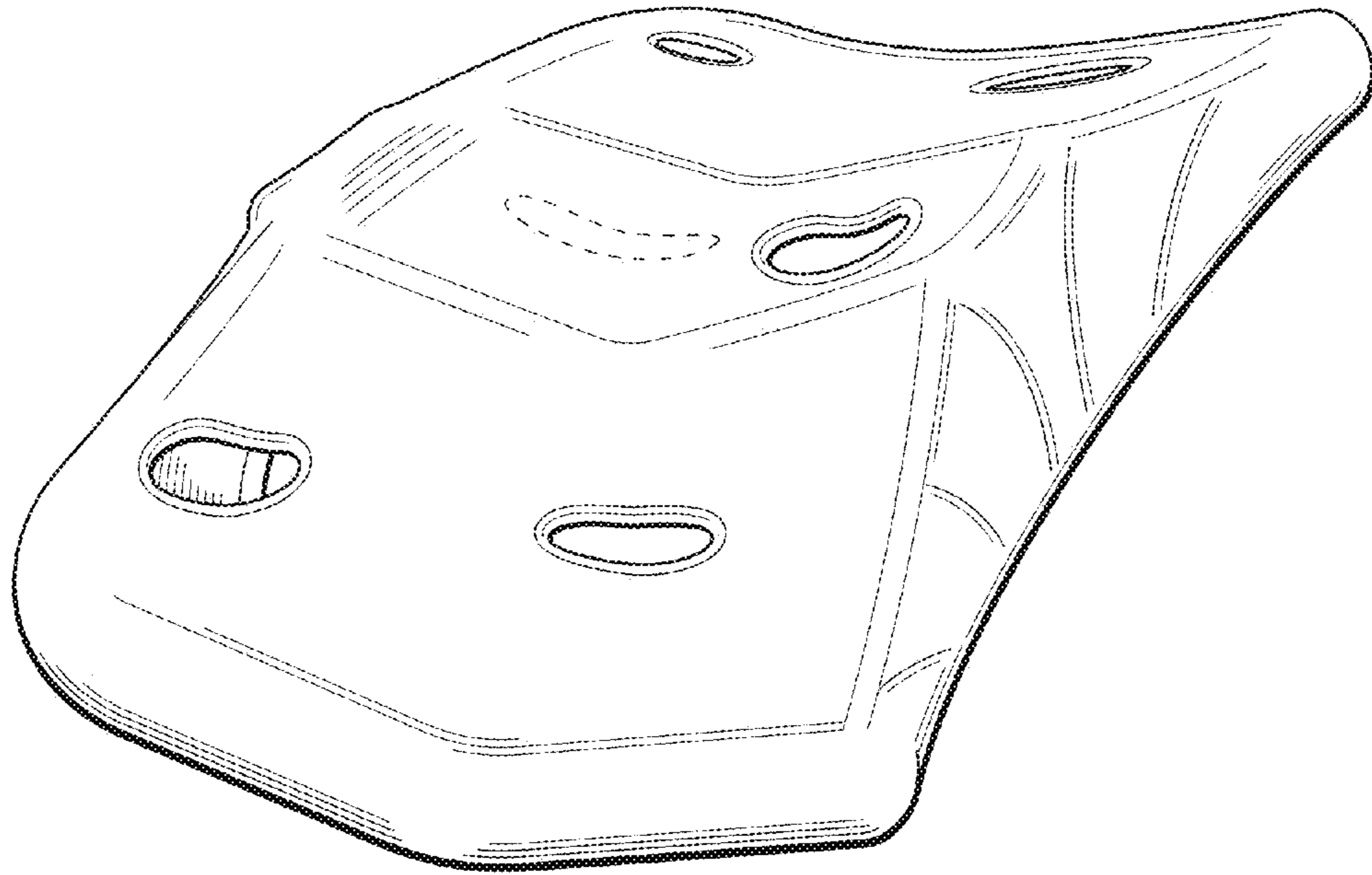


FIG. 7

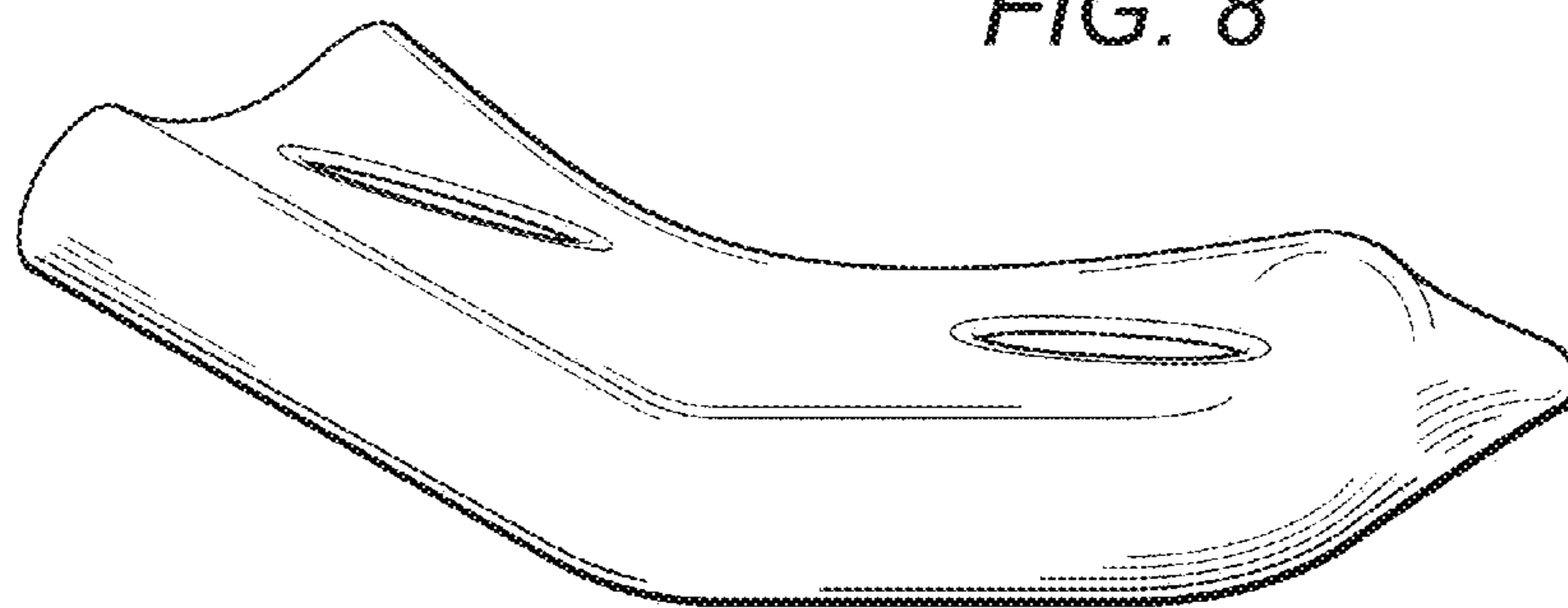


FIG. 8

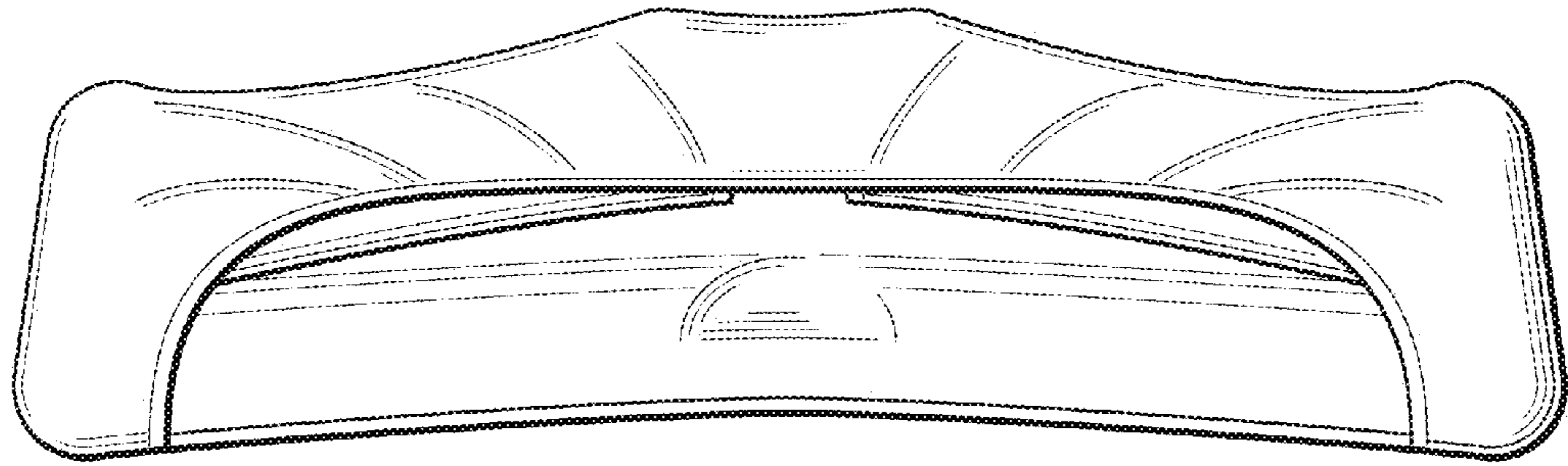
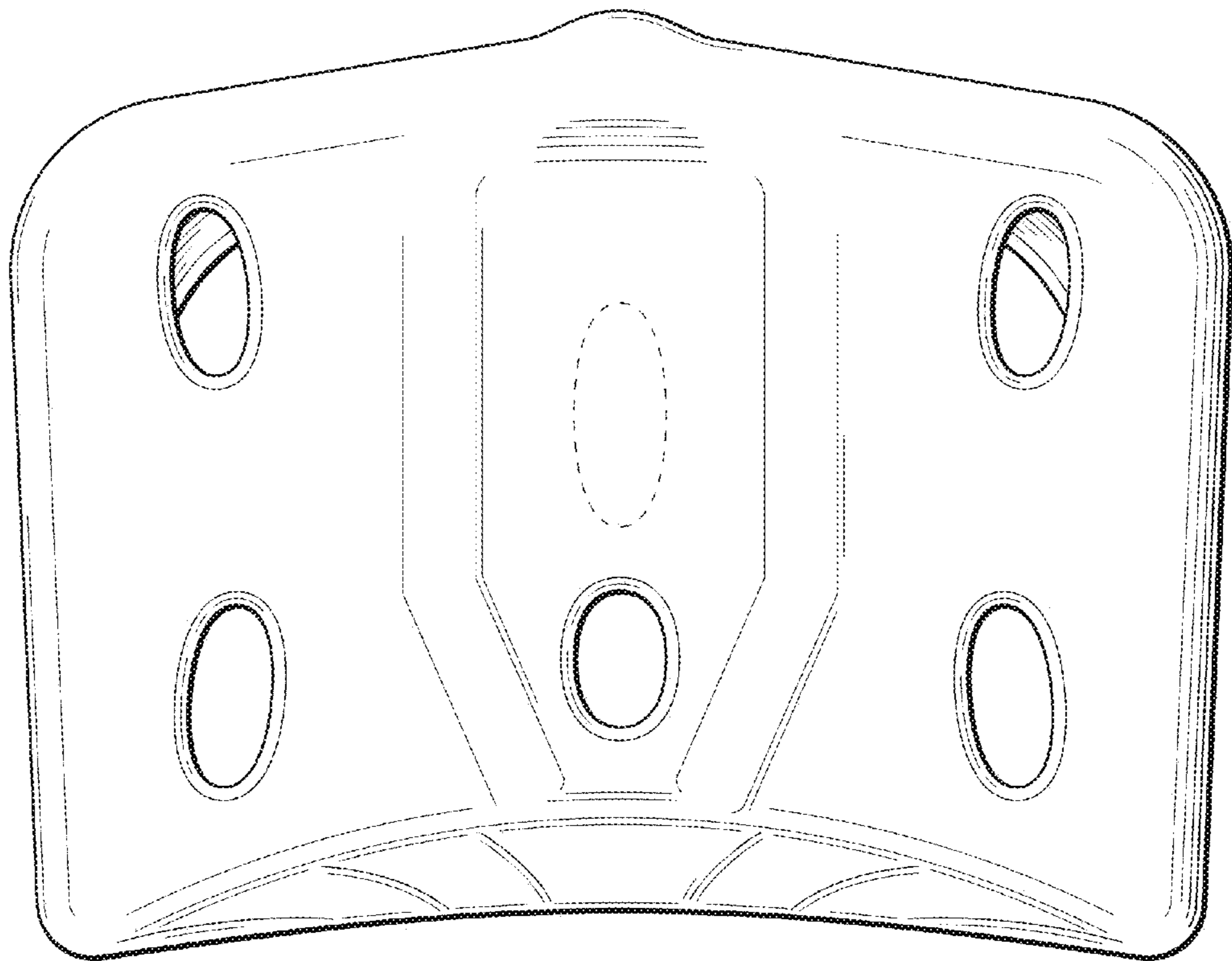


FIG. 9

FIG. 10



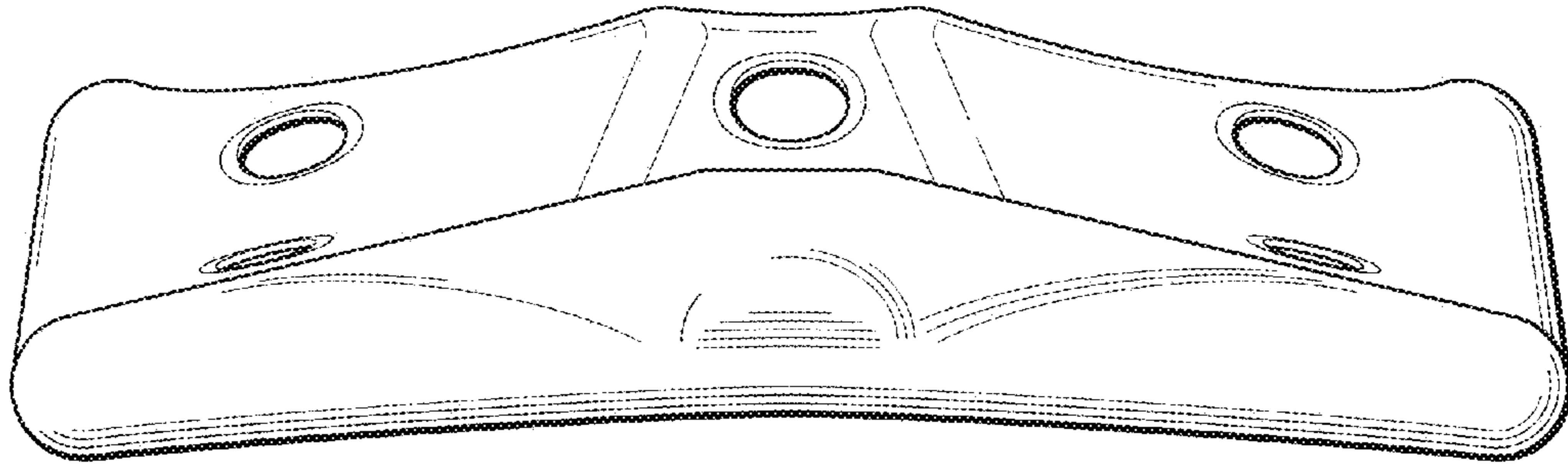


FIG. 11

FIG. 12

