



US00D752160S

(12) **United States Design Patent**
Widerman

(10) **Patent No.:** **US D752,160 S**
(45) **Date of Patent:** **** Mar. 22, 2016**

(54) **HEART SHAPED EXERCISE DEVICE**
(71) Applicant: **Paul Widerman**, Accord, NY (US)
(72) Inventor: **Paul Widerman**, Accord, NY (US)
(**) Term: **14 Years**
(21) Appl. No.: **29/497,863**
(22) Filed: **Jul. 29, 2014**
(51) **LOC (10) Cl.** **21-02**
(52) **U.S. Cl.**
USPC **D21/684**
(58) **Field of Classification Search**
USPC D21/688, 662, 686, 679, 691, 682, 753,
D21/723, 400, 775, 726, 672, 684, 681;
D24/211, 212, 214; 601/120; 36/134;
29/428; 482/50, 106, 139, 46, 107,
482/129, 121, 102, 45, 92, 93, 44, 108, 110,
482/111, 94, 105, 109, 49, 141; 604/1;
135/77; D7/682; D8/376, 378, 77;
D3/7; D10/81; D25/126; 473/256
CPC A63B 21/0552; A63B 23/16; A63B
21/4035; A63B 21/0557; A63B 23/12; A63B
21/0004

See application file for complete search history.

(56) **References Cited**

U.S. PATENT DOCUMENTS

D274,283 S * 6/1984 Wright 482/108
4,632,391 A * 12/1986 Orak A63B 21/0608
446/170
D299,373 S * 1/1989 Parker D21/682
D302,195 S * 7/1989 Orak D21/682
5,137,502 A * 8/1992 Anastasi A63B 21/072
482/105
5,692,996 A * 12/1997 Widerman A63B 21/072
482/106
D438,265 S * 2/2001 Fenelon D21/682
6,319,176 B1 * 11/2001 Landfair A63B 21/06
482/106

D480,438 S * 10/2003 Walkow D21/681
D568,950 S * 5/2008 Yewer, Jr. D21/662
D575,361 S * 8/2008 Davis D21/682
7,553,259 B2 * 6/2009 Landfair A63B 21/072
482/49
7,785,240 B2 * 8/2010 Stugart A63B 21/06
482/108
D651,262 S * 12/2011 Kabbani-Crawford D21/686
D658,729 S * 5/2012 McLoughney D21/682
8,256,031 B2 * 9/2012 Von Kahle B62J 27/00
2/311
D712,987 S * 9/2014 Salzedo D21/662
D722,206 S * 2/2015 Gavish D29/100
D731,006 S * 6/2015 Birt D21/680
D738,970 S * 9/2015 Maribona D21/684
D741,961 S * 10/2015 Maribona D21/684
2006/0073951 A1 * 4/2006 Walkow A63B 21/0601
482/109
2010/0190607 A1 * 7/2010 Widerman A63B 21/0004
482/1

* cited by examiner

Primary Examiner — Robert M Spear

Assistant Examiner — Ryan Harvey

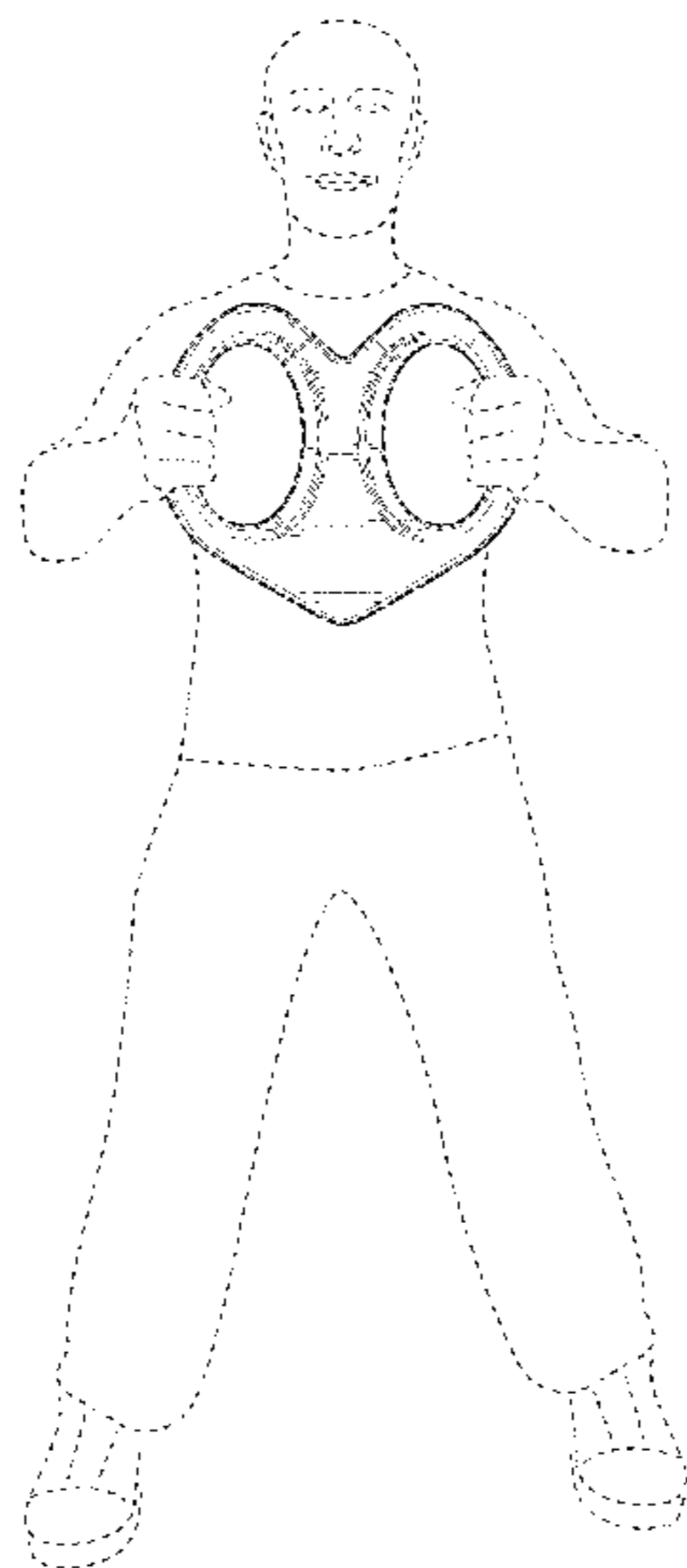
(57) **CLAIM**

I claim the ornamental design for a heart shaped exercise device, as shown and described.

DESCRIPTION

FIG. 1 is a perspective view from the front, left side, and top of a heart shaped exercise device showing my new design; FIG. 2 is a front elevation view thereof; FIG. 3 is a rear elevation view thereof; FIG. 4 is a left side elevation view thereof; FIG. 5 is a bottom plan view thereof; FIG. 6 is a top plan view thereof; and, FIG. 7 shows one use of the device in its environment. The right side elevation view is a mirror image of the left side. The broken lines illustrate environment and form no part of the claimed design.

1 Claim, 6 Drawing Sheets



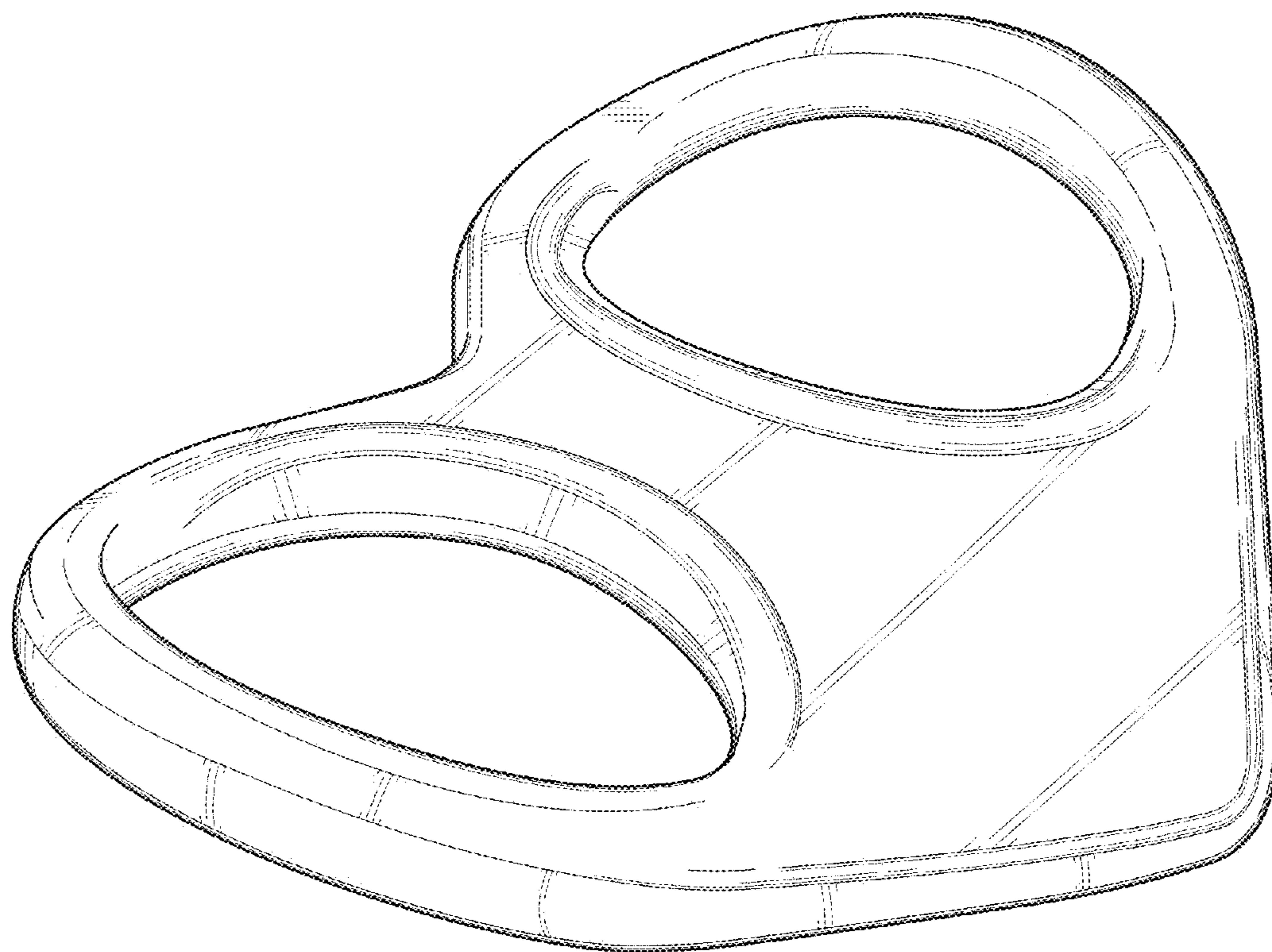


FIG. 1

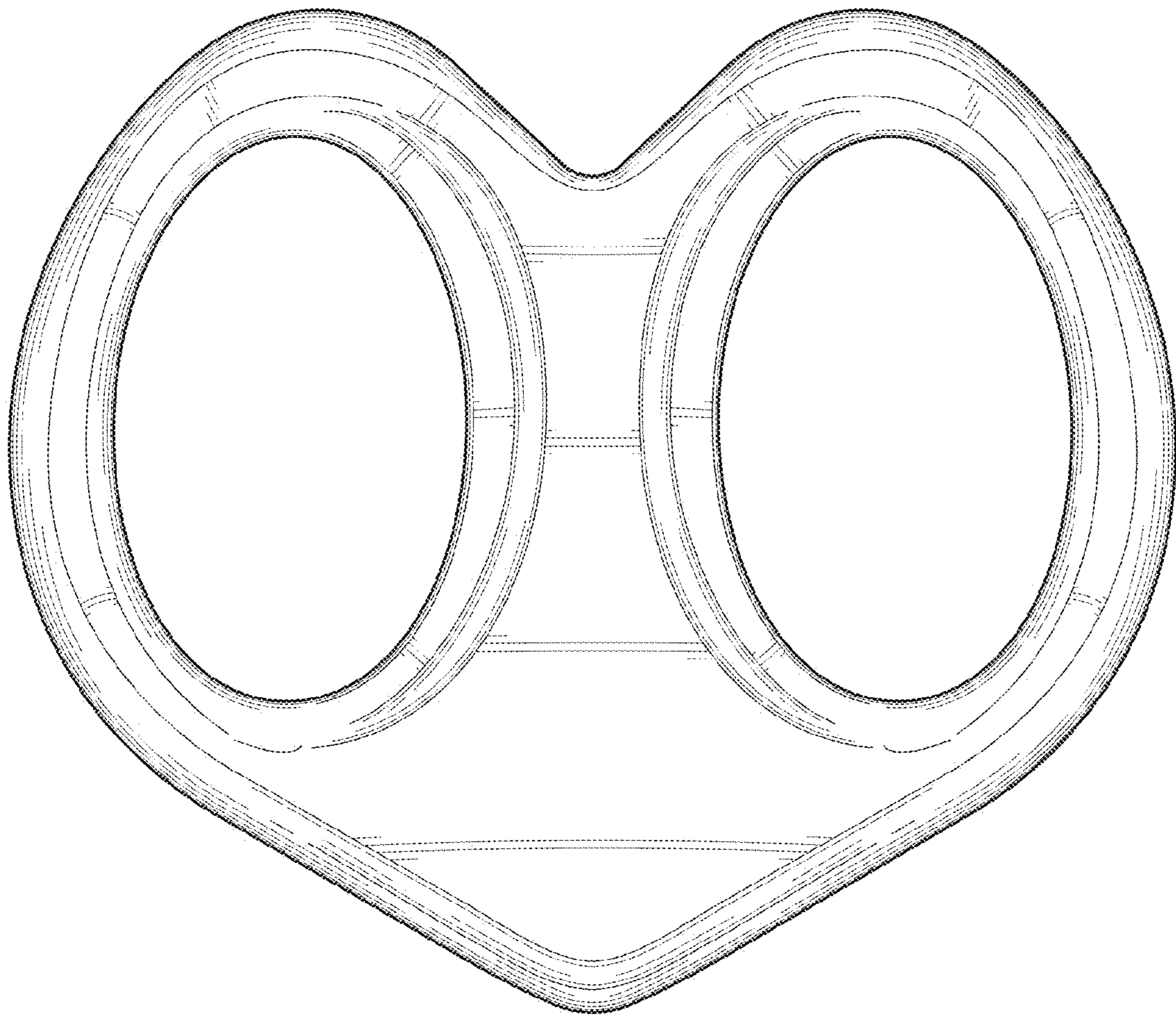


FIG. 2

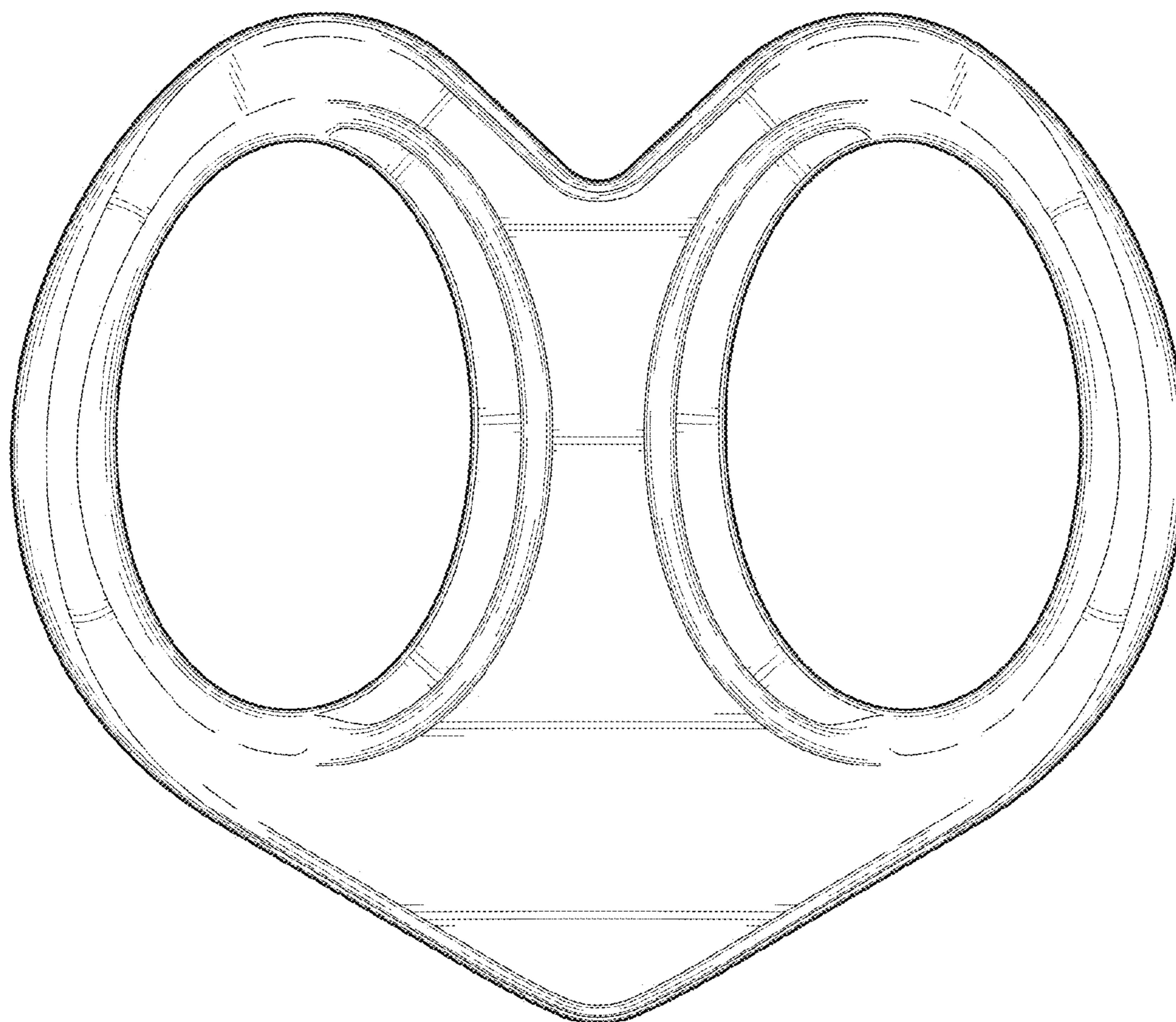


FIG. 3

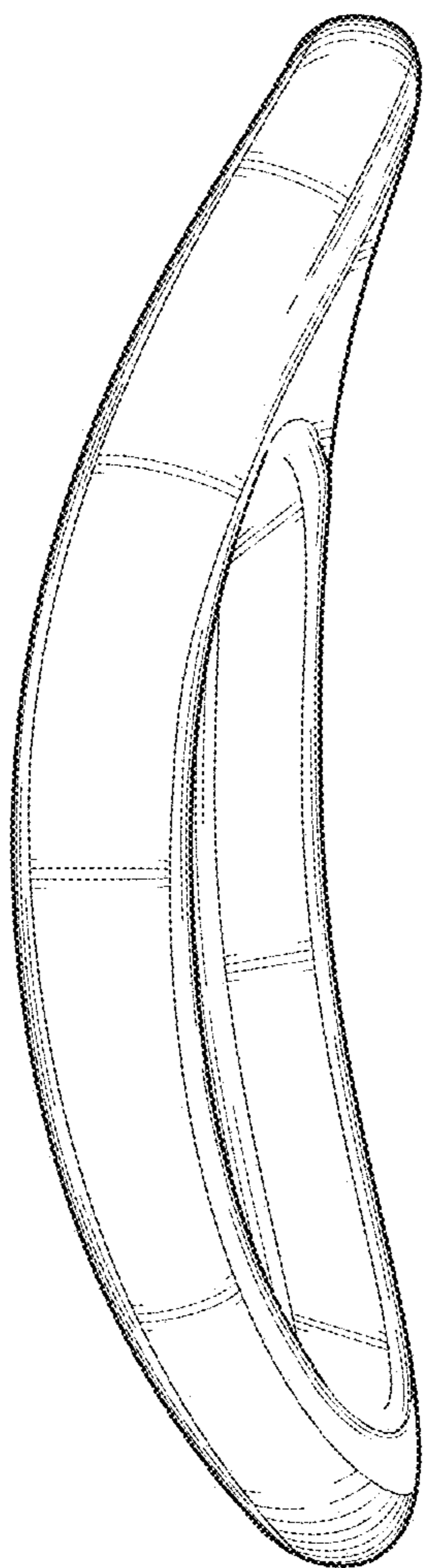


FIG. 4

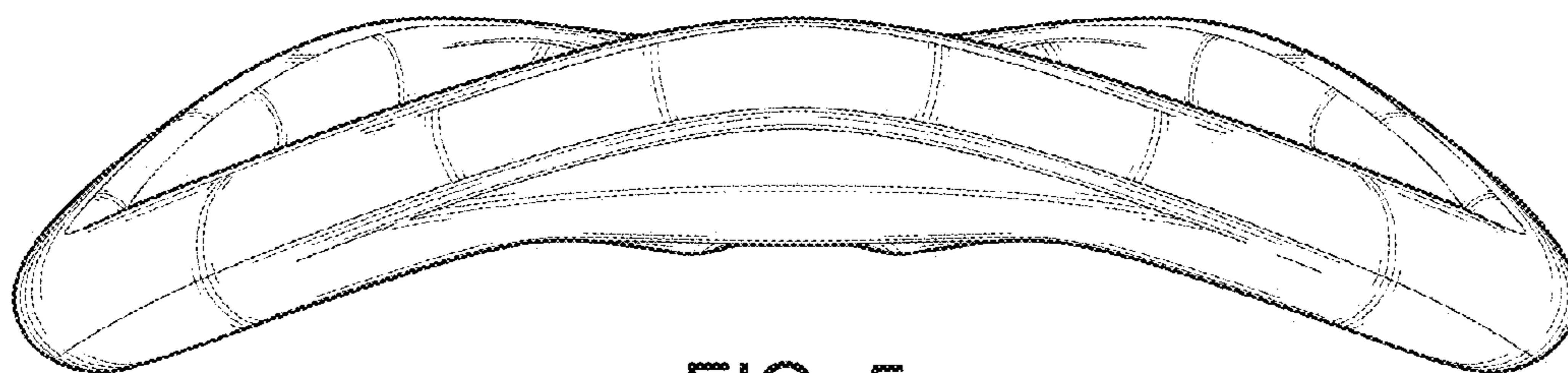


FIG. 5

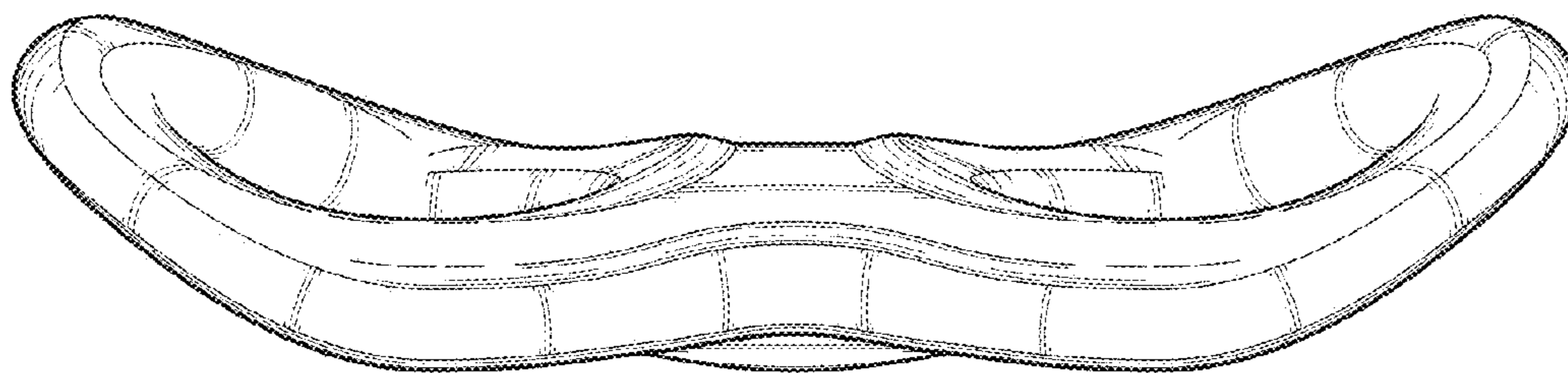


FIG. 6

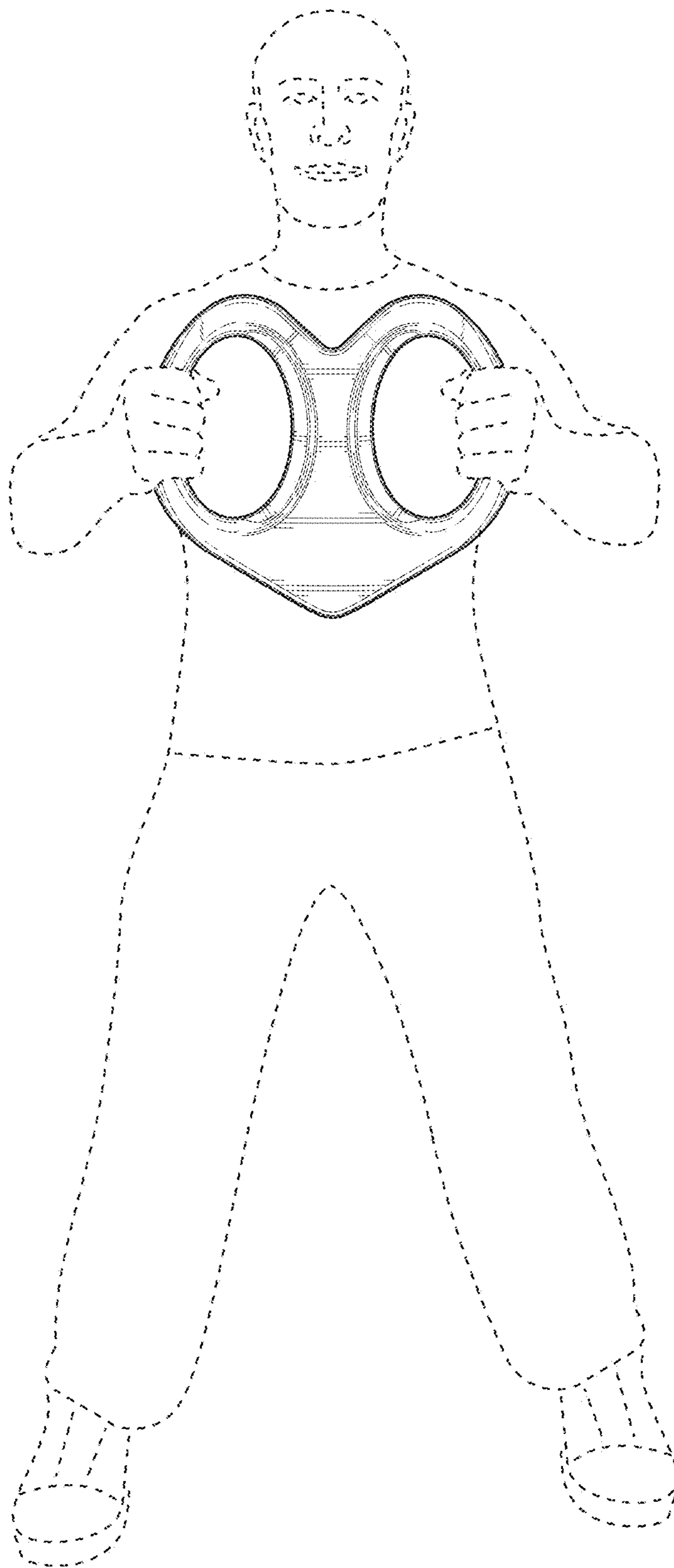


FIG. 7