



US00D752157S

(12) **United States Design Patent**
Smith et al.

(10) **Patent No.:** **US D752,157 S**
(45) **Date of Patent:** **** Mar. 22, 2016**

(54) **TOY WEAPON**

(56) **References Cited**

(71) Applicants: **Joseph Smith**, Elkins Park, PA (US);
Matthias F. W. Doepner, Harleysville,
PA (US); **Michael Klitsch**, Quakertown,
PA (US)

U.S. PATENT DOCUMENTS

D298,344	S	*	11/1988	Sellner	D21/570
5,283,970	A	*	2/1994	Aigner	42/57
D355,000	S	*	1/1995	Arad et al.	D21/570
D588,212	S	*	3/2009	Stadlbauer	D21/572
7,677,232	B2	*	3/2010	Rosenblum et al.	124/16
7,922,039	B2	*	4/2011	Jablonski et al.	222/79
D656,563	S	*	3/2012	Rucerito	D21/570
8,353,277	B2	*	1/2013	Huebl	124/78
D678,427	S	*	3/2013	Wilson	D21/572
D698,871	S	*	2/2014	Cummings	D21/570
9,027,541	B2	*	5/2015	Huebl	124/56

(72) Inventors: **Joseph Smith**, Elkins Park, PA (US);
Matthias F. W. Doepner, Harleysville,
PA (US); **Michael Klitsch**, Quakertown,
PA (US)

(73) Assignee: **K'NEX LIMITED PARTNERSHIP**
GROUP, Hatfield, PA (US)

* cited by examiner

(**) Term: **14 Years**

Primary Examiner — Cynthia M Chin

(21) Appl. No.: **29/501,818**

(74) *Attorney, Agent, or Firm* — St. Onge Steward Johnston
& Reens LLC

(22) Filed: **Sep. 9, 2014**

(57) **CLAIM**

(51) **LOC (10) Cl.** **21-01**

The ornamental design for a toy weapon, as shown and
described.

(52) **U.S. Cl.**

DESCRIPTION

USPC **D21/567**

(58) **Field of Classification Search**

USPC D21/333, 401, 461, 567, 569, 570, 572,
D21/573, 574; 124/16, 26, 27, 28, 29, 45,
124/56, 59, 65, 66, 73-77, 78; 446/23, 182,
446/192, 401, 403, 405-407, 473, 475;
42/54, 57, 58; D22/100, 103, 104;
D14/418

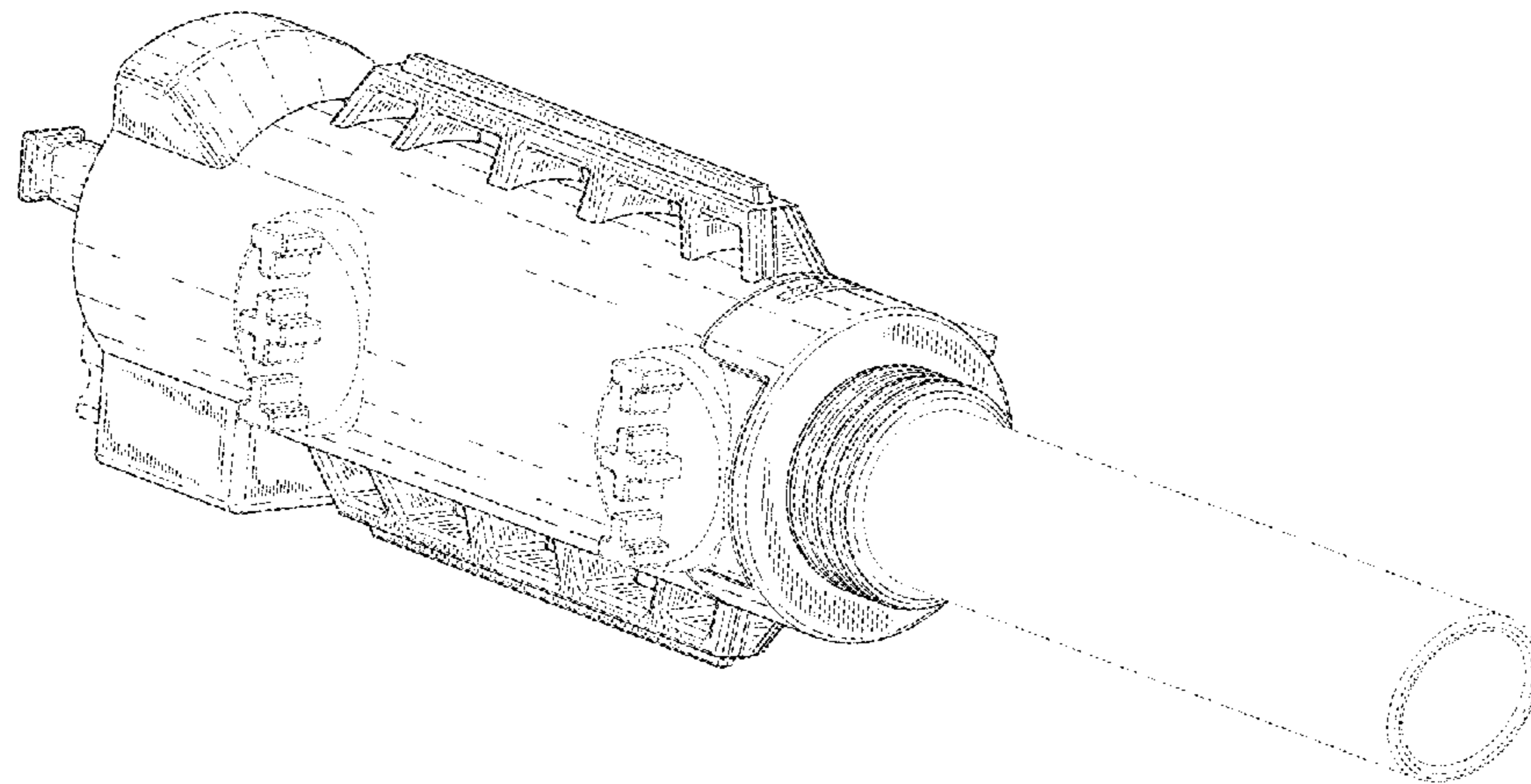
FIG. 1 is a front right side isometric view of a toy weapon in
accordance with the new design;
FIG. 2 is a right side elevational view thereof;
FIG. 3 is a bottom plan view thereof;
FIG. 4 is a top plan view thereof;
FIG. 5 is a left side elevational view thereof;
FIG. 6 is a front elevational view thereof; and,
FIG. 7 is a rear elevational view thereof.

CPC F42B 6/10; F42B 12/40; F42B 12/74;
F42B 33/00; F41B 7/00; F41B 7/08; F41B
11/51; F41B 11/57; F41B 11/66; F41B
11/641; F41B 11/642; F41B 11/646; F41B
11/681; F41B 11/723; F41B 11/89

The broken lines shown in FIGS. 1-7 are for the purpose of
illustrating portions of the toy weapon that form no part of the
claimed design.

See application file for complete search history.

1 Claim, 6 Drawing Sheets



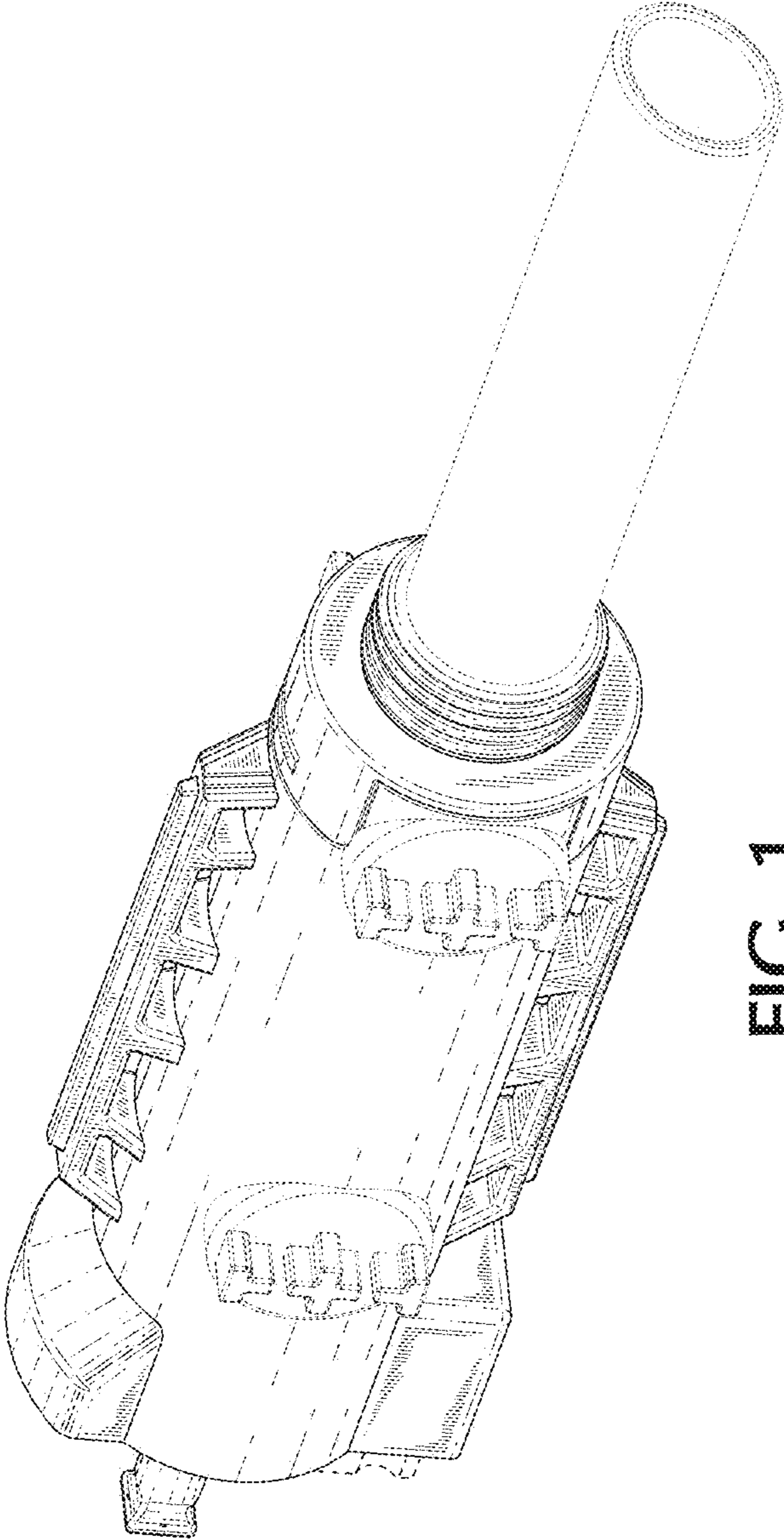


FIG. 1

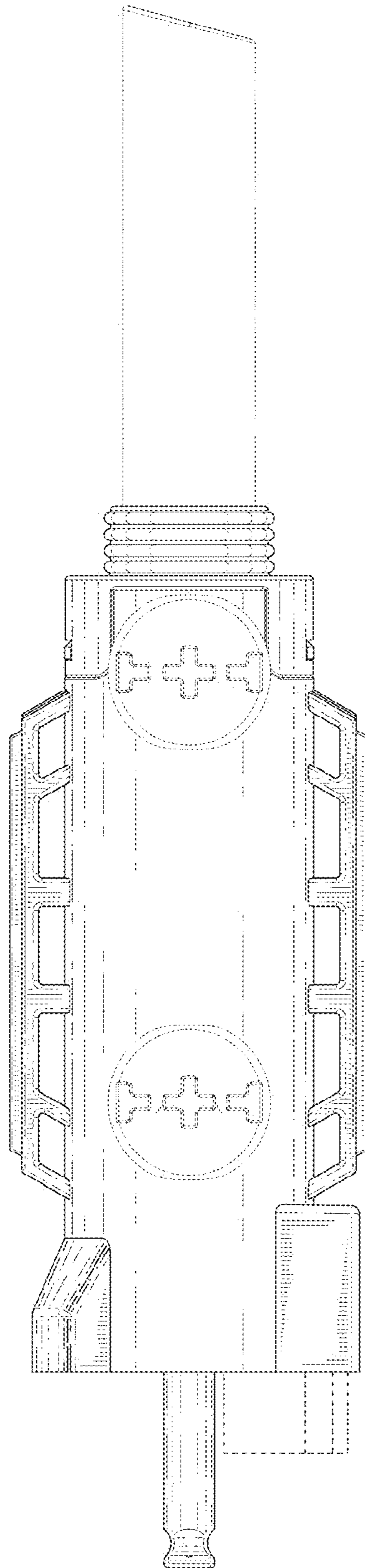


FIG. 2

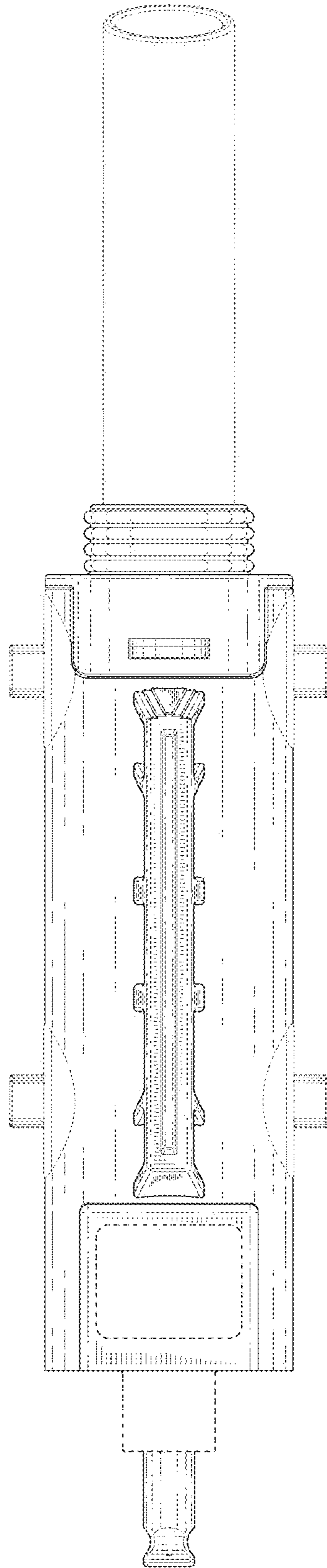


FIG. 3

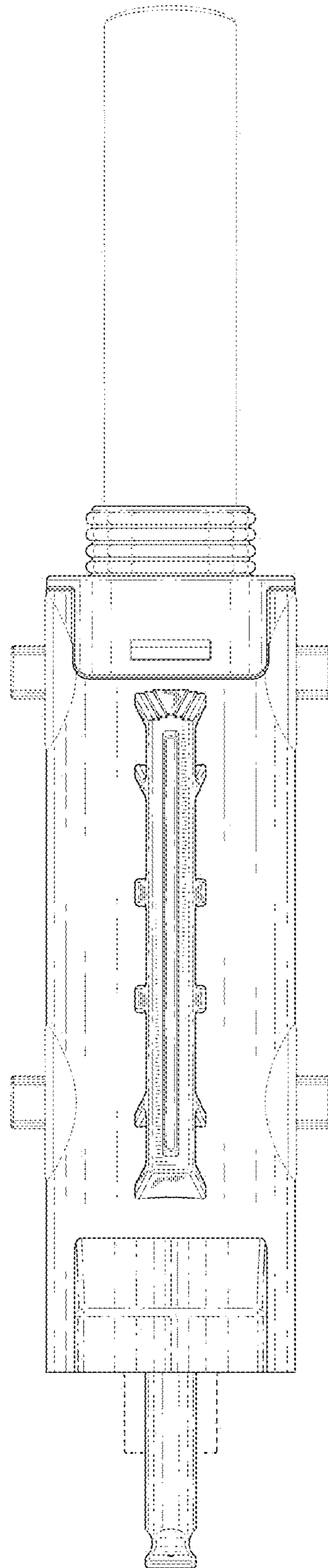


FIG. 4

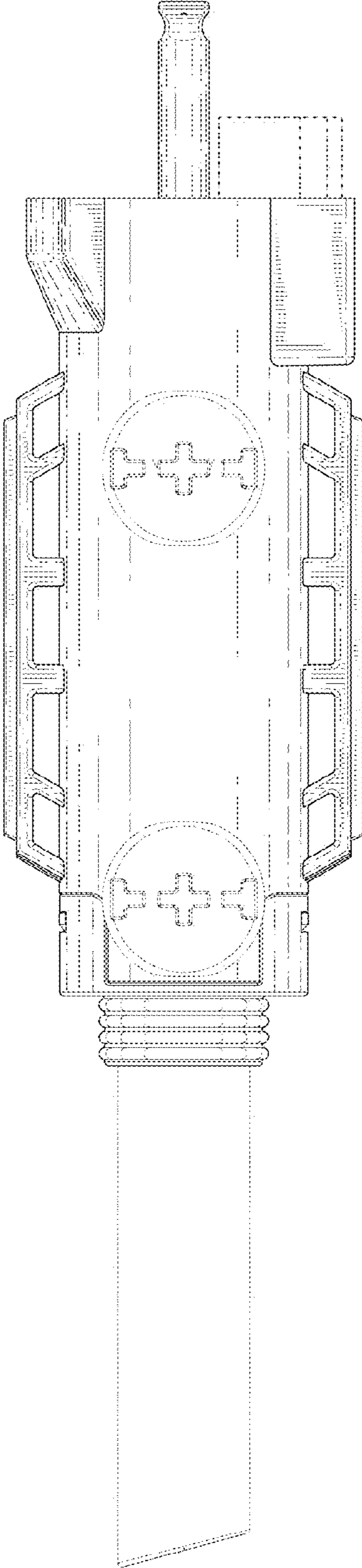


FIG. 5

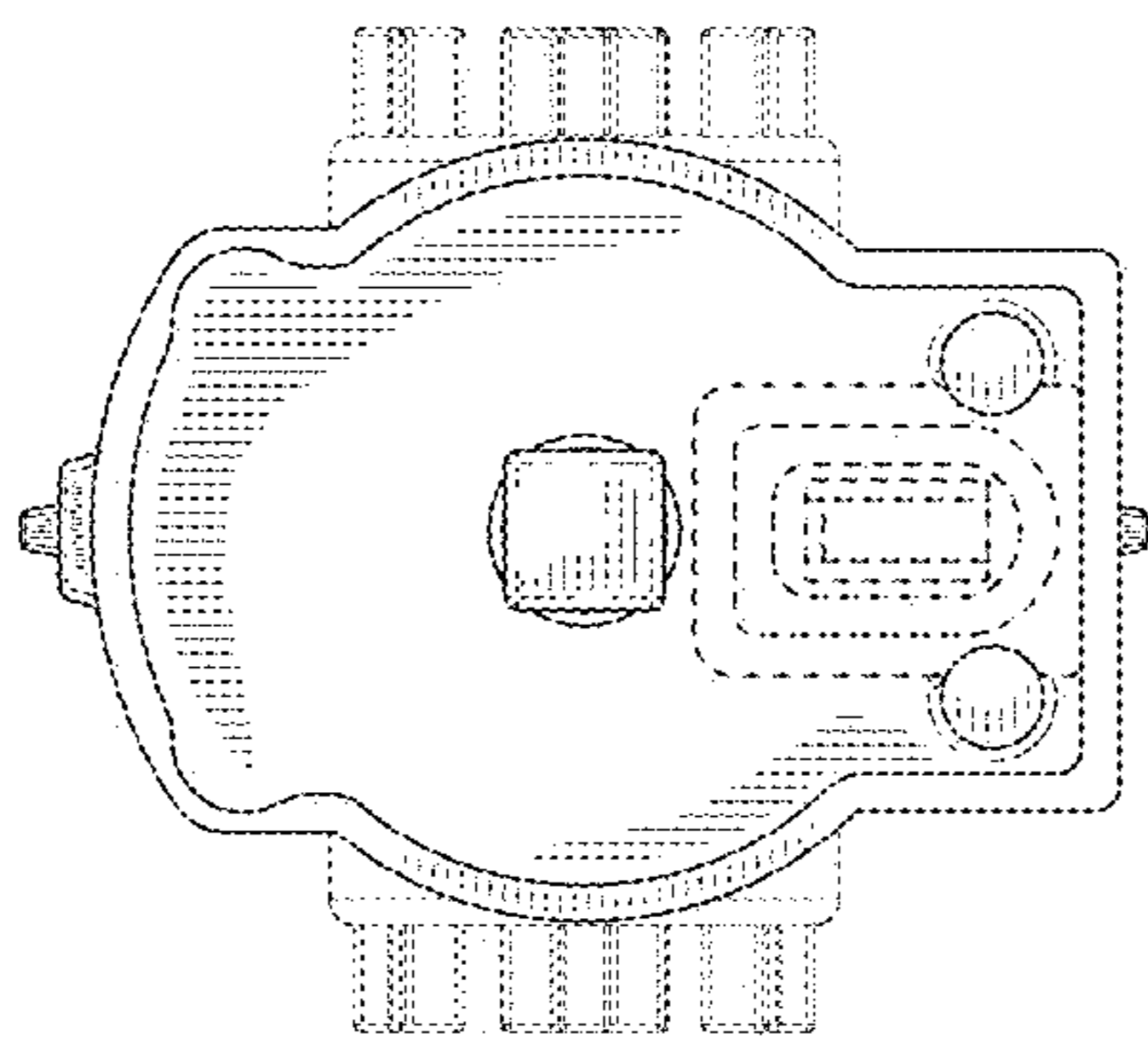


FIG. 7

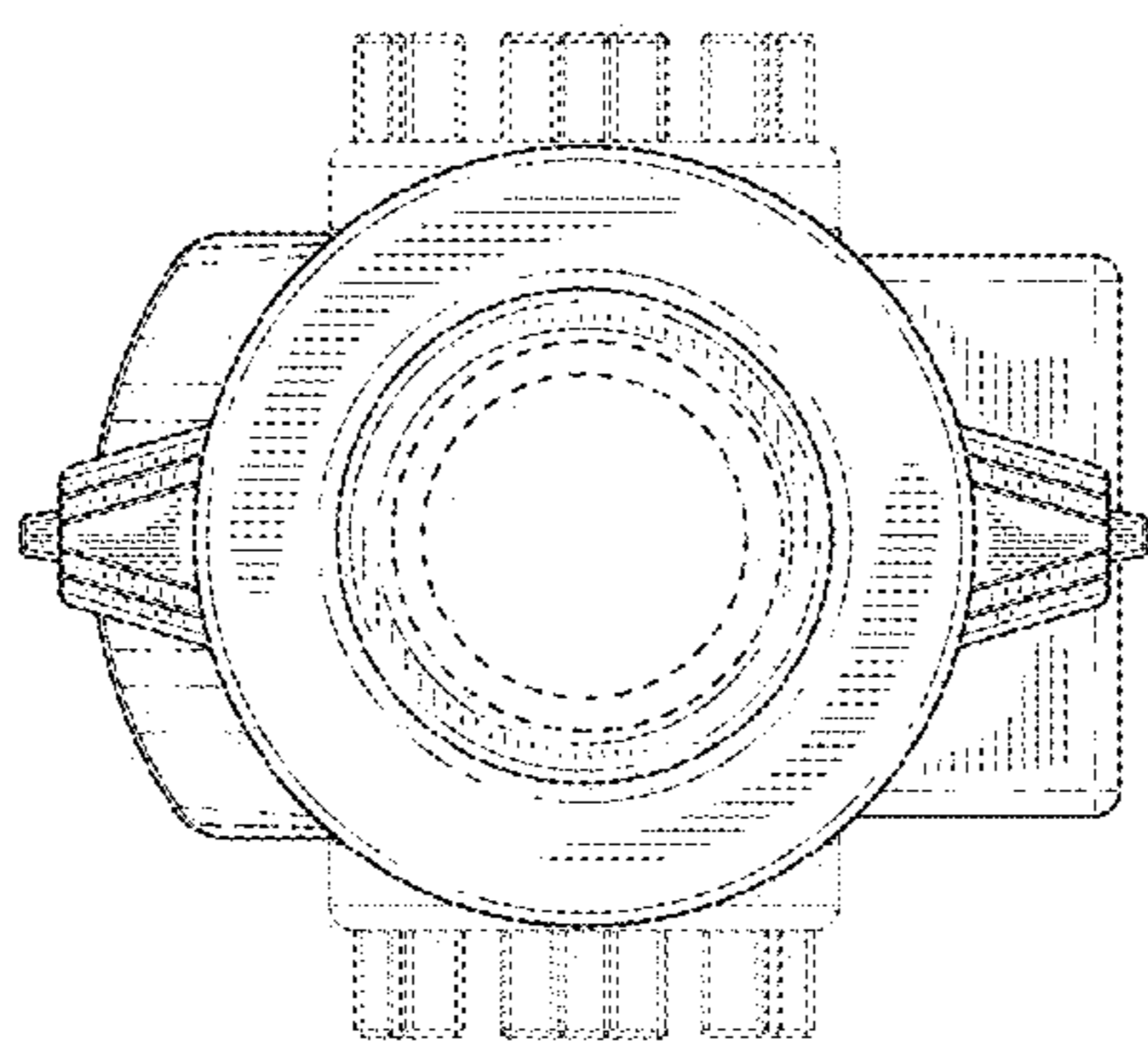


FIG. 6