



US00D752156S

(12) **United States Design Patent**
Armon et al.

(10) **Patent No.:** **US D752,156 S**
(45) **Date of Patent:** **** Mar. 22, 2016**

- (54) **ARCHITECTURAL COMPONENT**
- (71) Applicants: **Robert A. Armon**, Denver, CO (US);
Ryan Carter, Thornton, CO (US)
- (72) Inventors: **Robert A. Armon**, Denver, CO (US);
Ryan Carter, Thornton, CO (US)
- (73) Assignee: **Robert A. Armon**, Denver, CO (US)
- (**) Term: **14 Years**
- (21) Appl. No.: **29/512,257**
- (22) Filed: **Dec. 17, 2014**

- 3,380,253 A * 4/1968 Vita E02B 3/129
405/29
- 3,546,049 A * 12/1970 Kostick A47C 9/105
428/11
- D301,161 S * 5/1989 Dunse D21/707
- 5,190,403 A * 3/1993 Atkinson E02B 3/129
405/21
- D372,749 S * 8/1996 Klundt D21/707
- D378,536 S * 3/1997 Fireman D21/479
- D381,380 S * 7/1997 Fireman D21/707
- 5,908,342 A * 6/1999 Wolvin A63F 9/12
273/160
- 5,941,527 A * 8/1999 Selton A63F 3/00214
273/160
- D515,254 S * 2/2006 Jager 30/99
- D519,588 S * 4/2006 Carbonero D21/707
- D563,493 S * 3/2008 Nelson D21/707
- D568,424 S * 5/2008 Nelson D21/398
- D582,998 S * 12/2008 Chernick D21/398
- D672,398 S * 12/2012 Kondou D21/373
- D685,034 S * 6/2013 Naum D21/398
- 8,608,600 B2 * 12/2013 Naum A63B 43/00
473/576
- 9,115,738 B2 * 8/2015 Martinez A63H 33/084

Related U.S. Application Data

- (62) Division of application No. 29/446,000, filed on Feb. 19, 2013, now Pat. No. Des. 722,389.
- (51) **LOC (10) Cl.** **21-01**
- (52) **U.S. Cl.**
USPC **D21/484**
- (58) **Field of Classification Search**
USPC D25/106, 113; D21/468, 483, 488, 493,
D21/494, 496, 498, 502, 503, 707, 713,
D21/714; D11/1, 17; D32/35, 40
CPC A63H 33/00; A63H 33/04; A63H 33/048;
A63H 33/08; A63H 33/088; A63H 33/108;
A63H 3/00; A63H 3/02
See application file for complete search history.

References Cited

U.S. PATENT DOCUMENTS

- (56) 1,099,159 A * 6/1914 Banic A63F 9/12
273/160
- 1,268,470 A * 6/1918 Johnson A61J 17/02
601/139
- D206,120 S * 11/1966 Johnson D12/215

* cited by examiner

Primary Examiner — Cynthia M Chin

(74) *Attorney, Agent, or Firm* — Sheridan Ross PC

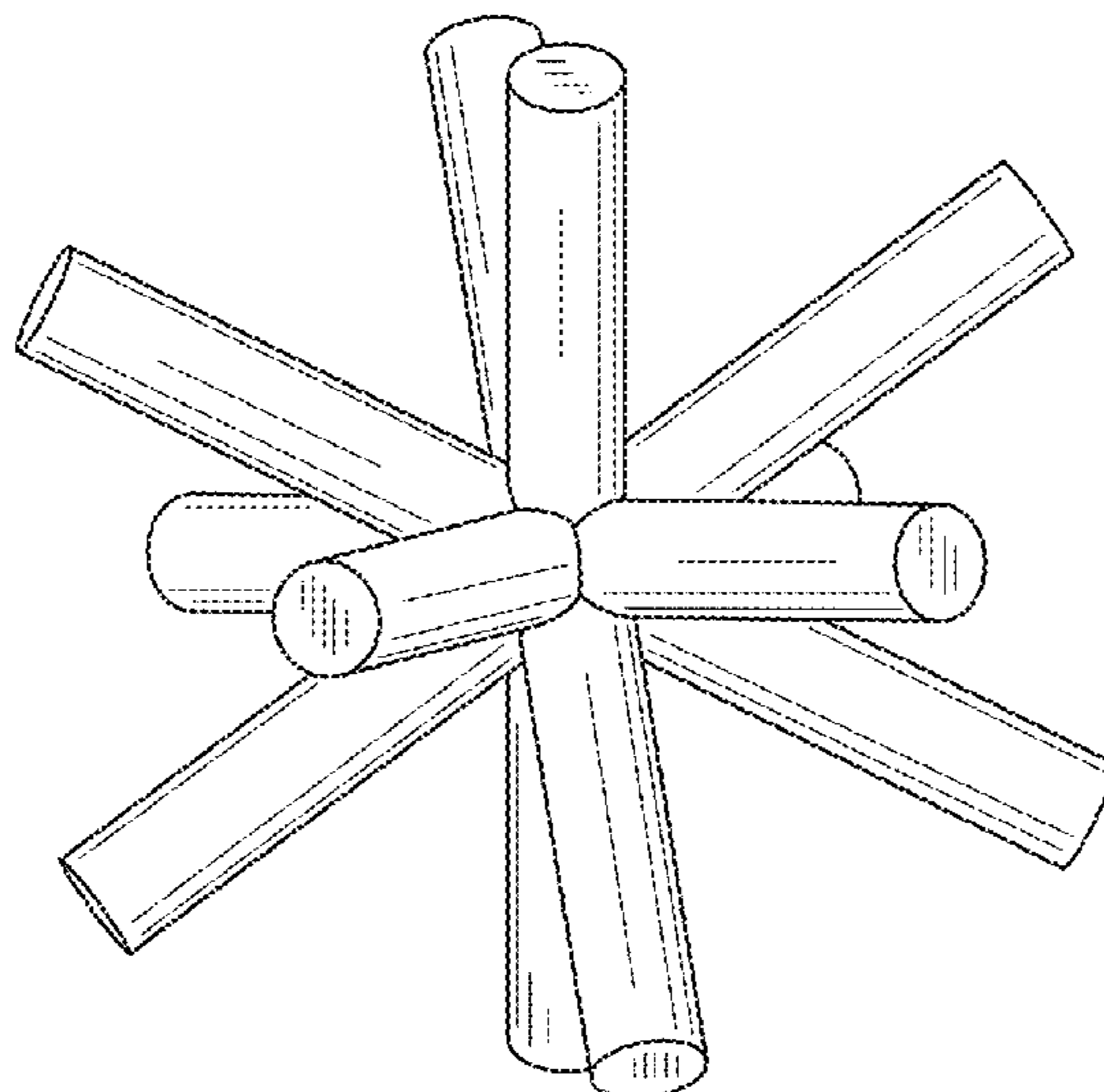
(57) **CLAIM**

The ornamental design for an architectural component, as shown and described.

DESCRIPTION

FIG. 1 is a perspective view of an architectural component; FIG. 2 is a front elevation view thereof; FIG. 3 is a right elevation view thereof; FIG. 4 is a left elevation view thereof; FIG. 5 is a rear elevation view thereof; FIG. 6 is a top plan view thereof; and, FIG. 7 is a bottom plan view thereof.

1 Claim, 4 Drawing Sheets



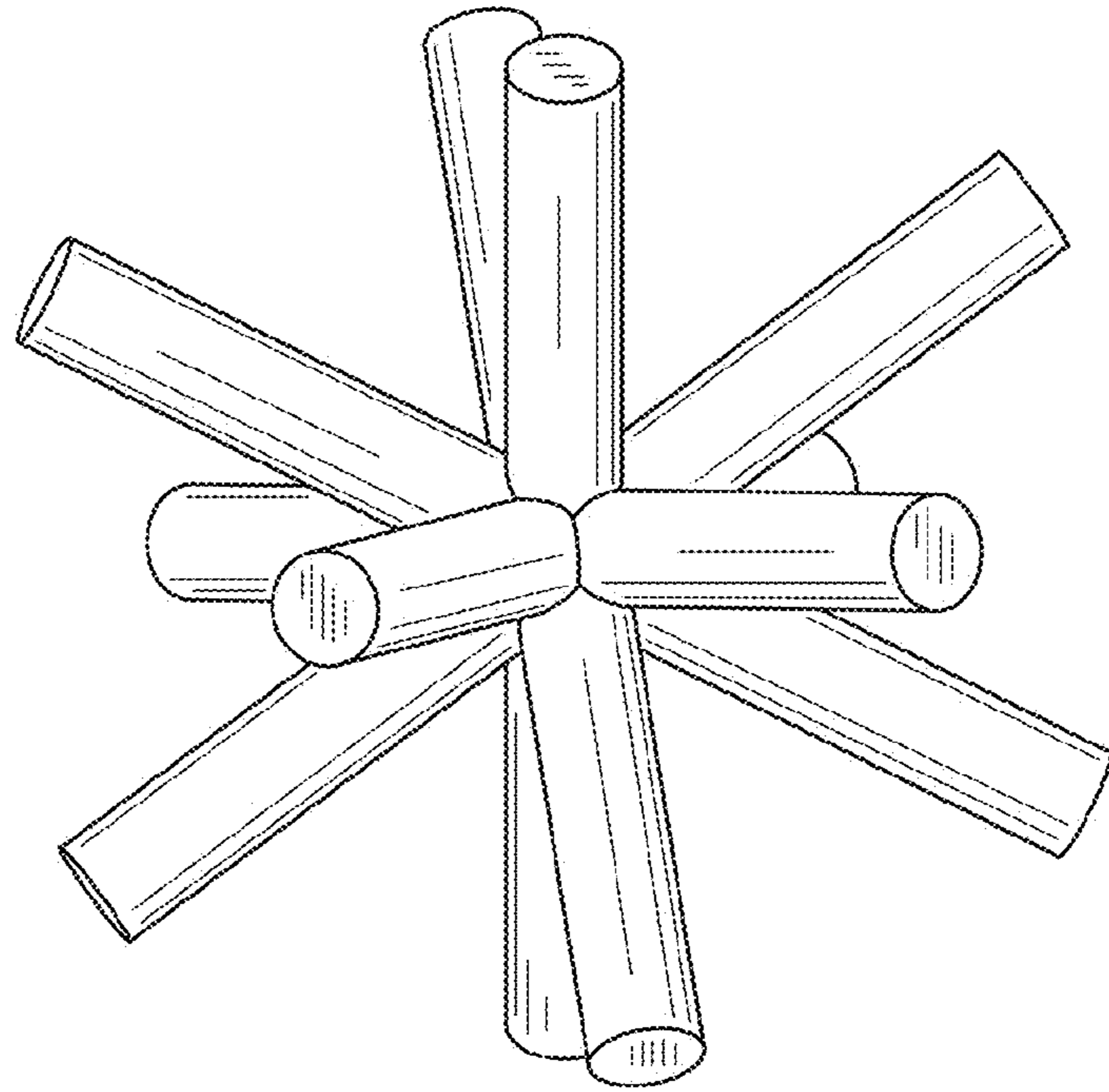


FIG.1

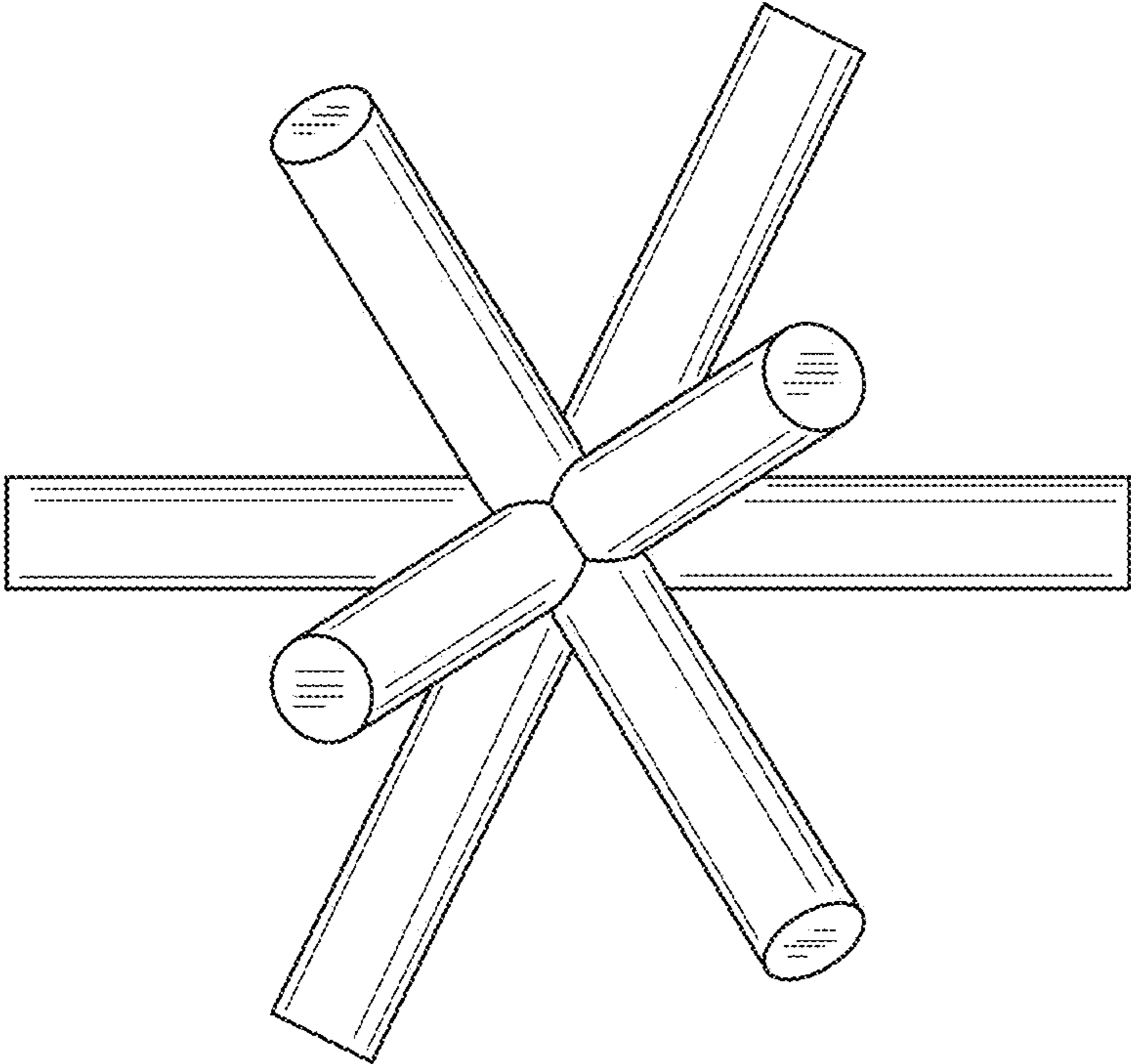


FIG. 2

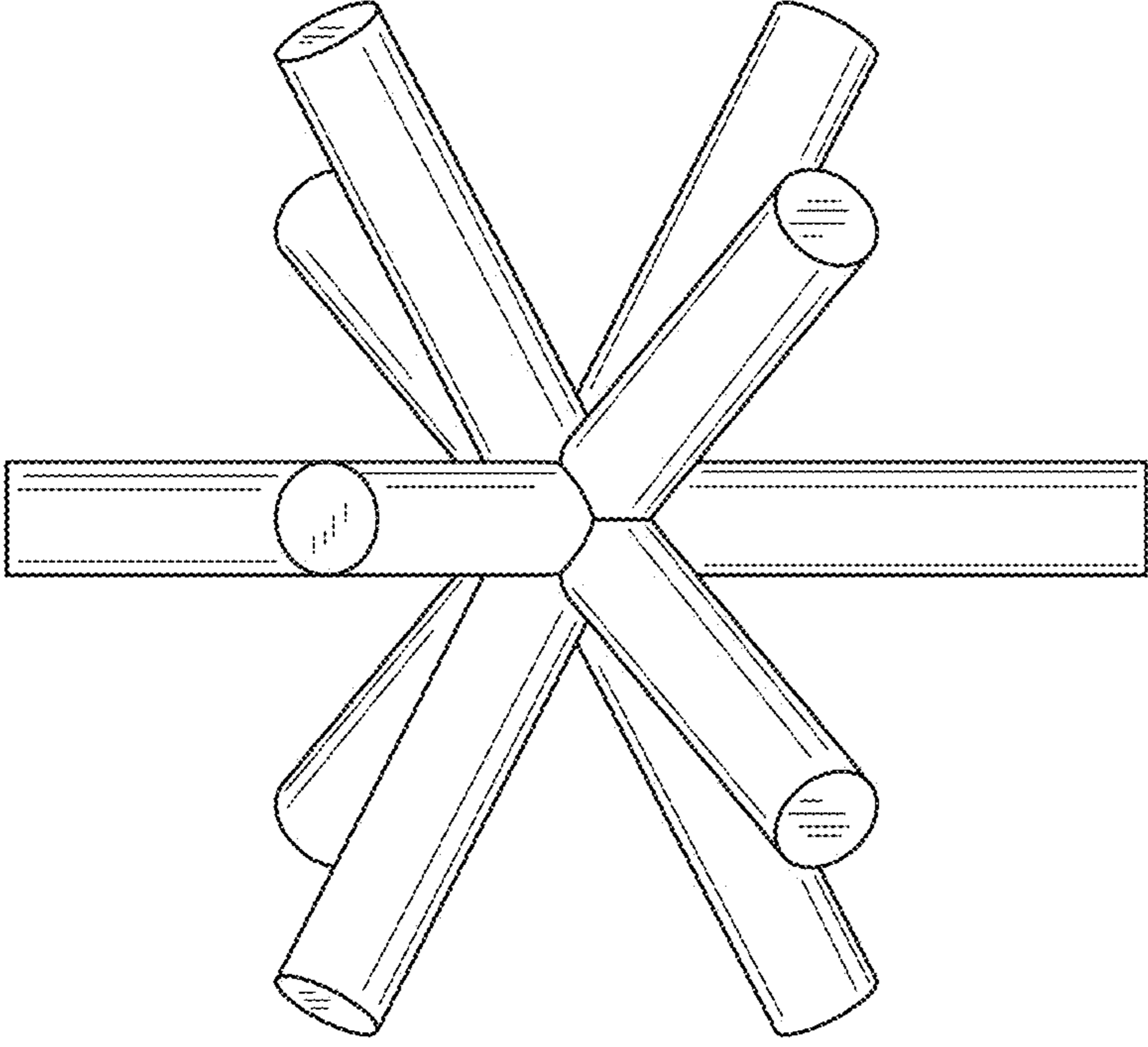


FIG. 3

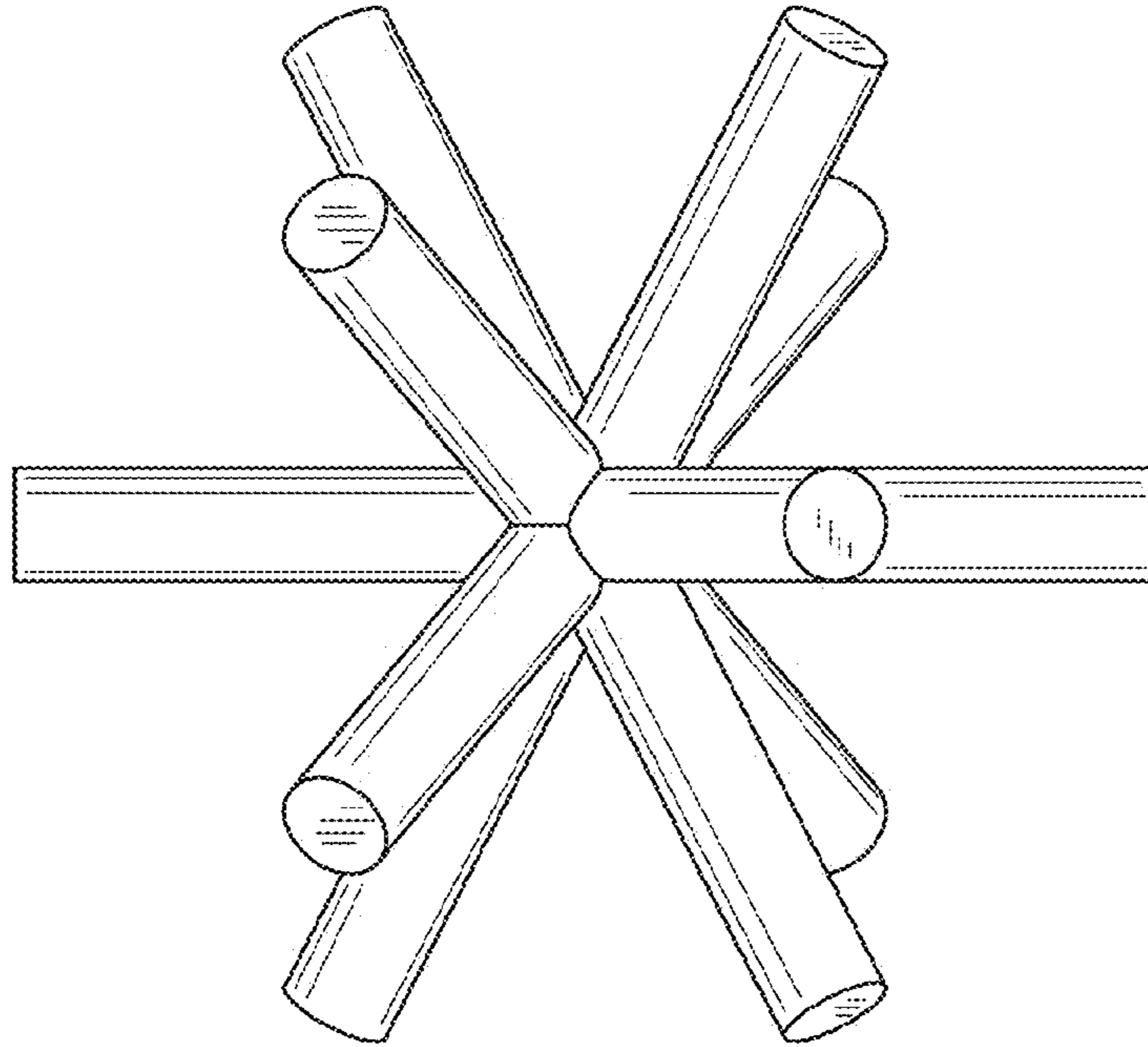


FIG. 5

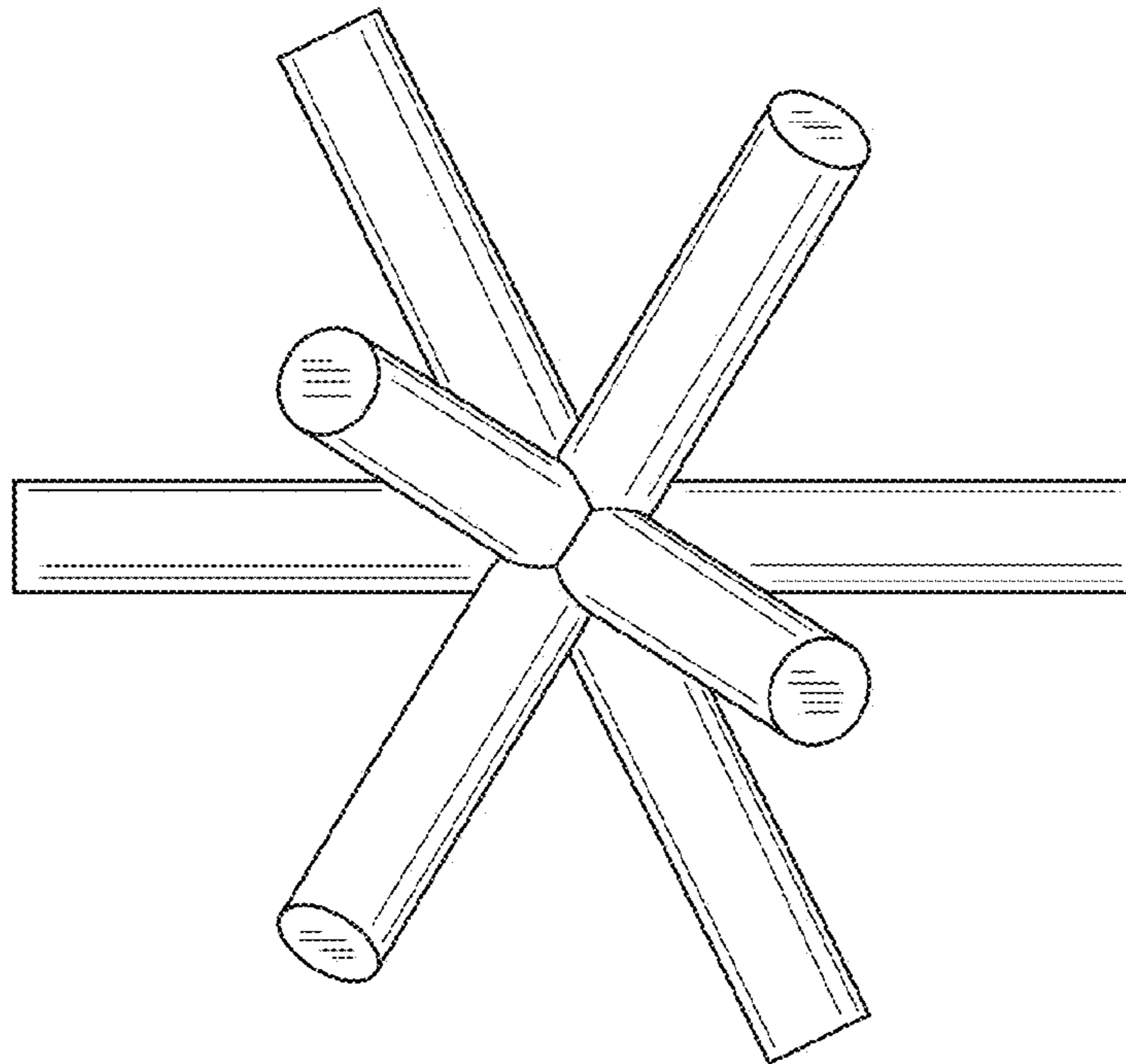


FIG. 4

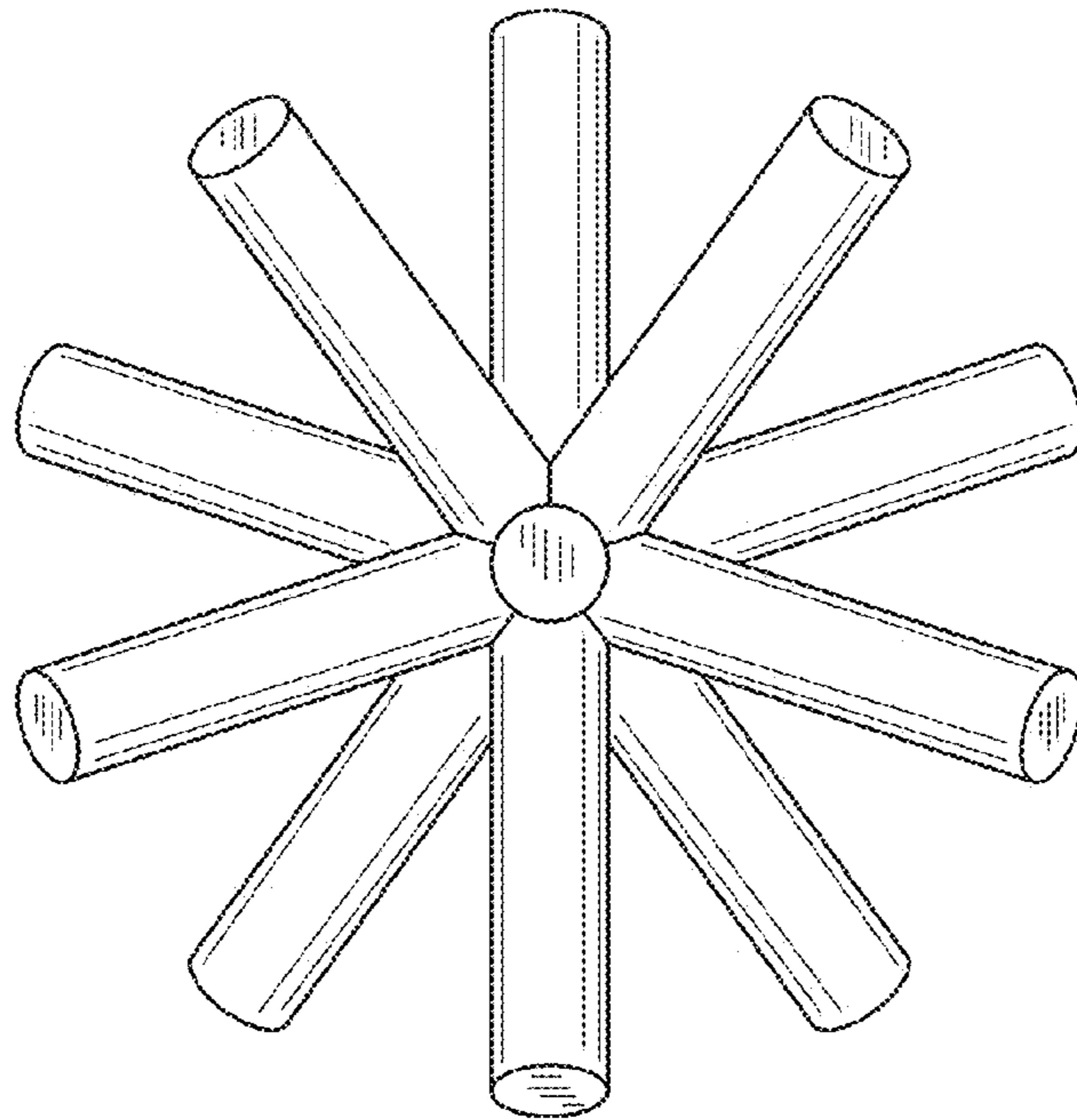


FIG. 6

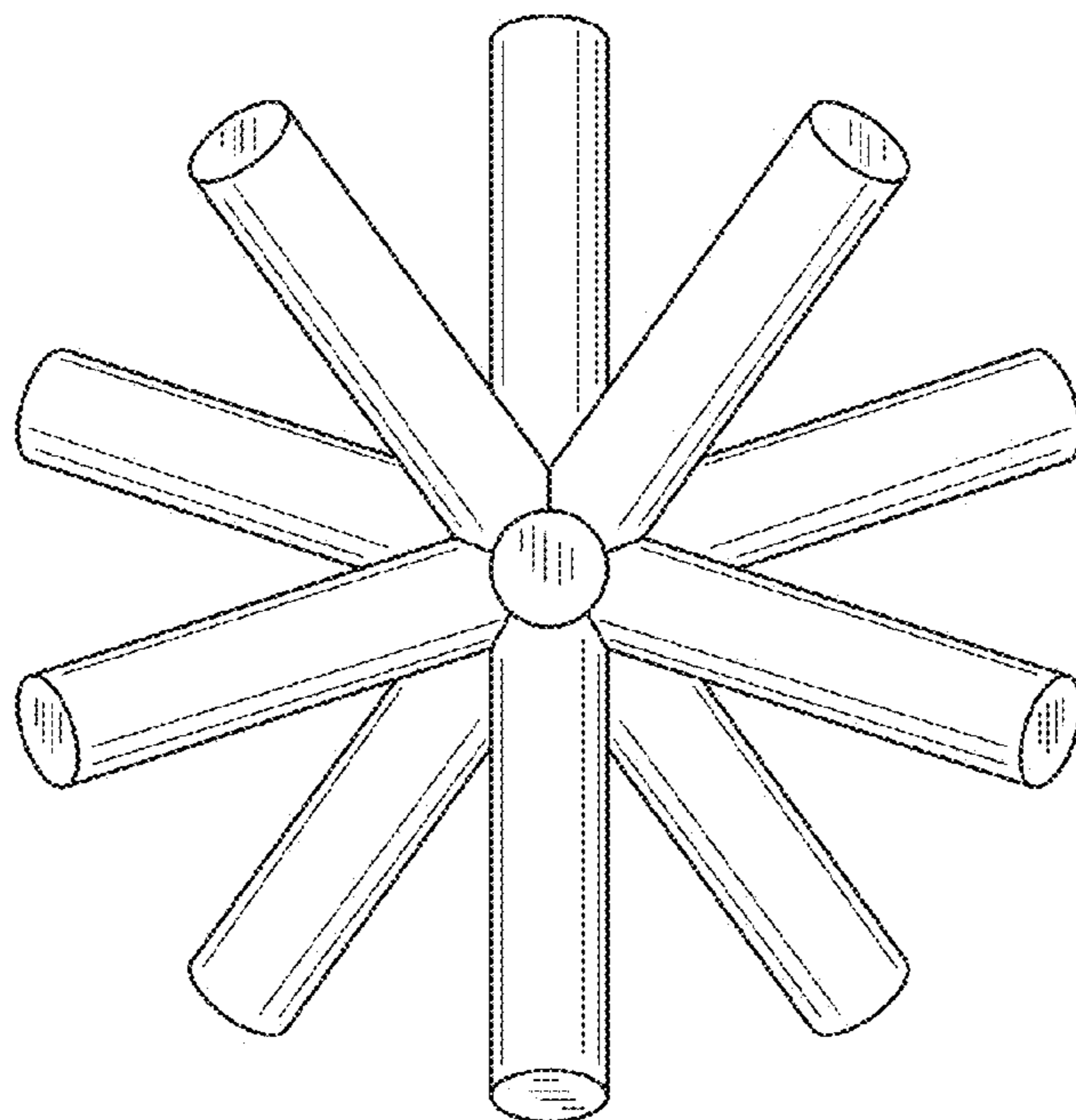


FIG. 7